



US00D804959S

(12) **United States Design Patent** (10) **Patent No.:** **US D804,959 S**
Anda (45) **Date of Patent:** **** Dec. 12, 2017**

(54) **BAG WITH COMPARTMENTS**

(71) Applicant: **Zip Spacers, Inc.**, Miami, FL (US)

(72) Inventor: **Roberto Anda**, Miami, FL (US)

(73) Assignee: **Zip Spacers, Inc.**, Miami, FL (US)

(**) Term: **15 Years**

(21) Appl. No.: **29/567,920**

(22) Filed: **Jun. 14, 2016**

(51) **LOC (10) Cl.** **09-05**

(52) **U.S. Cl.**
 USPC **D9/705**

(58) **Field of Classification Search**
 USPC D9/702-714, 414-415, 417-418, 737,
 D9/424, 430-433, 730-732, 756, 761;
 D7/549, 553.2, 590, 602; D3/201, 203.1,
 D3/203.3, 303, 202; 206/527, 4.27, 807,
 206/260, 811, 103, 203, 207; 220/23.4,
 220/500, 666; 229/120.02, 120.011,
 229/87.06; 426/114-115, 119, 120;
 222/92, 107, 215, 206
 CPC B65D 85/00; B65D 75/00; B65D 33/00;
 B65D 33/04; B65D 33/24; B65D 33/16;
 B65D 33/12; B65D 33/008; B65D 25/04
 See application file for complete search history.

D694,651 S * 12/2013 Sam D9/709
 D739,263 S * 9/2015 Sam D9/709
 D741,197 S * 10/2015 Sam D9/709
 D783,416 S * 4/2017 Bray D9/709
 D784,158 S * 4/2017 Bray D9/709
 D784,159 S * 4/2017 Bray D9/709

* cited by examiner

Primary Examiner — Abraham Bahta
 (74) *Attorney, Agent, or Firm* — Sanchelima &
 Associates, P.A.; Christian Sanchelima, Esq.; Jesus
 Sanchelima, Esq.

(57) **CLAIM**

The ornamental design for a bag with compartments, as shown and described.

DESCRIPTION

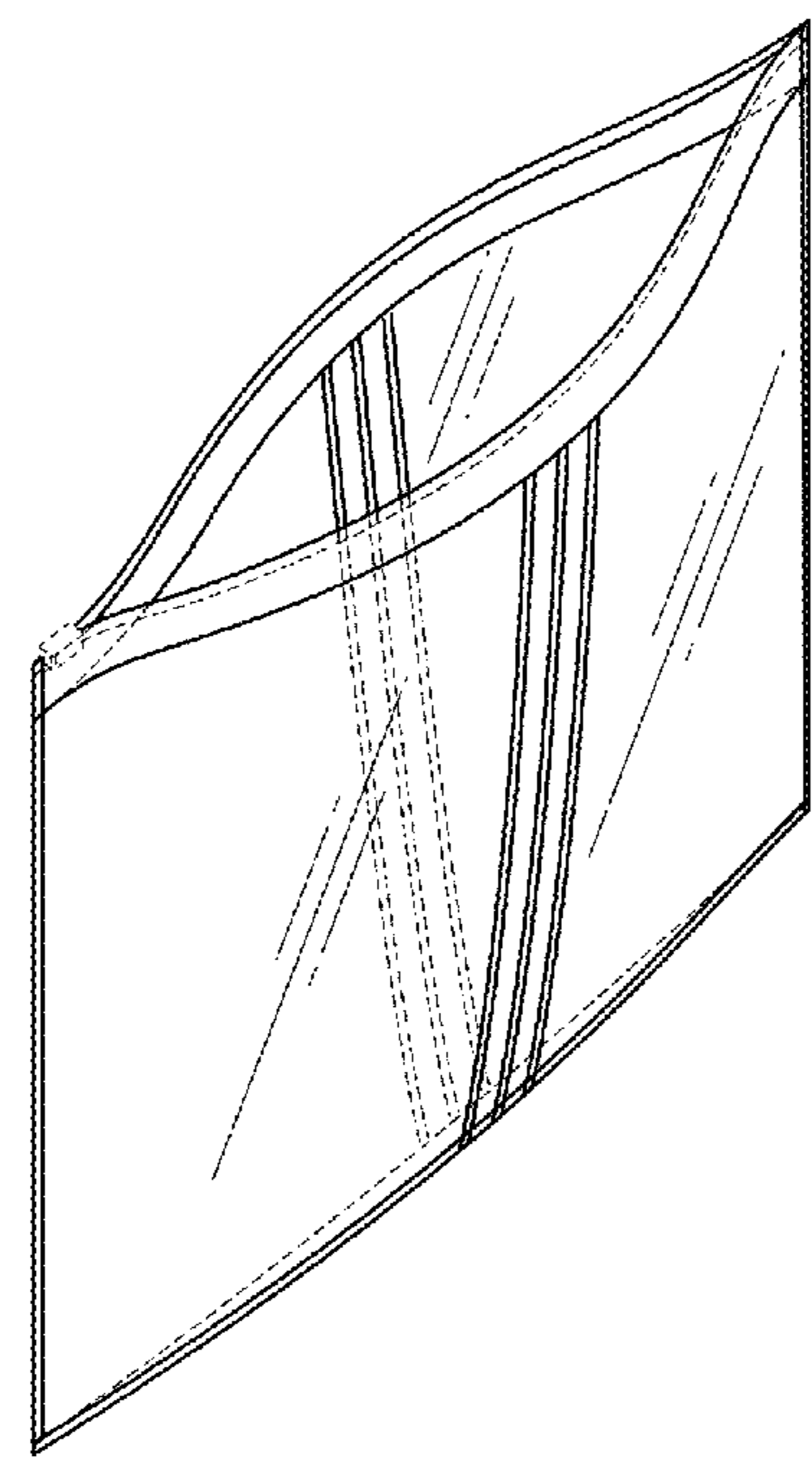
FIG. 1 is an isometric view of a bag with compartments showing my new design;
 FIG. 2 is a isometric view of the bag showing the two compartments thereof;
 FIG. 3 is a front elevational view thereof;
 FIG. 4 is a rear elevational view thereof;
 FIG. 5 is a right side elevational view thereof;
 FIG. 6 is a left side elevational view thereof;
 FIG. 7 is a top plan view thereof;
 FIG. 8 is a bottom plan view thereof;
 FIG. 9 is an isometric view of the bag showing the two compartments with items thereof; and,
 FIG. 10 is an isometric view of the bag showing the two compartments with the bottom closed thereof.
 No claim is made to the fastening member shown in broken lines, it is shown for illustrative purposes only.

(56) **References Cited**

U.S. PATENT DOCUMENTS

D483,256 S * 12/2003 Thurston D9/663
 D563,241 S * 3/2008 Nimey D9/705
 D601,038 S * 9/2009 Middleton-Schluter D9/709
 D613,615 S * 4/2010 Hedstrom D9/702
 D660,179 S * 5/2012 Bray D9/707

1 Claim, 4 Drawing Sheets



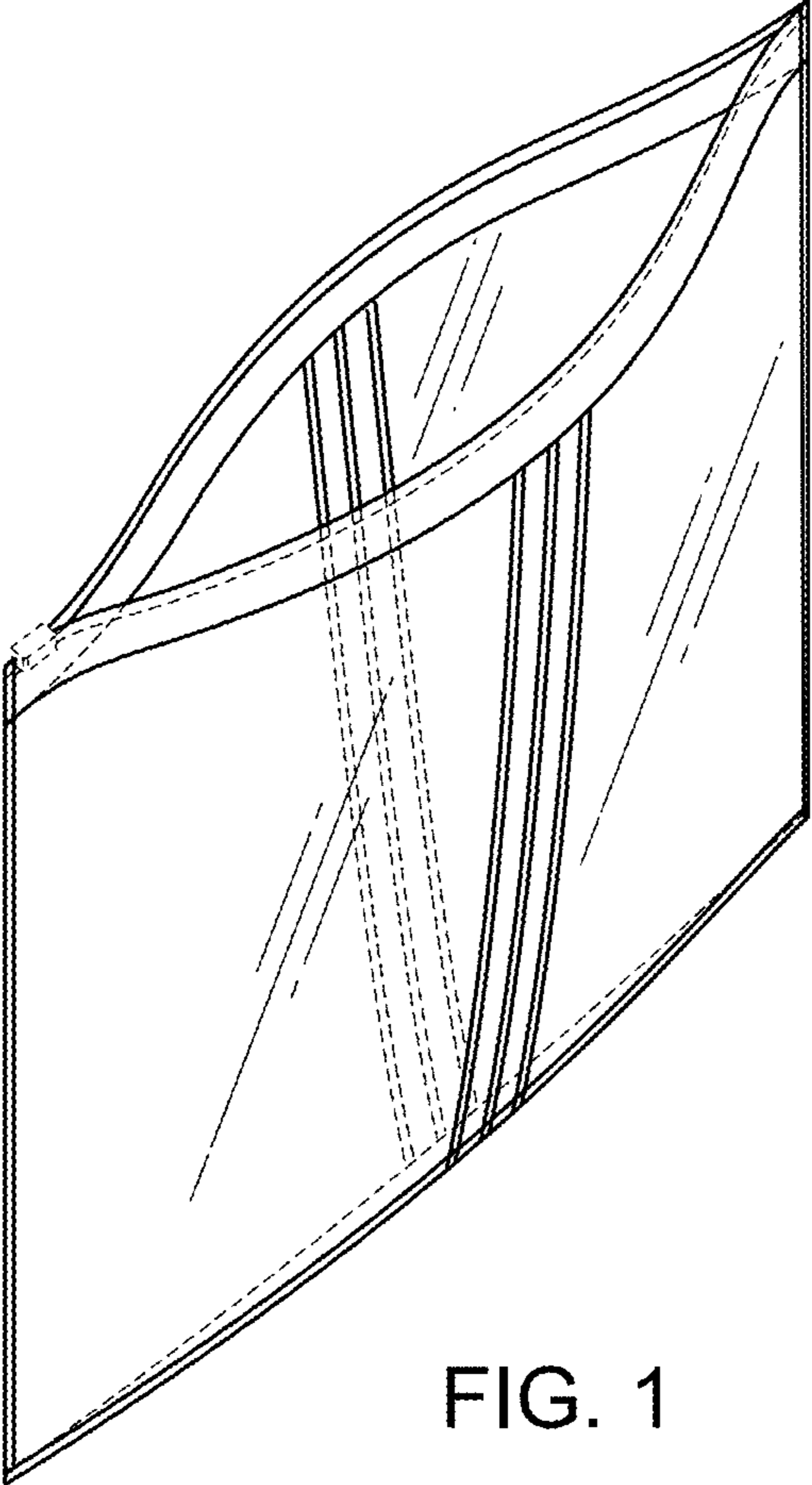


FIG. 1

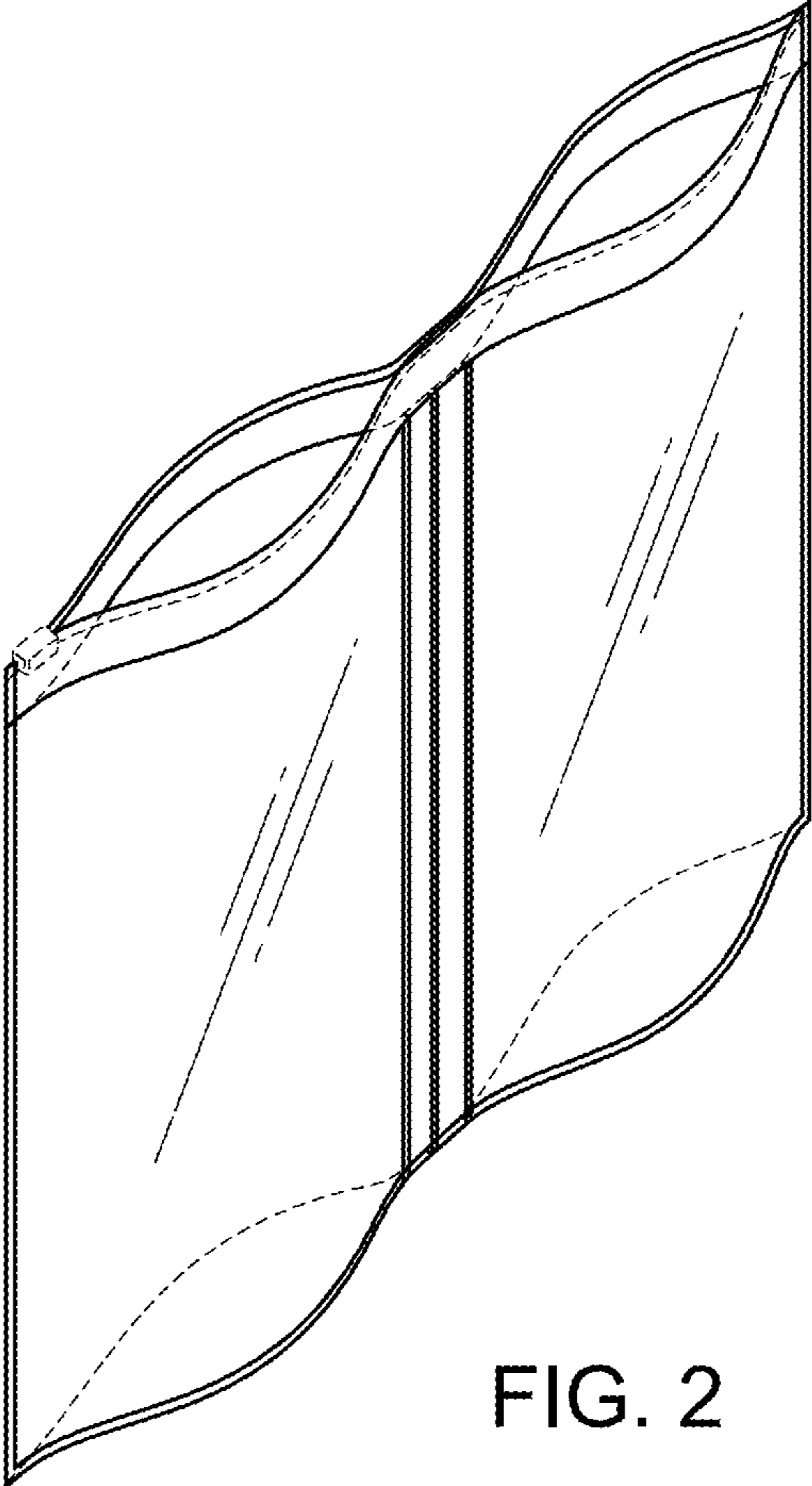


FIG. 2

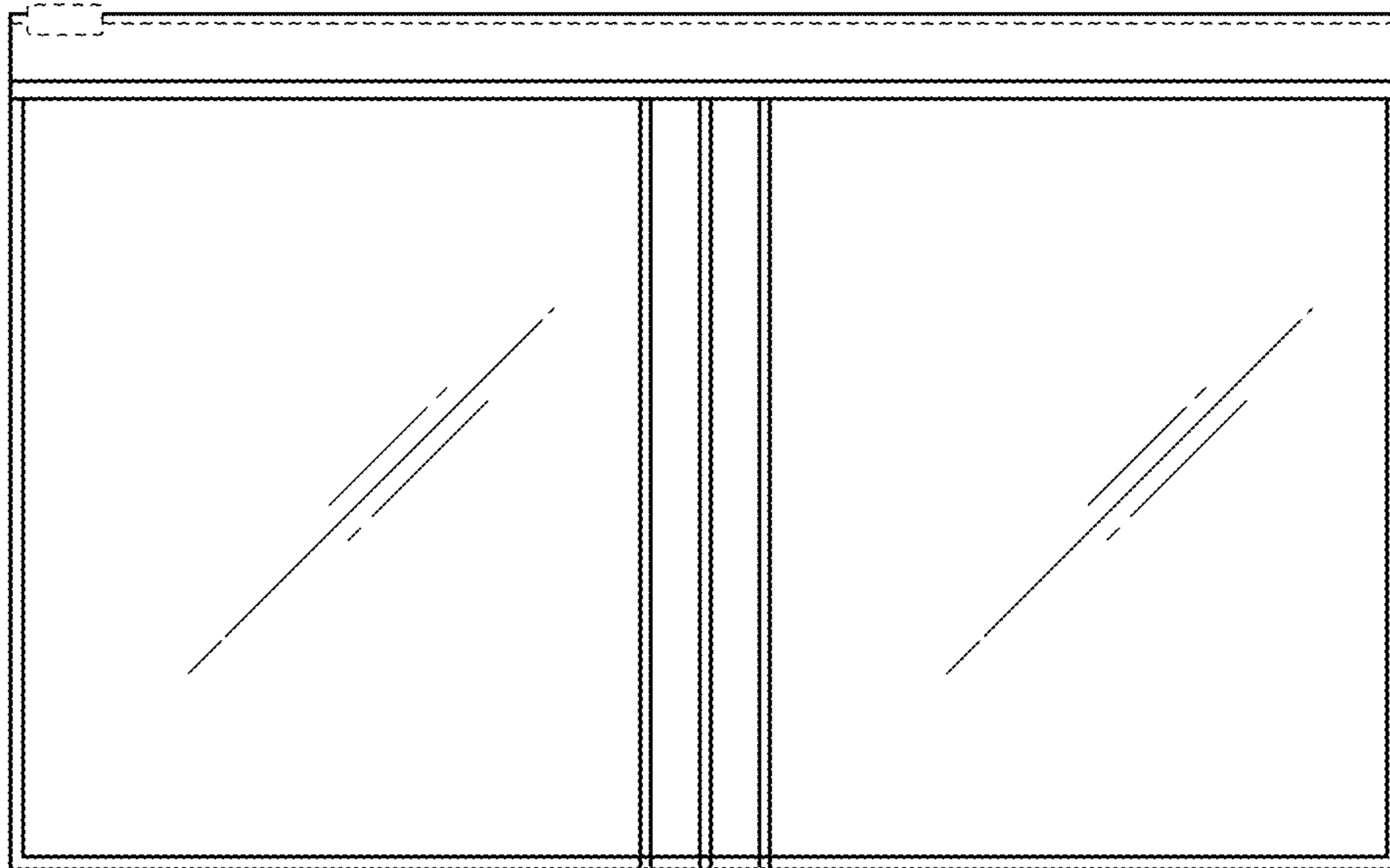


FIG. 3

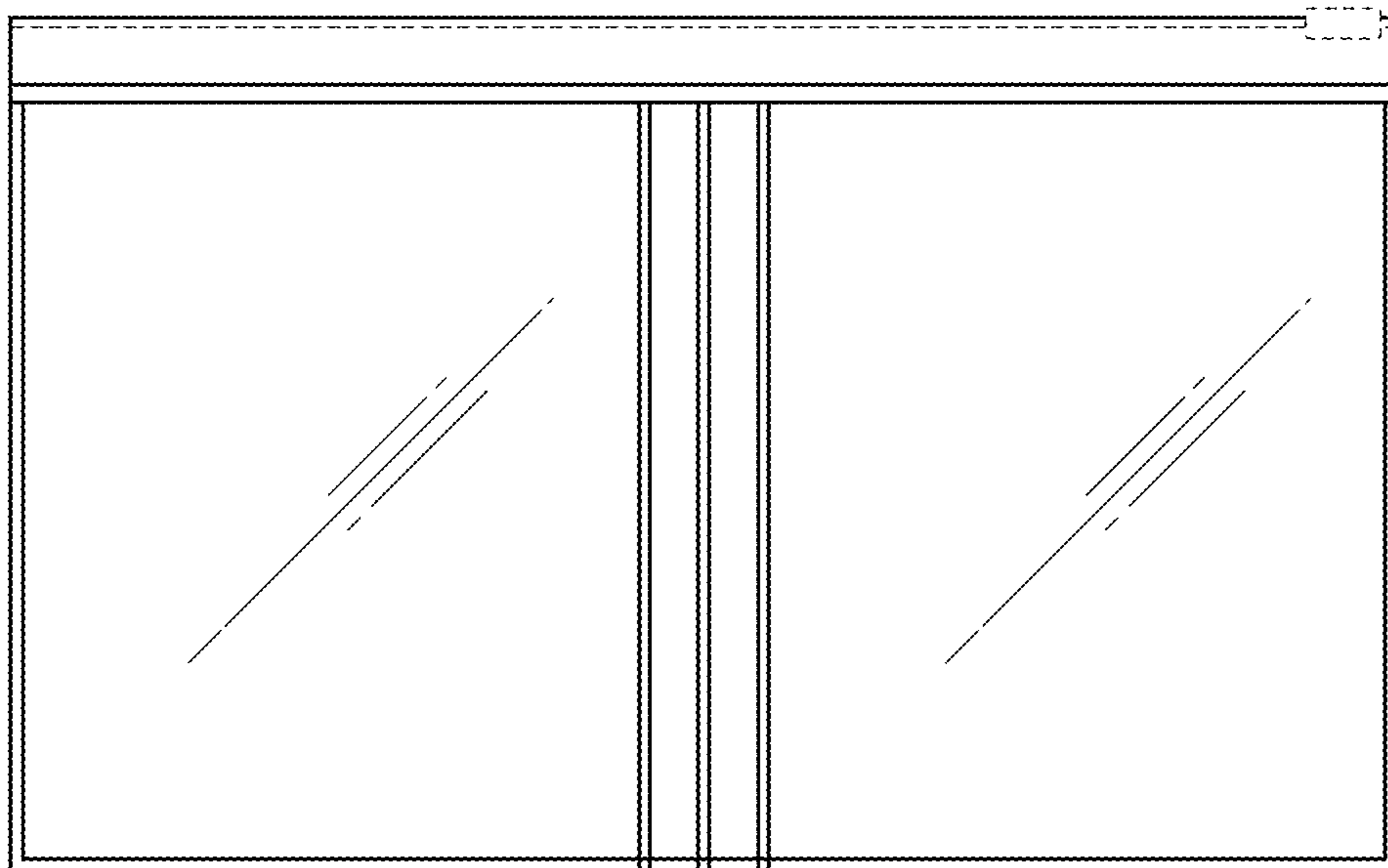


FIG. 4



FIG. 5



FIG. 6

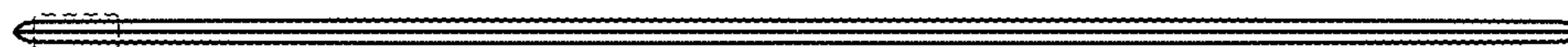


FIG. 7

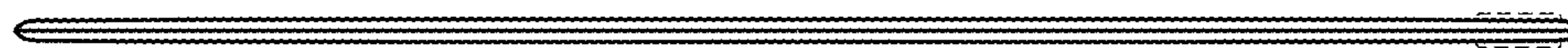


FIG. 8

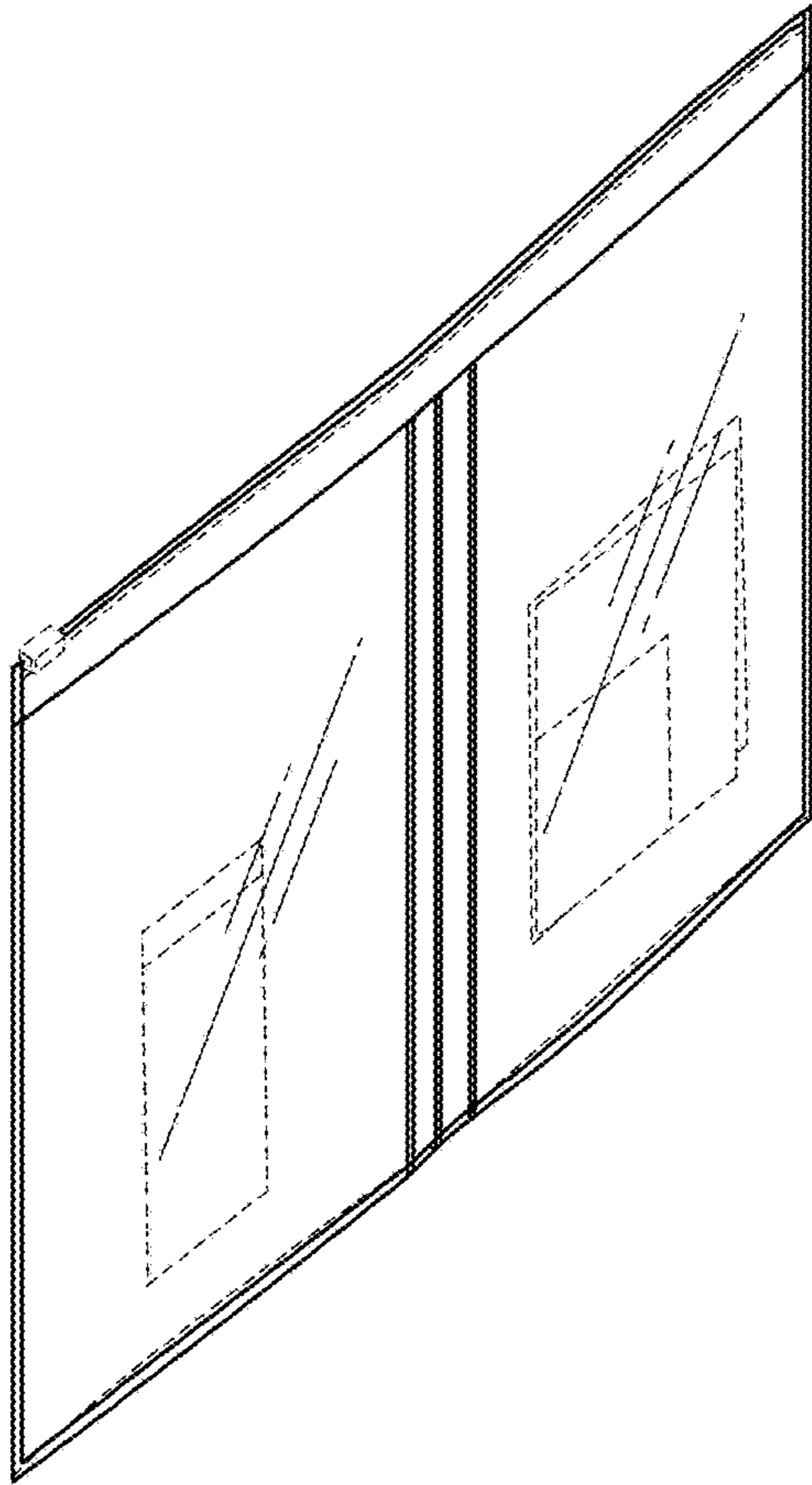


FIG. 9

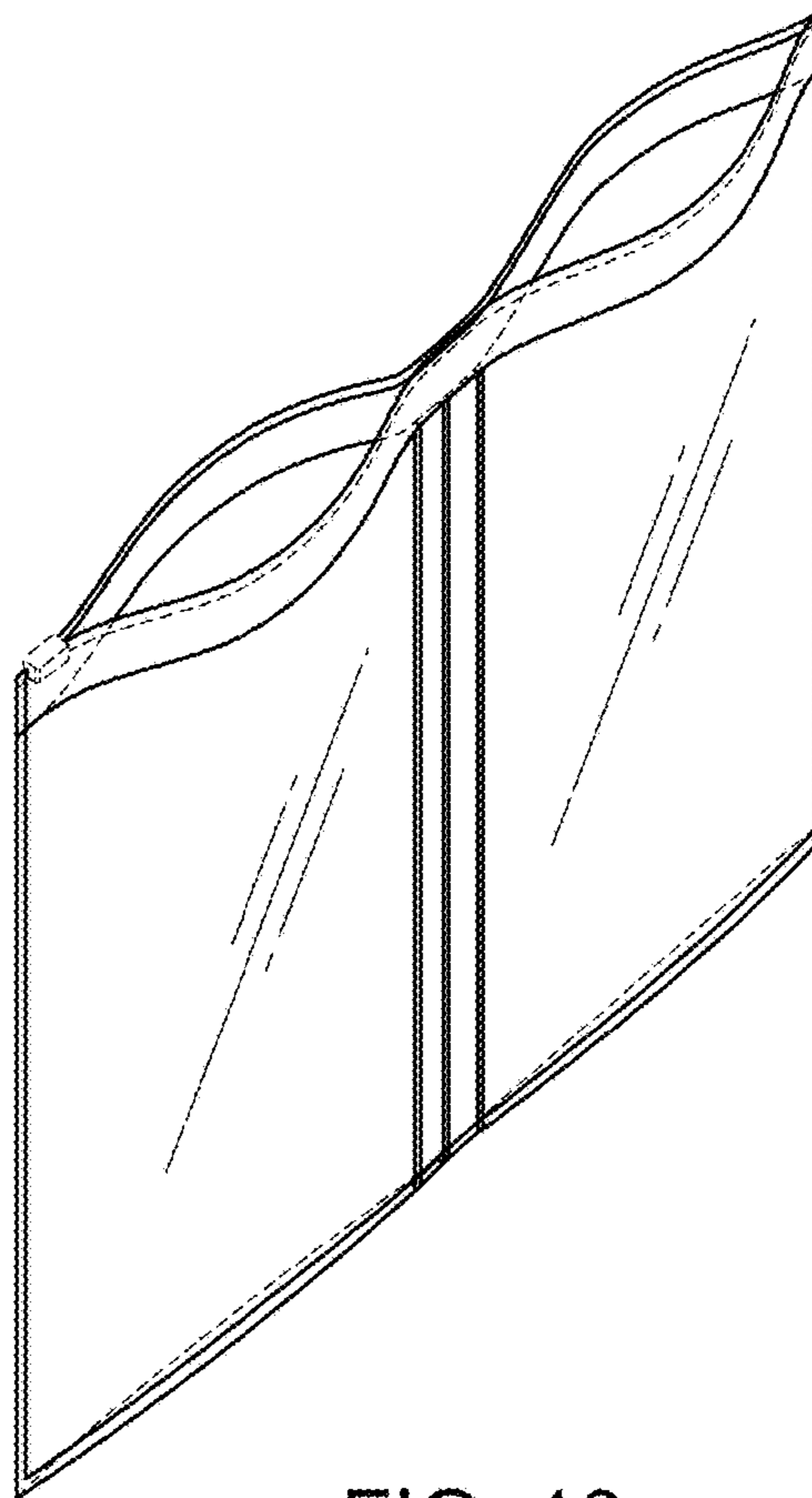


FIG. 10