

US00D804954S

(12) **United States Design Patent**  
**Staab et al.**

(10) **Patent No.:** **US D804,954 S**

(45) **Date of Patent:** **\*\* Dec. 12, 2017**

(54) **BOTTLE**

(71) Applicant: **Mary Kay Inc.**, Addison, TX (US)

(72) Inventors: **Jenny DeMarco Staab**, Frisco, TX (US); **Oscar Garcia**, Addison, TX (US)

(73) Assignee: **Mary Kay Inc.**, Addison, TX (US)

(\*\*) Term: **15 Years**

(21) Appl. No.: **29/558,876**

(22) Filed: **Mar. 22, 2016**

(51) **LOC (10) Cl.** ..... **09-01**

(52) **U.S. Cl.**

USPC ..... **D9/560**; D9/448

(58) **Field of Classification Search**

USPC ..... D4/116; D6/515, 516, 542–545;  
D7/300–322, 391–396.2, 509–511, 523,

(Continued)

(56) **References Cited**

**U.S. PATENT DOCUMENTS**

D72,687 S 5/1927 Vionnet ..... D9/560  
3,021,977 A 2/1963 Hester ..... 220/718

(Continued)

**FOREIGN PATENT DOCUMENTS**

MX D7818 6/1995  
MX D22243 1/2007

(Continued)

**OTHER PUBLICATIONS**

“The Spirit of the 80’s—Esprit d’Oscar by Oscar de la Renta Perfume Review.” thecandyperfumeboy.com. Jul. 11, 2011. Accessed Aug. 21, 2017. Available online at URL: <https://thecandyperfumeboy.com/2011/07/11/the-spirit-of-the-80s-esprit-doscar-by-oscar-de-la-renta-perfume-review/>.\*

(Continued)

*Primary Examiner* — Cathron C Brooks

*Assistant Examiner* — Christian P. McLean

(74) *Attorney, Agent, or Firm* — Norton Rose Fulbright US LLP

(57) **CLAIM**

We claim the ornamental design for a bottle, as shown and described.

**DESCRIPTION**

FIG. 1 is a top perspective view of a first embodiment of our design illustrating a bottle;

FIG. 2 is a front view of the bottle shown in FIG. 1;

FIG. 3 is a back view of the bottle shown in FIG. 1;

FIG. 4 is a right side view of the bottle shown in FIG. 1;

FIG. 5 is a left side view of the bottle shown in FIG. 1;

FIG. 6 is a top view of the bottle shown in FIG. 1;

FIG. 7 is a bottom view of the bottle shown in FIG. 1;

FIG. 8 is a top perspective view of a second embodiment of our design illustrating a bottle;

FIG. 9 is a front view of the bottle shown in FIG. 8;

FIG. 10 is a back view of the bottle shown in FIG. 8;

FIG. 11 is a right side view of the bottle shown in FIG. 8;

FIG. 12 is a left side view of the bottle shown in FIG. 8;

FIG. 13 is a top view of the bottle shown in FIG. 8;

FIG. 14 is a bottom view of the bottle shown in FIG. 8;

FIG. 15 is a top perspective view of a third embodiment of our design illustrating a bottle;

FIG. 16 is a front view of the bottle shown in FIG. 15;

FIG. 17 is a back view of the bottle shown in FIG. 15;

FIG. 18 is a right side view of the bottle shown in FIG. 15;

FIG. 19 is a left side view of the bottle shown in FIG. 15;

FIG. 20 is a top view of the bottle shown in FIG. 15;

FIG. 21 is a bottom view of the bottle shown in FIG. 15;

FIG. 22 is a top perspective view of a fourth embodiment of our design illustrating a bottle;

FIG. 23 is a front view of the bottle shown in FIG. 22;

FIG. 24 is a back view of the bottle shown in FIG. 22;

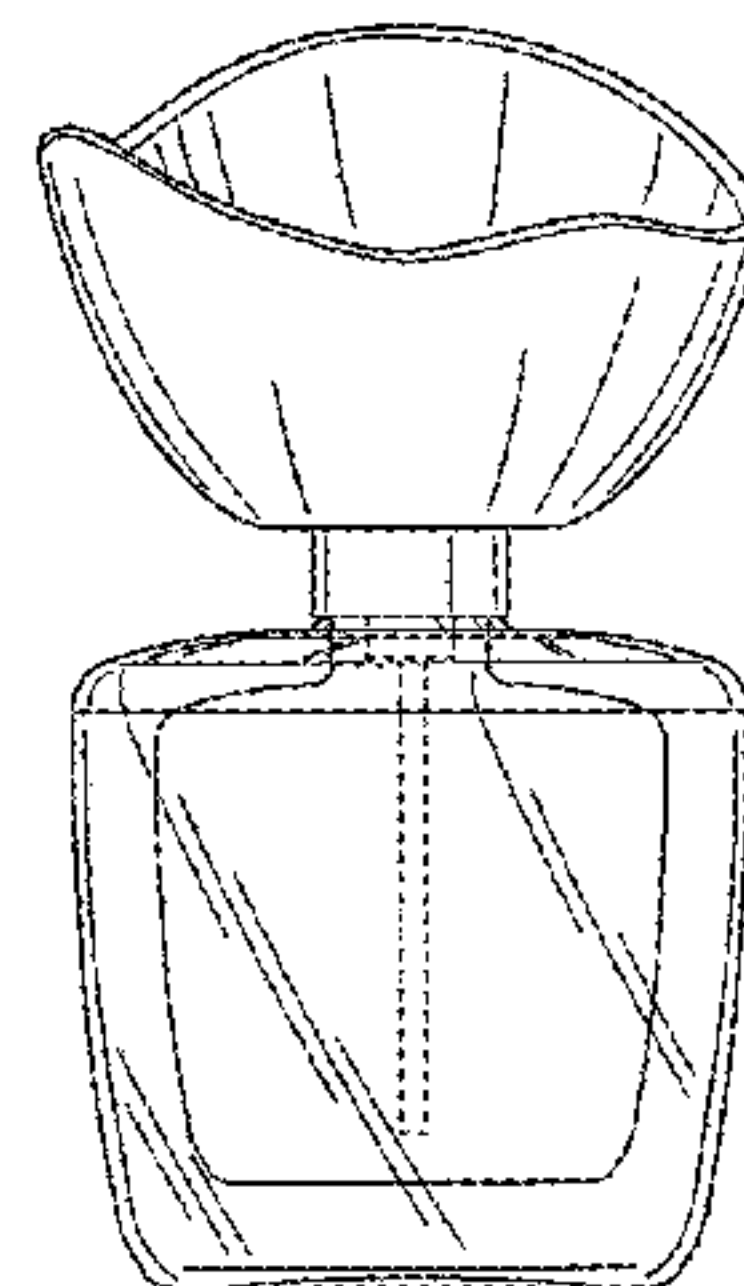
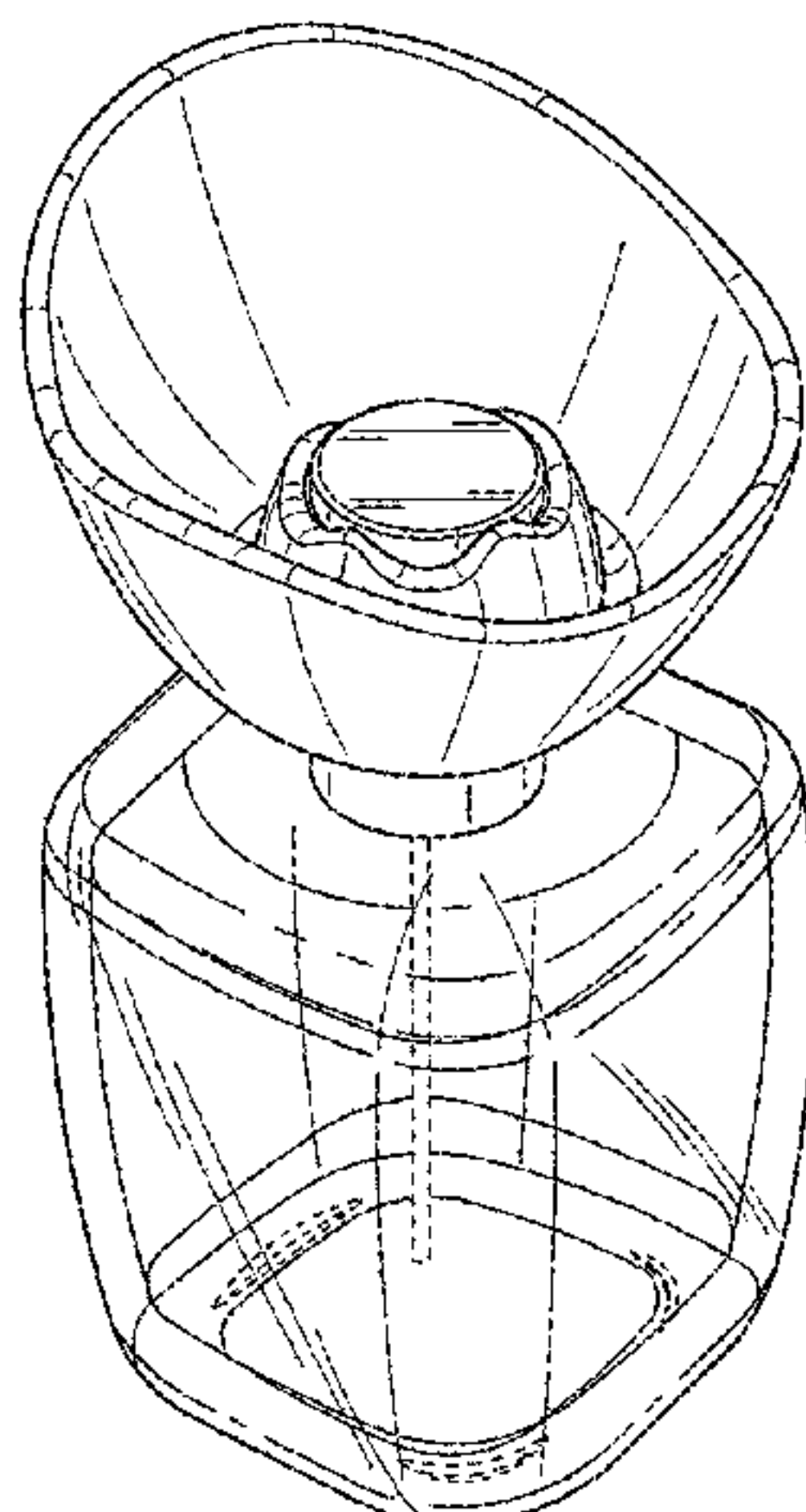
FIG. 25 is a right side view of the bottle shown in FIG. 22;

FIG. 26 is a left side view of the bottle shown in FIG. 22;

FIG. 27 is a top view of the bottle shown in FIG. 22; and,

FIG. 28 is a bottom view of the bottle shown in FIG. 22.

(Continued)



The dashed lines in FIGS. 1-5, 7-14, 16-19, 21, 23-26, and 28 are included for the purpose of illustrating portions of the bottle that forms no part of the claimed design.

**1 Claim, 16 Drawing Sheets**

(58) **Field of Classification Search**

USPC ..... D7/589, 598, 612, 615, 619.1; D9/435, D9/436, 439, 440, 443, 447, 454, 500, D9/503-505, 516-575, 763-783; D24/197; D28/7, 57, 73, 76-91.1  
CPC ..... B65D 1/00; B65D 1/02; B65D 1/0223; B65D 1/023; B65D 1/0276

See application file for complete search history.

(56) **References Cited**

U.S. PATENT DOCUMENTS

D199,283 S	9/1964	Douglas	D9/448
D222,800 S *	1/1972	Donoghue	D9/504
3,770,170 A	11/1973	Hayes	220/402
3,865,283 A	2/1975	Hayes	222/402
3,945,381 A	3/1976	Silver	604/301
D246,895 S	1/1978	Van der Heijden	D9/448
D258,571 S	3/1981	Hirtle	D9/560
4,416,381 A	11/1983	Swartwout	215/228
D325,497 S	4/1992	Albertson	D23/200
D325,783 S	4/1992	Anderson	D24/193
D361,268 S *	8/1995	Kingsbury	D9/523
5,988,413 A	11/1999	Nagel	215/216
D424,437 S	5/2000	Smith	D9/436
D451,812 S	12/2001	de Giovellina	D9/560
D454,502 S	3/2002	Legros	D9/544
6,508,793 B1	1/2003	Harrold	604/302
D471,808 S	3/2003	De Castro Couto	D9/435
D494,476 S	8/2004	Cwynar-Laska et al.	D9/560
D526,206 S	8/2006	Varlet	D9/560
D527,646 S	9/2006	Cornet et al.	D9/560
D532,305 S *	11/2006	Fellows	D9/503
D532,699 S	11/2006	Mouquet	D9/694
D535,104 S *	1/2007	Chen	D4/116
D559,698 S	1/2008	Rica	D9/544
D567,100 S	4/2008	Liden et al.	D9/560
D579,785 S	11/2008	Rica	D9/574
D580,778 S	11/2008	Konckier	D9/694
D589,810 S *	4/2009	van der Krogt	D9/435
D590,659 S *	4/2009	Lloyd	D7/509
D592,519 S *	5/2009	Rica	D9/544
D595,141 S	6/2009	Rica	D9/544
D598,284 S *	8/2009	Floyd	D9/451
D602,368 S	10/2009	Rica	D9/544

D603,716 S	11/2009	Rica	D9/560
D603,717 S	11/2009	Rica	D9/560
D604,174 S	11/2009	Rica	D9/560
D604,175 S	11/2009	Rica	D9/560
D606,414 S	12/2009	Rica	D9/544
D613,177 S	4/2010	Lee	D9/560
7,731,043 B2 *	6/2010	Wang Wu	B65D 39/12 215/355
D622,602 S	8/2010	Potts	D9/544
D676,331 S	2/2013	Hartford	D9/544
D683,222 S *	5/2013	McGregor	D9/661
D693,628 S	11/2013	Tavener et al.	D7/392.1
D702,124 S	4/2014	Harrower et al.	D9/448
D705,663 S	5/2014	Guichot	D9/544
D710,695 S	8/2014	Pritikin	D9/435
8,807,372 B2	8/2014	Kao	220/287
D714,157 S	9/2014	Albertini	D9/560
D716,655 S *	11/2014	Ericson	D9/436
D727,162 S	4/2015	Gaydon	D9/573
D731,245 S *	6/2015	Beller	D7/523
9,072,580 B2	7/2015	Alvino	
D740,127 S *	10/2015	Chertoff	D9/444
D741,720 S	10/2015	Anandani	D9/560
D746,144 S *	12/2015	Vieira Santos	D9/537
D751,852 S *	3/2016	Liu	D7/300
D761,114 S *	7/2016	Ericson	D9/544
D765,468 S *	9/2016	Yen	D7/392.1
D775,958 S *	1/2017	Louis	D9/503
D776,544 S *	1/2017	Staab	D9/520
2007/0113920 A1	5/2007	Bronner	141/112
2014/0175097 A1	6/2014	Kao	220/212

FOREIGN PATENT DOCUMENTS

MX	D39024	6/2013
MX	D41449	4/2014
MX	D41551	5/2014
MX	D43442	1/2015
MX	D44949	1/2015
MX	D43715	4/2015
MX	D44520	7/2015
MX	D45463	10/2015
MX	D46081	1/2016
MX	D46420	2/2016

OTHER PUBLICATIONS

“Vintage Oscar De La Renta Parfum Perfume Bottle With Frosted Glass Lid.” terapeak.com. Date not available. Accessed Aug. 21, 2017. Available online at URL: <https://www.terapeak.com/worth/vintage-oscar-de-la-renta-parfum-perfume-bottle-with-frosted-glass-lid/182015565660/>.\*

\* cited by examiner



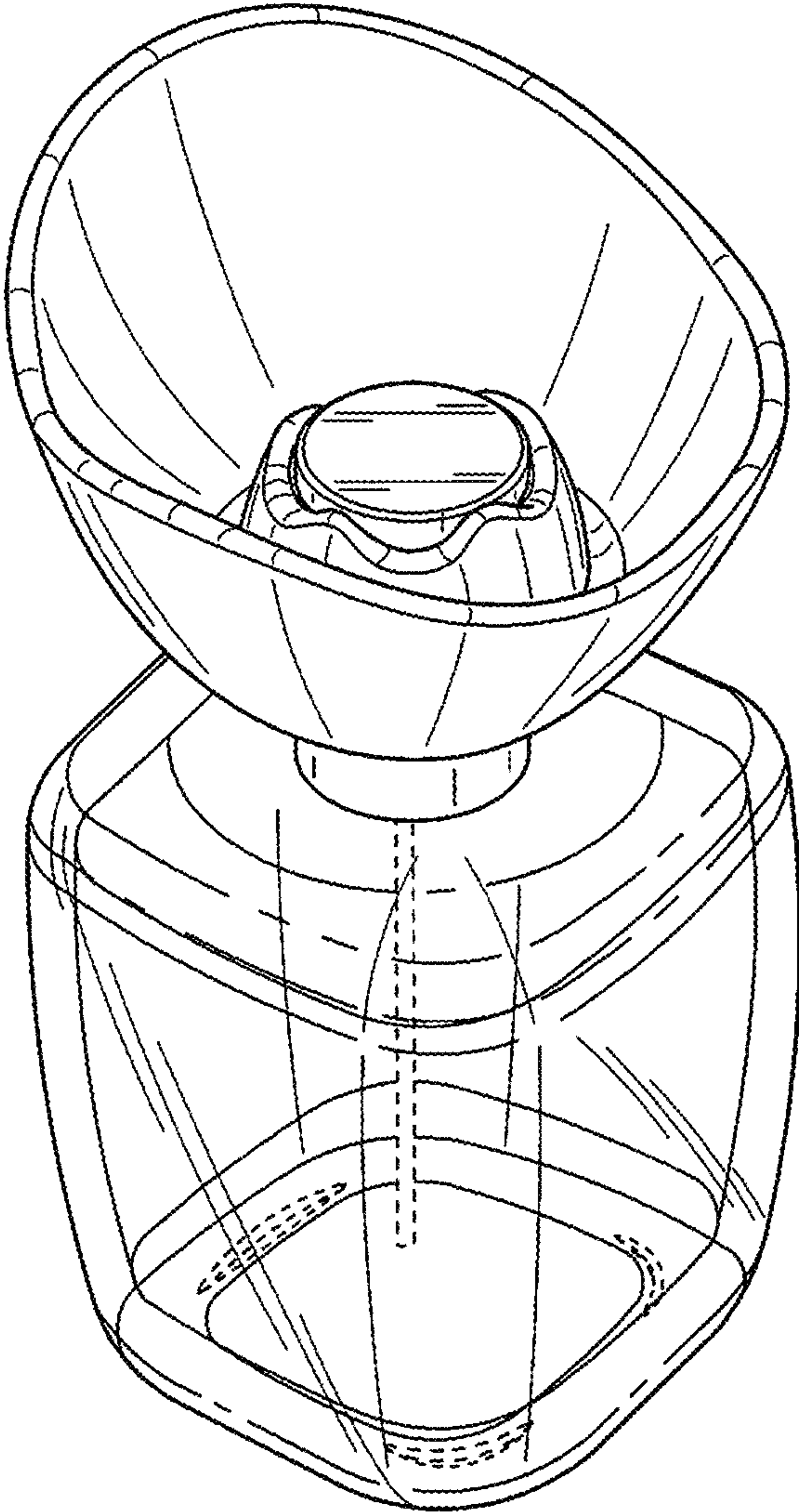


FIG. 1

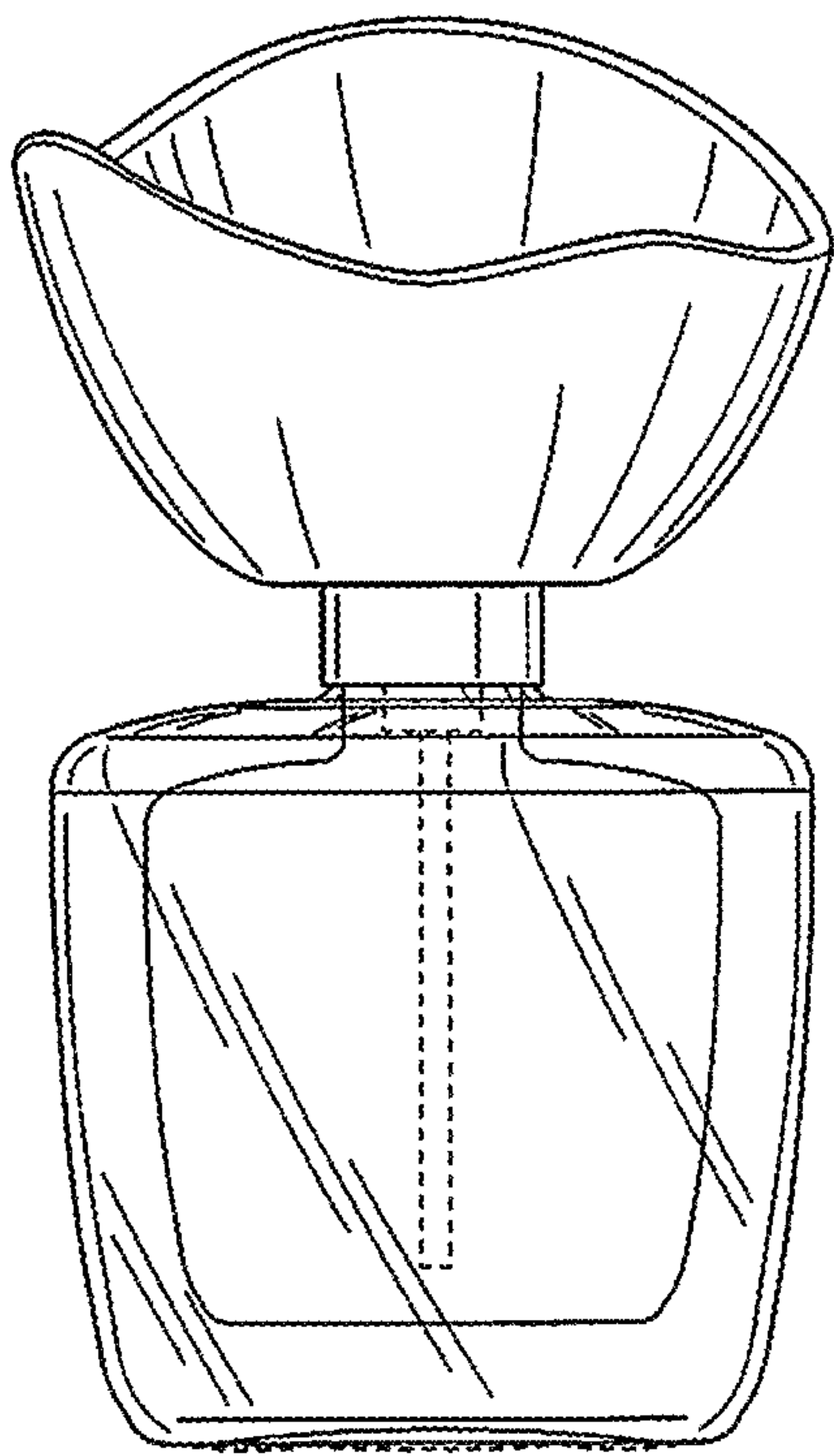


FIG. 2

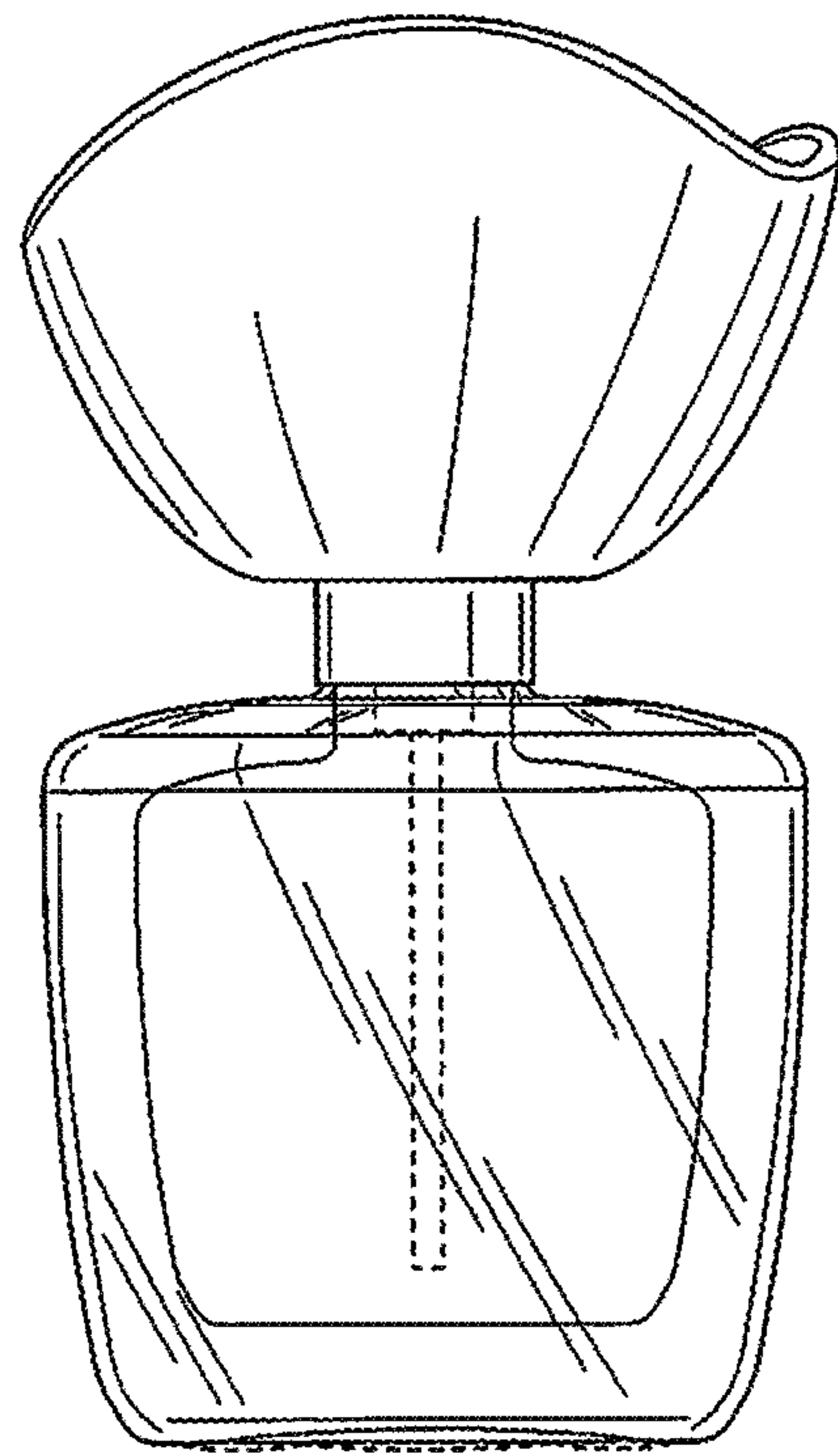


FIG. 3

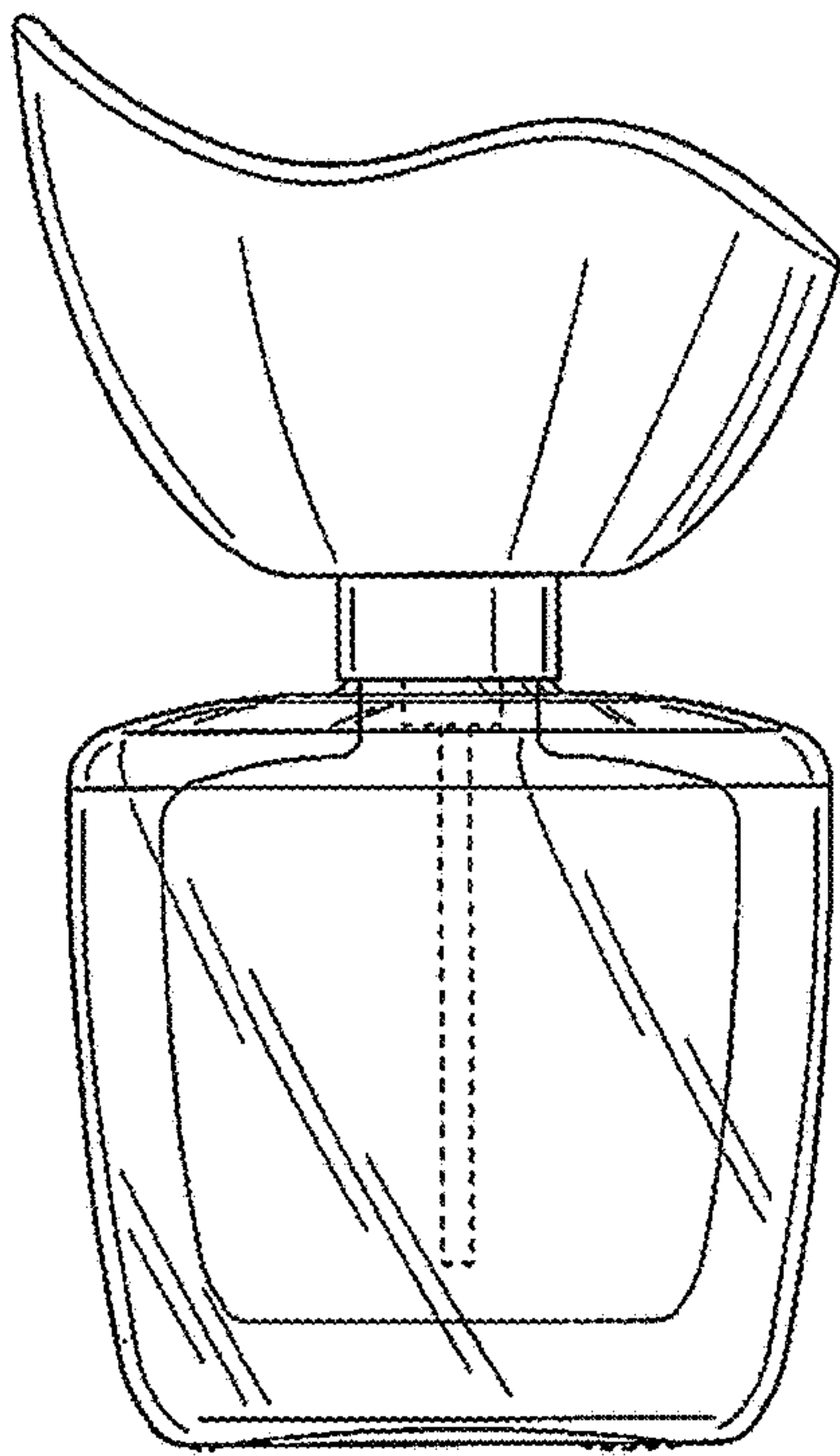


FIG. 4

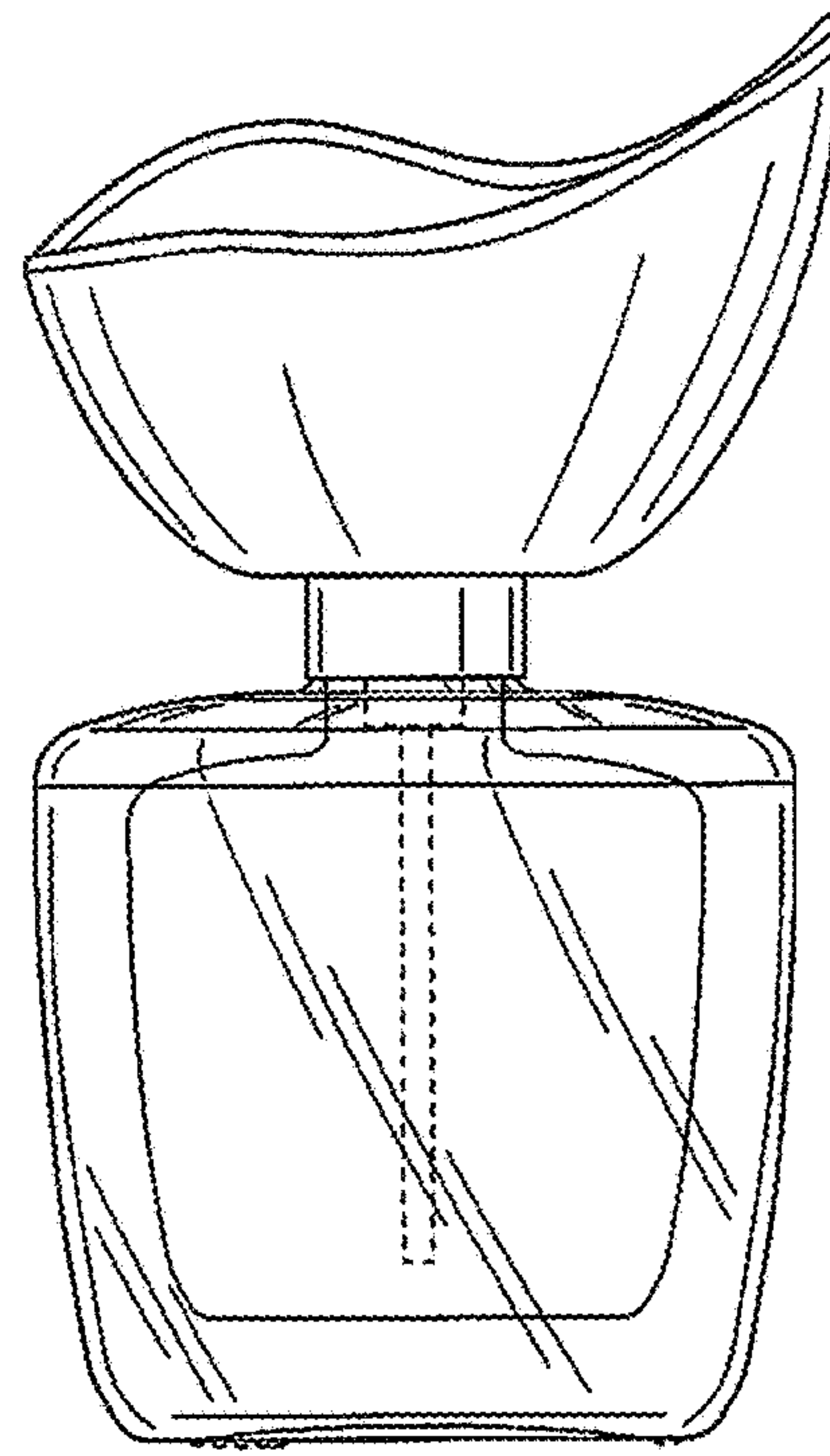


FIG. 5

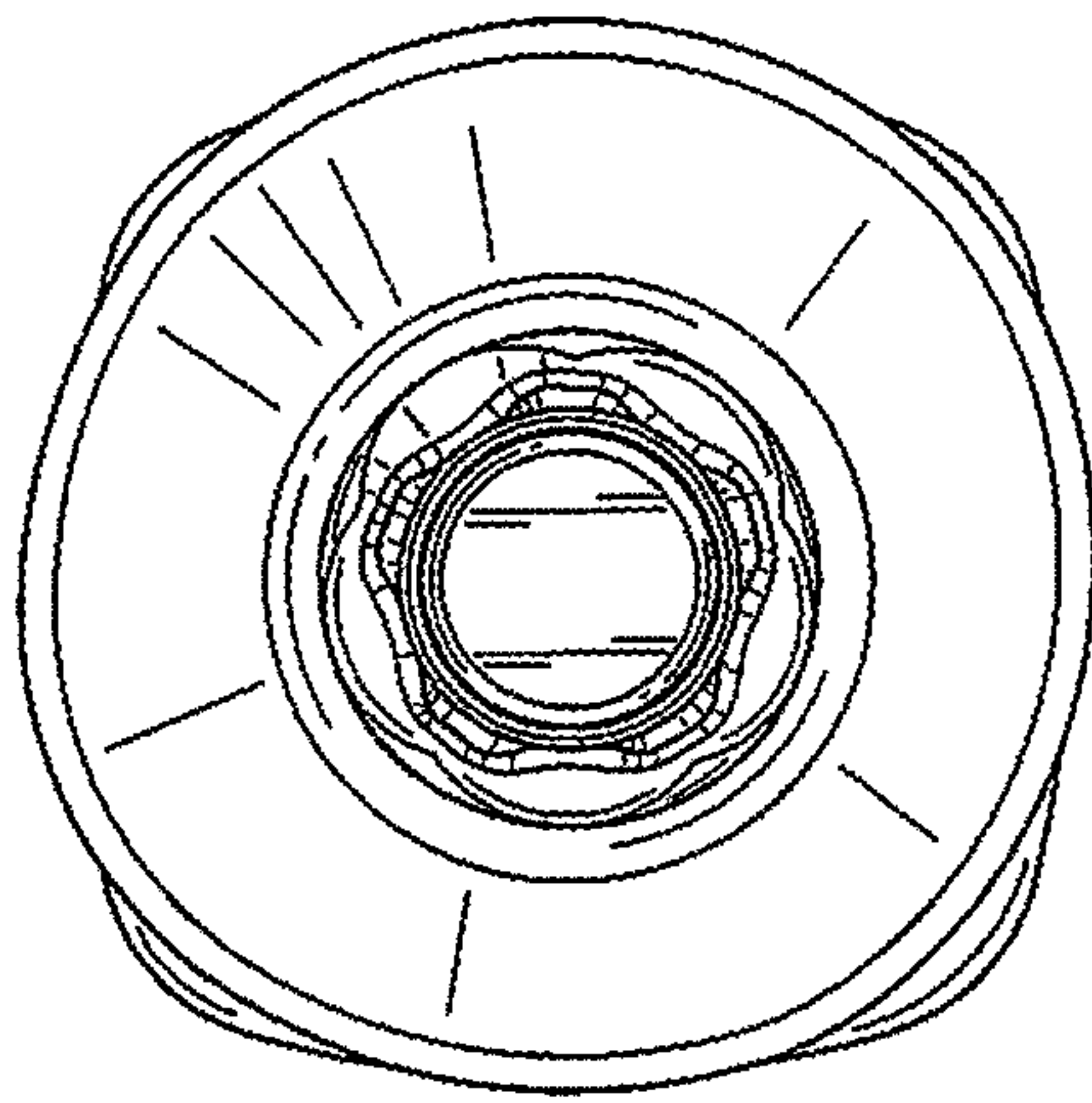


FIG. 6

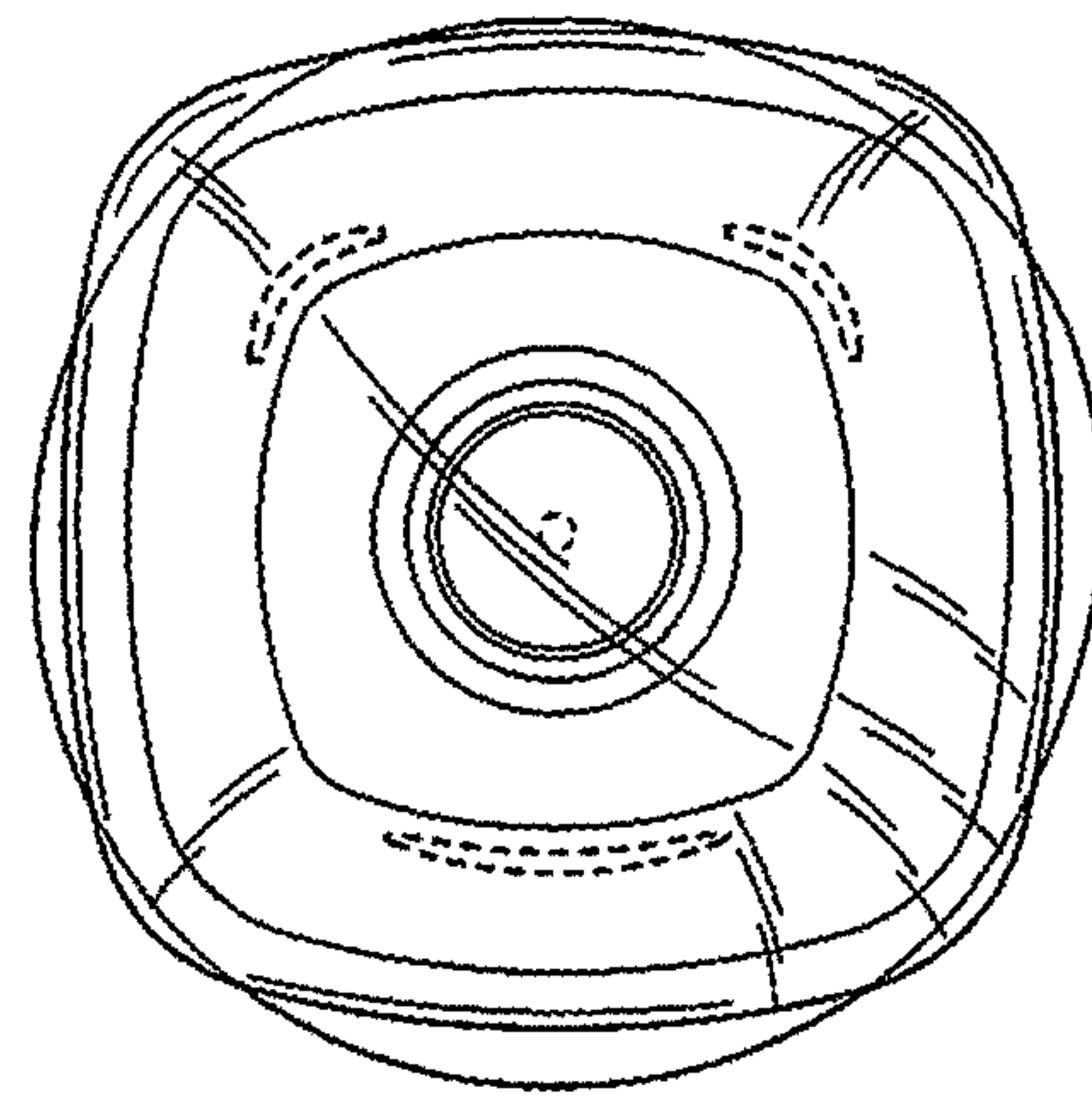


FIG. 7

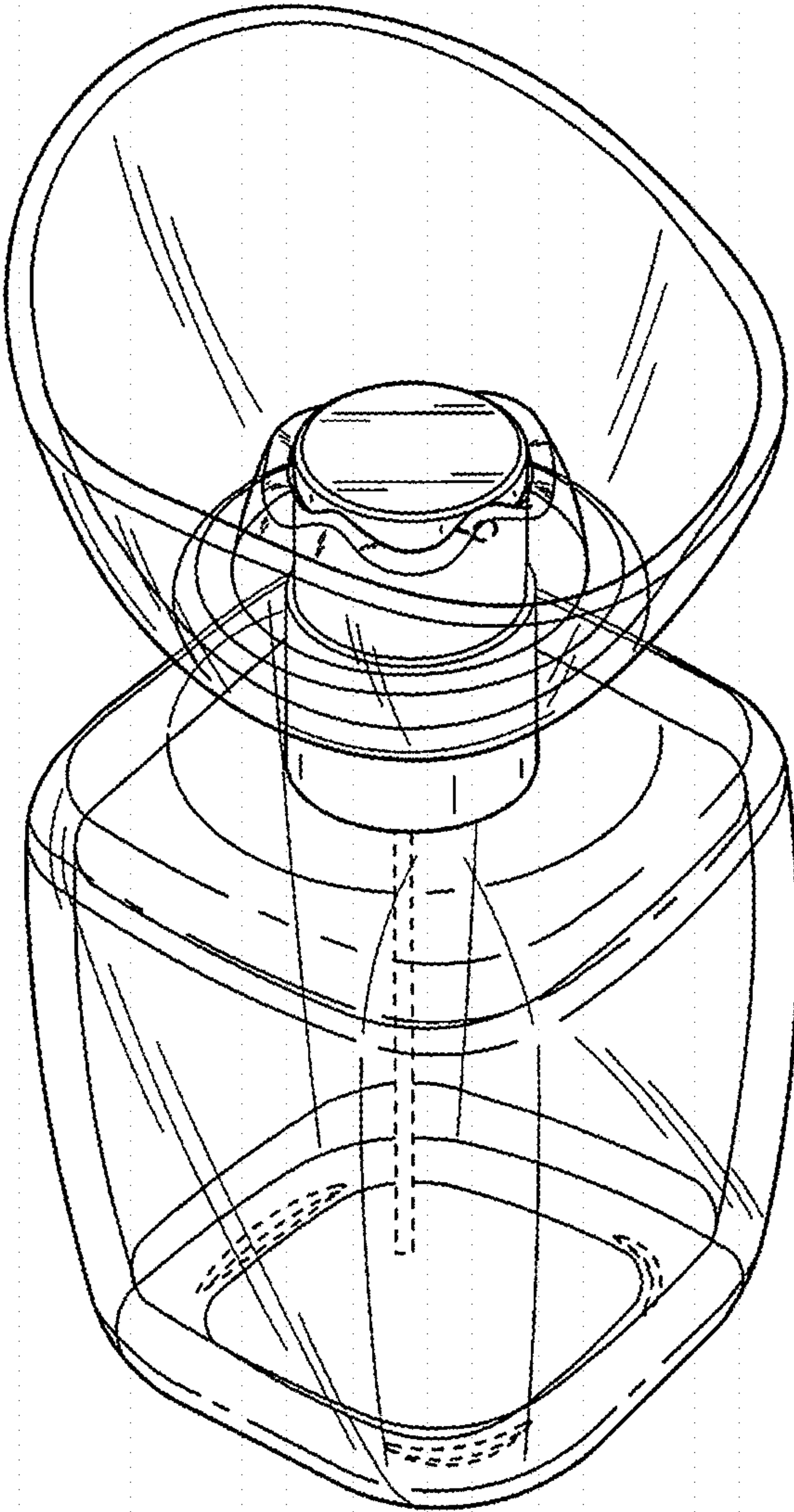


FIG. 8



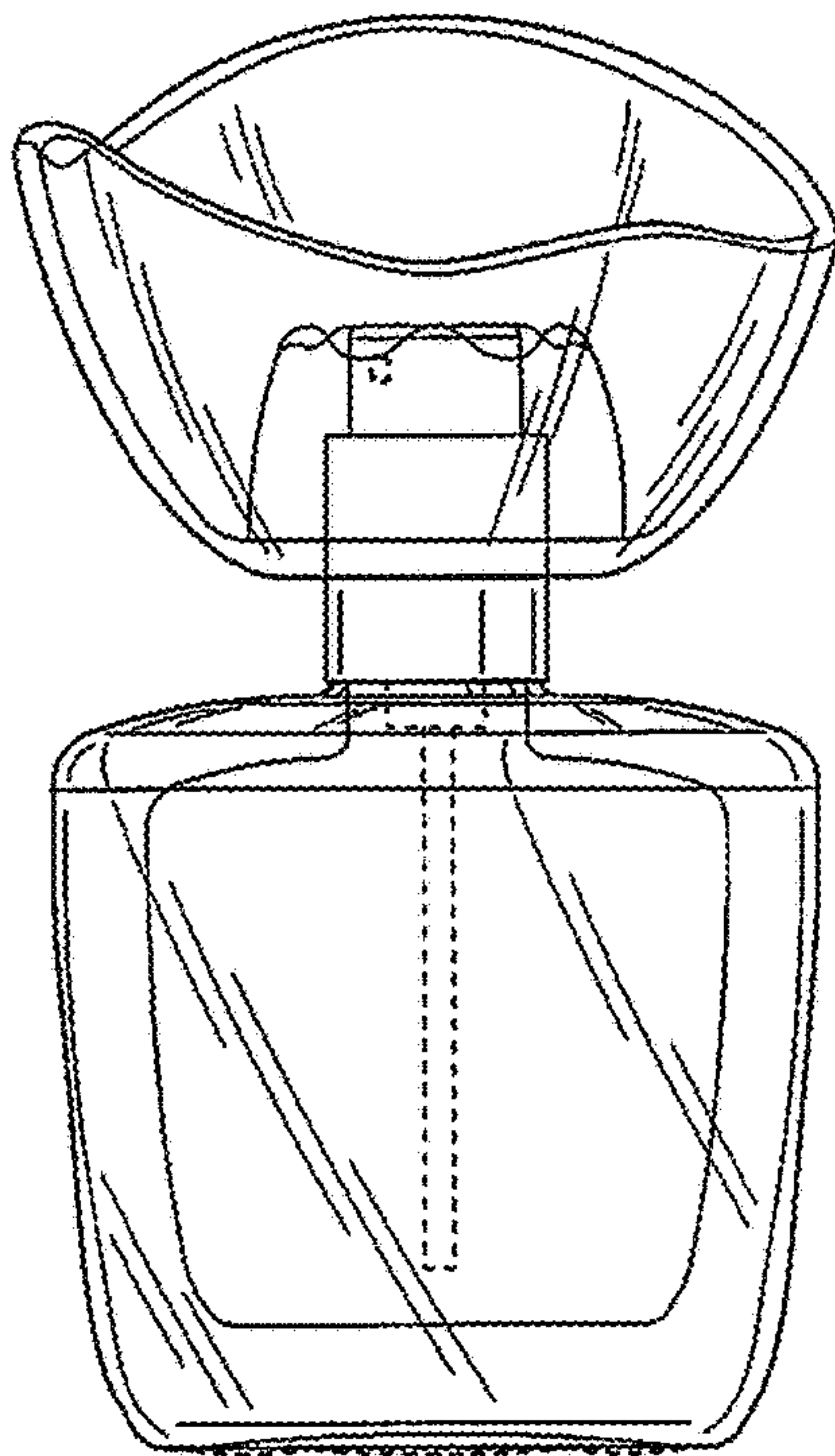


FIG. 9

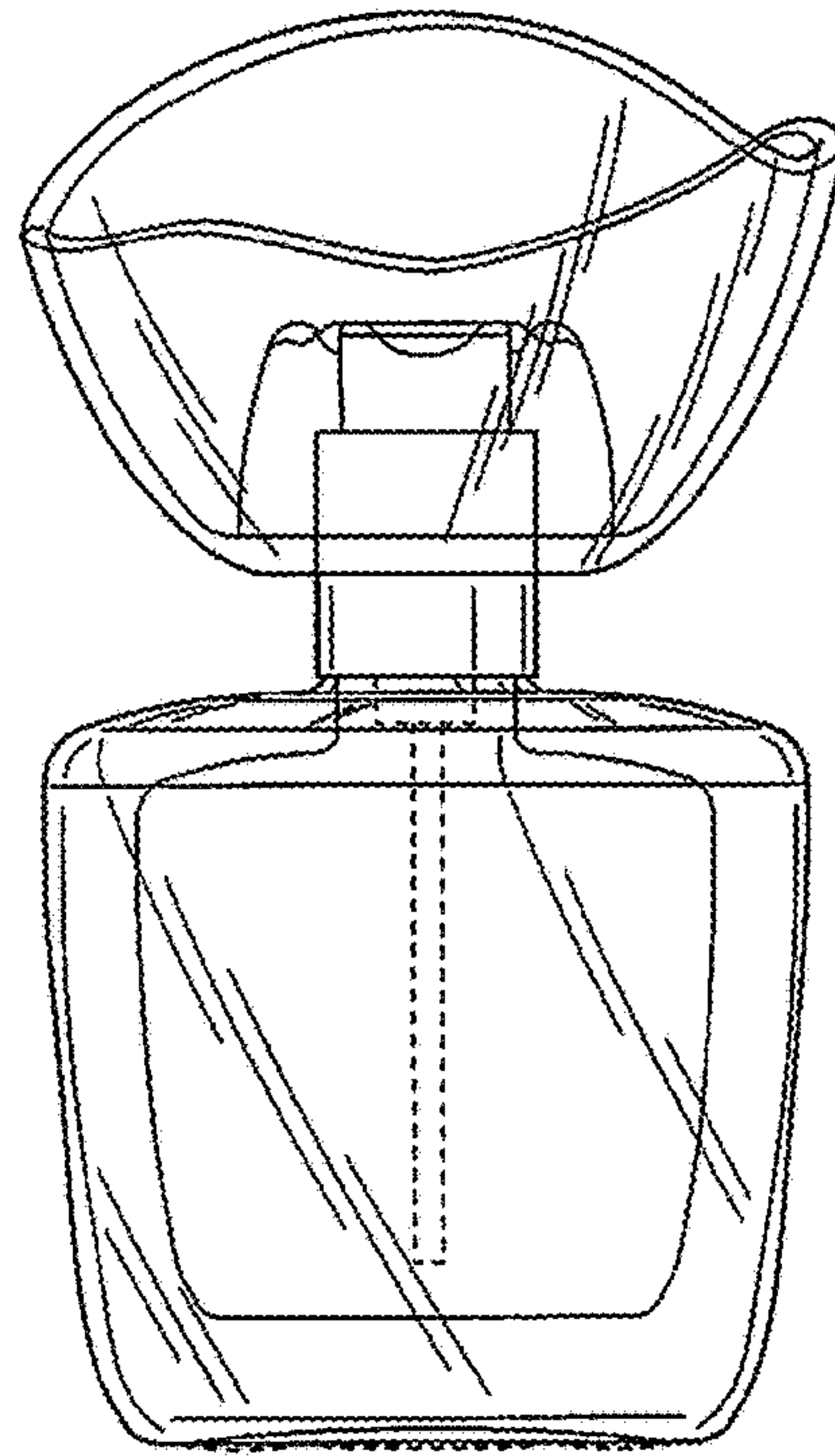


FIG. 10



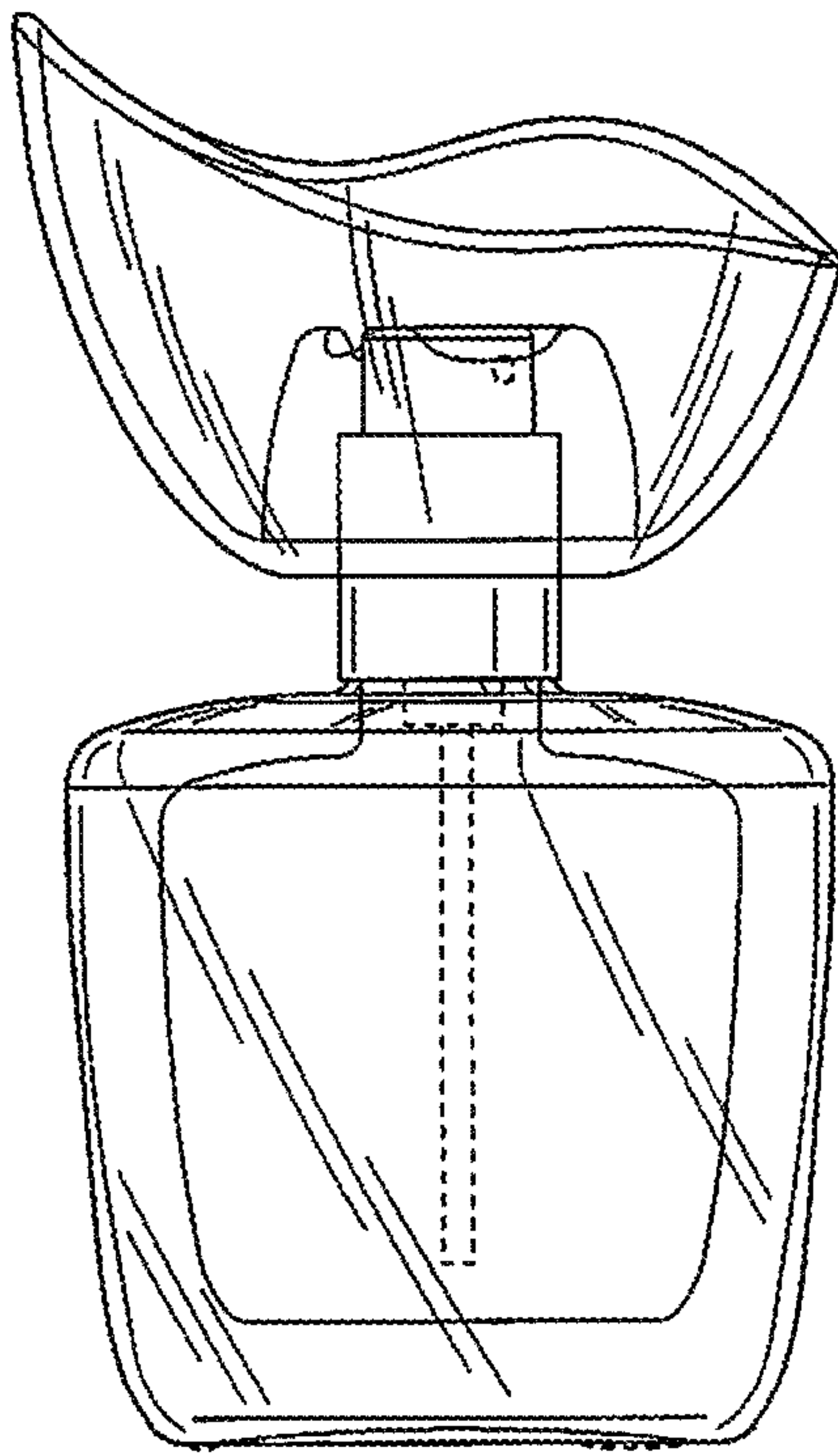


FIG. 11

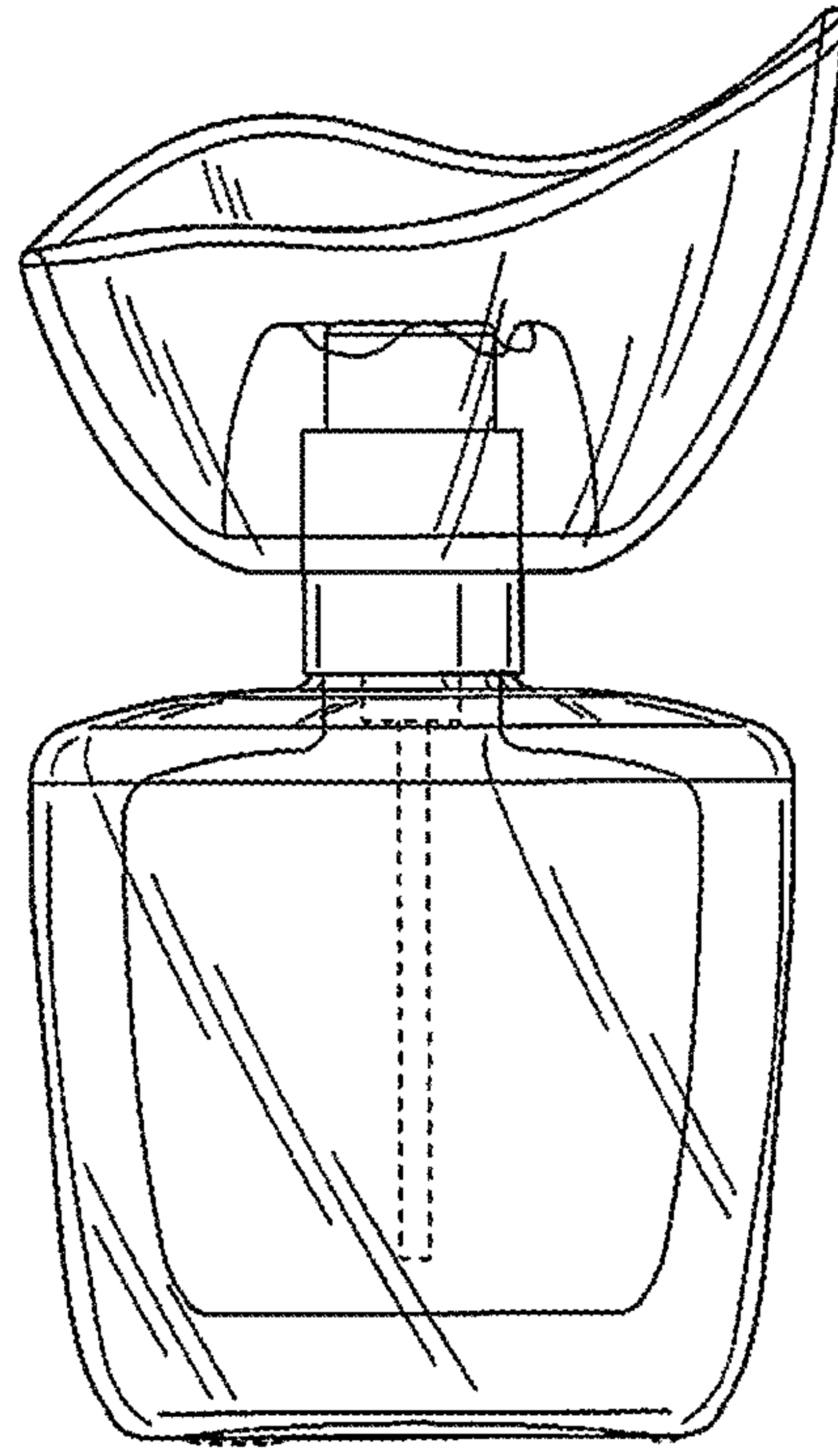


FIG. 12

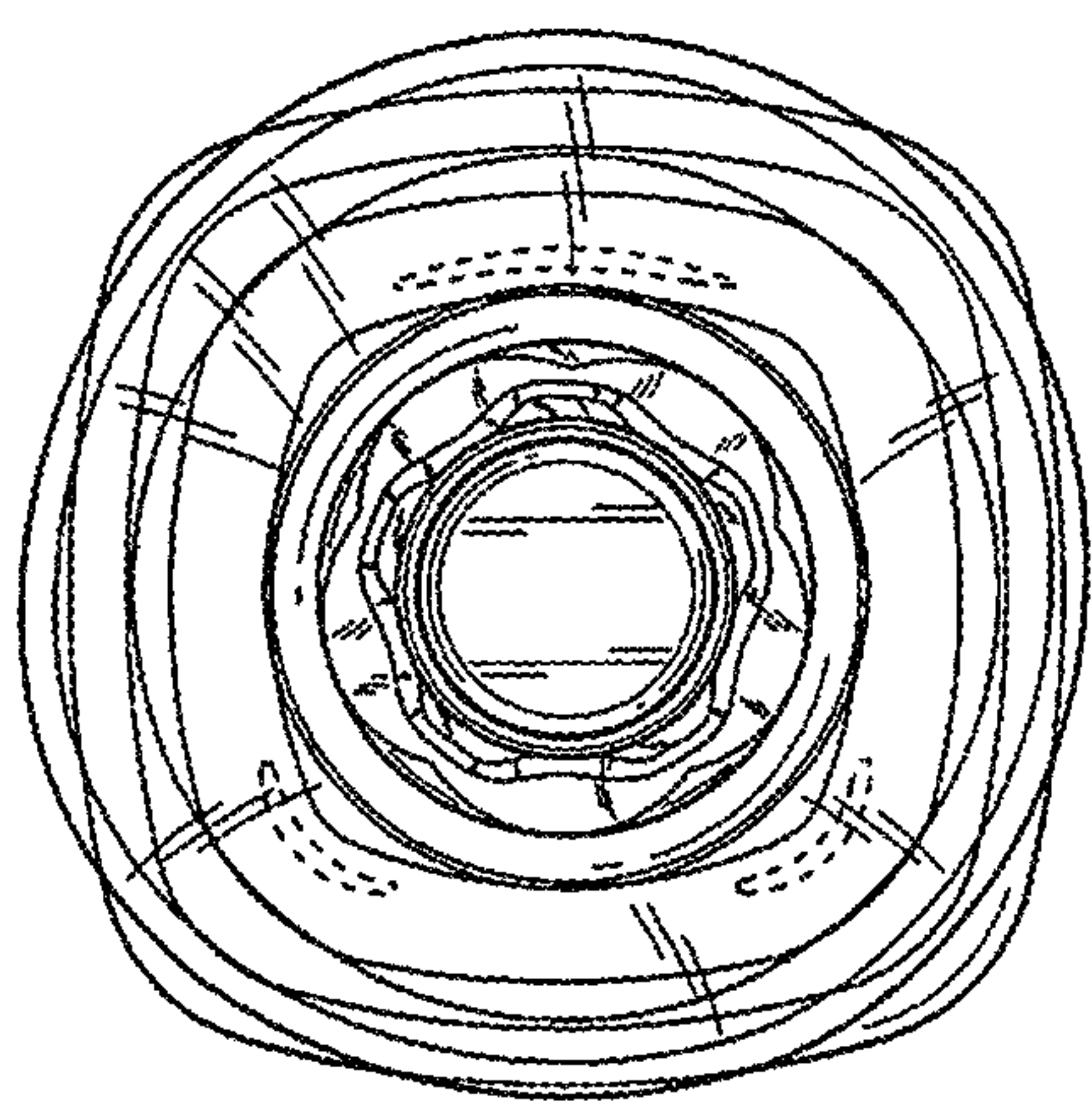


FIG. 13

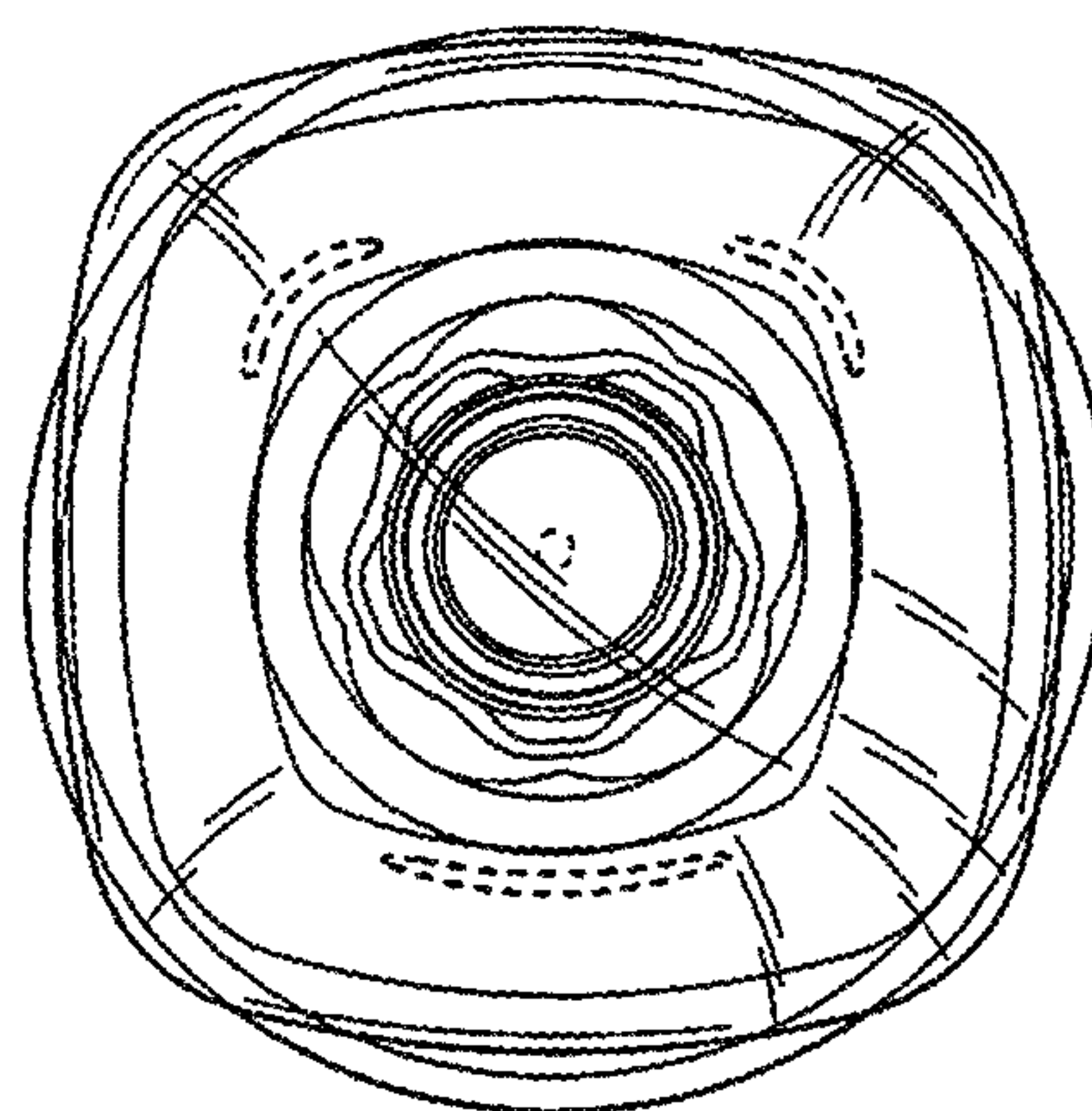


FIG. 14

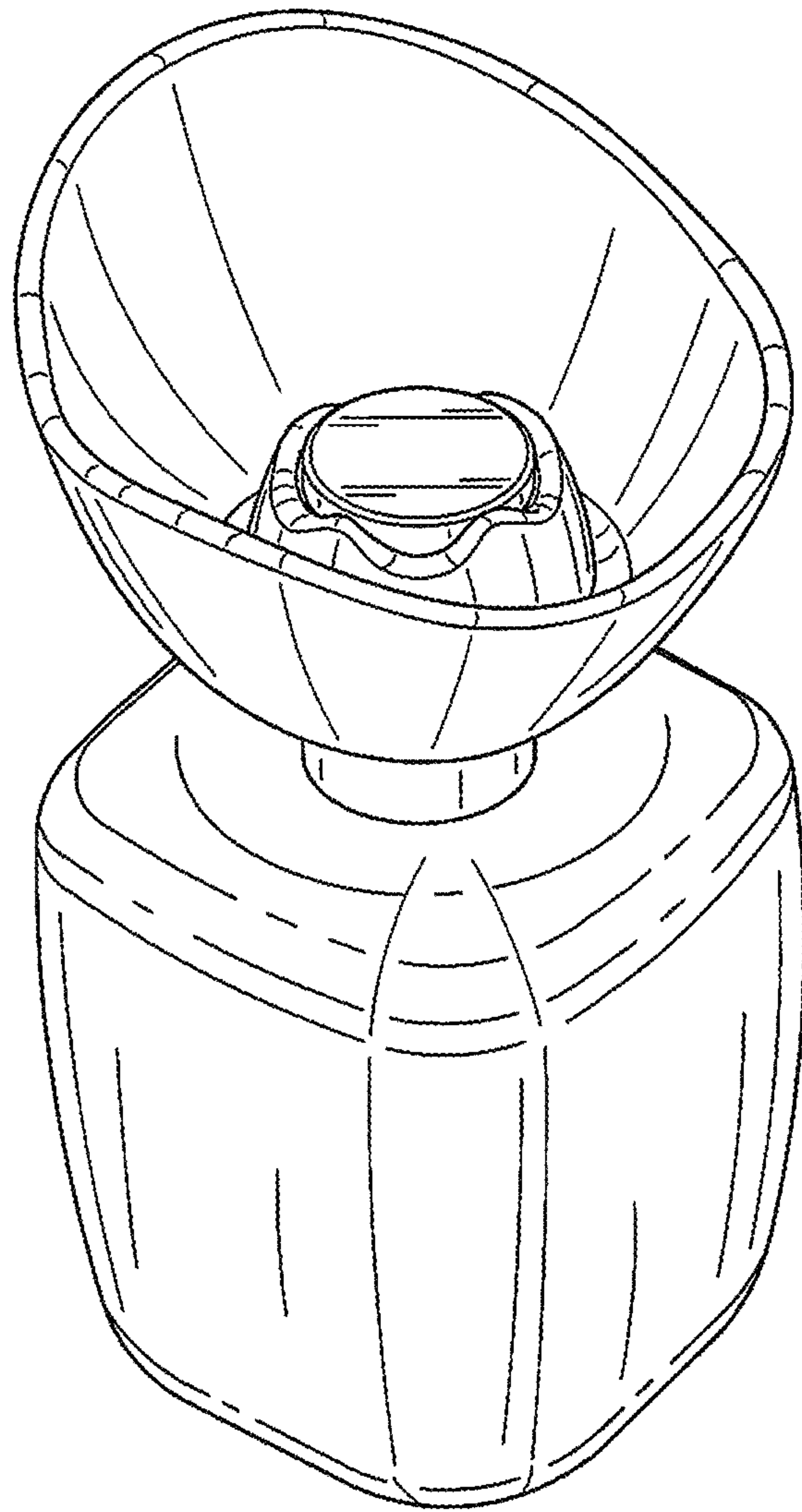


FIG. 15

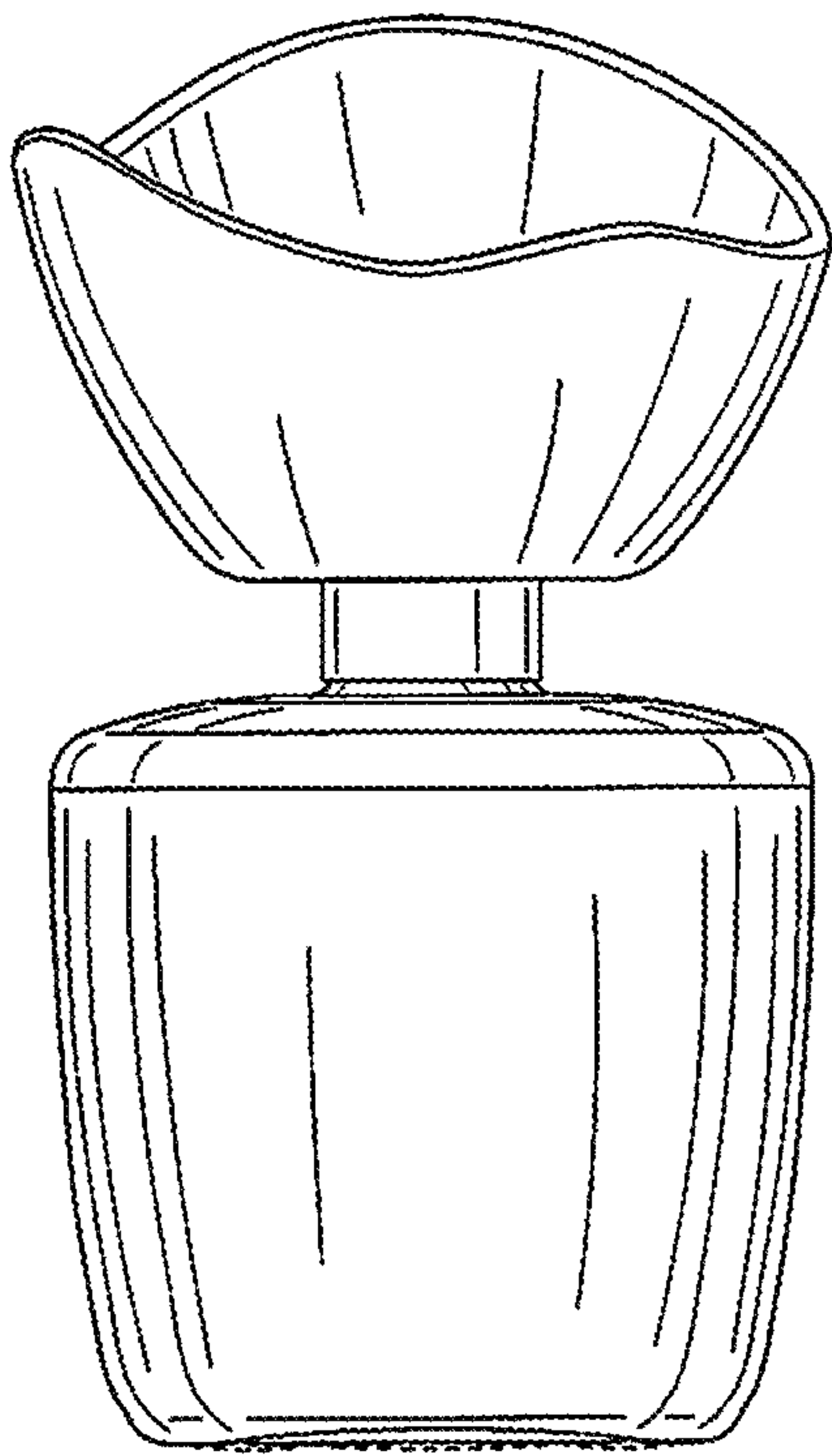


FIG. 16

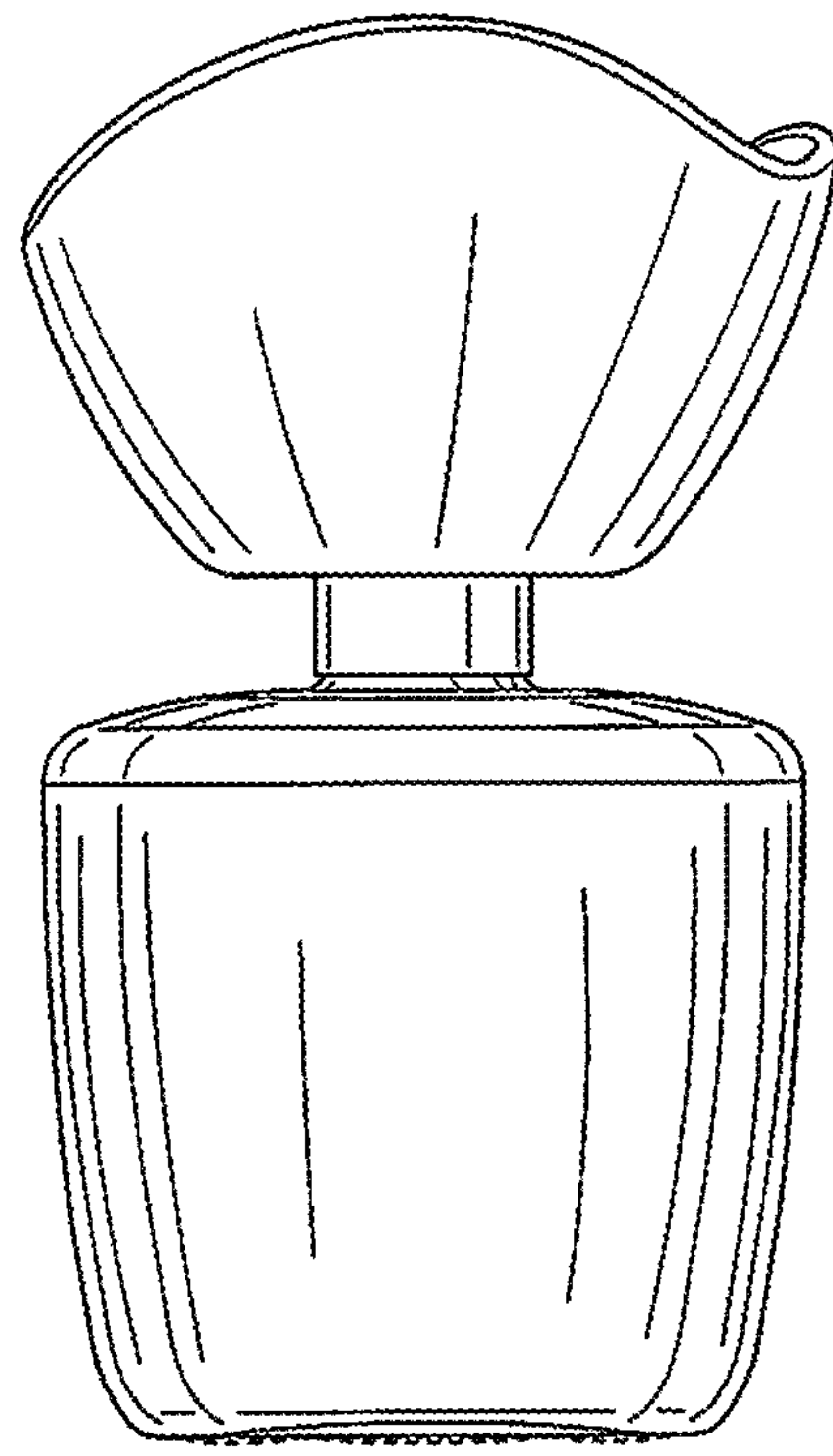


FIG. 17



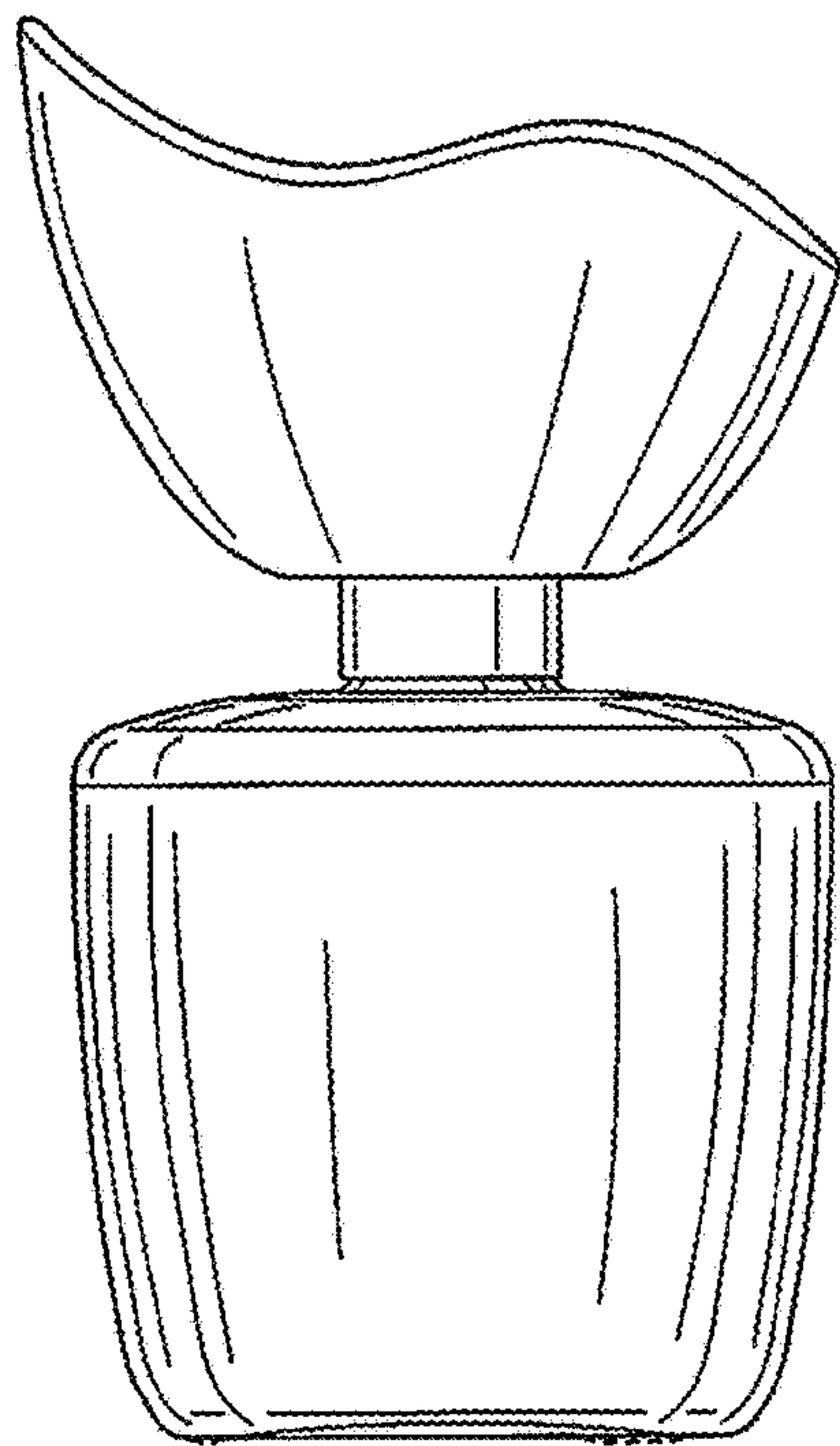


FIG. 18

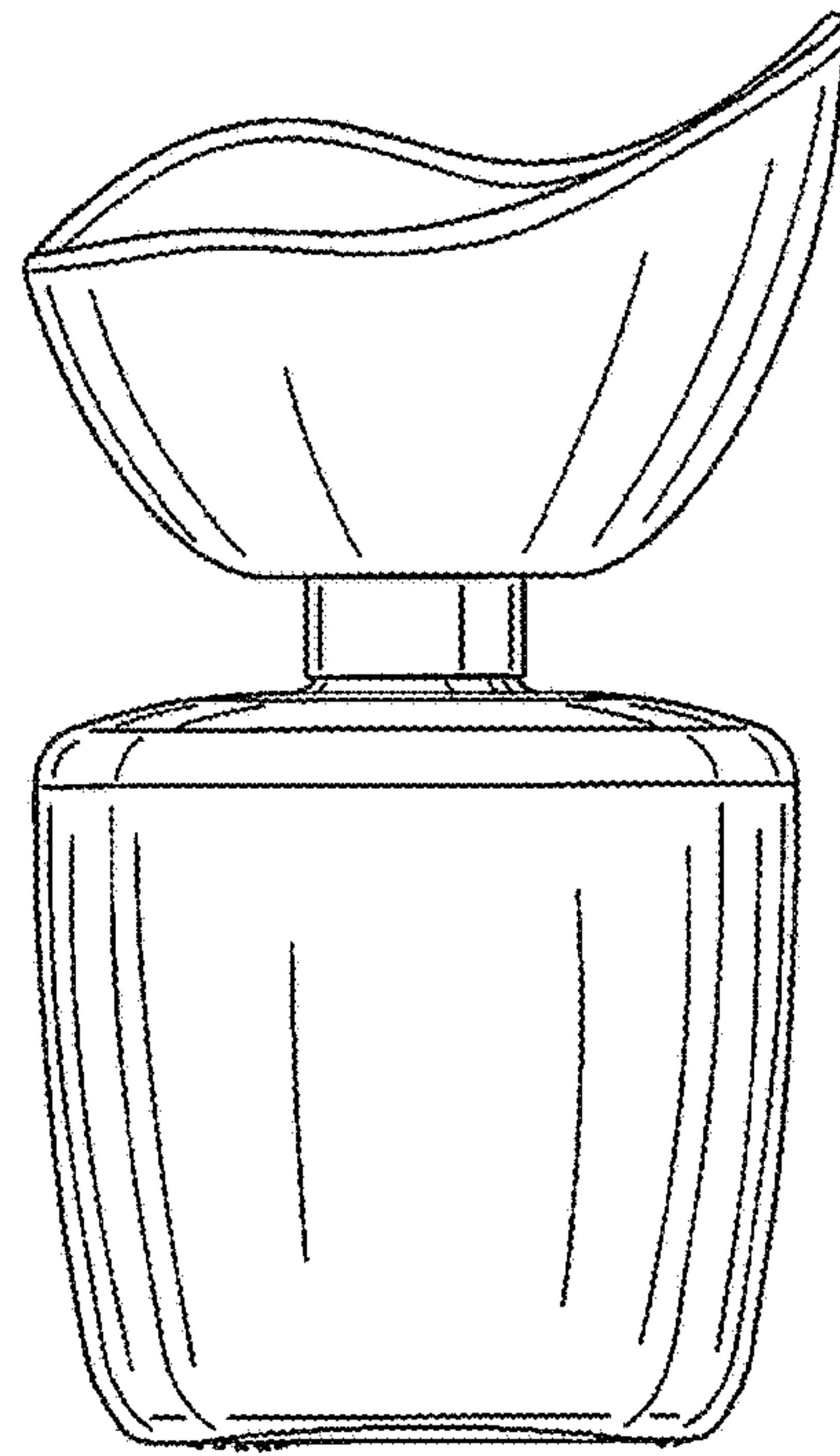


FIG. 19

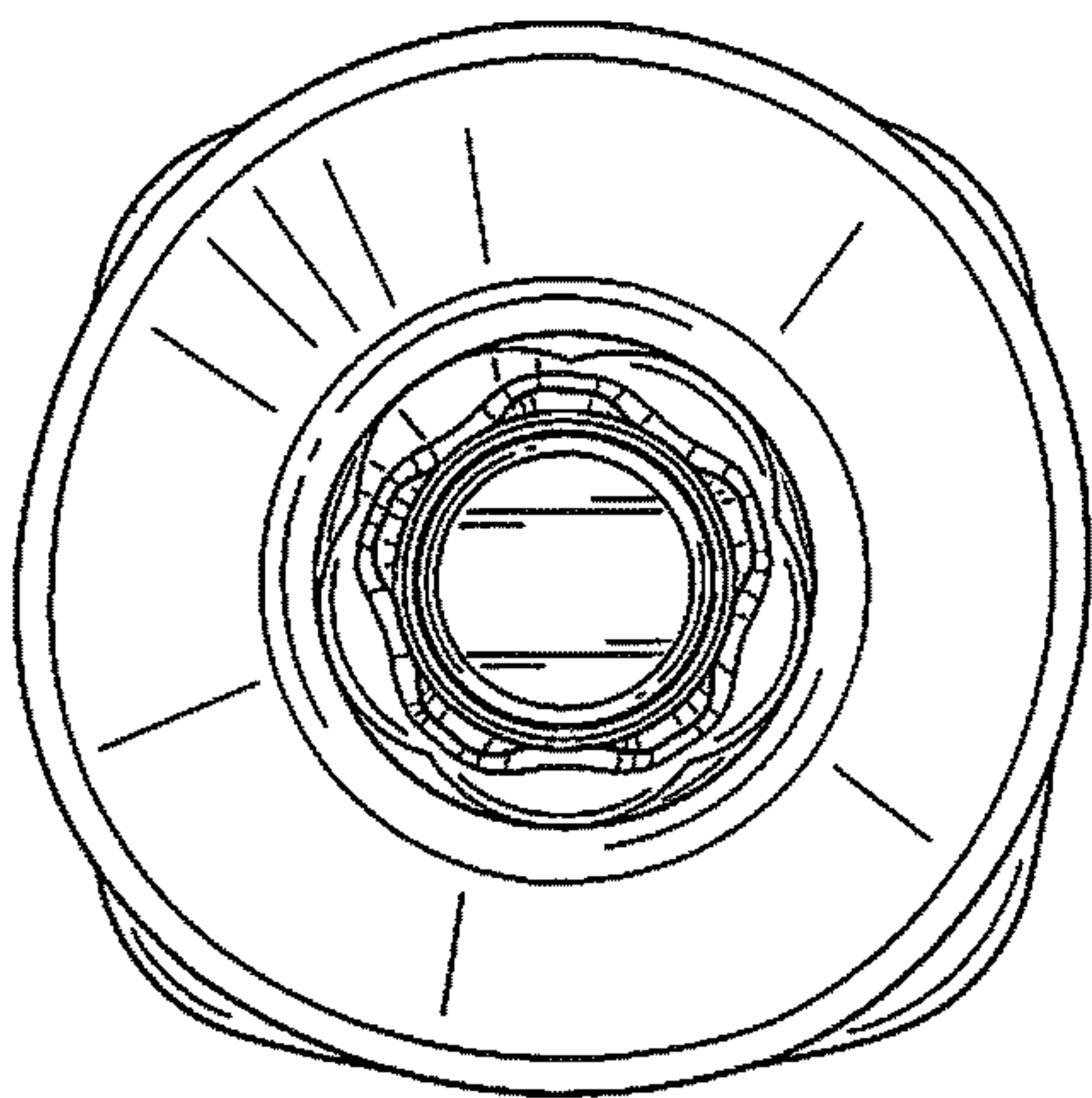


FIG. 20

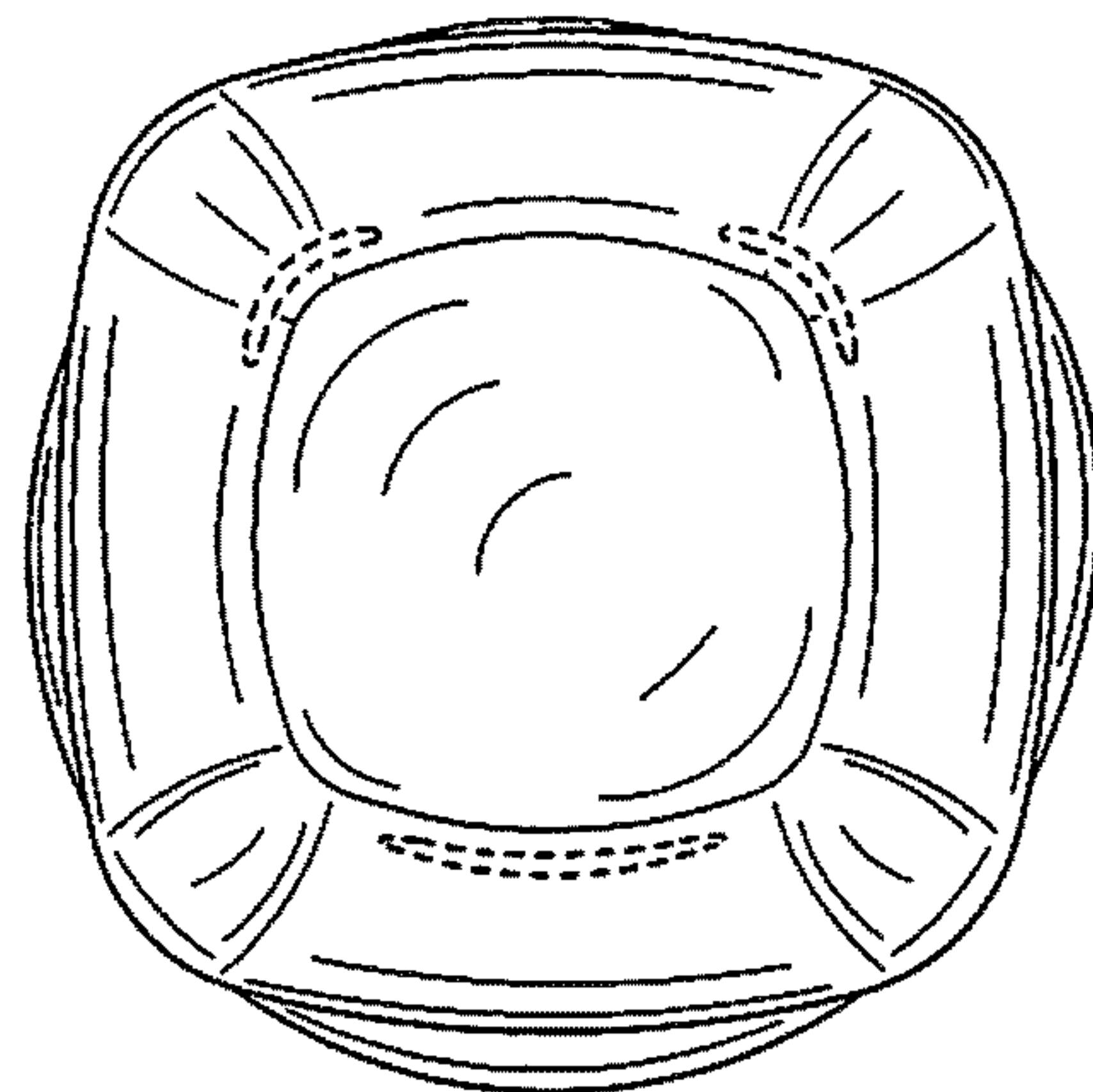


FIG. 21

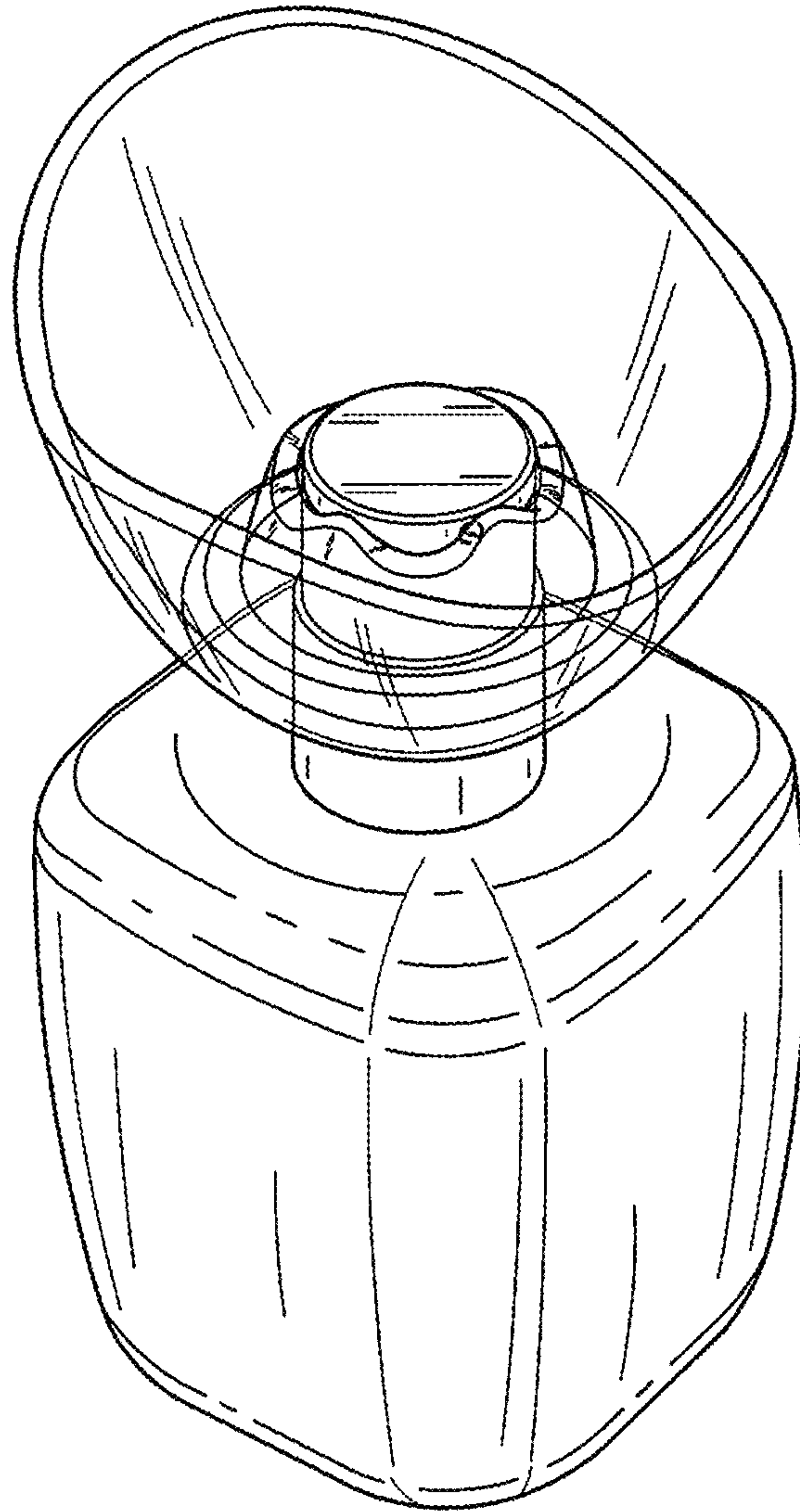


FIG. 22

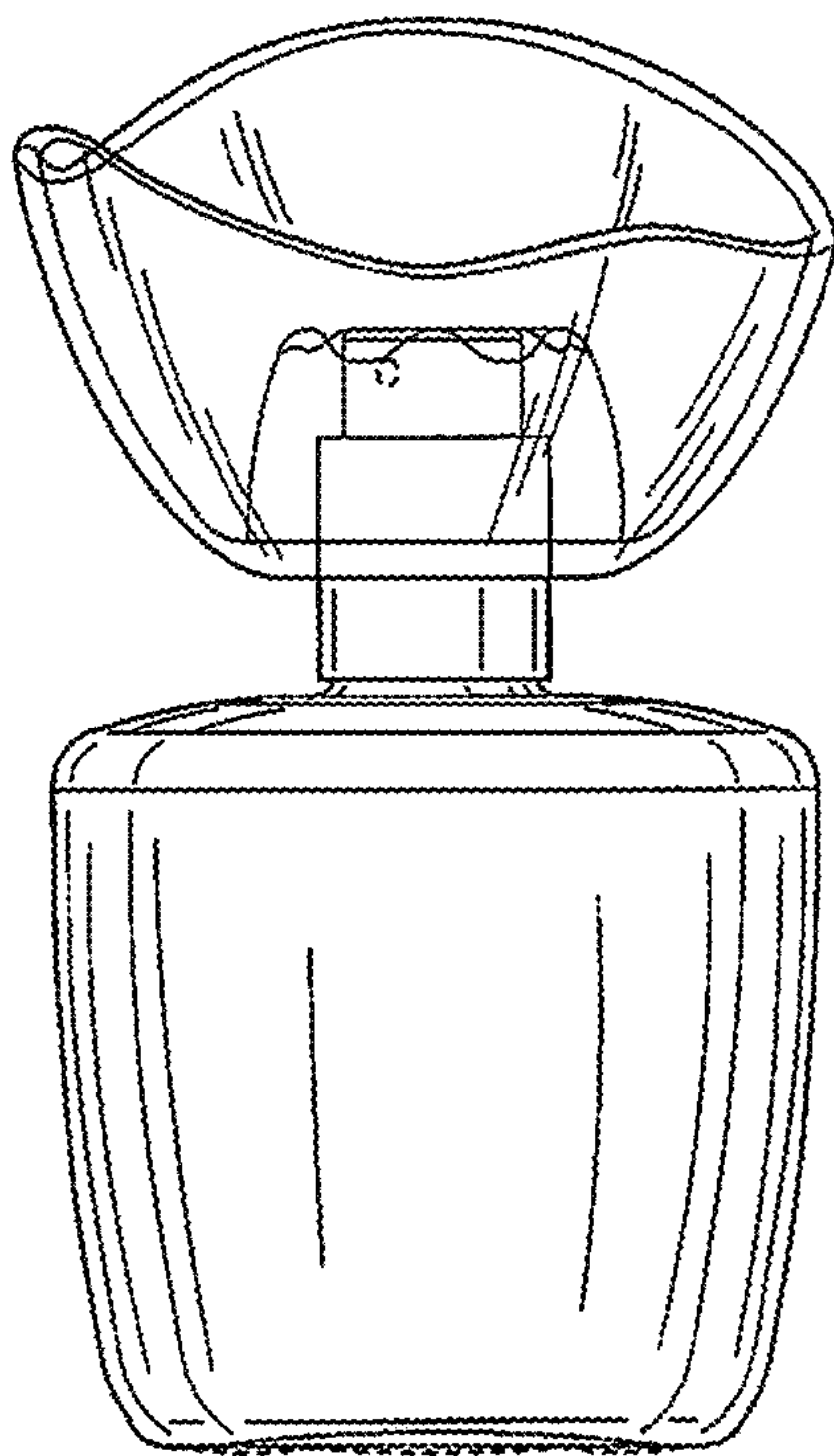


FIG. 23

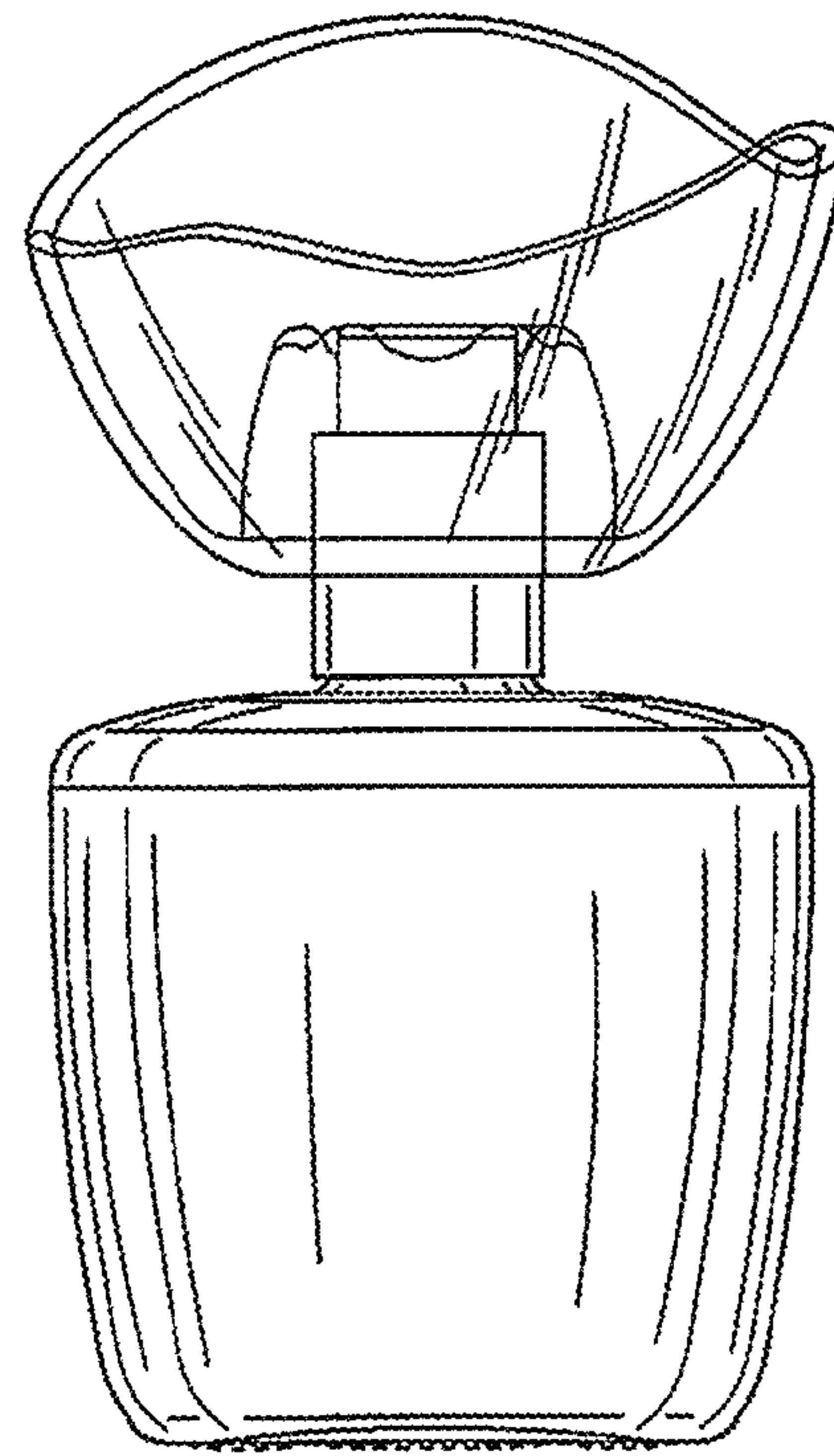


FIG. 24



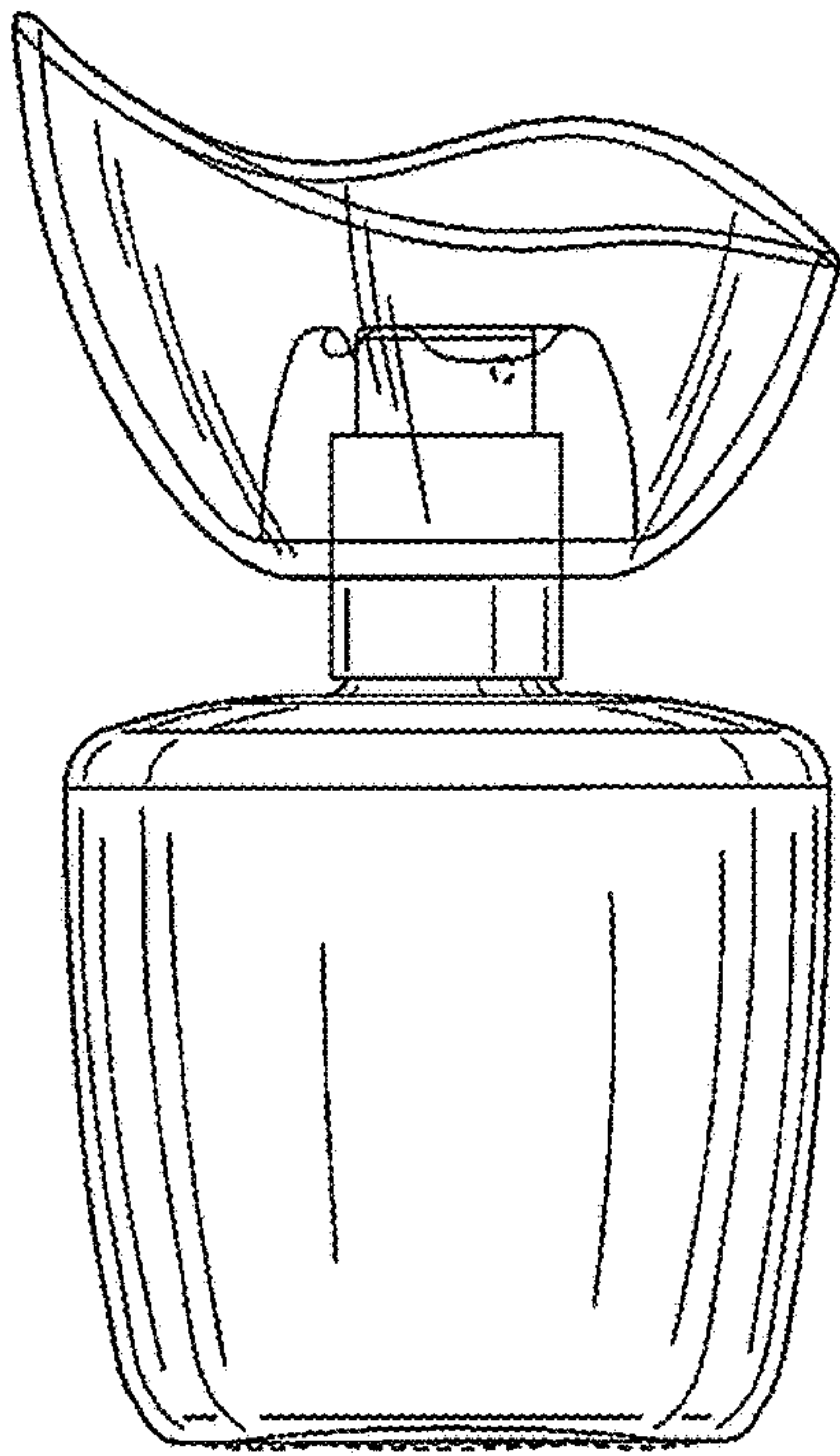


FIG. 25

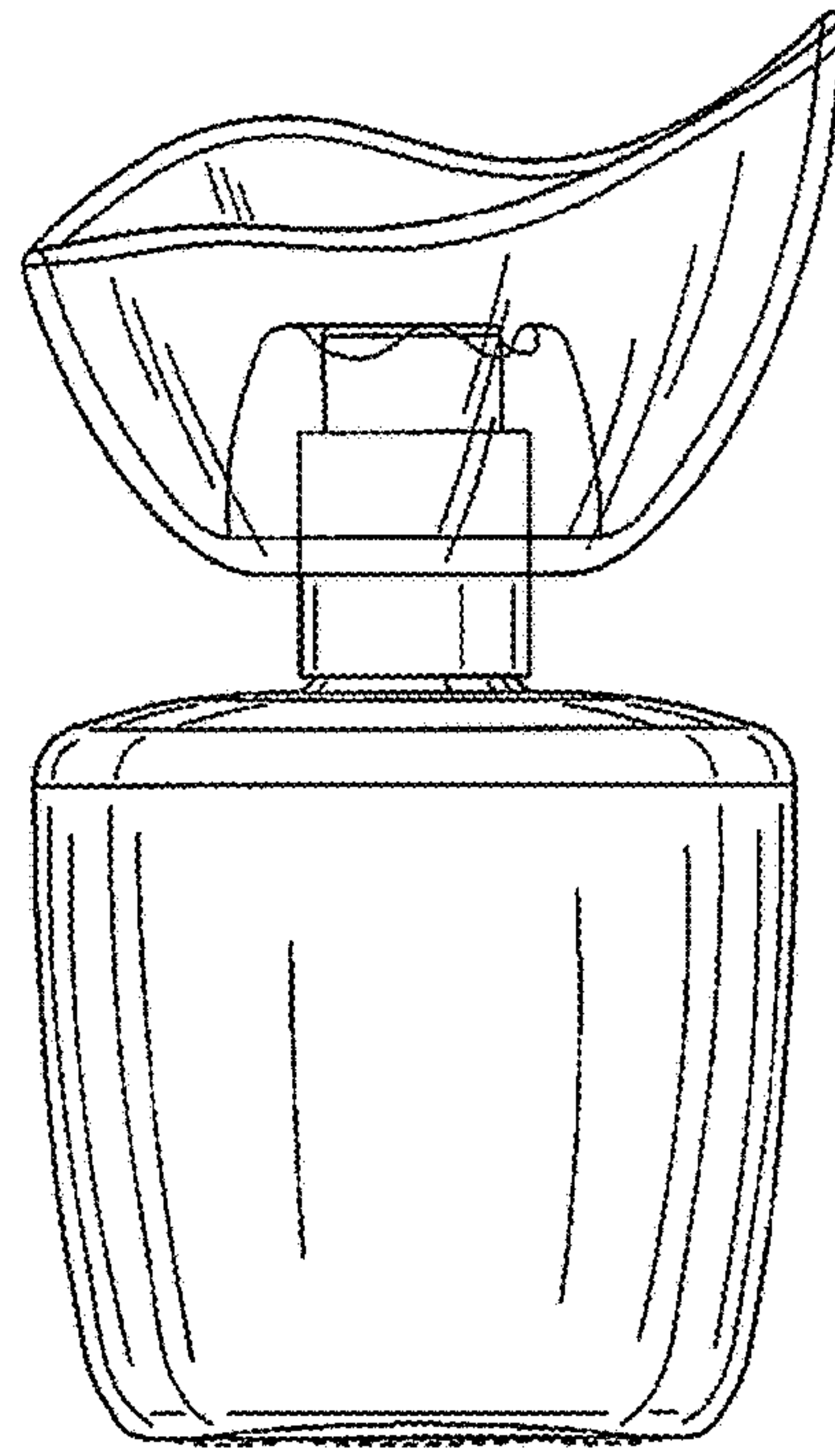


FIG. 26

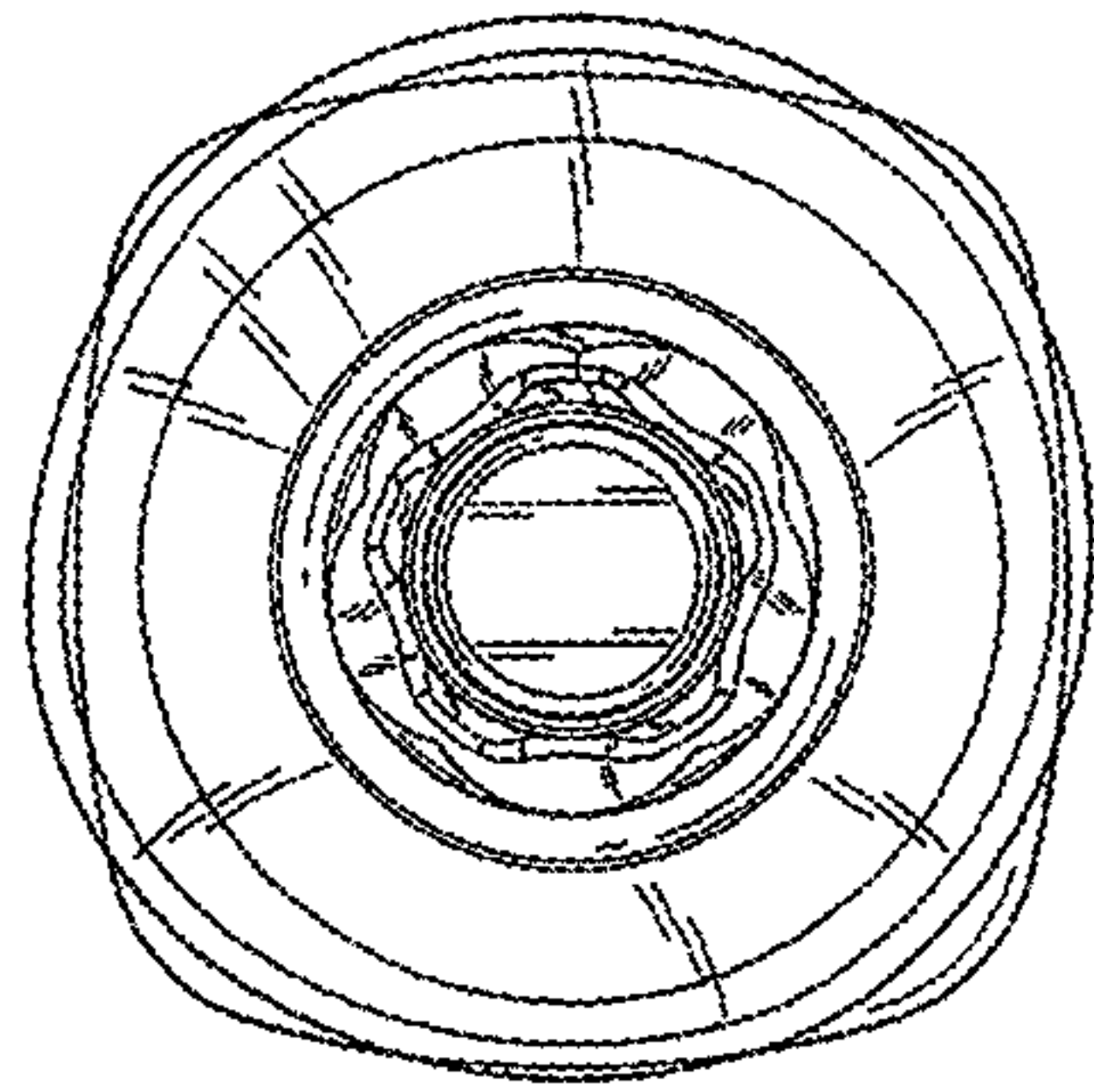


FIG. 27

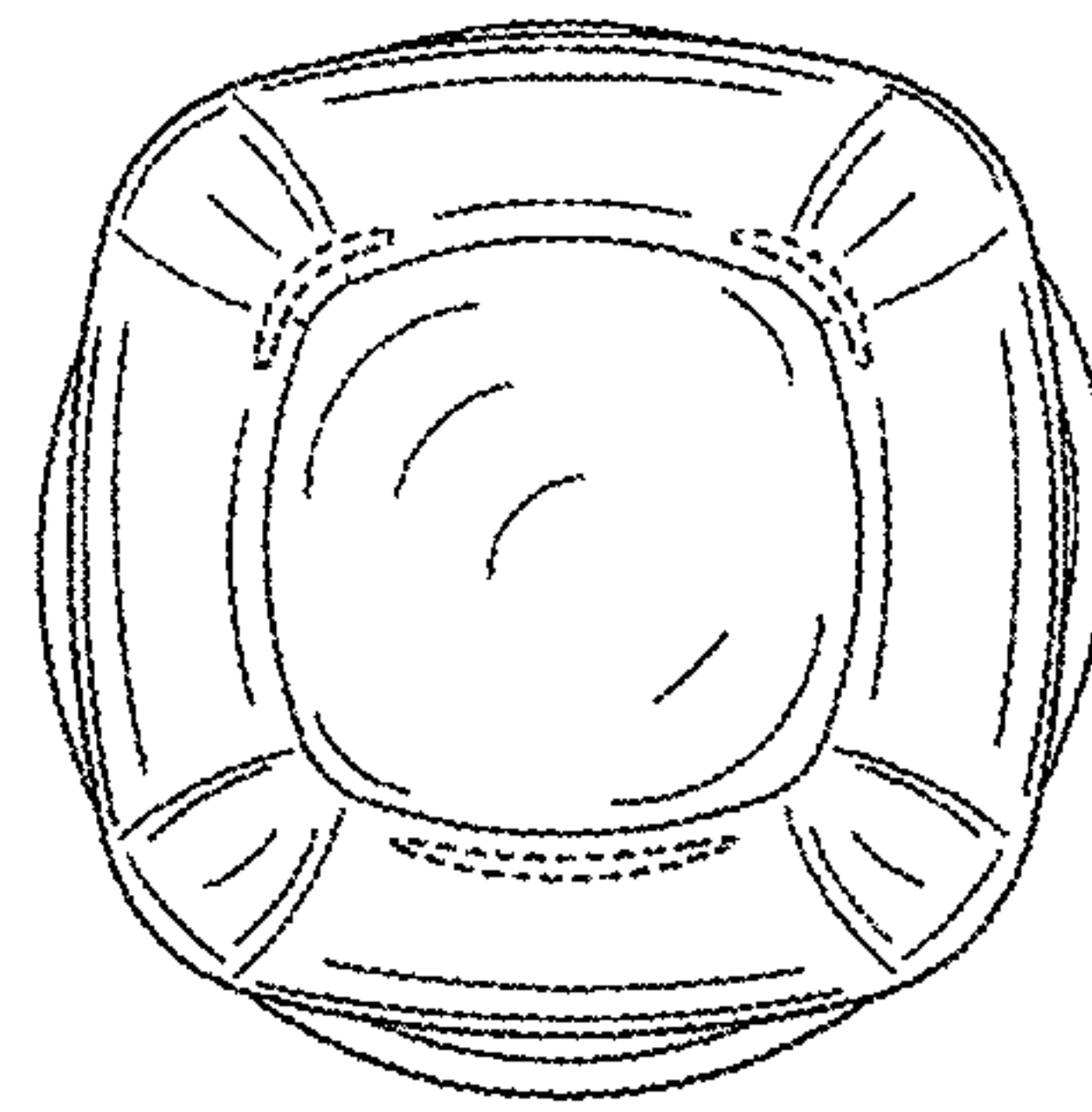


FIG. 28