



US00D804949S

(12) **United States Design Patent** (10) **Patent No.:** **US D804,949 S**
Godfroid et al. (45) **Date of Patent:** **** Dec. 12, 2017**

- (54) **BASE FOR A CONTAINER WITH AN INVERTED DISPENSER**
- (71) Applicant: **Frito-Lay North America, Inc.**, Plano, TX (US)
- (72) Inventors: **Robert Godfroid**, McKinney, TX (US); **Galina Laufer**, Plano, TX (US); **David Michael Pehar**, Willoughby, OH (US); **John Evan Spirk**, Gates Mills, OH (US)
- (73) Assignee: **Frito-Lay North America, Inc.**, Plano, TX (US)
- (**) Term: **15 Years**
- (21) Appl. No.: **29/529,630**
- (22) Filed: **Jun. 9, 2015**

Related U.S. Application Data

- (63) Continuation-in-part of application No. 14/686,449, filed on Apr. 14, 2015, now Pat. No. 9,637,301.
- (51) **LOC (10) Cl.** **09-07**
- (52) **U.S. Cl.**
USPC **D9/448**; D9/436; D9/443
- (58) **Field of Classification Search**
USPC D9/429, 434-436, 439-454, 499, 600, D9/601, 614-617, 620, 623, 624, 628; D7/387, 392, 393, 396.2, 510, 511, D7/514-517, 598, 599, 612.2, 623, 628, D7/392.1; D3/202, 294, 318
CPC A61J 1/1412; B65D 1/02; B65D 1/323; B65D 1/0246; B65D 25/40; B65D 25/42; B65D 25/44; B65D 41/56; B65D 41/62; B65D 47/06; B65D 47/08
See application file for complete search history.

- (56) **References Cited**
U.S. PATENT DOCUMENTS
- 2,312,380 A * 3/1943 Bernhardt B67D 3/00 215/392
- 2,935,232 A * 5/1960 Thomas B65D 83/205 222/162
- D205,804 S * 9/1966 Weber, III D9/448
- 3,272,370 A * 9/1966 Plagenberg A47J 36/14 215/396
- D224,203 S * 7/1972 Donoghue D9/503
- D232,499 S * 8/1974 Martinelli D6/350
- 3,893,596 A * 7/1975 Beres B65D 83/32 222/402.19

(Continued)

OTHER PUBLICATIONS

Lingle, R., "Hellmann's squeezes improvements out of mayo bottle" Mar. 24, 2015, <http://www.packagingdigest.com/food-packaging/hellmanns-squeeze-bottles-out-of-mayo-bottle1503>, (6 pages).

Primary Examiner — Karen S Acker
Assistant Examiner — Wendy Arminio
(74) *Attorney, Agent, or Firm* — Brandon V. Zuniga; Colin P. Cahoon; Carstens & Cahoon, LLP

(57) **CLAIM**

The ornamental design for a base for a container with an inverted dispenser, as shown and described.

DESCRIPTION

FIG. 1 is a top perspective view of a base for a container with an inverted dispenser;
FIG. 2 is a right side view thereof;
FIG. 3 is a left side view thereof;
FIG. 4 is a back view thereof;
FIG. 5 is a front view thereof;
FIG. 6 is a top view thereof;

(Continued)

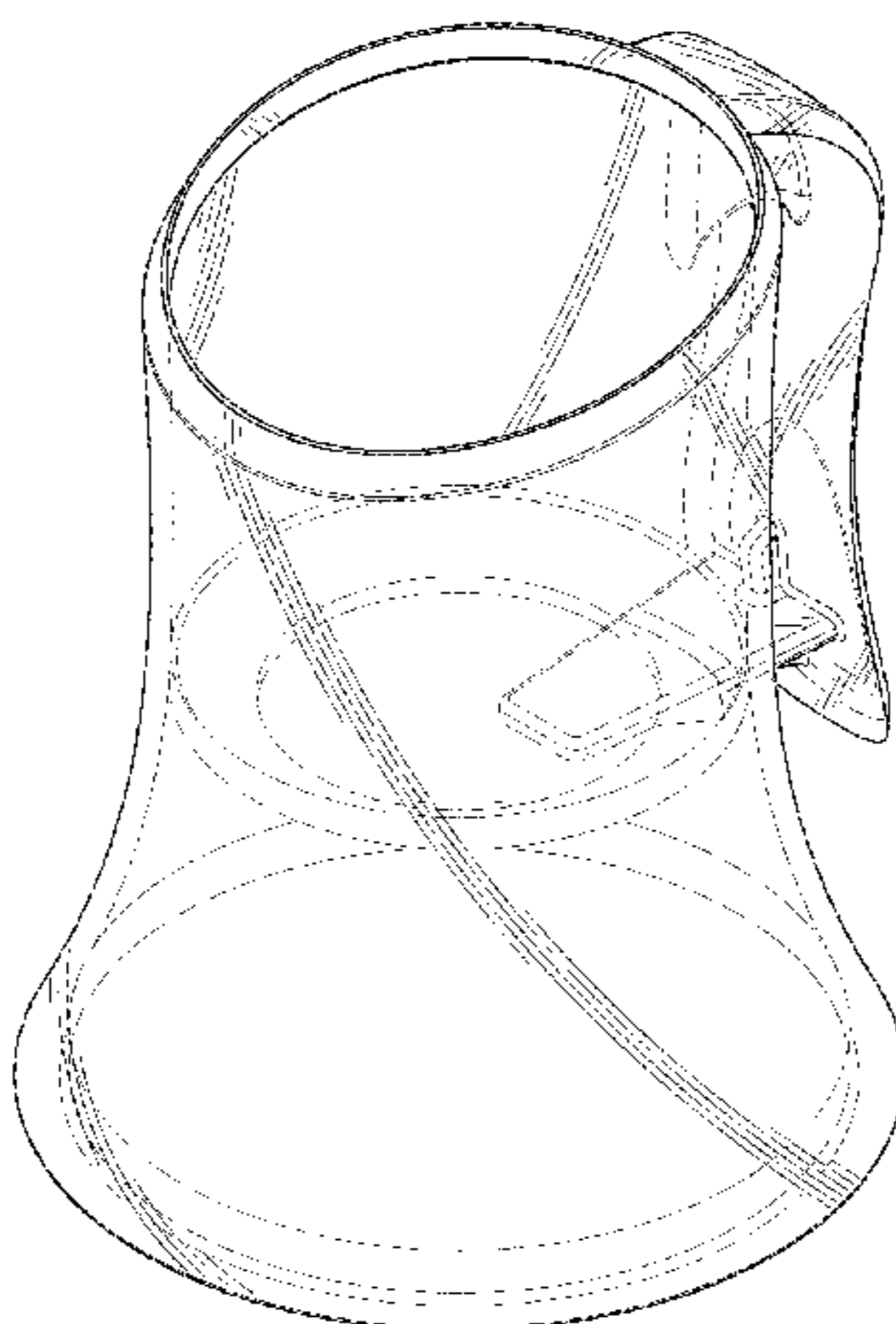


FIG. 7 is a bottom view thereof; and,
 FIG. 8 is a bottom perspective view thereof.

1 Claim, 7 Drawing Sheets

(56) **References Cited**

U.S. PATENT DOCUMENTS

4,796,784	A *	1/1989	Spirk	A23G 9/00 222/252
D320,350	S *	10/1991	Fabiano	D9/434
D333,979	S *	3/1993	Cloutier	D9/434
5,224,634	A *	7/1993	Graham	A47G 19/12 215/396
D360,114	S *	7/1995	Whiteside, Jr.	D7/619.1
D388,584	S *	12/1997	Sugawara	D99/35
D443,292	S *	6/2001	Nottingham	D18/3.1
RE37,566	E *	3/2002	Cristea	B67C 9/00 141/364
6,491,187	B2	12/2002	Walters	
D488,962	S *	4/2004	Catt	D7/619.1
7,415,996	B2 *	8/2008	Favreau	A47G 23/0241 141/364
D615,399	S *	5/2010	Bran	D9/436
D649,048	S *	11/2011	Baker	D9/435
D685,644	S *	7/2013	Kallenbach	D9/534
D731,310	S *	6/2015	Demey	D9/434
D774,824	S *	12/2016	Gallagher	D7/313
9,579,262	B2 *	2/2017	Crawford	A61J 7/0046
2001/0023877	A1 *	9/2001	Walters	B65D 83/206 222/185.1
2012/0260487	A1 *	10/2012	Nichols	B65D 23/106 29/456
2016/0304270	A1 *	10/2016	Godfroid	B65D 83/38

* cited by examiner

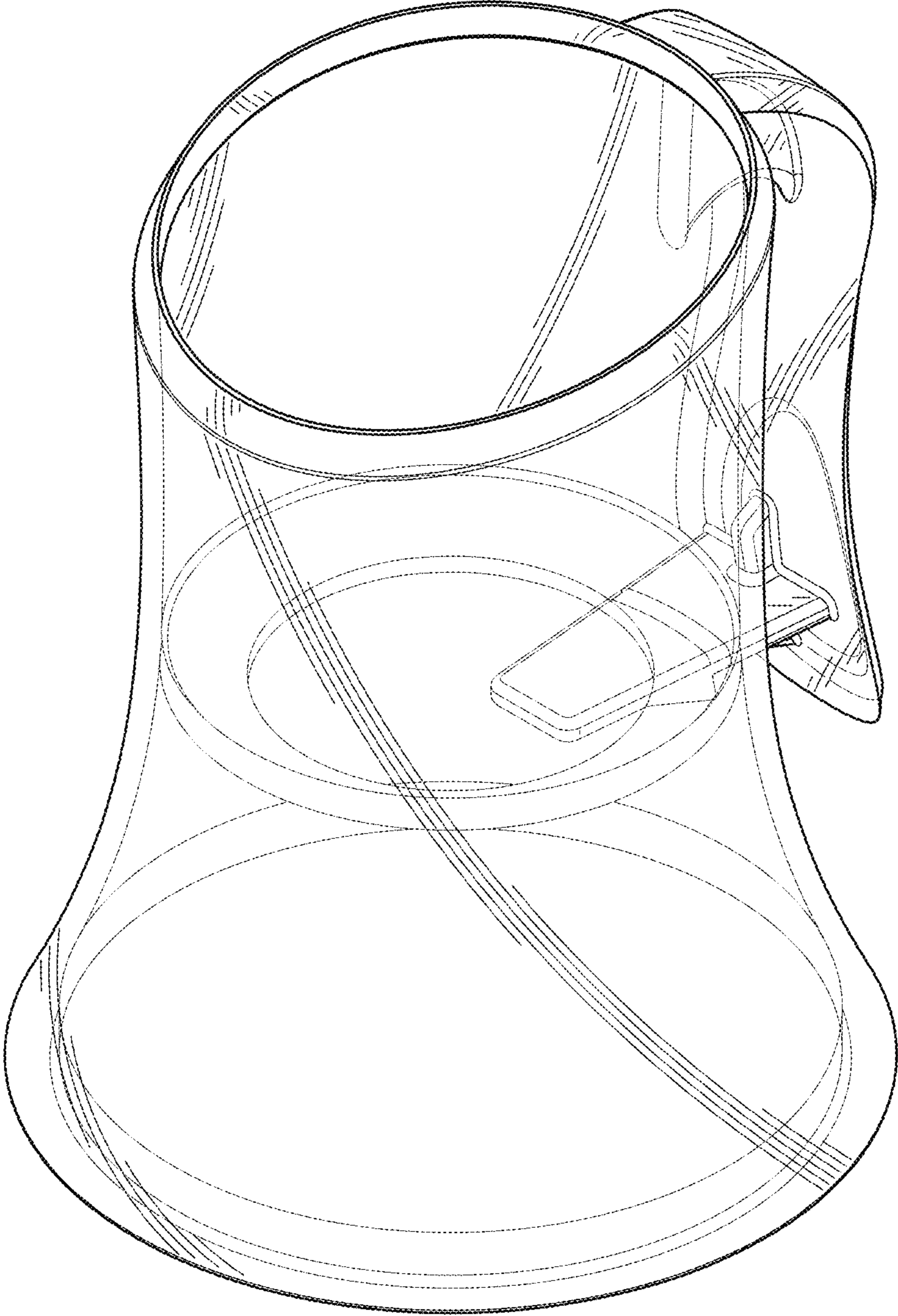


FIG. 1

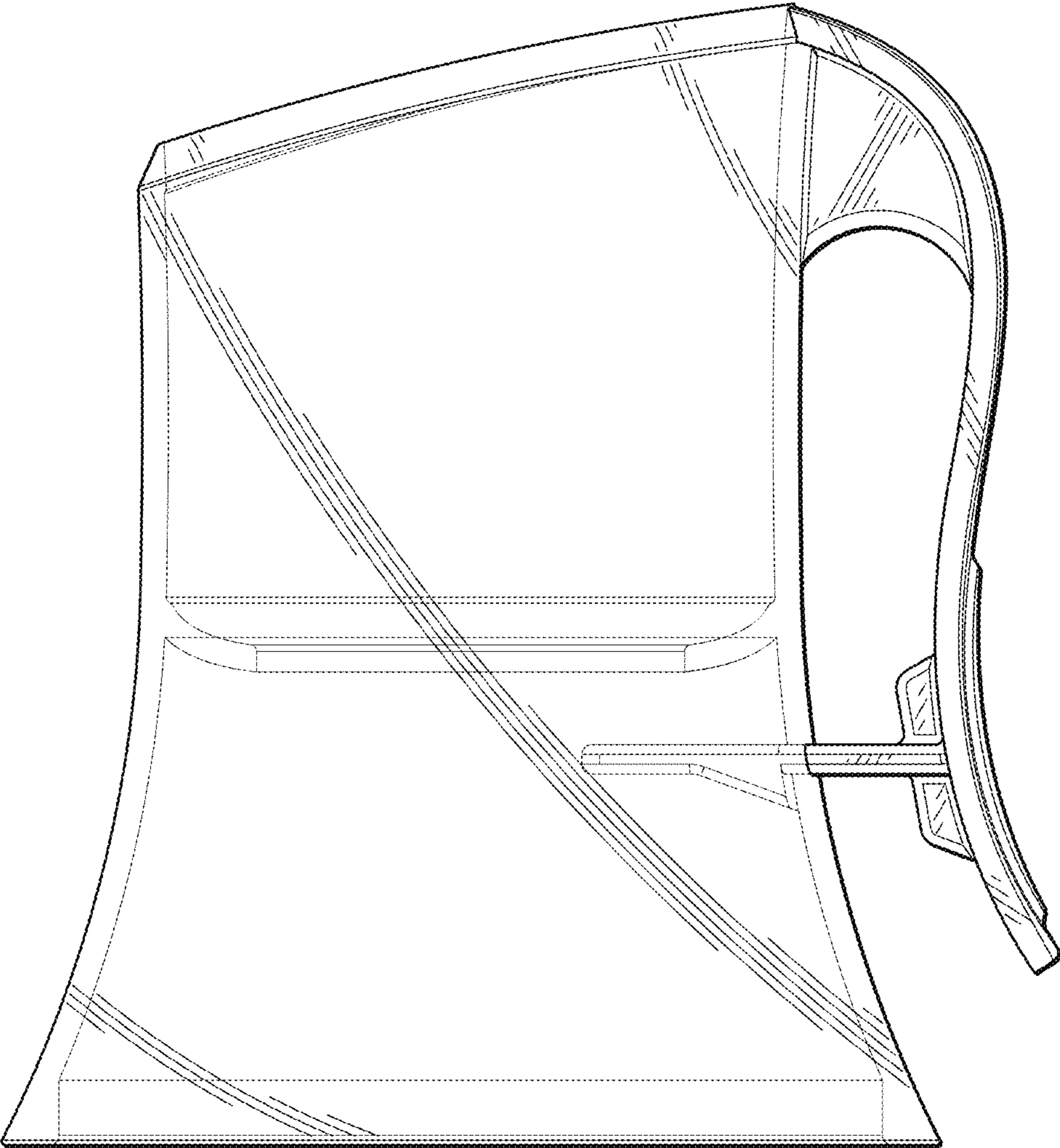


FIG. 2

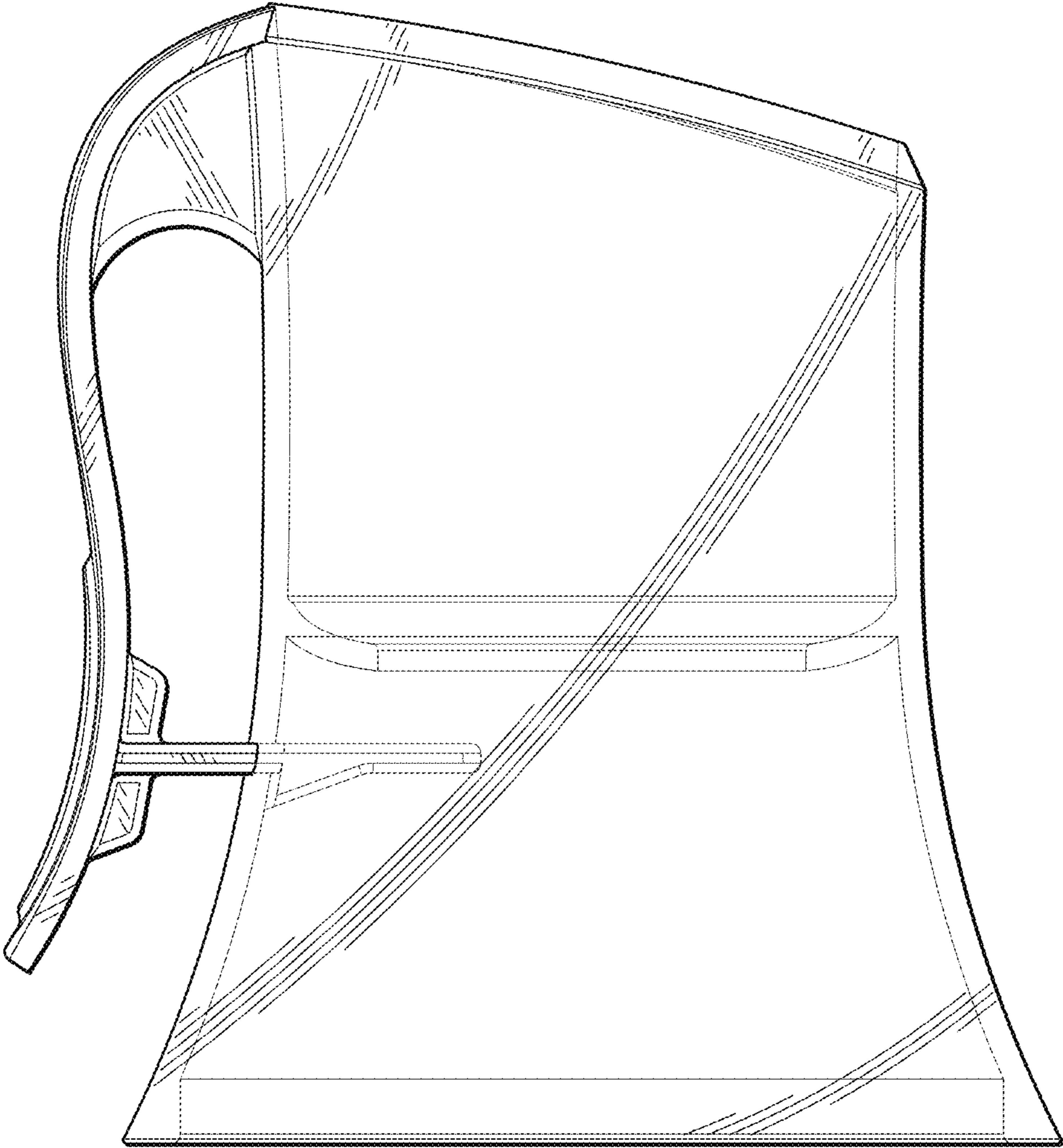


FIG. 3

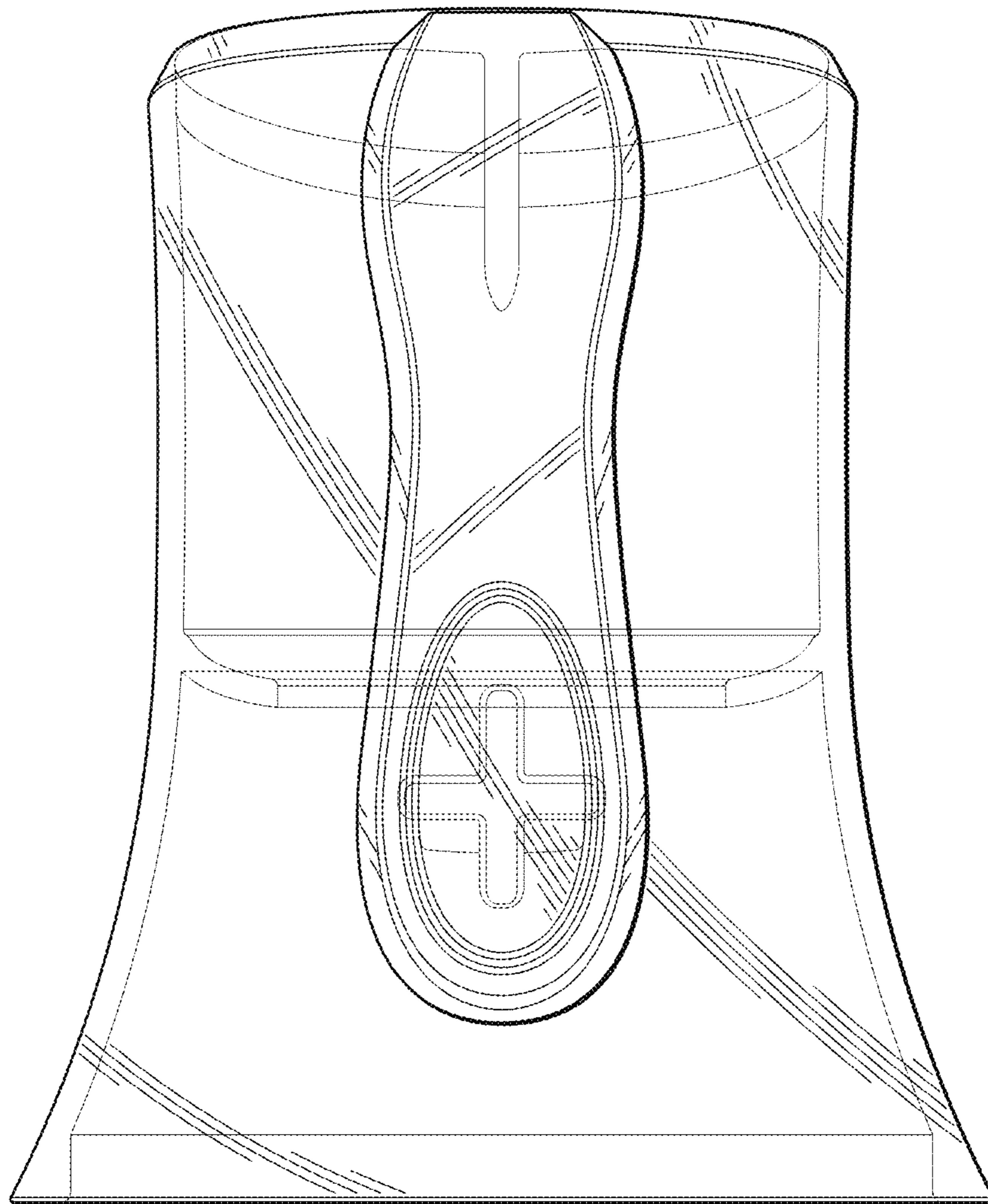


FIG. 4

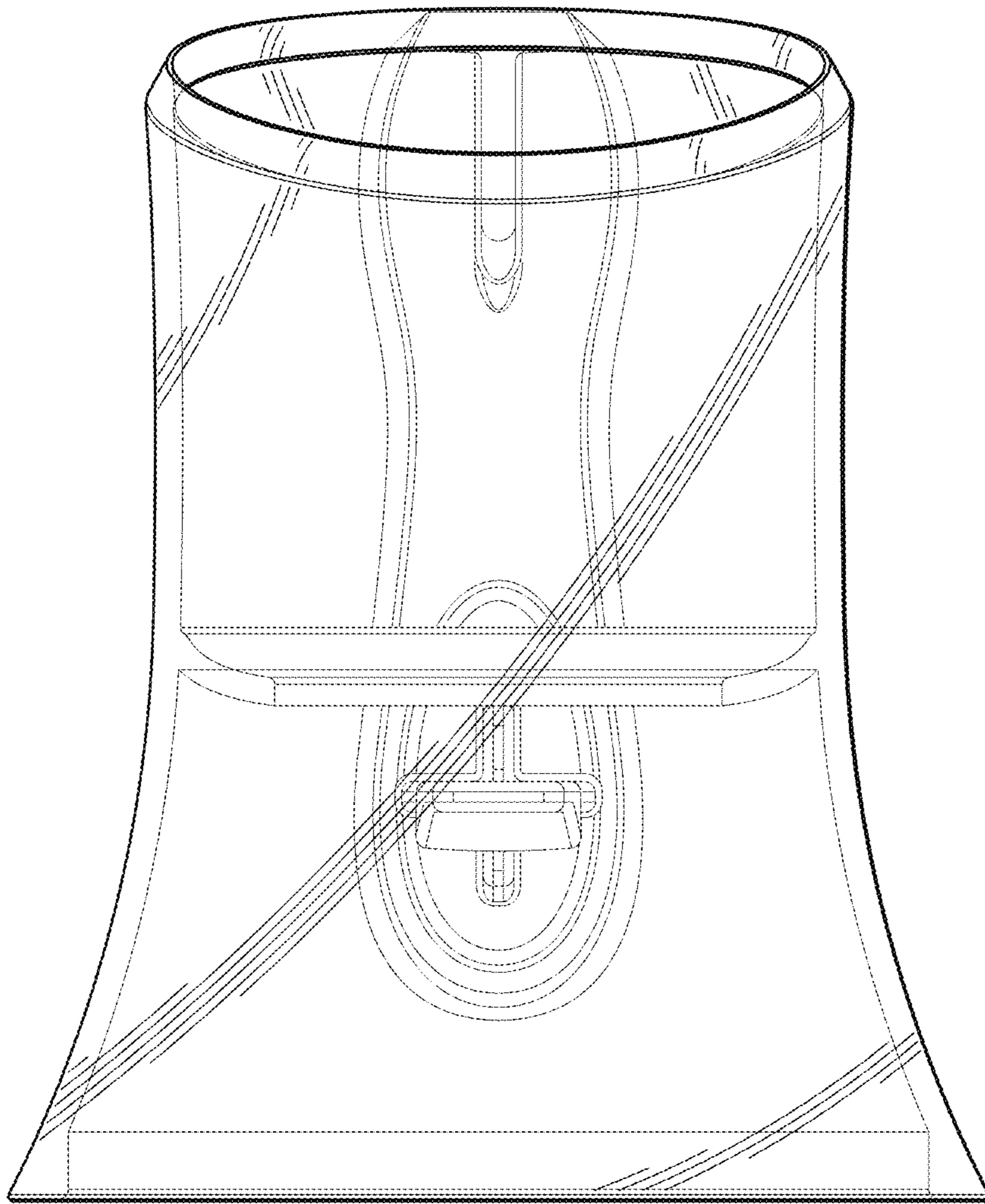


FIG. 5

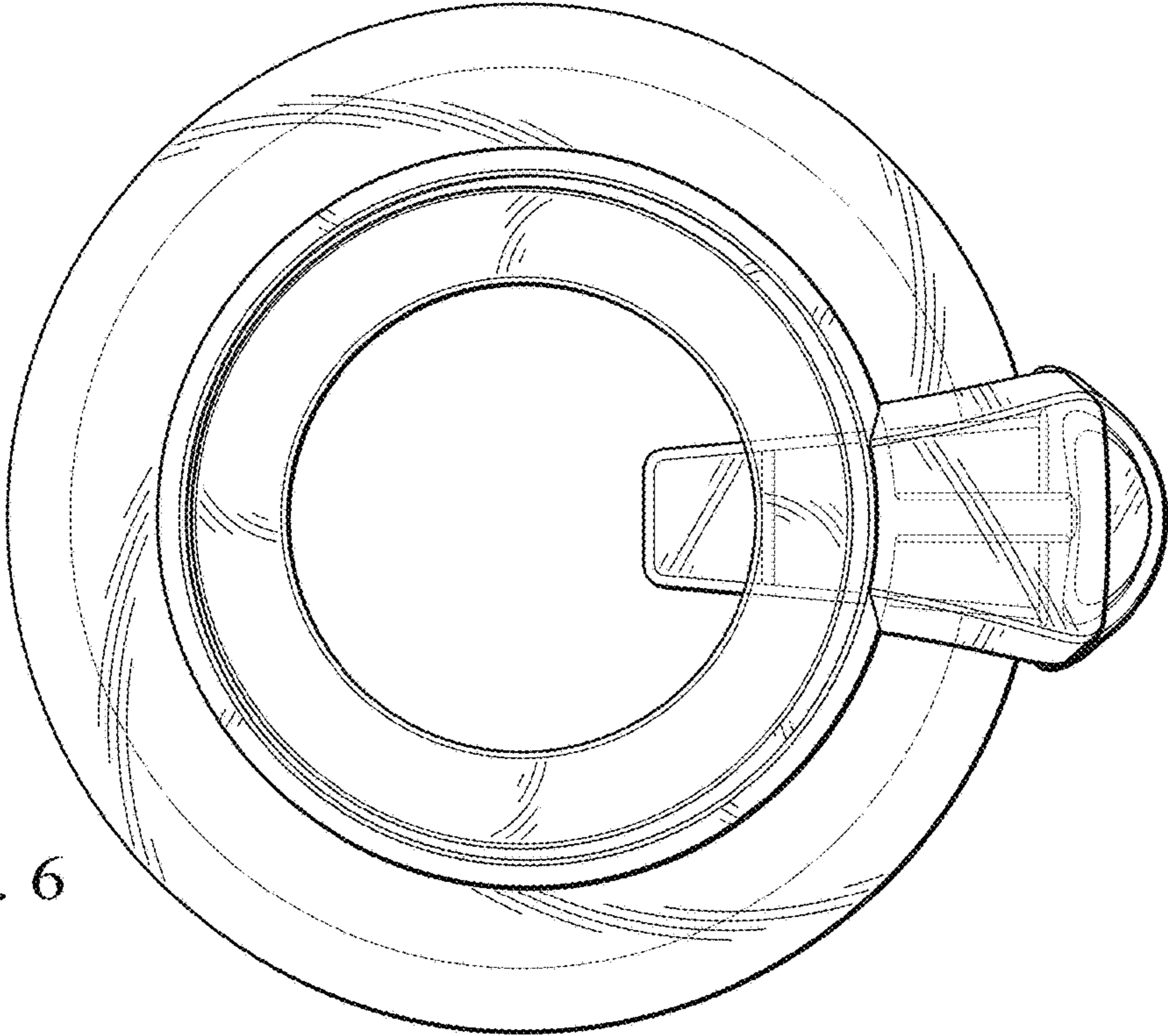


FIG. 6

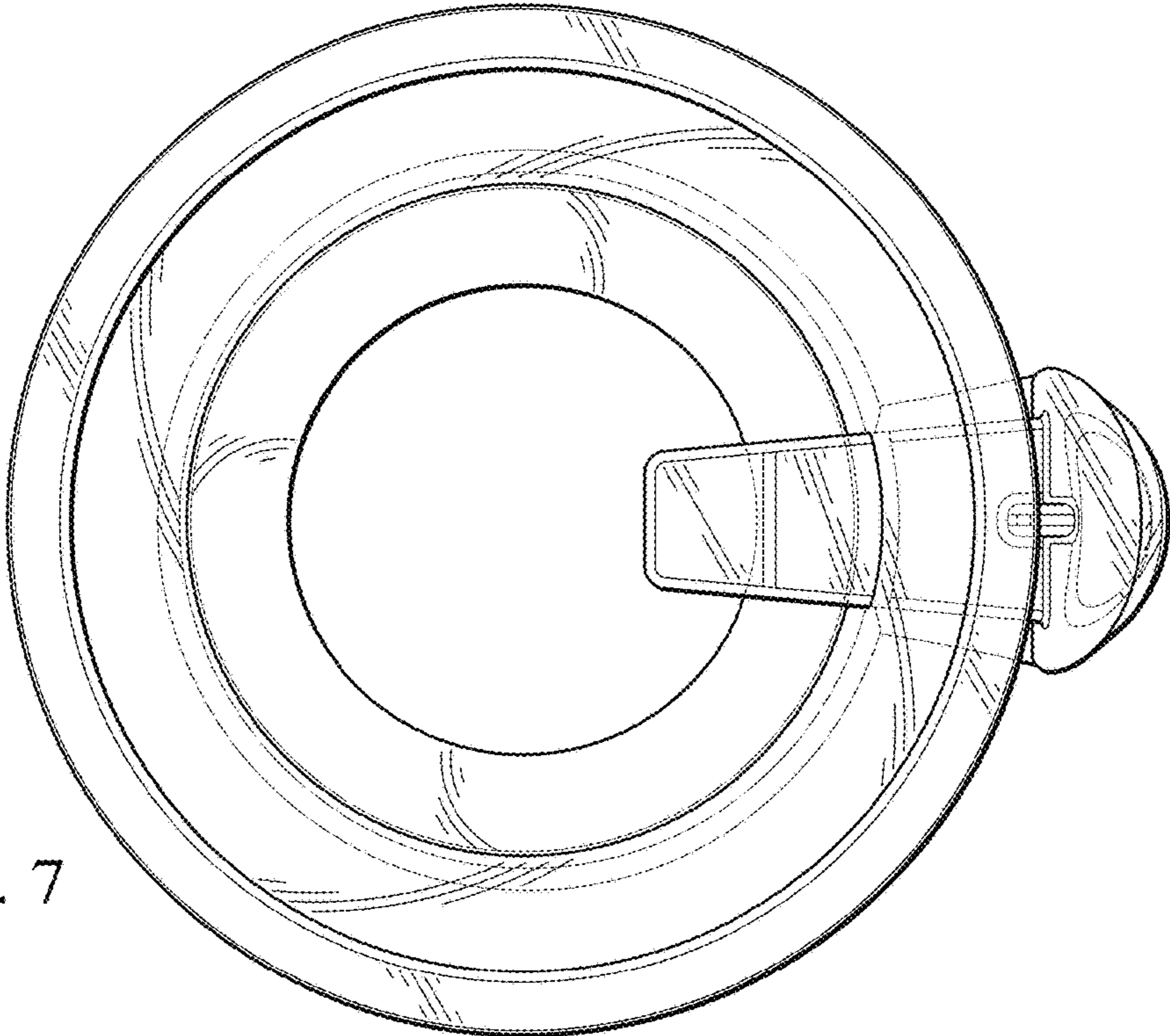


FIG. 7

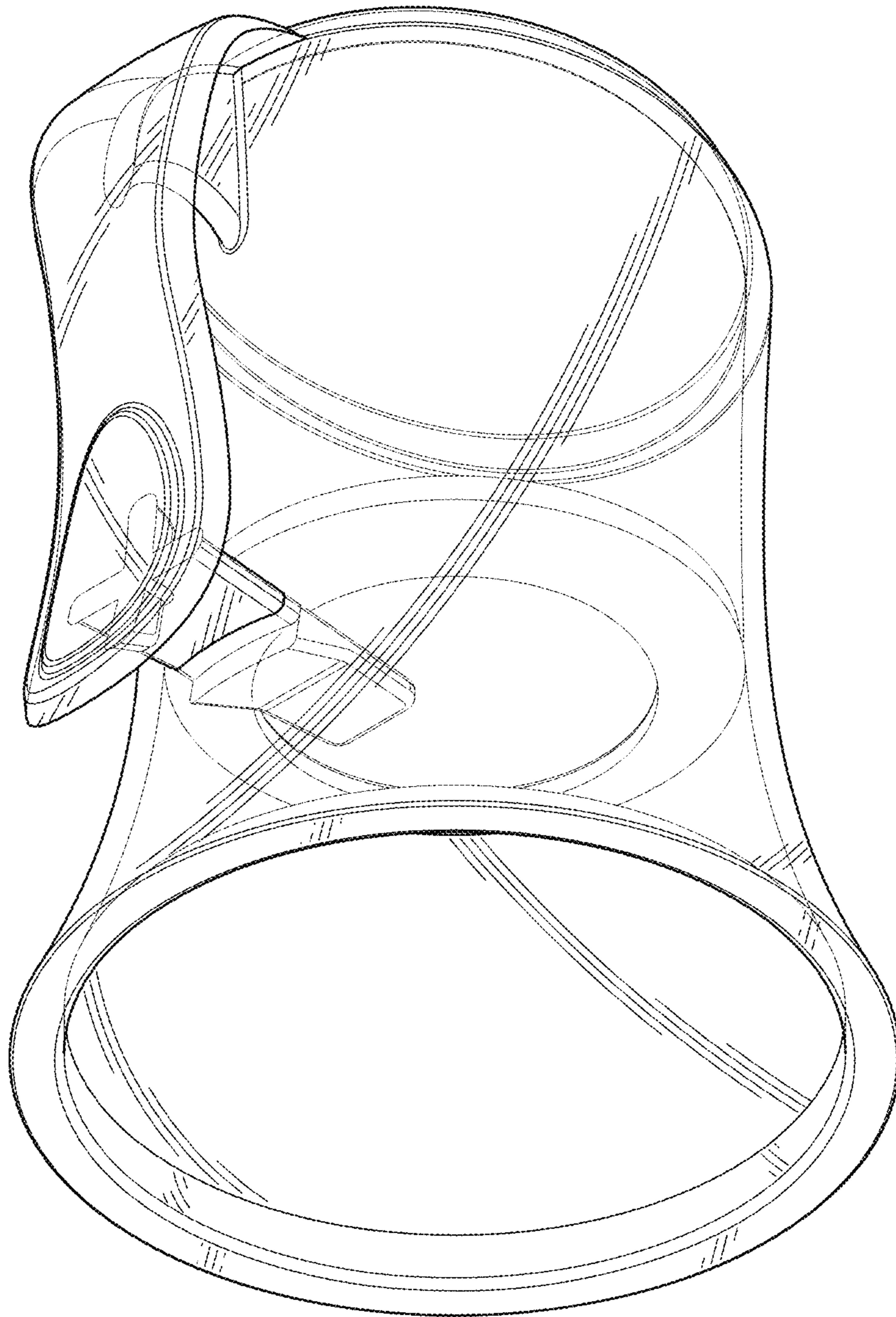


FIG. 8