



US00D804946S

(12) **United States Design Patent** (10) **Patent No.:** **US D804,946 S**
White (45) **Date of Patent:** **** Dec. 12, 2017**

(54) **MULTIPLE STRAW BEVERAGE PLUG**
(71) Applicant: **Sappy Sips, LLC**, Aurora, CO (US)
(72) Inventor: **Wendy White**, Aurora, CO (US)
(73) Assignee: **SAPPY SIPS, LLC**, Aurora, CO (US)
(**) Term: **15 Years**

D664,855 S * 8/2012 Teitelbaum D9/447
D691,877 S * 10/2013 Ganski D8/356
D724,758 S * 3/2015 Lumme, Jr. D25/36
D732,943 S * 6/2015 Butler D8/382
D739,206 S * 9/2015 Foret D11/220
D751,903 S * 3/2016 Kim D9/447
D753,488 S * 4/2016 Escobar D9/445
D754,919 S * 4/2016 Alarcon D27/101
2008/0244873 A1 * 10/2008 Yamashita A44B 1/04
24/90.1

(21) Appl. No.: **29/567,109**
(22) Filed: **Jun. 6, 2016**
(51) **LOC (10) Cl.** **09-01**
(52) **U.S. Cl.**
USPC **D9/447**
(58) **Field of Classification Search**
USPC D9/434-437, 439, 445-447, 454,
D9/503-504, 529, 544-545; D8/382,
D8/356; D11/125, 220, 222; D27/101
CPC B65D 43/162; B65D 81/263; B65D
51/1616; B65D 2543/00; A44B 1/04
See application file for complete search history.

* cited by examiner

Primary Examiner — Susan Bennett Hattan
Assistant Examiner — Camelia H Styles
(74) *Attorney, Agent, or Firm* — Bryan Cave LLP

(57) **CLAIM**

I claim the ornamental design for a multiple straw beverage plug, as shown and described.

DESCRIPTION

FIG. 1 is a perspective view of a multiple straw beverage plug showing the new design;
FIG. 2 is a side view thereof;
FIG. 3 is a top view thereof;
FIG. 4 is a bottom view thereof;
FIG. 5 is a perspective cross-sectional view thereof, taken in the direction of line 5-5 on FIG. 3;
FIG. 6 is a perspective view showing the design of FIG. 1 in an first alternate environment; and,
FIG. 7 is a perspective view showing the design of FIG. 1 in a second alternate environment.

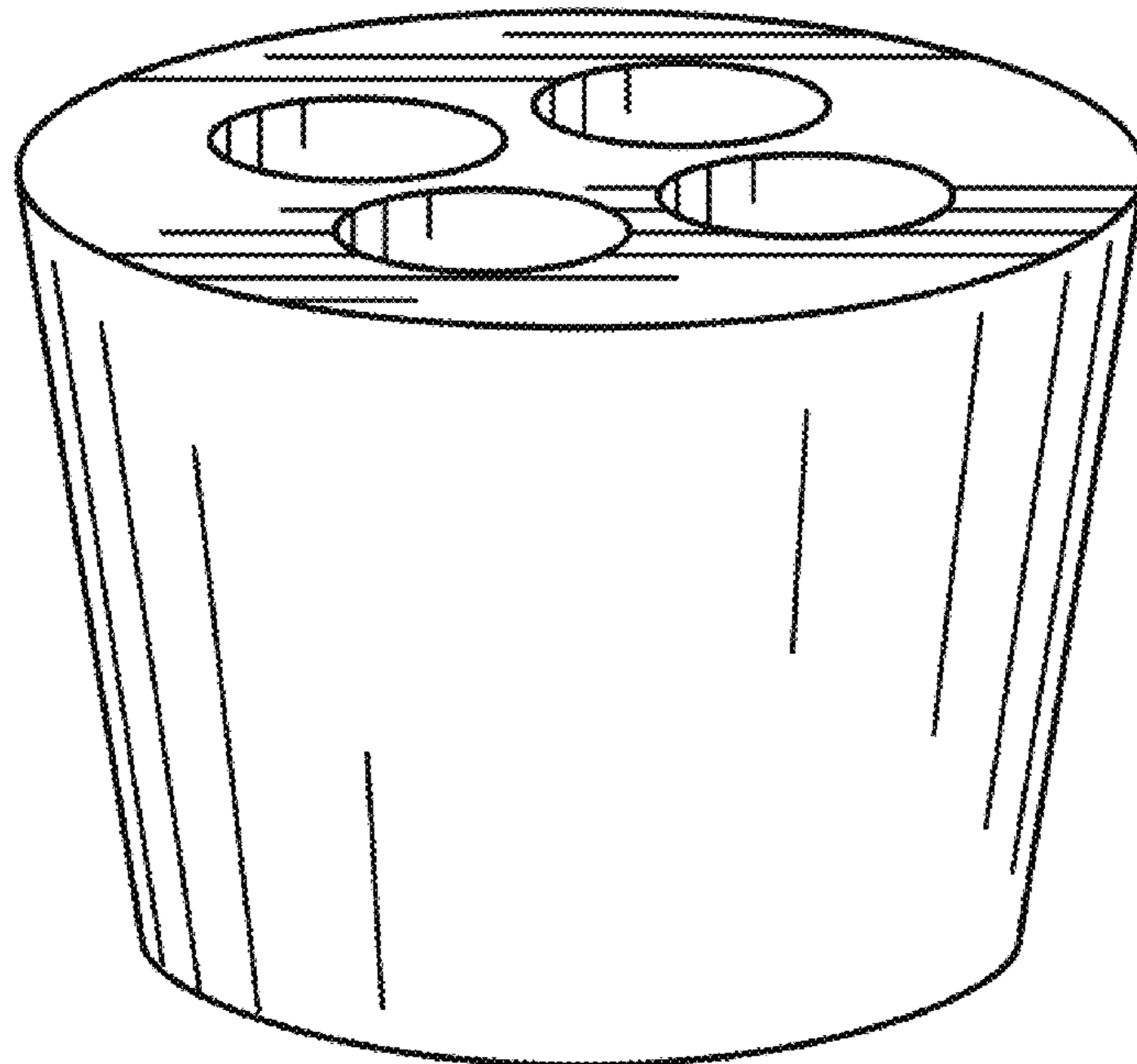
The broken lines in FIGS. 6-7 depict environmental subject matter only and form no part of the claimed design.

(56) **References Cited**

U.S. PATENT DOCUMENTS

D267,781 S * 2/1983 Thompson D9/447
D364,809 S * 12/1995 Thomas D9/439
D407,016 S * 3/1999 Nastasia D9/439
D474,997 S * 5/2003 Berzack D11/222
D516,953 S * 3/2006 Hollingworth D11/220
D634,238 S * 3/2011 Chen D11/125
D648,210 S * 11/2011 Reynoso D8/382
8,051,998 B1 * 11/2011 Giraud B65D 43/162
215/261

1 Claim, 3 Drawing Sheets



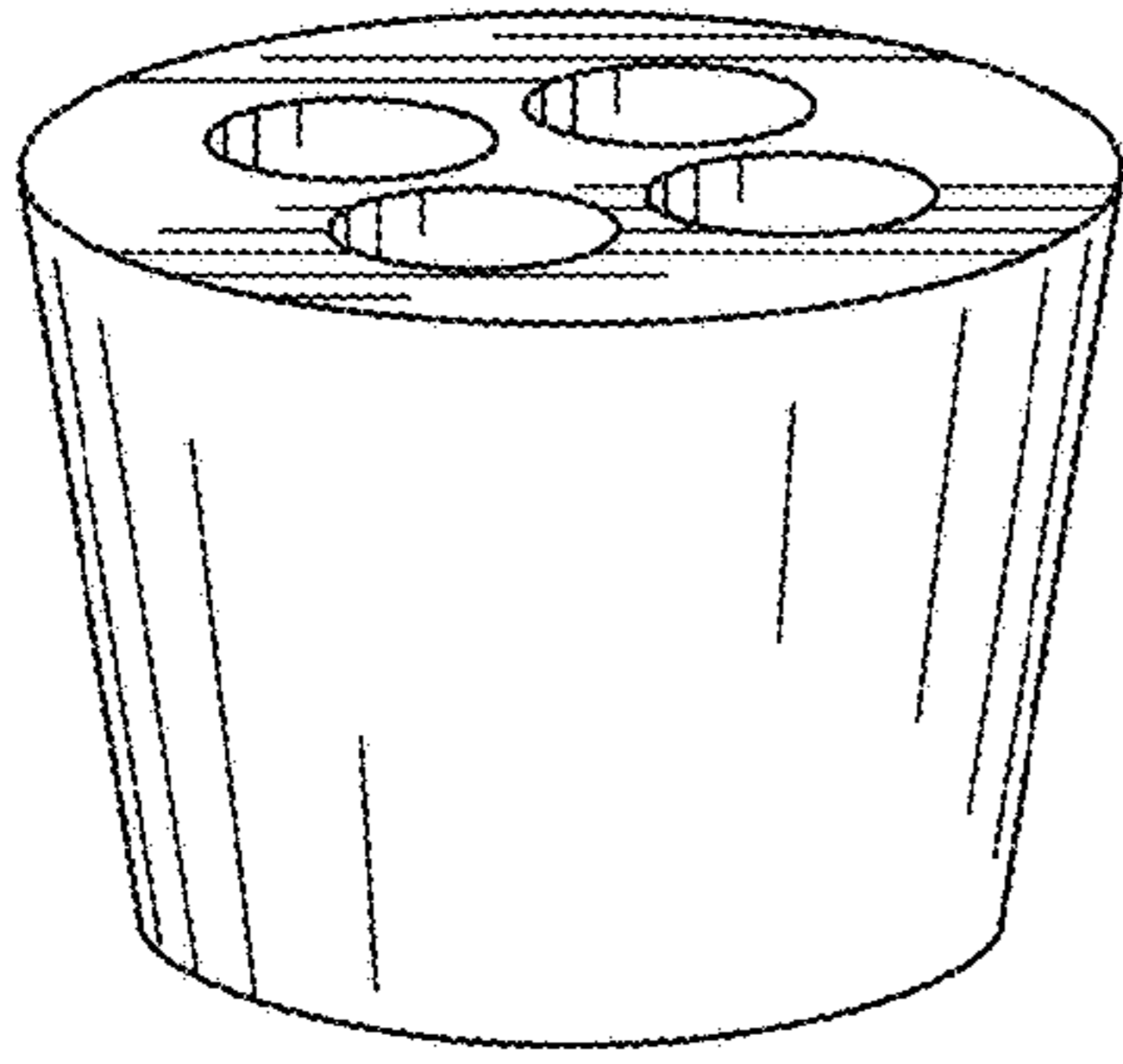


FIG. 1

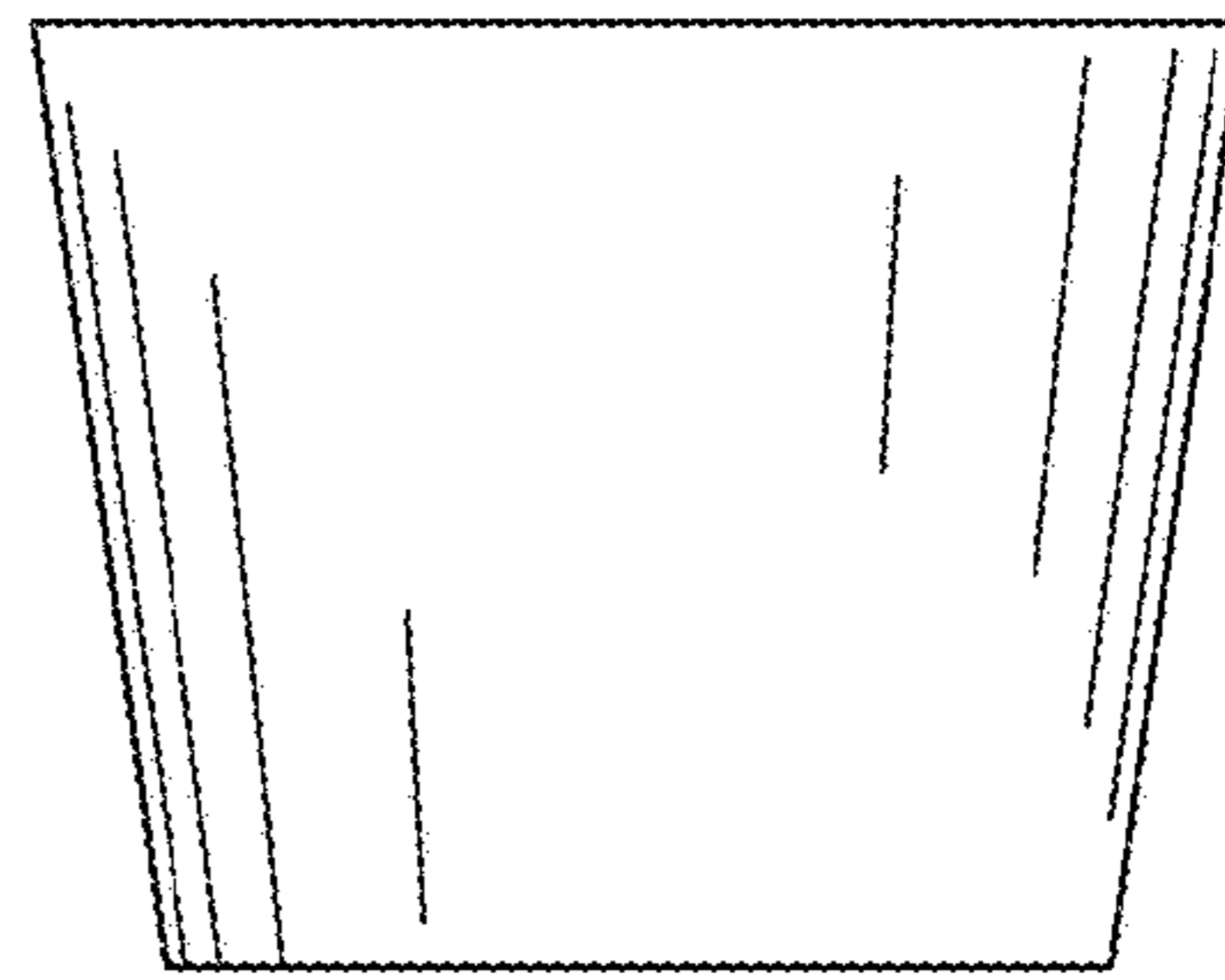


FIG. 2

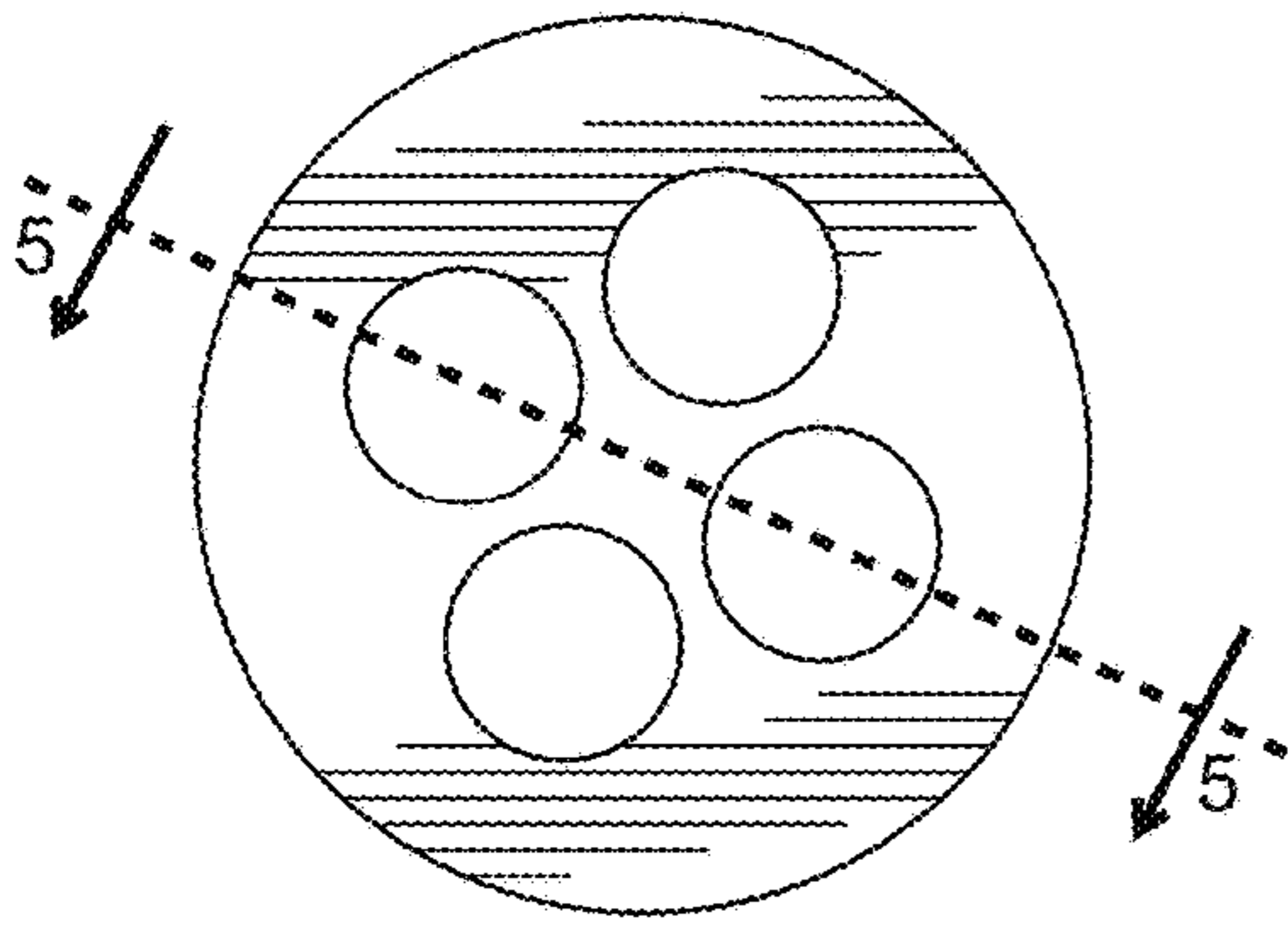


FIG. 3

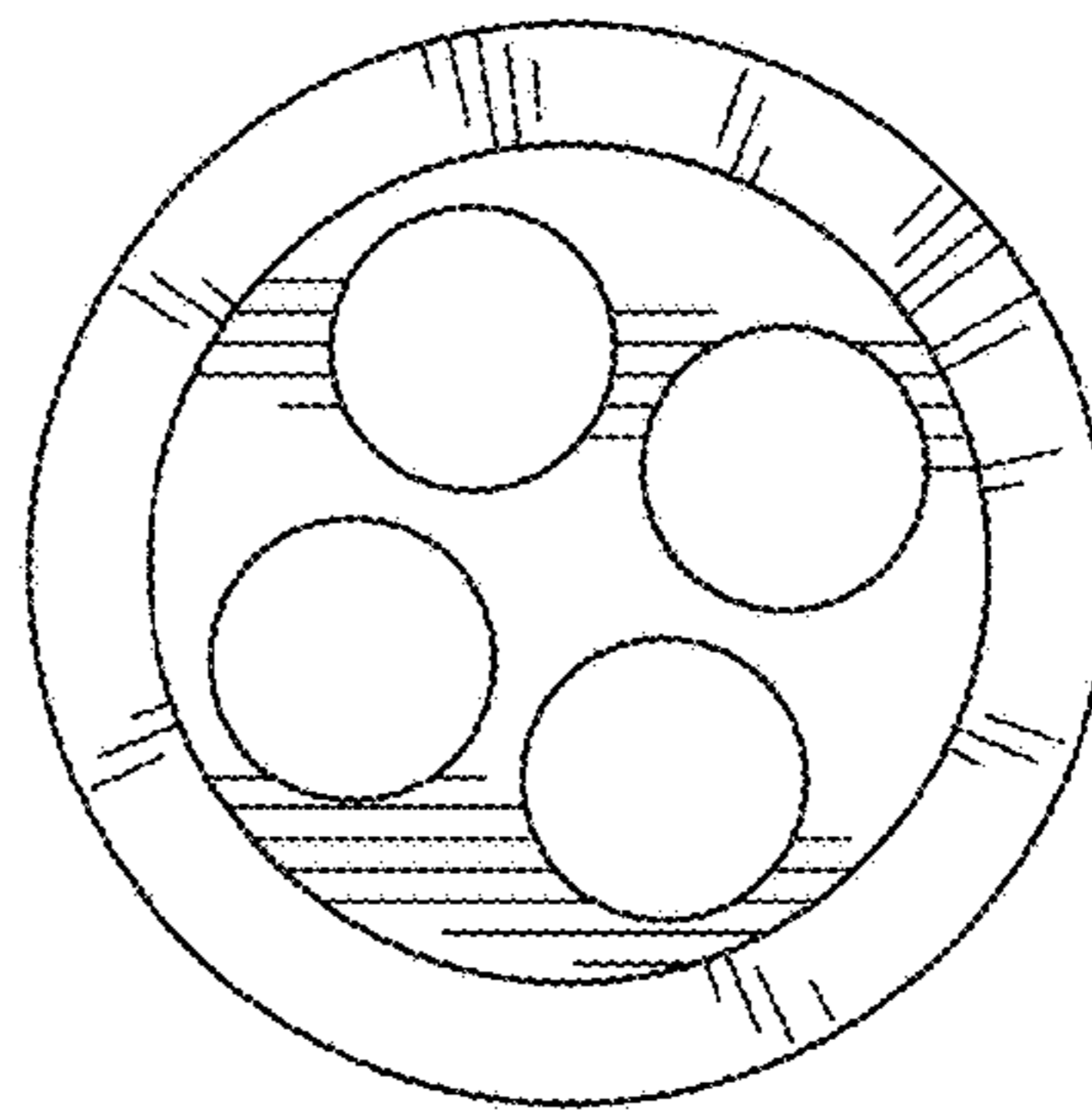


FIG. 4

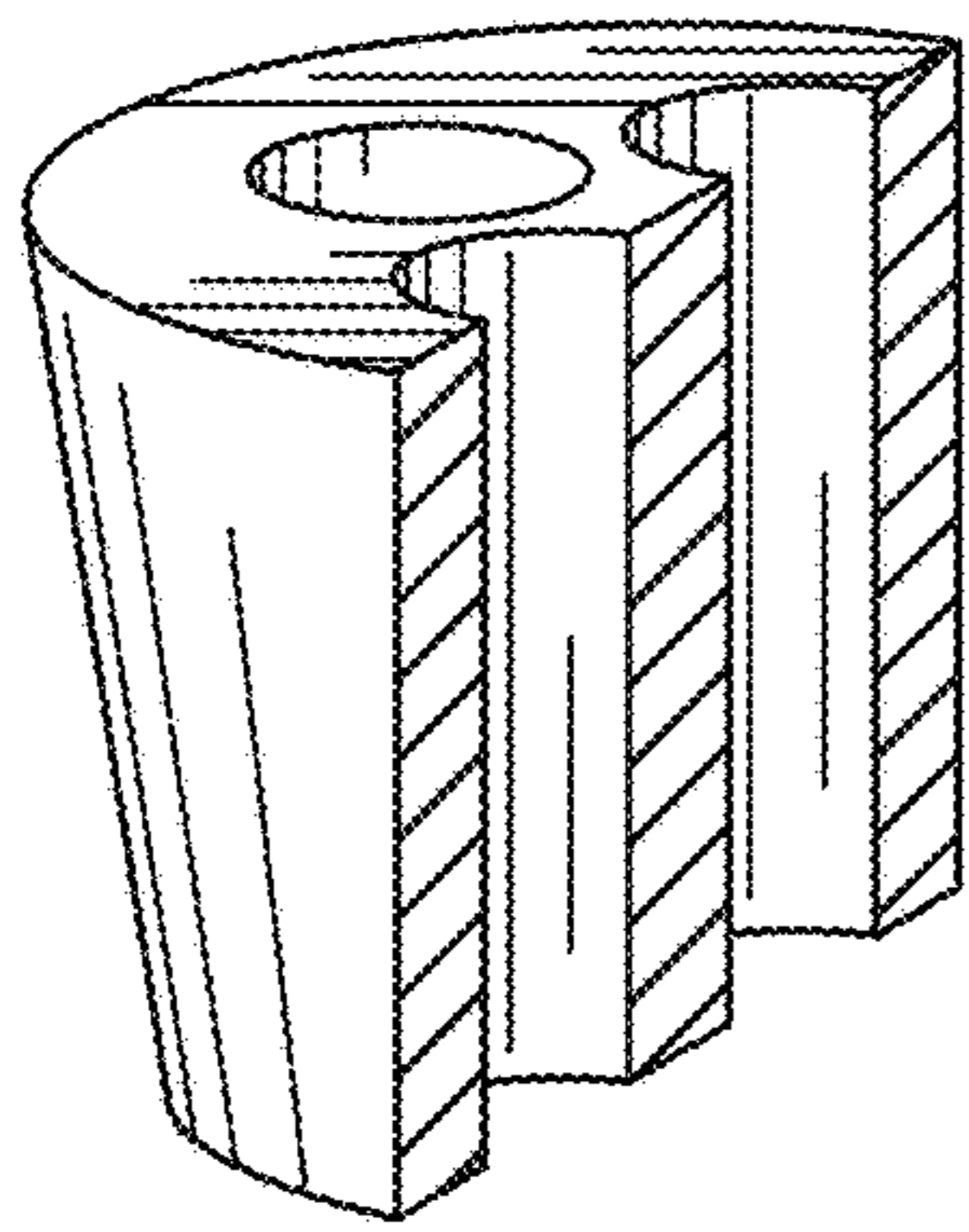


FIG. 5

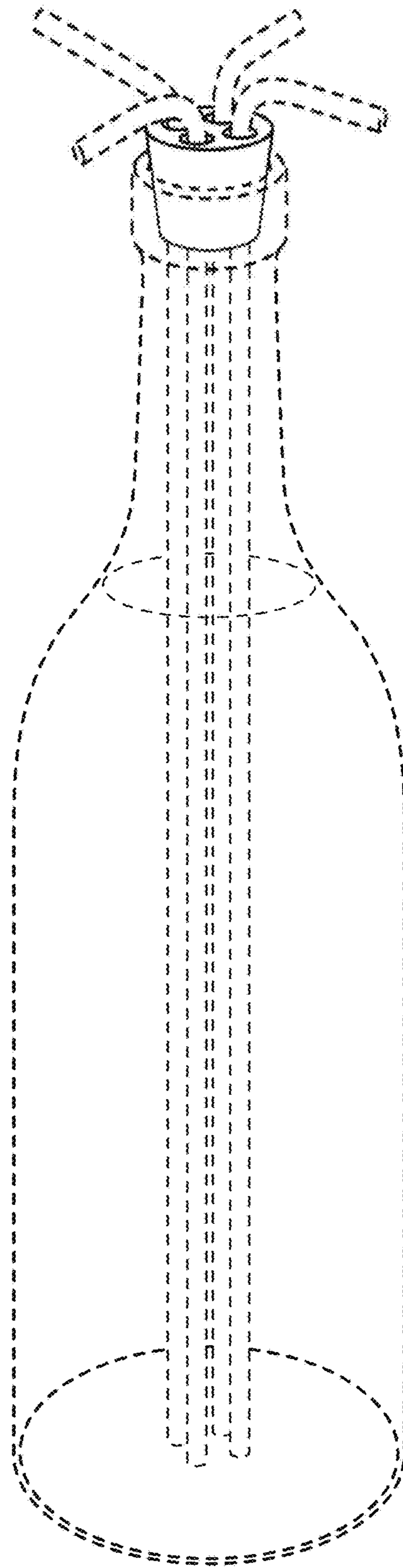


FIG. 6

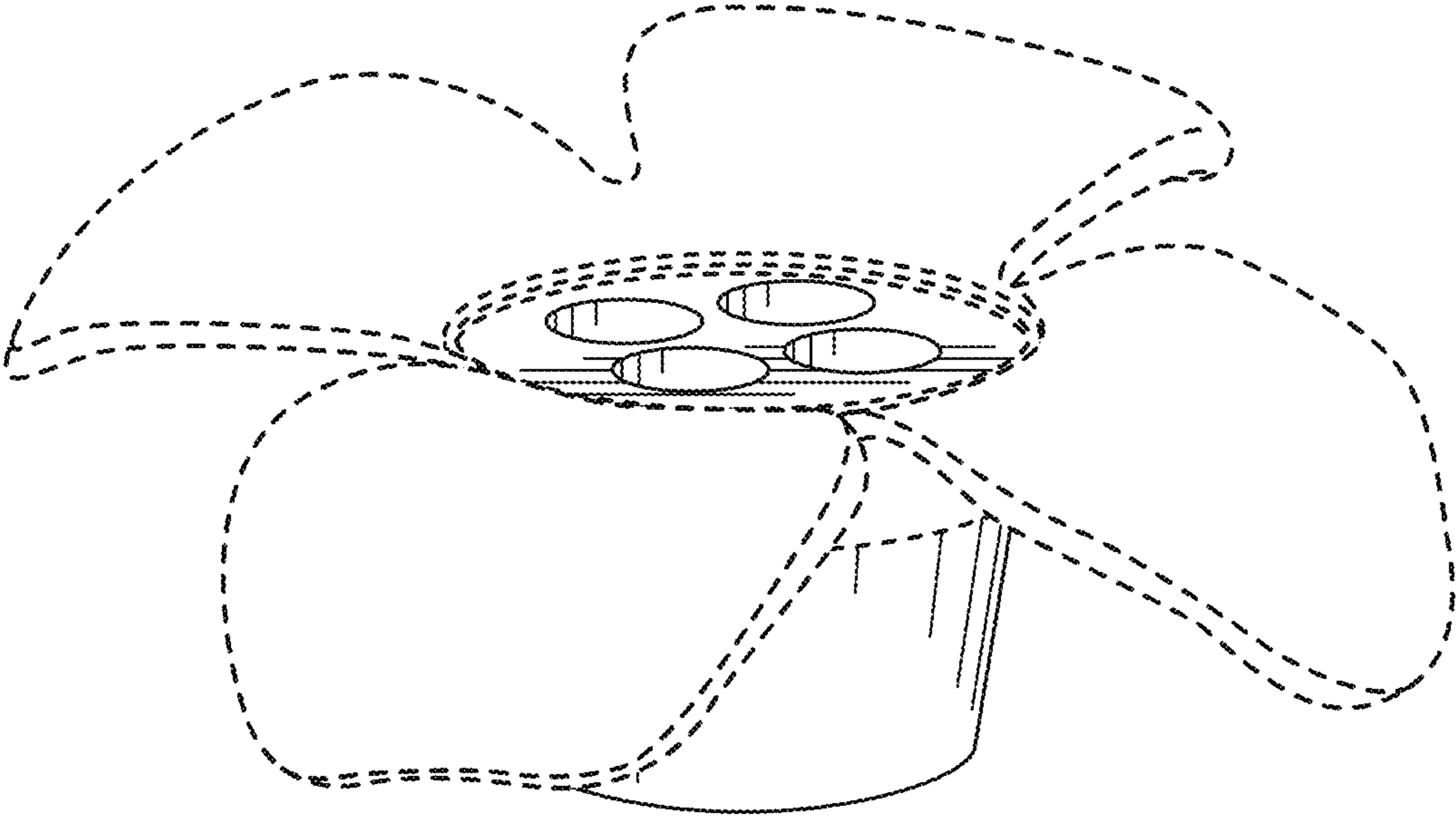


FIG. 7