



US00D804942S

(12) **United States Design Patent** (10) **Patent No.:** **US D804,942 S**
Toll et al. (45) **Date of Patent:** **** Dec. 12, 2017**

(54) **ADJUSTABLE P CLAMP**

FOREIGN PATENT DOCUMENTS

(71) Applicant: **Hellermann Tyton Corporation**,
Milwaukee, WI (US)

CN 3495030 12/2005
CN 300899334 * 4/2009

(Continued)

(72) Inventors: **Michael Toll**, Whitefish Bay, WI (US);
Gerard G. Geiger, Jackson, WI (US);
Christopher J. Rohde, West Allis, WI
(US); **Jonathan Zick**, Waukesha, WI
(US); **Walter Patrick Trautfield**,
Milwaukee, WI (US)

OTHER PUBLICATIONS

Markertek, HellermannTyton RCD180SM10 Ratchet P Clamp,
website 2017, p://www.markertek.com/ . . . googlebase
&gclid=CjwKCAjw2ZXMBRB2EiwA2HVD-PYr7Zy_39HAvA-
YYy_BRGI-ajD0tam4CZnk_j7eD5DGSQX-
PjXnoxoCdrUQAvD_BwE, [site visited Aug. 5, 2017 6:57:58
PM].*

(Continued)

(73) Assignee: **HELLERMANNTYTON**
CORPORATION, Milwaukee, WI
(US)

(**) Term: **15 Years**

Primary Examiner — John Windmuller
Assistant Examiner — John R Yeh

(21) Appl. No.: **29/591,411**

(74) *Attorney, Agent, or Firm* — Robert J. Myers

(22) Filed: **Jan. 19, 2017**

Related U.S. Application Data

(62) Division of application No. 29/560,432, filed on Apr.
6, 2016, now Pat. No. Des. 784,799.

(51) **LOC (10) Cl.** **08-08**

(52) **U.S. Cl.**

USPC **D8/396**

(58) **Field of Classification Search**

USPC D8/394–396, 71–72; D22/108;
D23/262–265, 296
CPC B65D 45/34; F16L 21/02; F16L 55/18; F16L
21/06; F16L 17/00; F16L 23/00; F16J
15/22; F16J 1/005

See application file for complete search history.

(56) **References Cited**

U.S. PATENT DOCUMENTS

4,264,047 A 4/1981 Nelson et al.
D263,332 S 3/1982 Butterfield
4,723,948 A * 2/1988 Clark A61M 39/12
285/243

D305,099 S 12/1989 Naruse
(Continued)

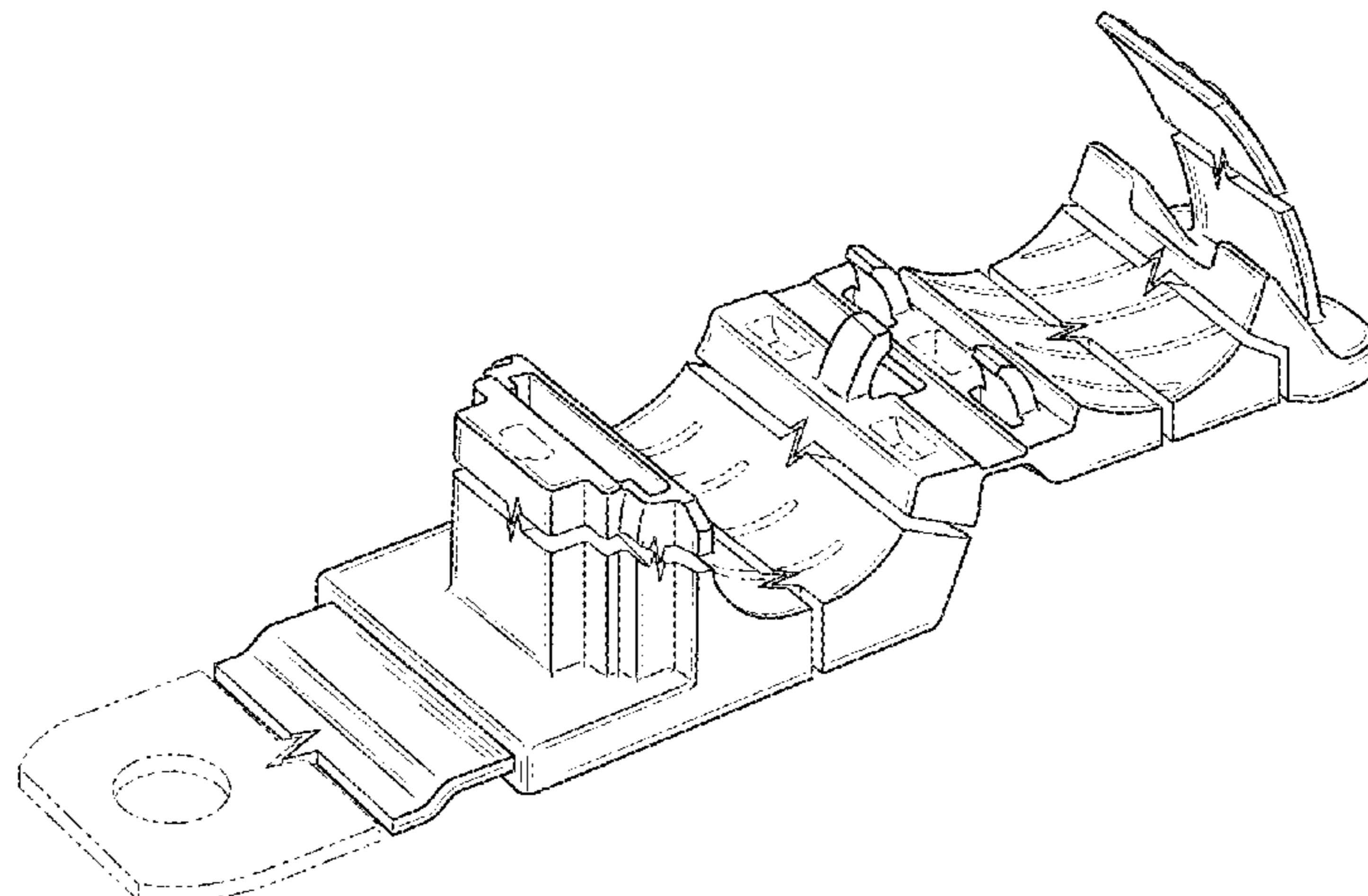
(57) **CLAIM**

The ornamental design for an adjustable P clamp, as shown
and described.

DESCRIPTION

FIG. 1 is a top plan view of our design for an adjustable P
clamp;
FIG. 2 is a front elevation view thereof;
FIG. 3 is a rear elevation view thereof;
FIG. 4 is a top plan view thereof;
FIG. 5 is a bottom plan view thereof;
FIG. 6 is a left side elevation view thereof; and,
FIG. 7 is a right side elevation view thereof.
The broken lines show portions of the adjustable P clamp
that form no part of the claimed design.
Portions of the adjustable P clamp are shown broken away
to indicate that those portions have no particular length
beyond what is shown.

1 Claim, 2 Drawing Sheets



(56)

References Cited

U.S. PATENT DOCUMENTS

5,020,749 A 6/1991 Kraus
 5,367,750 A 11/1994 Ward
 D380,144 S 6/1997 Lew
 D411,440 S 6/1999 Stahel
 D414,404 S 9/1999 van de Lande
 6,099,519 A * 8/2000 Olsen A61M 16/0463
 604/171
 D484,592 S * 12/2003 Ryhman D24/128
 D516,903 S 3/2006 Friedline
 D536,958 S * 2/2007 Ruhlander D8/396
 7,284,728 B2 10/2007 Connolly
 D559,671 S * 1/2008 Baxter D8/395
 D562,677 S 2/2008 Farber
 7,350,834 B2 * 4/2008 Ryhman F16L 23/04
 285/406
 D577,423 S 9/2008 Dole
 D580,748 S * 11/2008 Polak D8/394
 D614,947 S 5/2010 Hennon
 D625,585 S 10/2010 Kramer
 D665,247 S * 8/2012 Hammond D8/396
 D672,229 S 12/2012 Reid
 D676,314 S * 2/2013 Cude D8/396
 D692,294 S * 10/2013 Koeniger D8/396
 8,603,022 B2 * 12/2013 Lyons A61M 39/1011
 604/6.16
 D700,835 S * 3/2014 Langlois D8/396
 D708,053 S * 7/2014 Marini D24/127
 D711,730 S * 8/2014 McKiernan D8/396
 D716,444 S * 10/2014 Khalaj D24/128
 D721,950 S * 2/2015 Quinlan D8/396

D731,299 S * 6/2015 Sugiura D8/396
 9,127,740 B2 9/2015 Shinoda
 D761,101 S * 7/2016 Seo D8/396
 D762,463 S 8/2016 Espinosa, Jr.
 D770,885 S 11/2016 Miros
 D784,799 S * 4/2017 Toll D8/396
 D789,779 S * 6/2017 Asai B60R 16/0215
 D8/396

2013/0193289 A1 8/2013 Goffman
 2015/0304487 A1 10/2015 Chaput
 2016/0178090 A1 6/2016 Schilling
 2016/0318624 A1 11/2016 Skibba

FOREIGN PATENT DOCUMENTS

CN 303223493 5/2015
 EP 0069223 A1 1/1983
 EP 2058242 A1 5/2009
 EP 2141397 A1 1/2010
 JP D1525534 * 6/2015
 KR 300825369.0000 11/2015

OTHER PUBLICATIONS

HellermannTyton, P-Clamp, article date Feb. 2, 2016, <http://www.hellermannntyton.us/news.aspx?n=3801>, [site visited Nov. 30, 2016 6:20:38 PM].
 Rubber Lined P-Clip / P Clamps / Kainuo, website 2016, <http://clampcoupling.com/4-7-rubber-lined-p-clip/222379>, [site visited Nov. 30, 2016 7:22:01 PM].

* cited by examiner

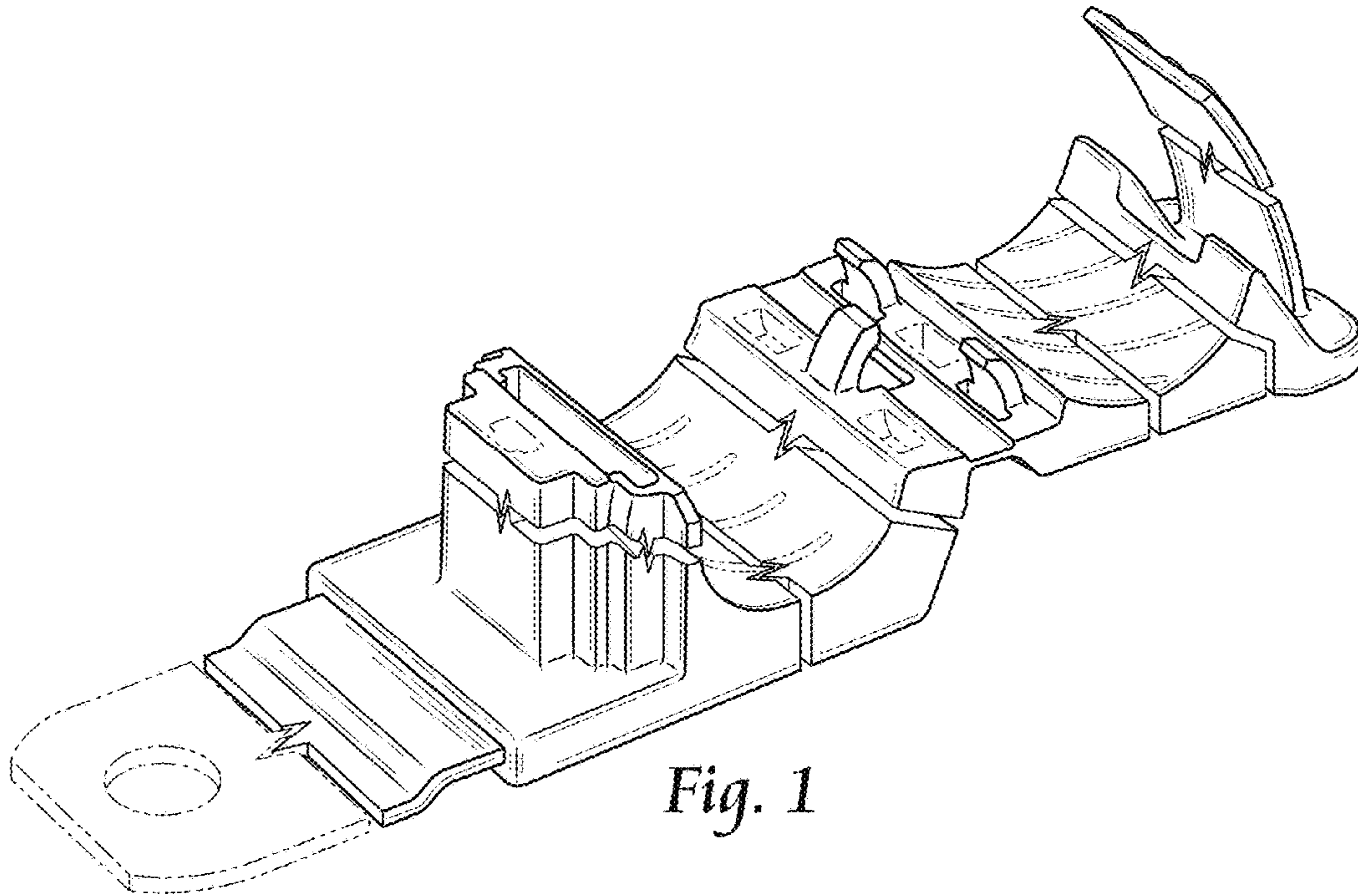


Fig. 1

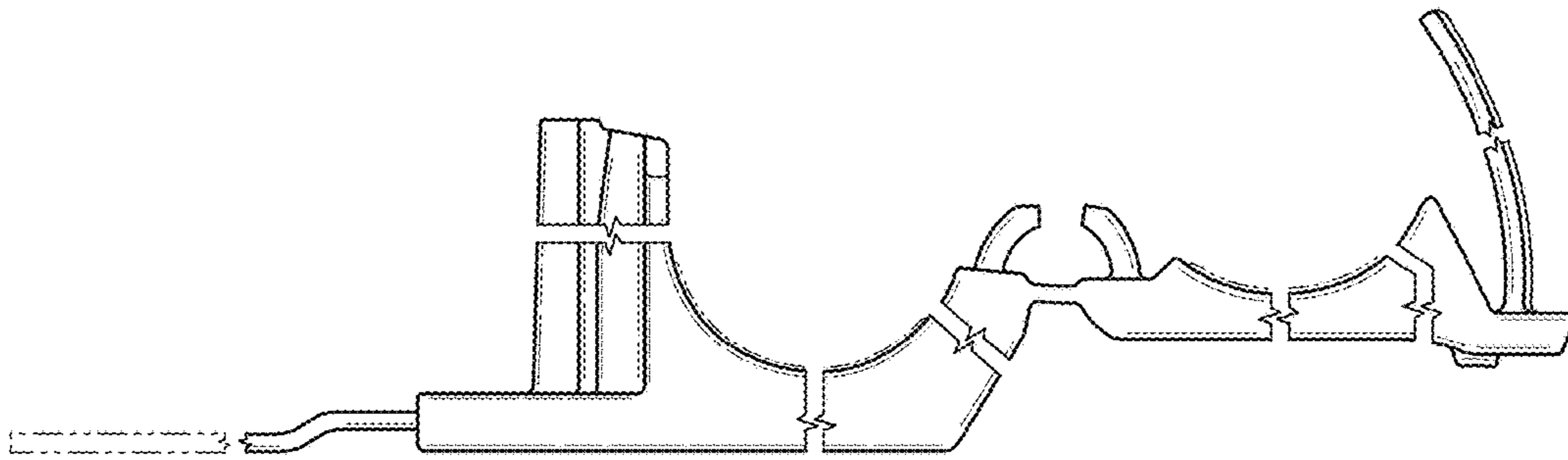


Fig. 2

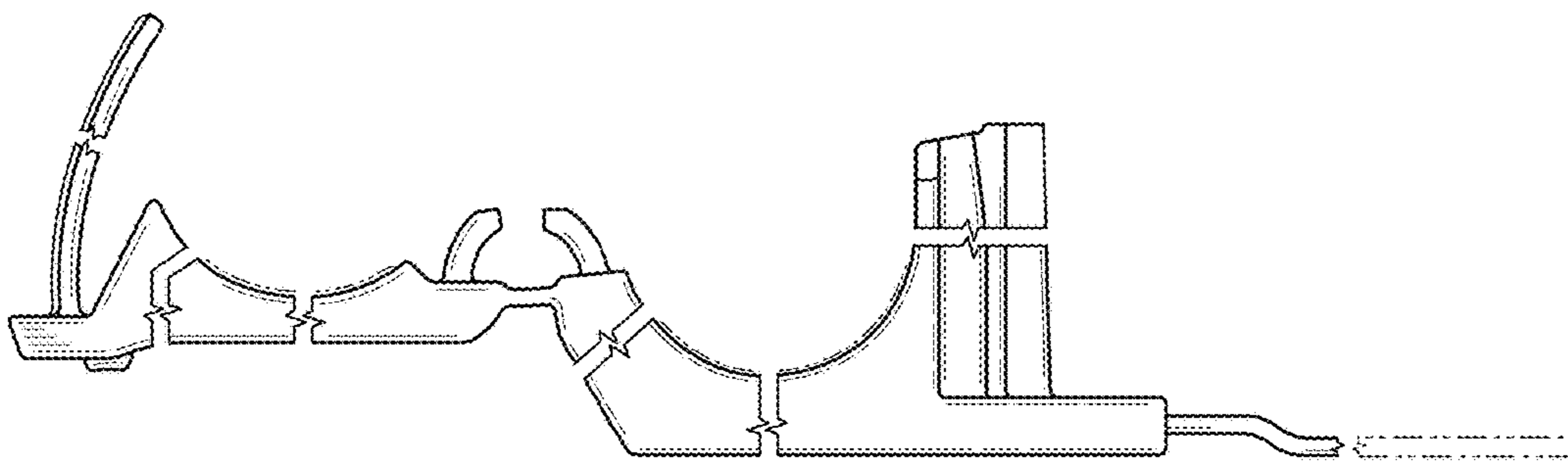


Fig. 3

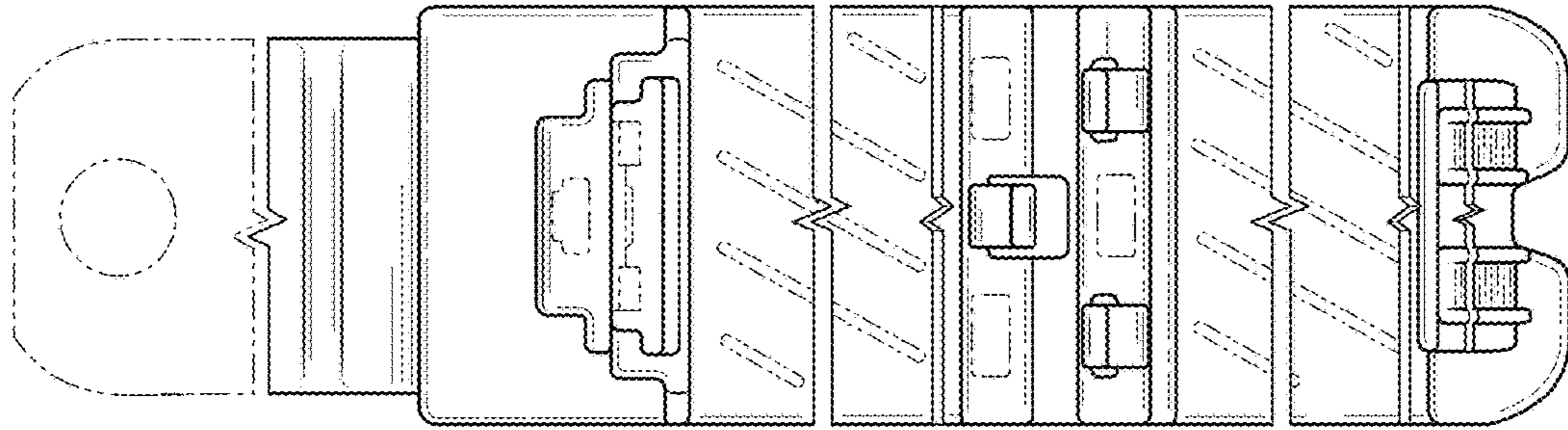


Fig. 4

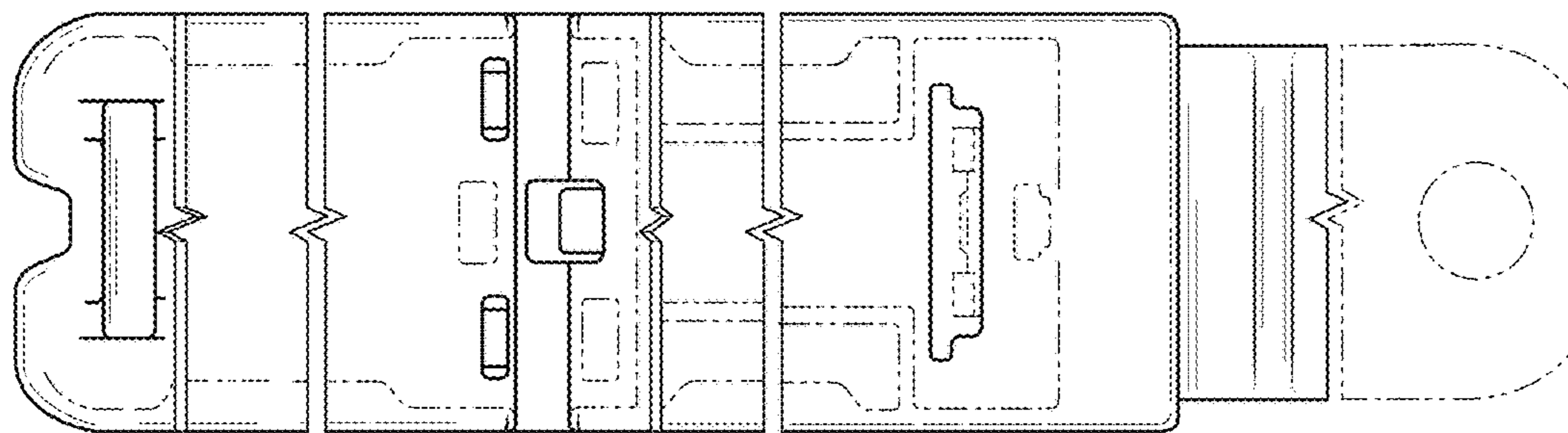


Fig. 5

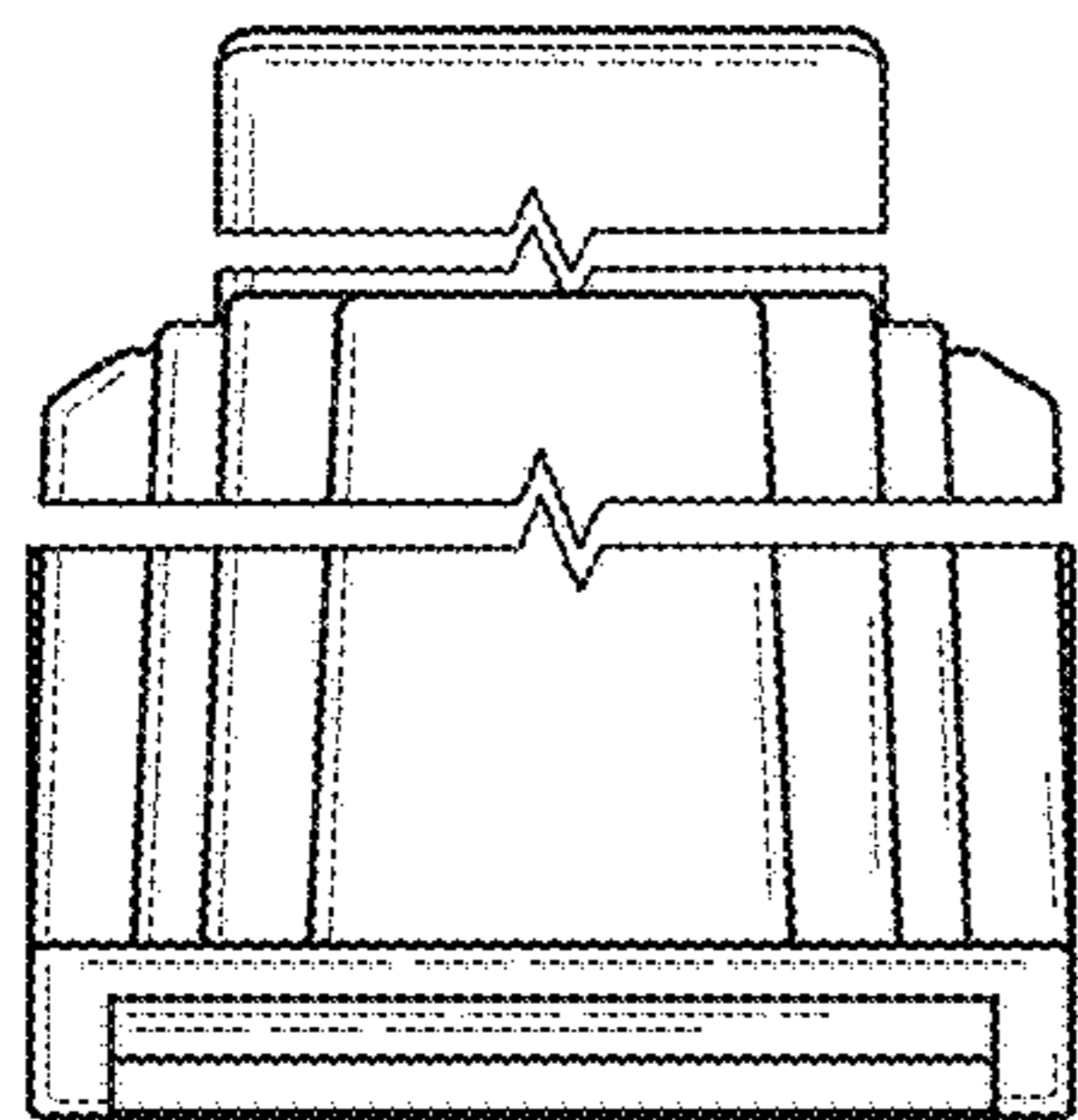


Fig. 6

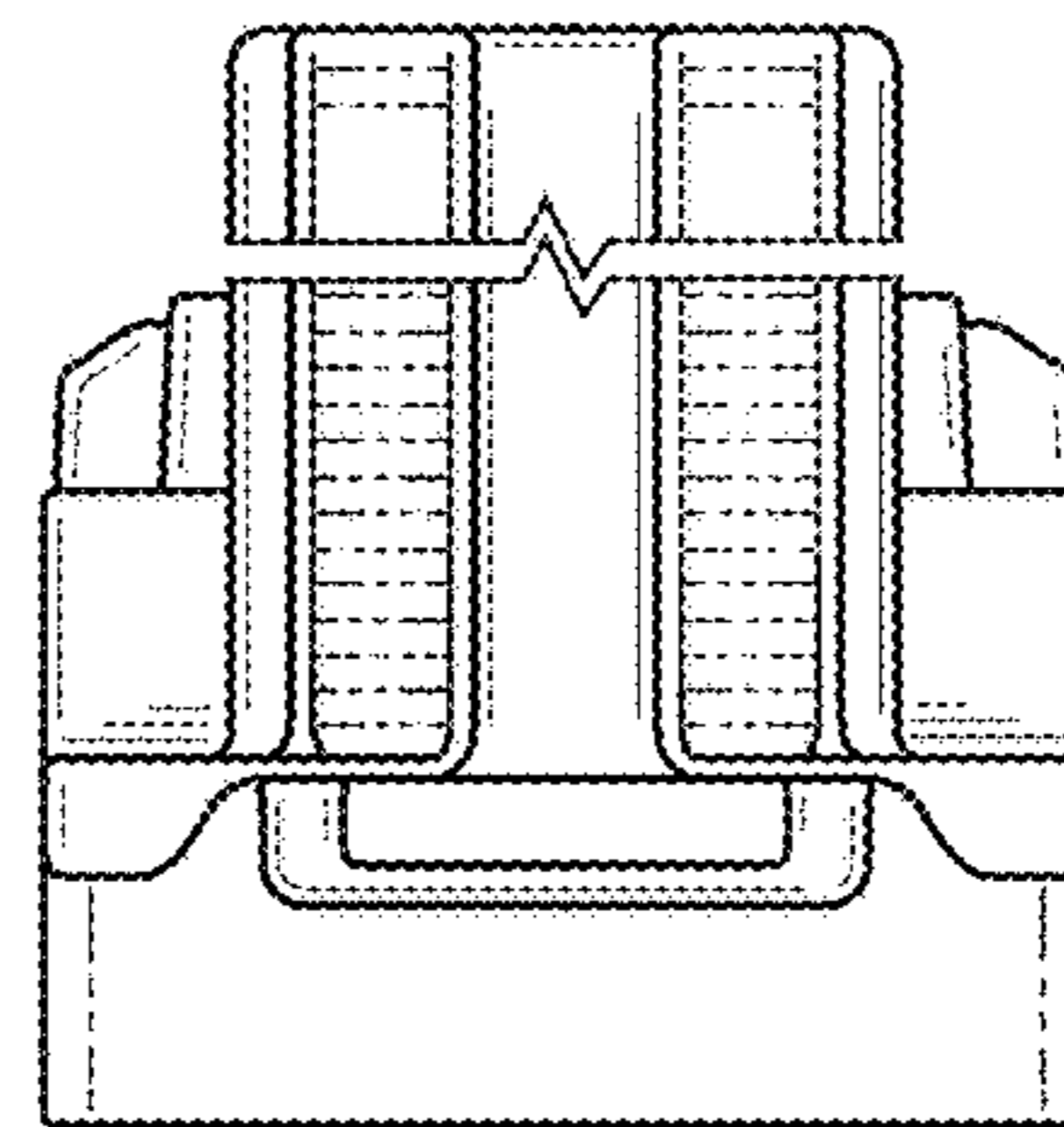


Fig. 7