



US00D804941S

(12) **United States Design Patent** (10) **Patent No.:** **US D804,941 S**  
**Scarlett** (45) **Date of Patent:** **\*\* Dec. 12, 2017**

(54) **WALL HANGING DEVICE** 3,063,669 A 11/1962 Bell  
3,282,547 A 11/1966 Ables  
(71) Applicant: **Chris S. Scarlett**, Ellensburg, WA (US) 3,861,631 A 1/1975 Shorin  
3,912,211 A 10/1975 Topf  
(72) Inventor: **Chris S. Scarlett**, Ellensburg, WA (US) 3,982,719 A 9/1976 Kilborne  
4,026,510 A \* 5/1977 Holmes ..... A47G 1/20  
24/698.1  
(73) Assignee: **Enterprise Design and Innovations, LLC**, Ellensburg, WA (US) 4,040,149 A 8/1977 Einhorn  
D301,975 S 7/1989 Mullen  
4,897,007 A \* 1/1990 Chen ..... F16B 15/06  
16/441  
(\*\*) Term: **15 Years** 5,018,697 A 5/1991 Treanor  
5,178,355 A 1/1993 Herzig  
(21) Appl. No.: **29/557,082** D348,386 S \* 7/1994 Cogburn ..... D8/367  
D354,924 S \* 1/1995 Garner ..... D10/106.91  
(22) Filed: **Mar. 4, 2016** D368,424 S \* 4/1996 Morey ..... D8/367  
(51) **LOC (10) Cl.** ..... **08-08**  
(52) **U.S. Cl.**  
USPC ..... **D8/388**  
(58) **Field of Classification Search**  
USPC .... D8/14, 40, 349, 354, 356, 373, 367, 382,  
D8/383, 388, 391, 392, 499; D19/65, 99;  
D6/300, 301, 317, 328  
CPC . A47G 1/20; A47G 1/16; A47G 1/162; A47G  
1/1633; A47G 1/1686; A47G 1/18; A47G  
2001/207; A47G 1/22  
See application file for complete search history.

*Primary Examiner* — Sandra Snapp  
*Assistant Examiner* — Ieisha Price

(57) **CLAIM**

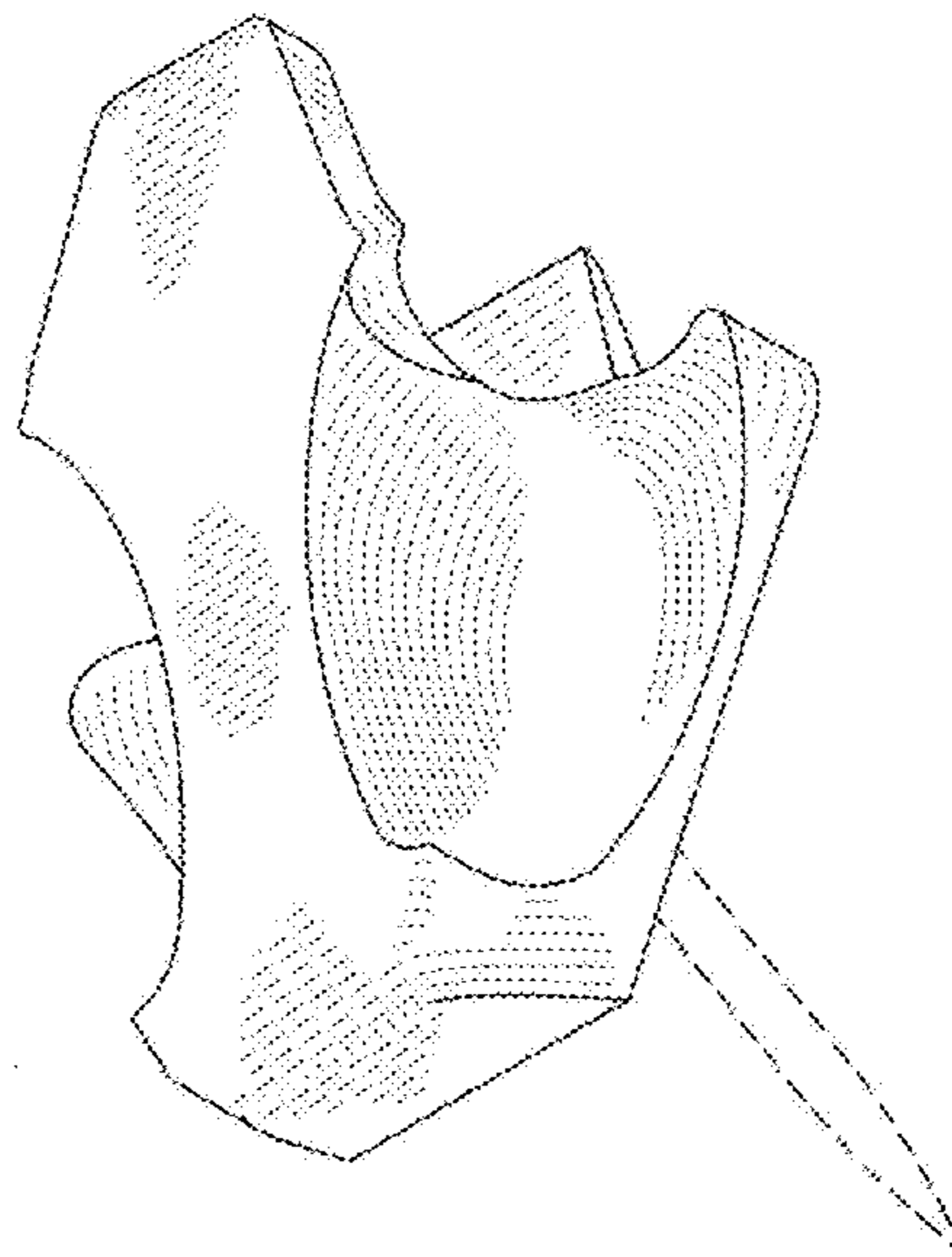
The ornamental design for a wall hanging device, as shown and described.

**DESCRIPTION**

FIG. 1 is a perspective view of the new design for a wall hanging device;  
FIG. 2 is a second perspective view thereof;  
FIG. 3 is a third perspective view thereof;  
FIG. 4 is a fourth perspective view thereof;  
FIG. 5 is a fifth perspective view thereof;  
FIG. 6 is a front elevation view thereof;  
FIG. 7 is a back elevation view thereof;  
FIG. 8 is a right side elevation view thereof, the opposite view being a mirror image;  
FIG. 9 is a top plan view thereof; and,  
FIG. 10 is a bottom plan view thereof.  
The broken lines depicting the pin represent unclaimed subject matter and form no part of the claimed design.

**1 Claim, 5 Drawing Sheets**

- (56) **References Cited**  
U.S. PATENT DOCUMENTS
- |             |         |           |
|-------------|---------|-----------|
| 674,438 A   | 5/1901  | Edmundson |
| 769,794 A   | 9/1904  | Fowler    |
| 992,203 A   | 5/1911  | Johnson   |
| 1,049,128 A | 12/1912 | Moore     |
| 1,185,587 A | 5/1916  | Bragg     |
| 1,198,222 A | 9/1916  | Hemenway  |
| 1,235,159 A | 7/1917  | Recker    |
| 1,272,696 A | 7/1918  | Mock      |
| 1,292,956 A | 1/1919  | Mcconnal  |
| 1,675,281 A | 6/1928  | Strand    |
| 2,049,716 A | 8/1936  | Owen      |
| 2,384,478 A | 9/1945  | Lapeyre   |
| 2,454,813 A | 11/1948 | Larson    |



(56)

References Cited

U.S. PATENT DOCUMENTS

5,711,571 A \* 1/1998 Renahy ..... B60J 3/023  
248/306

D404,287 S 1/1999 Hepworth

D417,385 S \* 12/1999 Bries ..... D8/367

D428,058 S \* 7/2000 Wagner ..... D19/65

D435,431 S \* 12/2000 Fiegl ..... D8/354

D436,452 S \* 1/2001 Gastelum ..... D6/323

6,478,273 B1 11/2002 McKeirnan, Jr.

D466,398 S \* 12/2002 DeLine ..... D8/373

D466,937 S \* 12/2002 Kochlefl ..... D19/65

D480,292 S 10/2003 Johansson

6,629,680 B2 10/2003 Weck

6,651,945 B2 11/2003 Rivellino

D486,057 S 2/2004 Chen

6,830,228 B2 12/2004 Ernst

D515,911 S 2/2006 McDuff

D531,223 S \* 10/2006 Lynch ..... D19/65

D554,481 S 11/2007 Newbould

D554,483 S 11/2007 Hager

7,431,258 B2 10/2008 Lamotta

D582,481 S \* 12/2008 Vaughn ..... D19/65

D596,930 S \* 7/2009 Gaudron ..... D8/367

D649,023 S 11/2011 McDuff

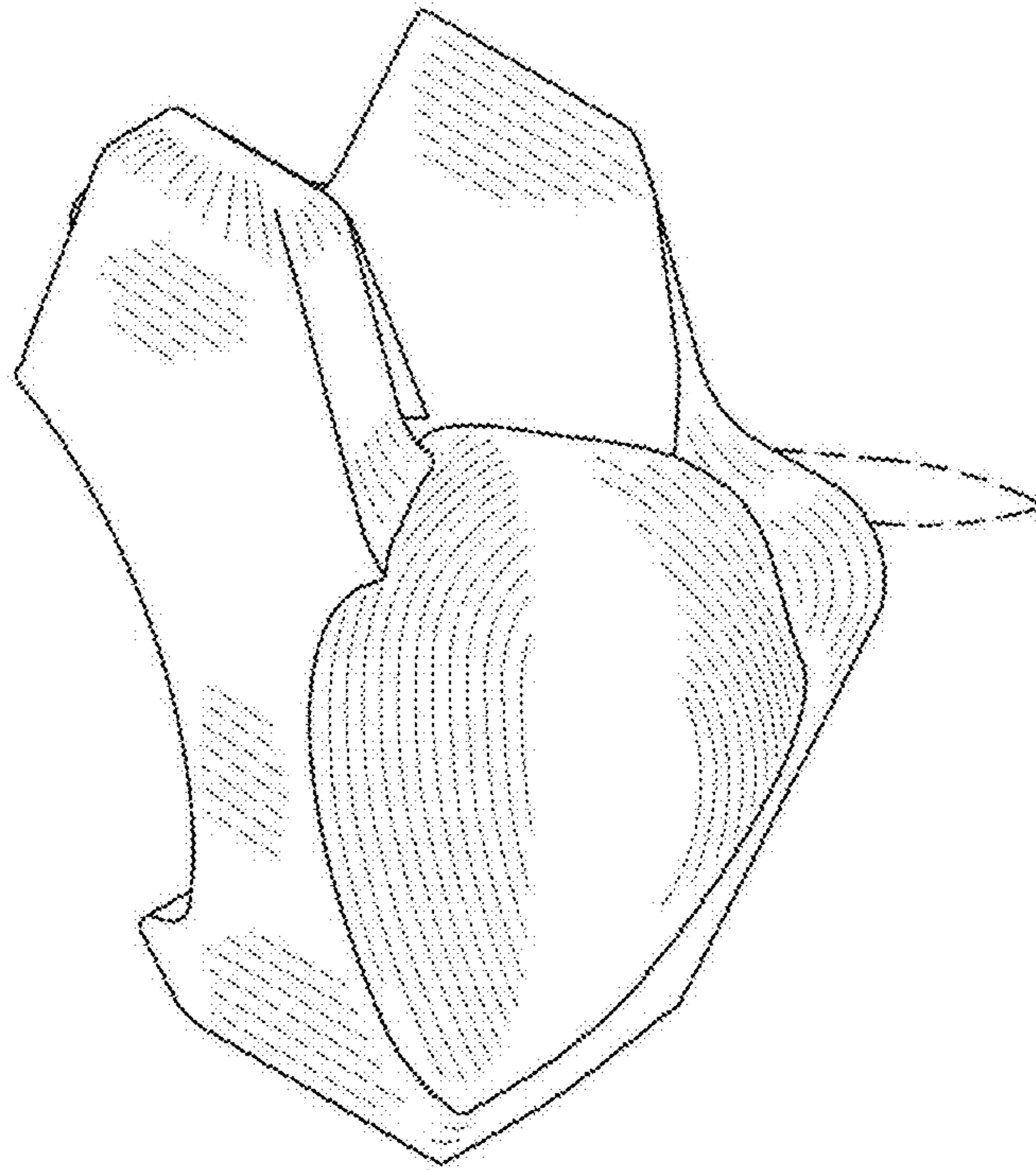
8,414,239 B2 4/2013 McDuff

9,138,083 B1 \* 9/2015 Hickey ..... A47G 1/20

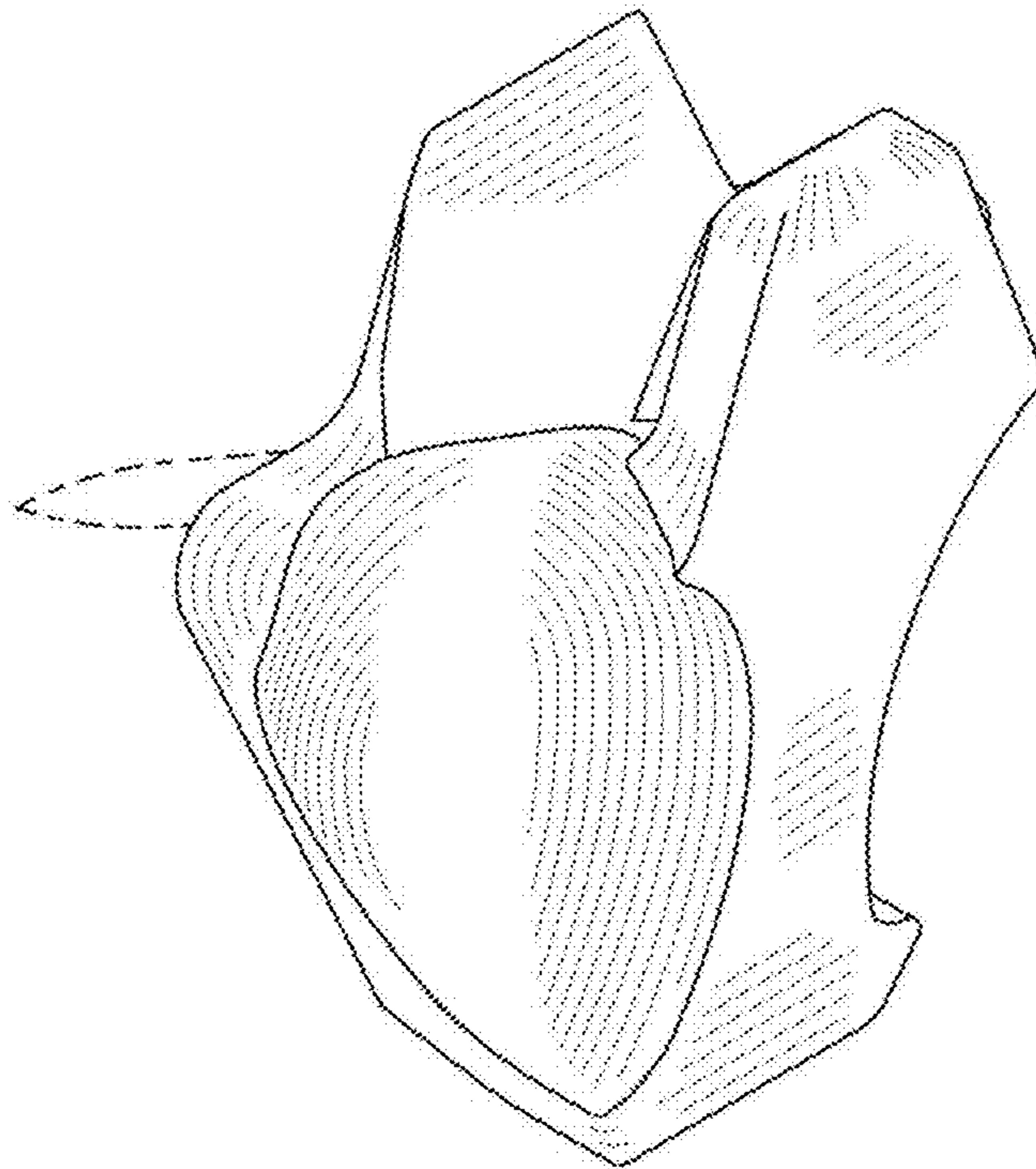
2002/0098060 A1 \* 7/2002 Kochlefl ..... B43M 15/00  
411/429

2014/0346310 A1 \* 11/2014 Yang ..... A47G 1/1633  
248/547

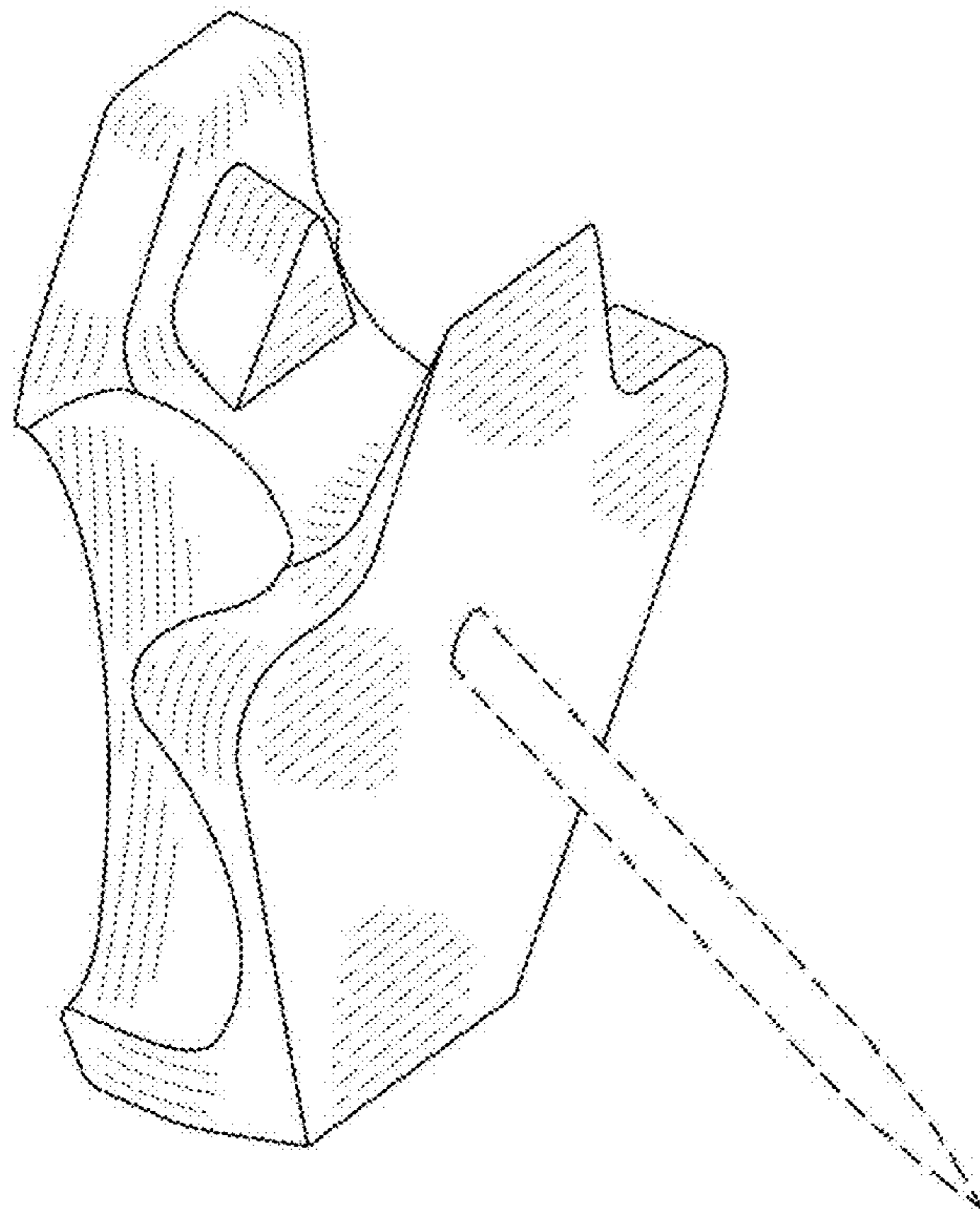
\* cited by examiner



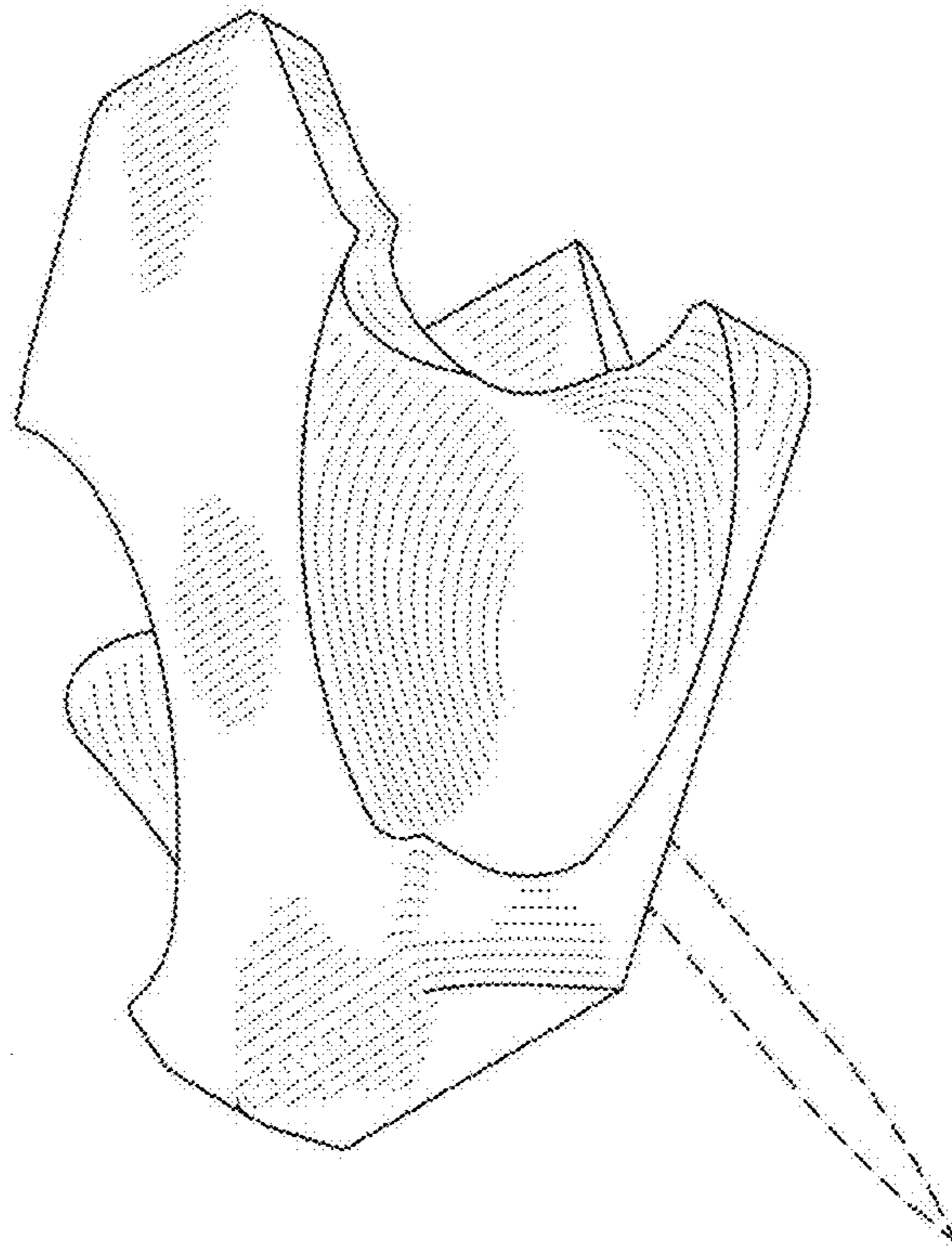
*Fig. 1*



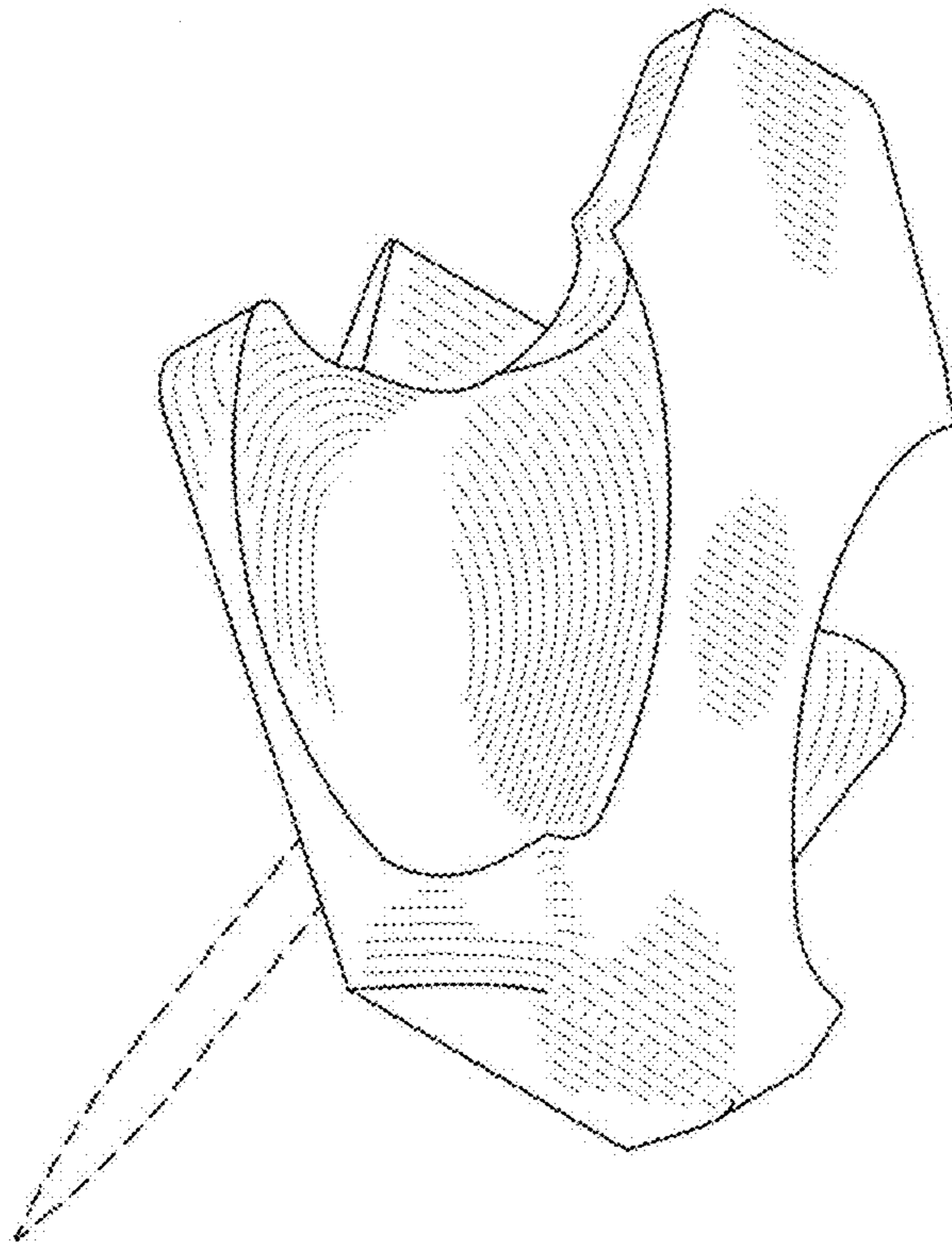
*Fig. 2*



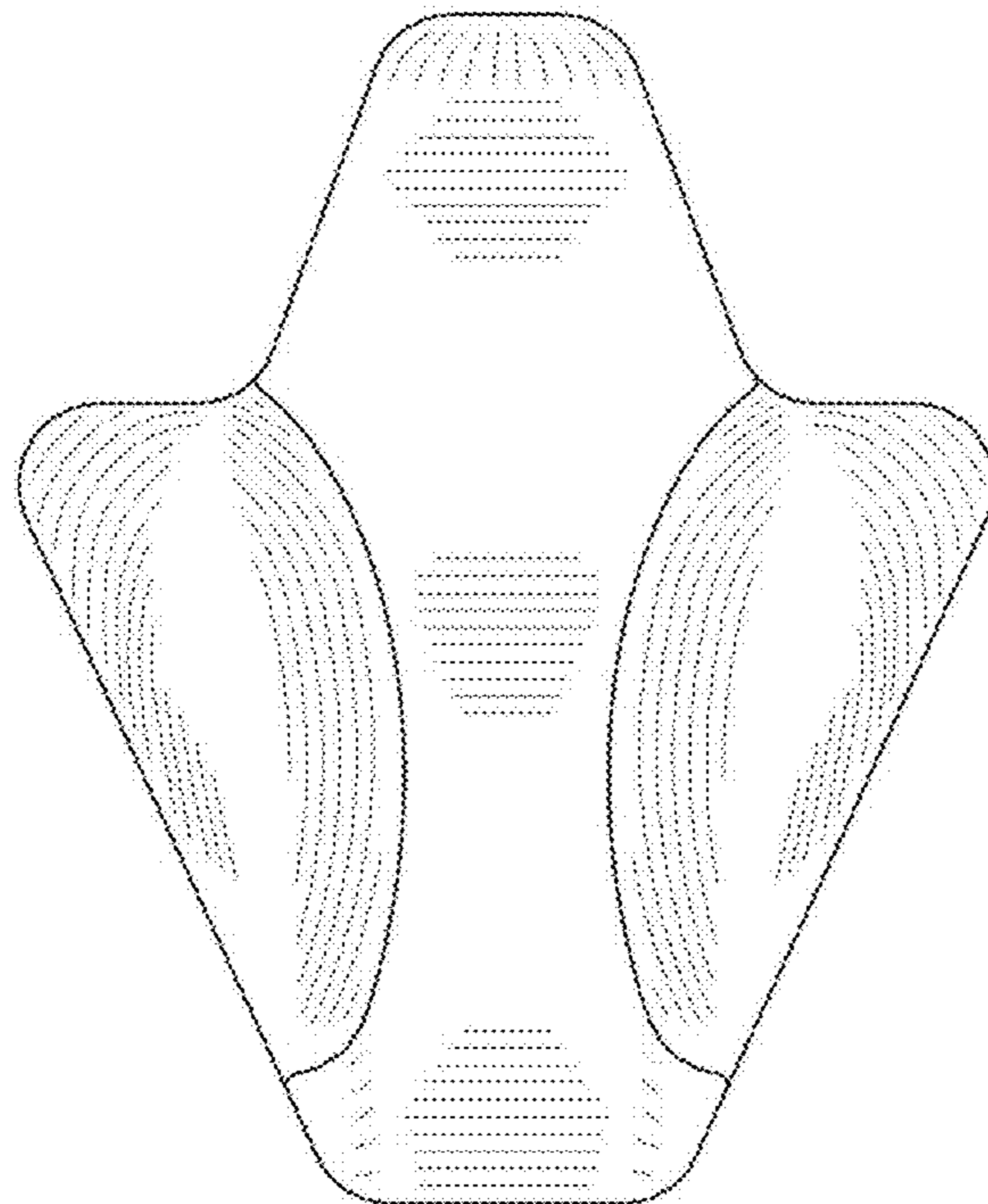
*Fig. 3*



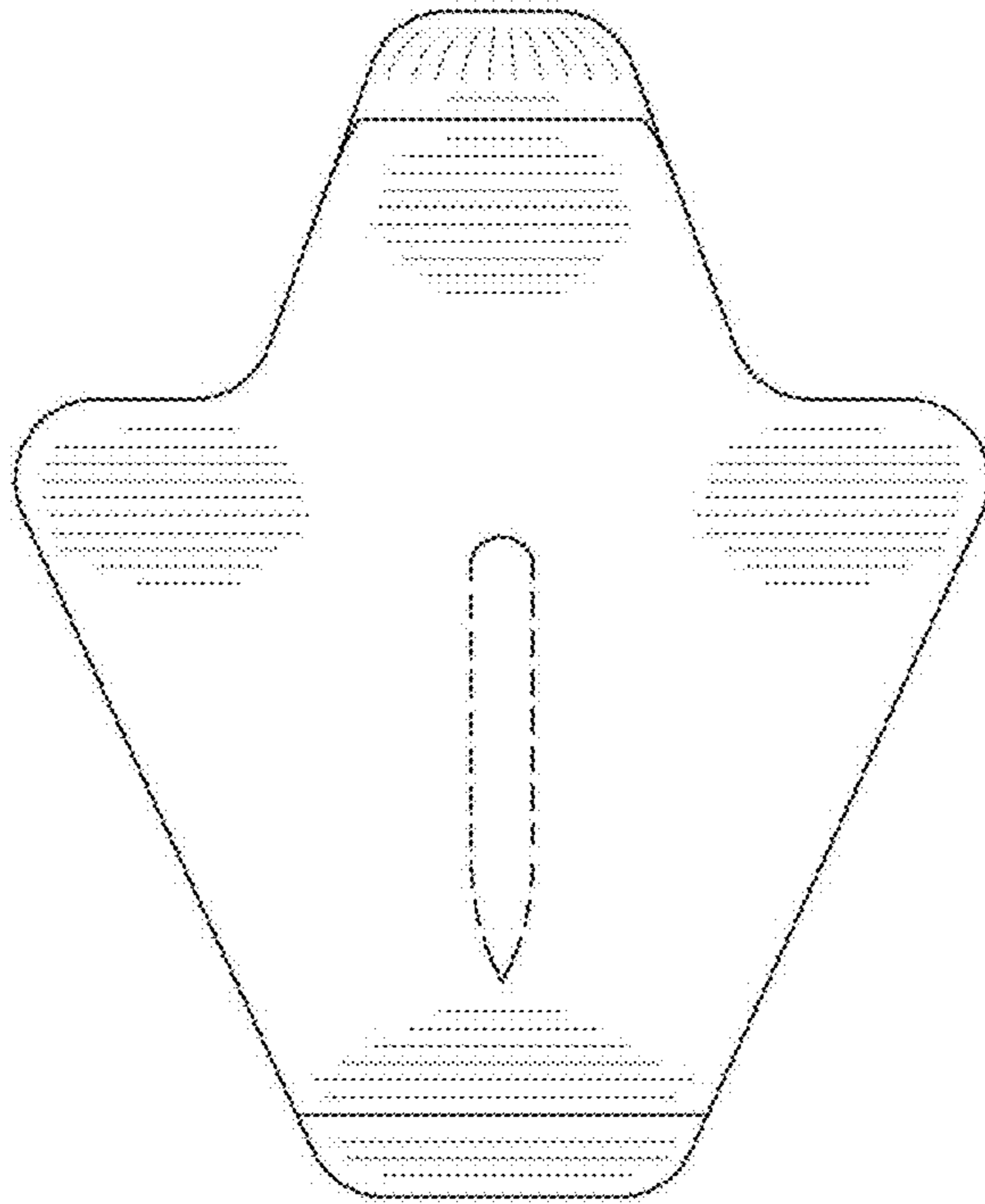
*Fig. 4*



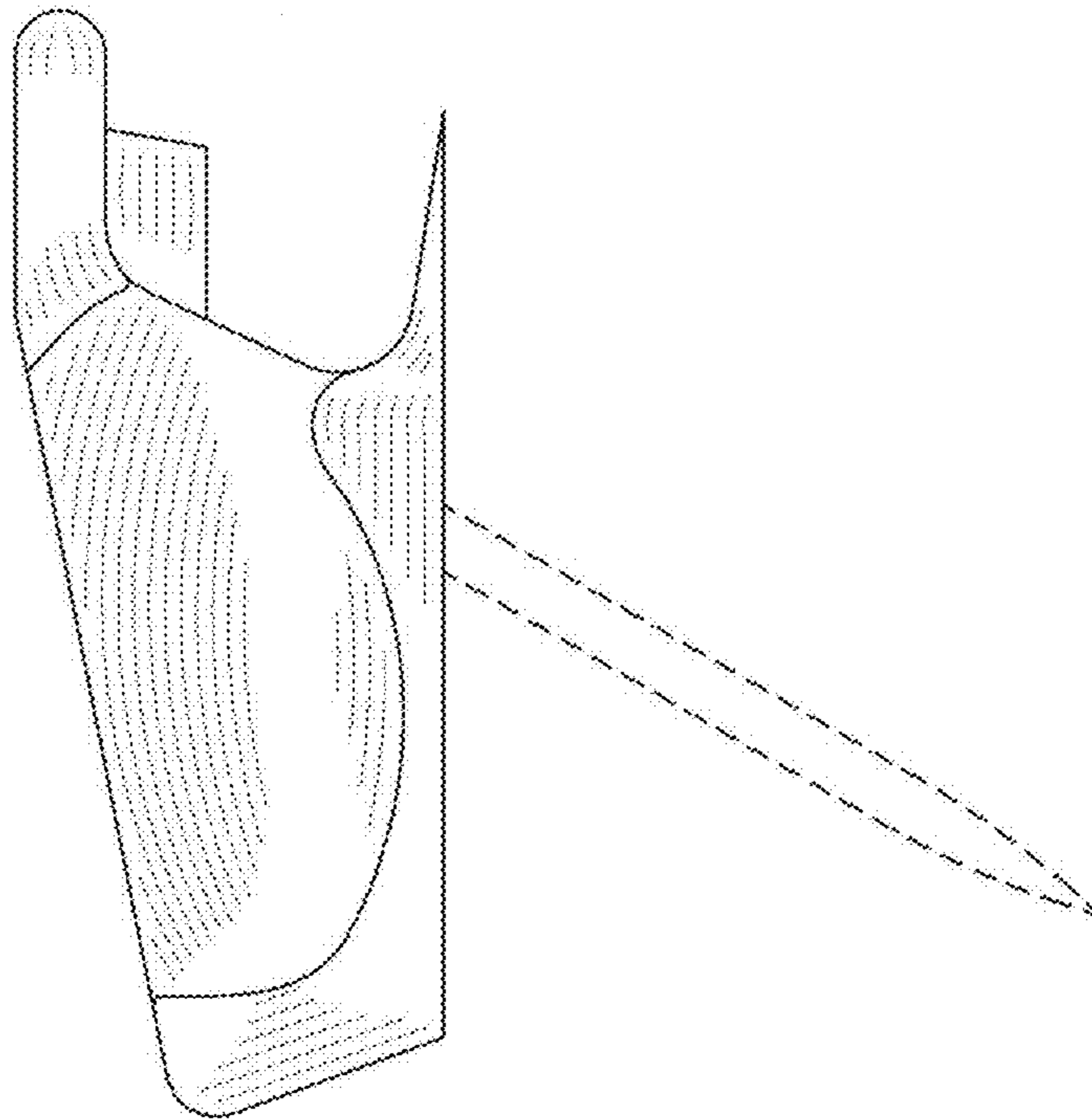
***Fig. 5***



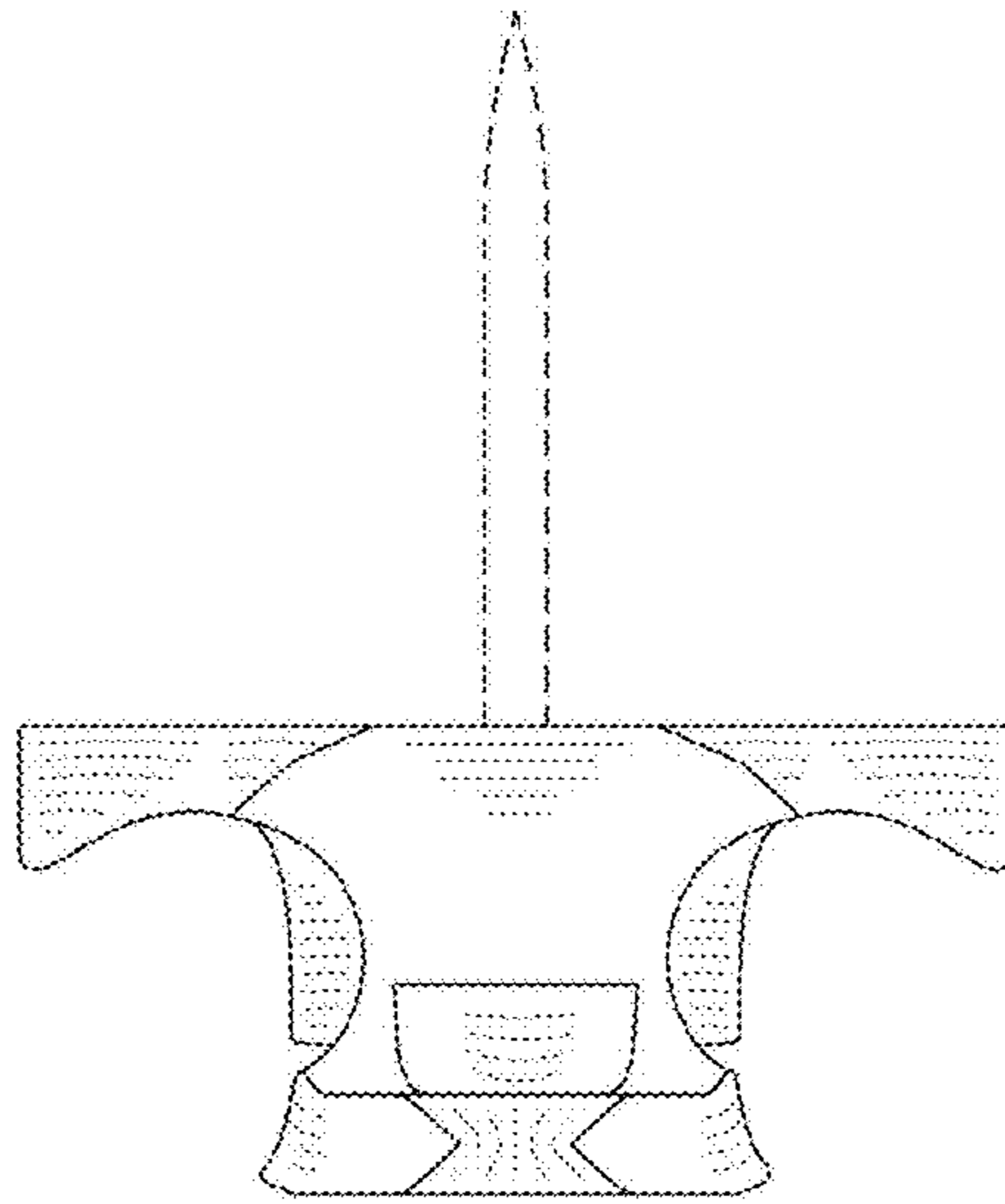
***Fig. 6***



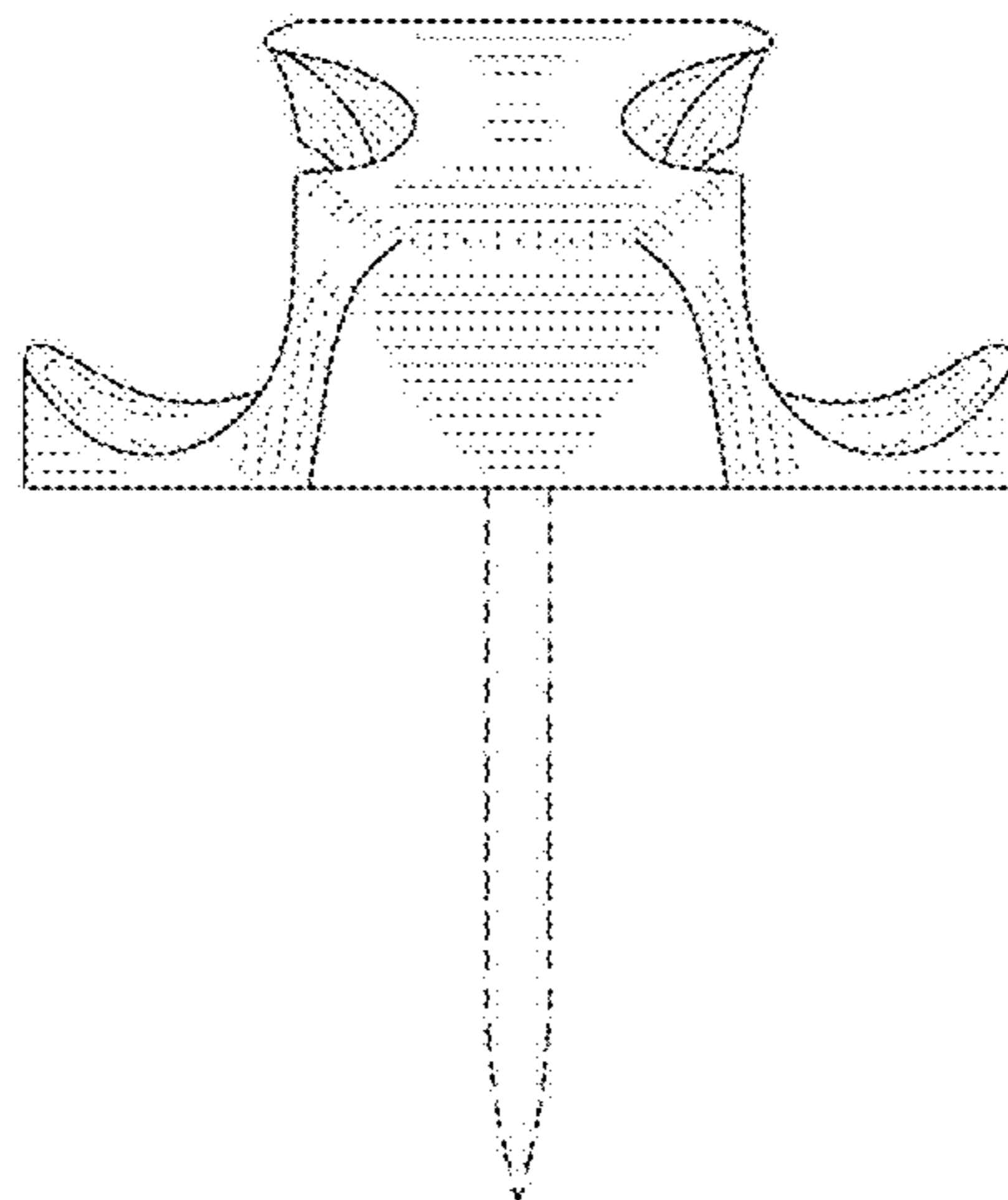
*Fig. 7*



*Fig. 8*



*Fig. 9*



*Fig. 10*