



US00D804940S

(12) **United States Design Patent** (10) **Patent No.:** **US D804,940 S**
Spampatti et al. (45) **Date of Patent:** **** Dec. 12, 2017**

(54) **HELICAL SLEEVE OF AN ANCHOR**
 (71) Applicant: **Hilti Aktiengesellschaft**, Schaan (LI)
 (72) Inventors: **Matteo Spampatti**, Addison, TX (US);
Marc Schaeffer, Altendorf (CH)
 (73) Assignee: **Hilti Aktiengesellschaft**, Schaan (LI)
 (**) Term: **15 Years**
 (21) Appl. No.: **29/572,015**
 (22) Filed: **Jul. 25, 2016**
 (51) **LOC (10) Cl.** **08-08**
 (52) **U.S. Cl.**
 USPC **D8/385**
 (58) **Field of Classification Search**
 USPC D8/382, 349, 356, 363, 373, 380;
 D25/133, 136, 199
 CPC .. F16B 13/0858; F16B 13/065; F16B 13/066;
 F16B 13/02; F16B 13/06; F16B 13/063
 See application file for complete search history.

2003/0123948 A1* 7/2003 Fuchs F16B 1/0071
 411/60.1
 2010/0111639 A1* 5/2010 Gaudron F16B 13/065
 411/354
 2010/0143067 A1* 6/2010 Gaudron C21D 1/25
 411/354
 2012/0311947 A1* 12/2012 Van Wissen F16B 13/066
 52/250
 2014/0072384 A1* 3/2014 Wissling F16B 13/063
 411/44
 2014/0154025 A1* 6/2014 Bergez F16B 13/063
 411/44
 2016/0097416 A1* 4/2016 Cabaj F16B 13/065
 411/71
 2017/0114818 A1* 4/2017 Cabaj F16B 13/065

* cited by examiner

Primary Examiner — Sandra Snapp
Assistant Examiner — Ieisha Price
 (74) *Attorney, Agent, or Firm* — Crowell & Moring LLP

(57) **CLAIM**

The ornamental design for a helical sleeve of an anchor, as shown and described.

(56) **References Cited**

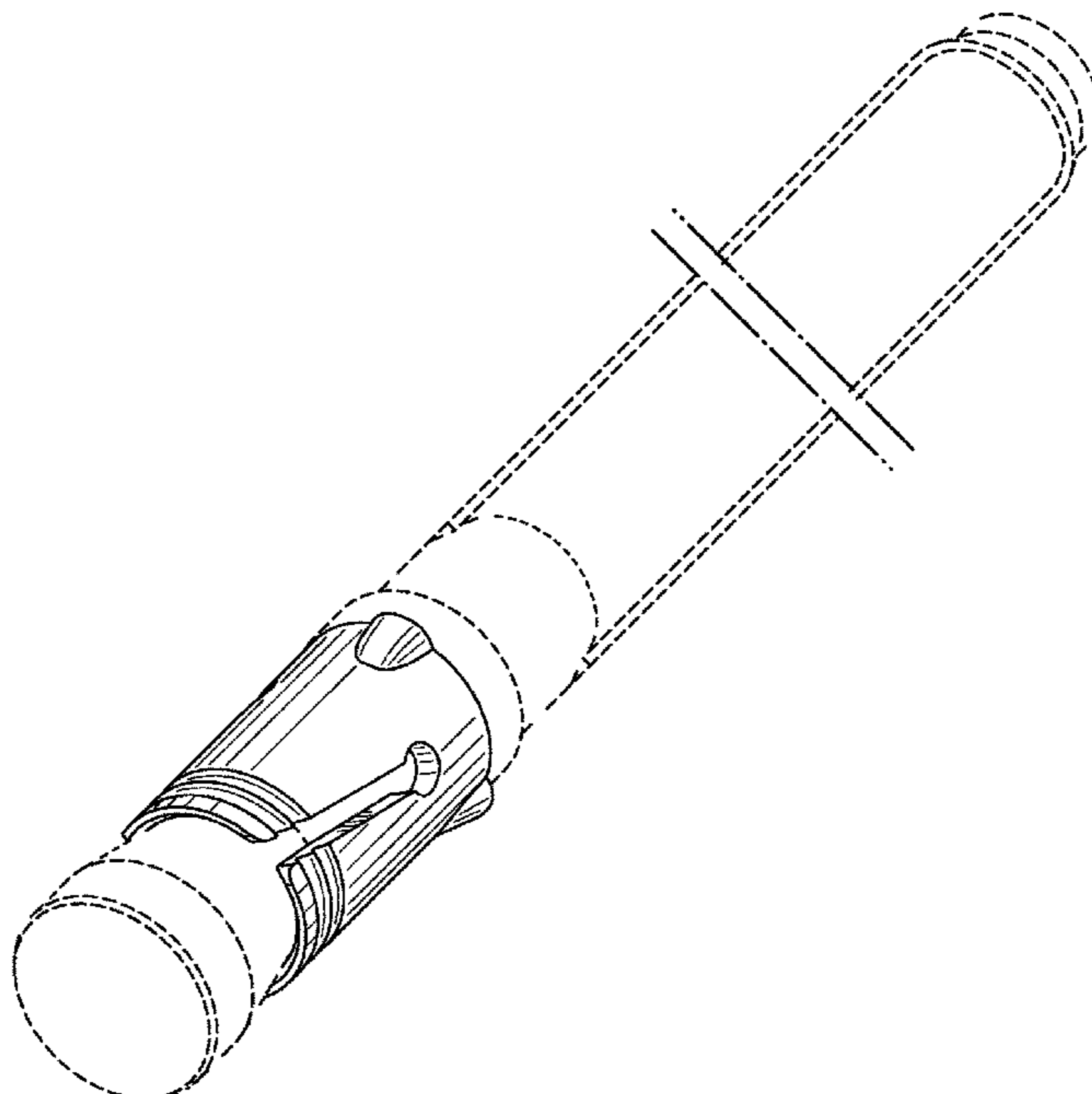
U.S. PATENT DOCUMENTS

4,100,834 A * 7/1978 Harris F16B 13/065
 148/648
 D314,814 S * 2/1991 Lubeck D23/262
 D548,579 S * 8/2007 Gaudron F16B 13/065
 D8/385
 D573,453 S * 7/2008 Buckley D8/382
 D605,499 S * 12/2009 Gaudron D8/349
 7,896,594 B2 * 3/2011 Nardi F16B 13/003
 411/29
 8,002,506 B2 * 8/2011 Pourtier B25B 31/00
 29/432

DESCRIPTION

FIG. 1 is a perspective view of a helical sleeve of an anchor according to the design;
 FIG. 2 is an additional perspective view thereof;
 FIG. 3 is a bottom view thereof;
 FIG. 4 is a side view thereof; and,
 FIG. 5 is an additional side view thereof.
 The dot-dash-dot broken lines and the dot-dot broken line showing of the anchor illustrates the environment of the claimed design and forms no part thereof.

1 Claim, 5 Drawing Sheets



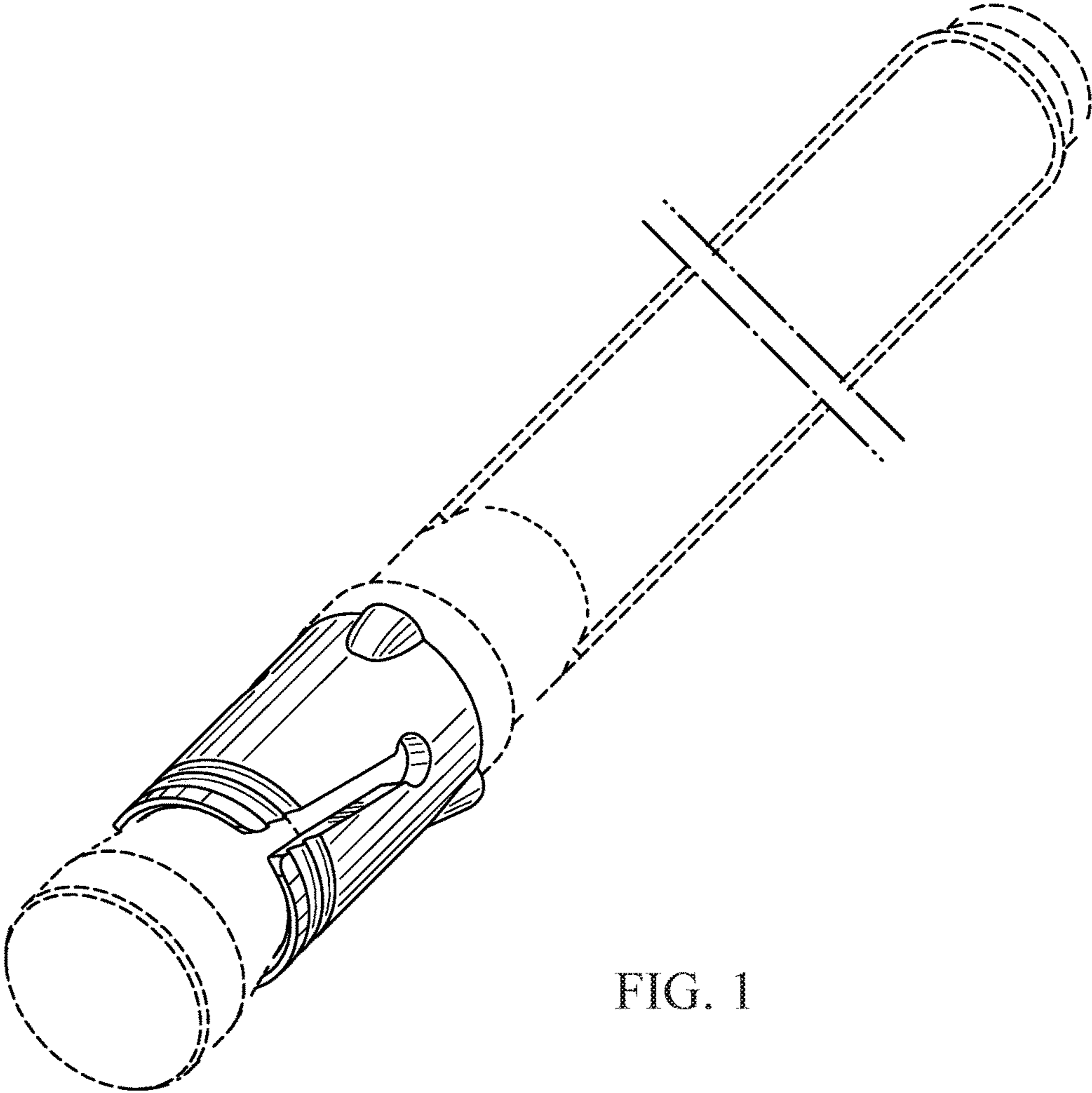


FIG. 1

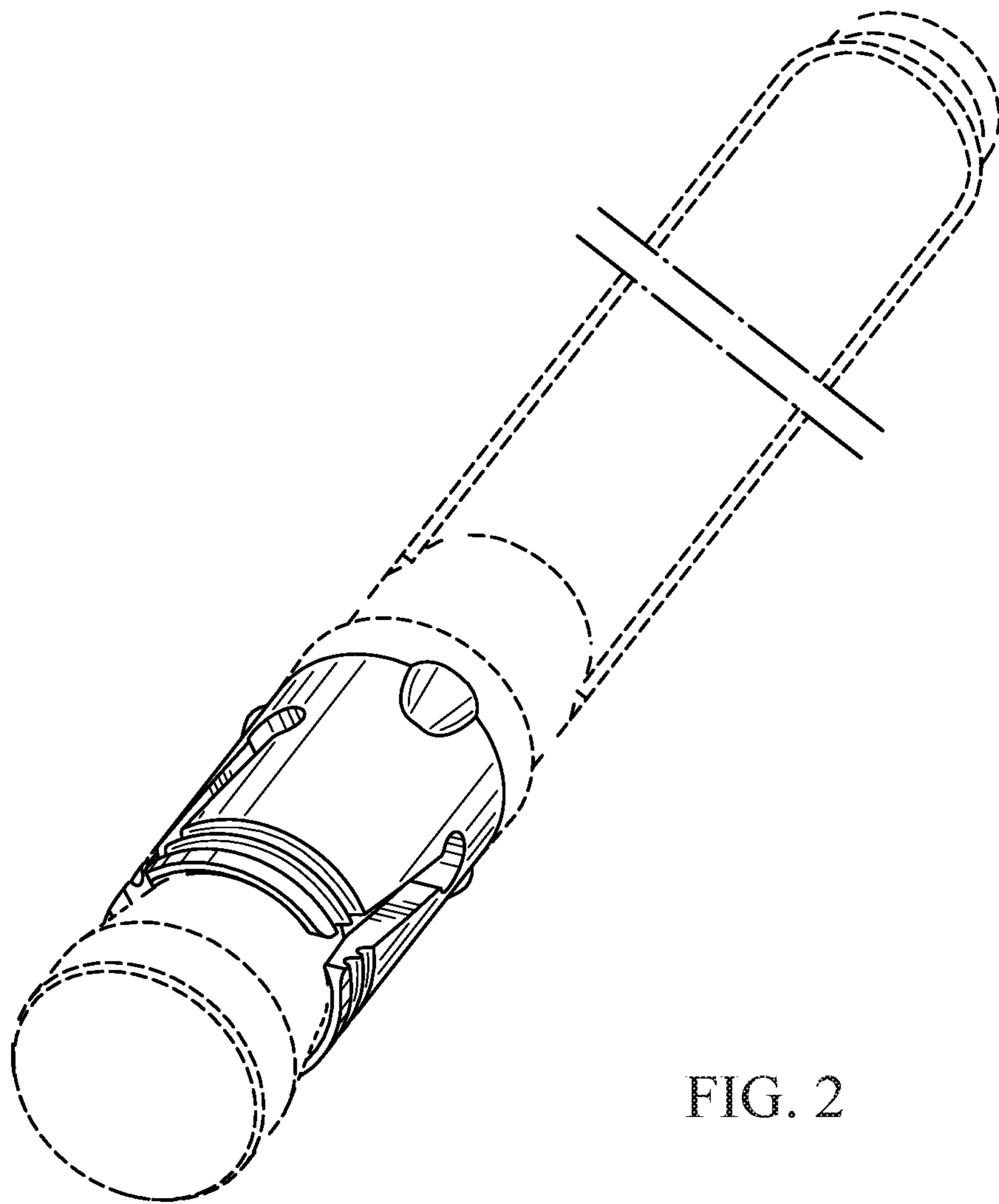


FIG. 2

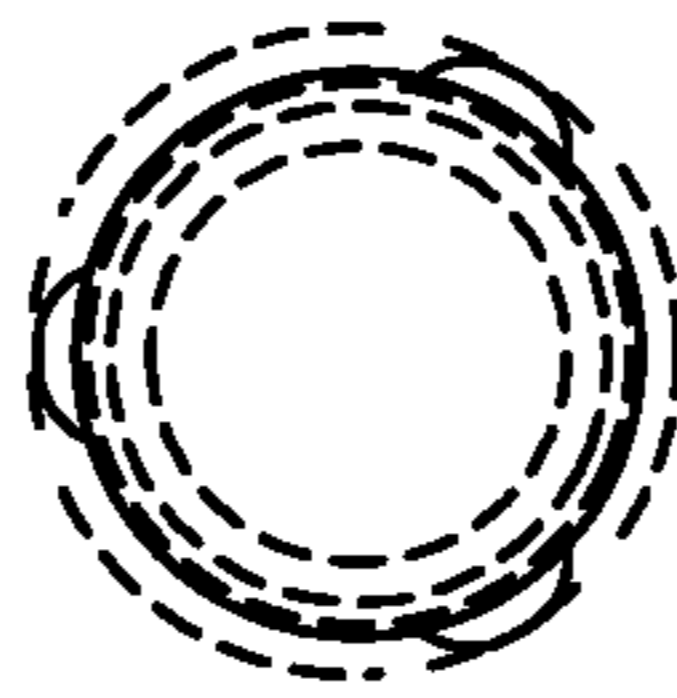


FIG. 3

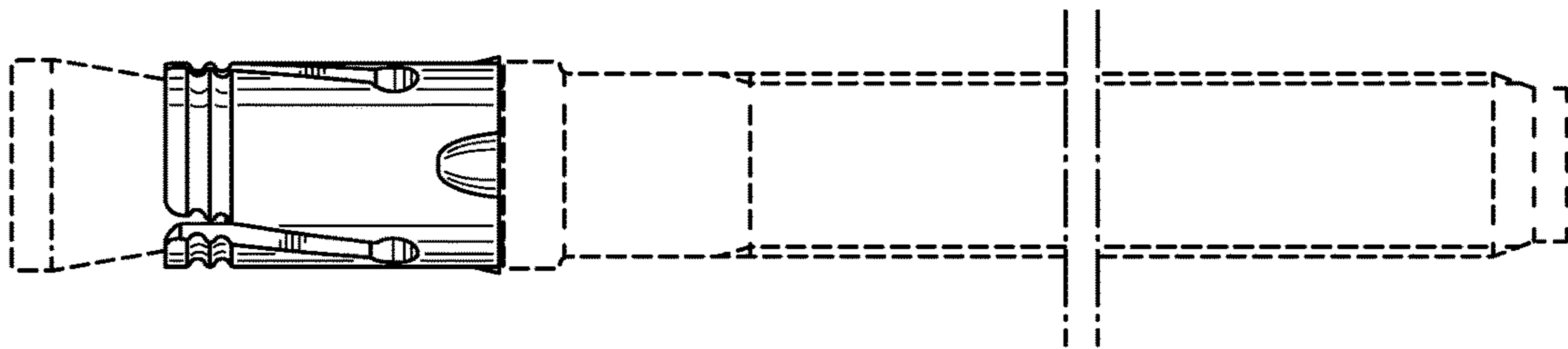


FIG. 4

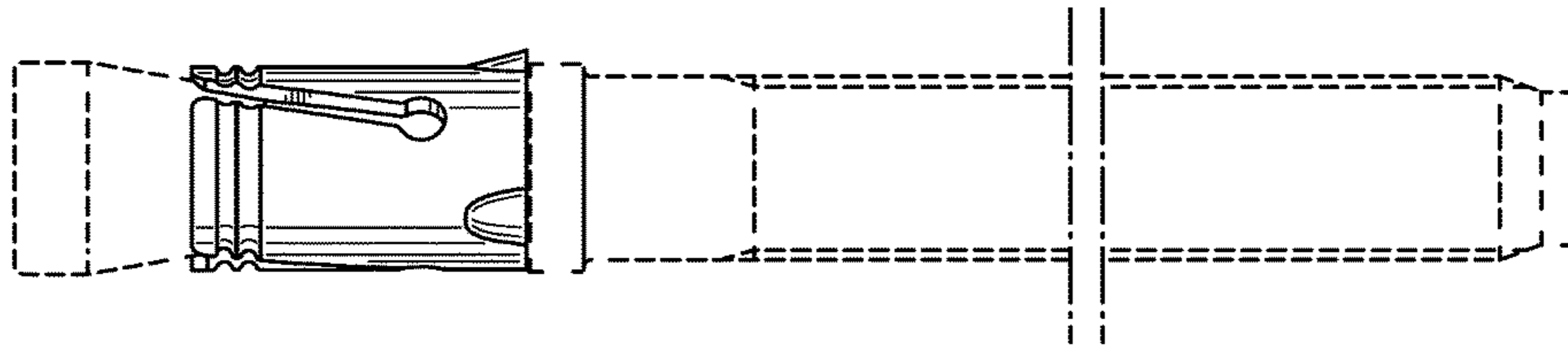


FIG. 5