



US00D804939S

(12) **United States Design Patent** (10) **Patent No.:** **US D804,939 S**  
**Starck** (45) **Date of Patent:** **\*\* Dec. 12, 2017**

(54) **FURNITURE CASTER** D465,725 S \* 11/2002 Holbrook ..... D8/375  
 D470,748 S \* 2/2003 Tsai ..... D8/375  
 (71) Applicant: **OGTM Officine Meccaniche S.r.l., S.** D553,962 S \* 10/2007 Rittfeldt ..... D8/375  
 Angelo Lodigiano (LO) (IT) D653,526 S \* 2/2012 Melara ..... D8/375  
 D668,944 S \* 10/2012 Tsai ..... D8/375  
 (72) Inventor: **Philippe Starck, Cascais (PT)** 8,302,256 B1 \* 11/2012 Spraley ..... B60B 33/005  
 16/30  
 (73) Assignee: **OGTM OFFICINE MECCANICHE** D725,459 S \* 3/2015 Schulz ..... D8/375  
**S.R.L., S. Angelo Lodigiano (LO) (IT)** D729,051 S \* 5/2015 Fan ..... D8/375  
 D731,878 S \* 6/2015 Lindsay ..... D8/375  
 D733,541 S \* 7/2015 Fan ..... D8/375  
 (\*\*) Term: **15 Years** D735,022 S \* 7/2015 Fan ..... D8/375  
 D736,608 S \* 8/2015 Fan ..... D8/375  
 (21) Appl. No.: **29/561,672** D766,073 S \* 9/2016 Hozumi ..... D8/375  
 D778,146 S \* 2/2017 Kausemann ..... D8/375

\* cited by examiner

(30) **Foreign Application Priority Data**

Oct. 21, 2015 (EM) ..... 002831495

(51) **LOC (10) Cl.** ..... **08-05**

(52) **U.S. Cl.**  
USPC ..... **D8/375**

(58) **Field of Classification Search**  
USPC .... D8/16, 19, 372, 383, 363, 366, 356, 300,  
D8/313, 314, 394, 370, 375, 377;  
D6/406.2; D12/19; 16/35 R; D24/183  
CPC .. A61G 7/1046; A63C 17/033; B60B 33/049;  
B60B 33/042; B60B 33/068; Y10T 16/18  
See application file for complete search history.

(56) **References Cited**

**U.S. PATENT DOCUMENTS**

D447,682 S \* 9/2001 Grabowski ..... D8/375  
 D456,697 S \* 5/2002 Holbrook ..... D8/375  
 D457,809 S \* 5/2002 Holbrook ..... D8/375  
 D461,398 S \* 8/2002 Holbrook ..... D8/375

*Primary Examiner* — Derrick Holland  
*Assistant Examiner* — Yolanda Robinson  
 (74) *Attorney, Agent, or Firm* — Jacobson Holman,  
 PLLC.

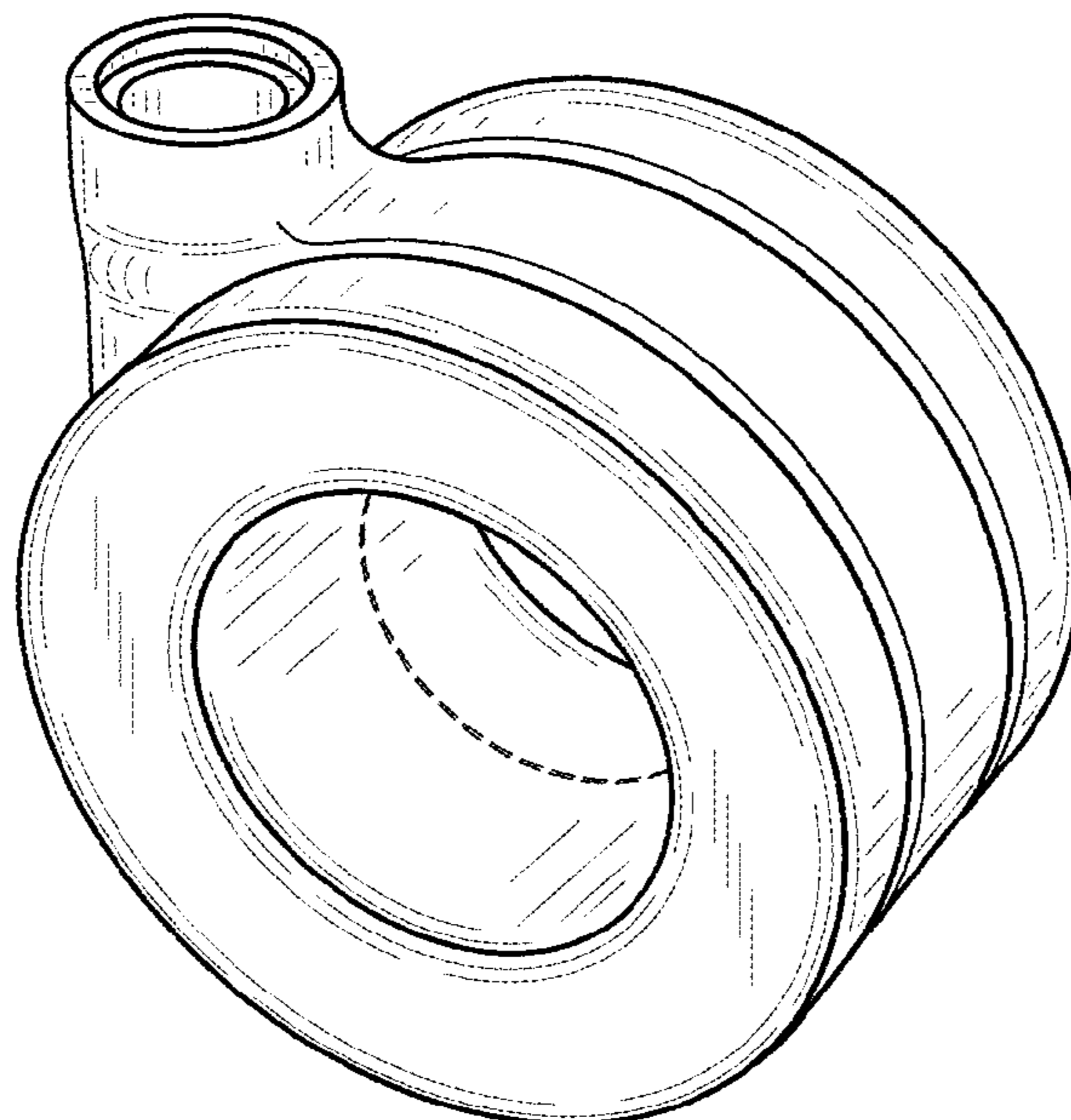
(57) **CLAIM**

I claim, the ornamental design for a furniture caster, as shown and described.

**DESCRIPTION**

FIG. 1 is a perspective view of a furniture caster;  
 FIG. 2 is a front view thereof;  
 FIG. 3 is a rear view thereof;  
 FIG. 4 is a right side view thereof;  
 FIG. 5 is a left side view thereof; and,  
 FIG. 6 is a top plan view thereof.  
 The broken lines shown represent unclaimed subject matter and form no part of the claimed design.

**1 Claim, 2 Drawing Sheets**



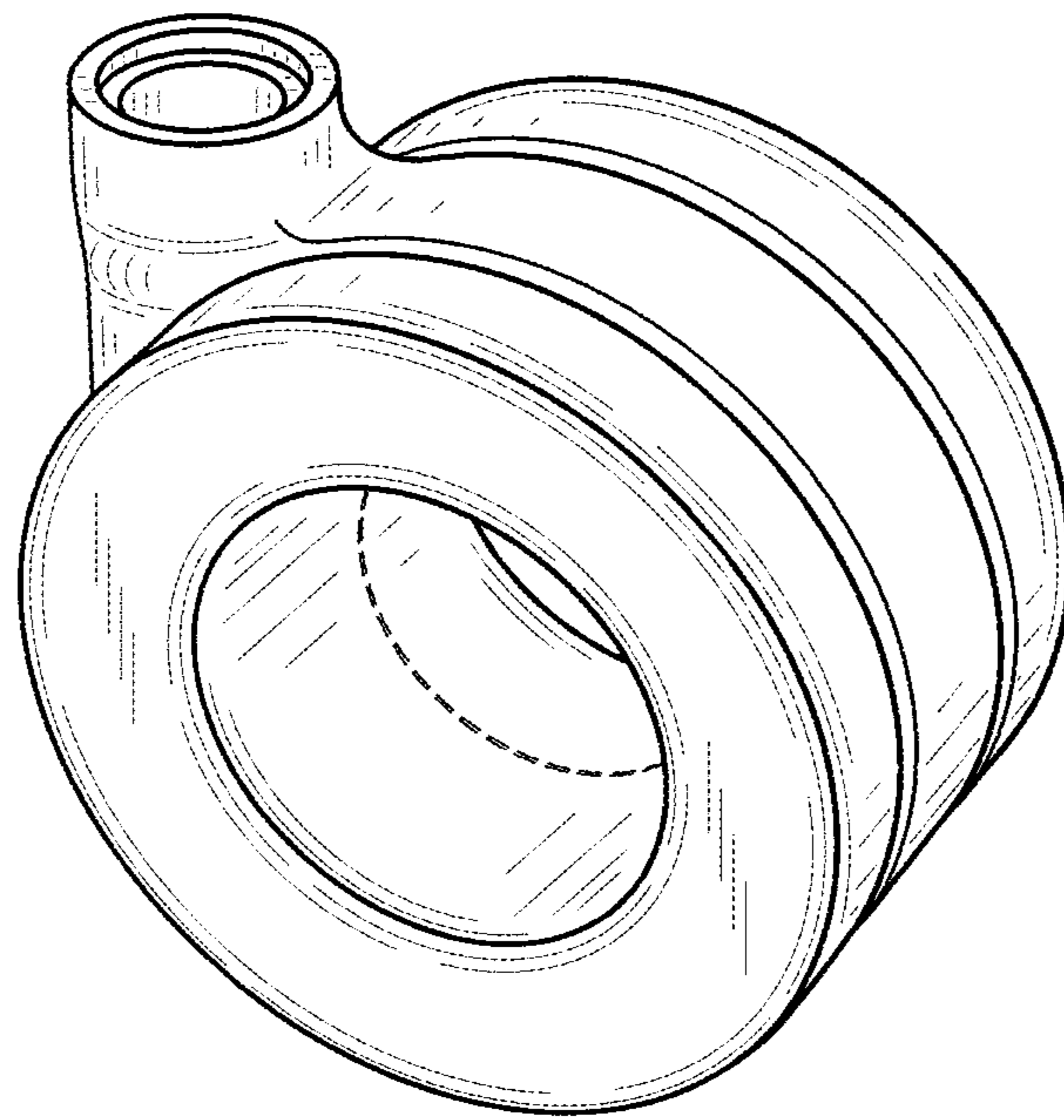


Fig. 1

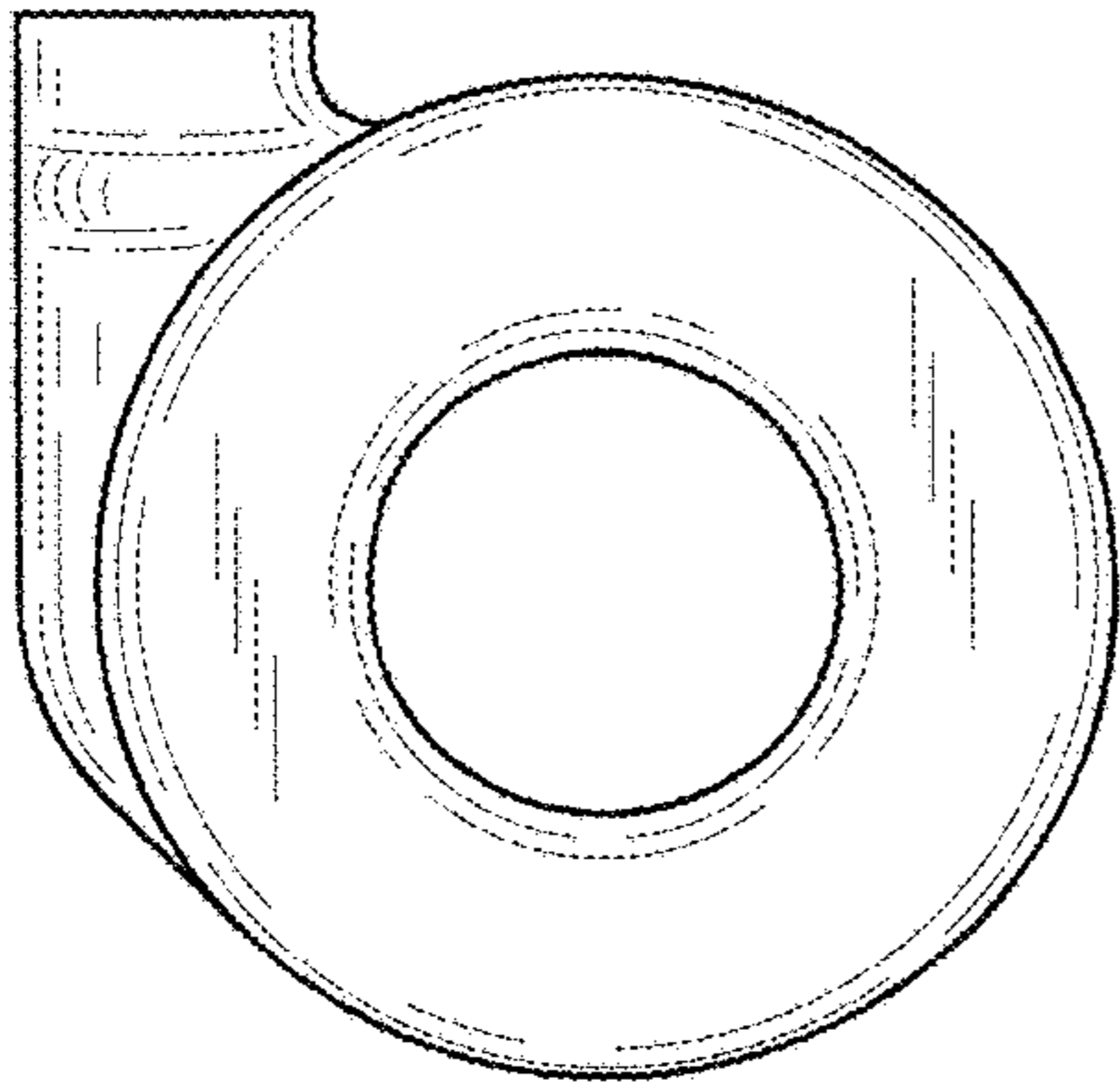


Fig. 2

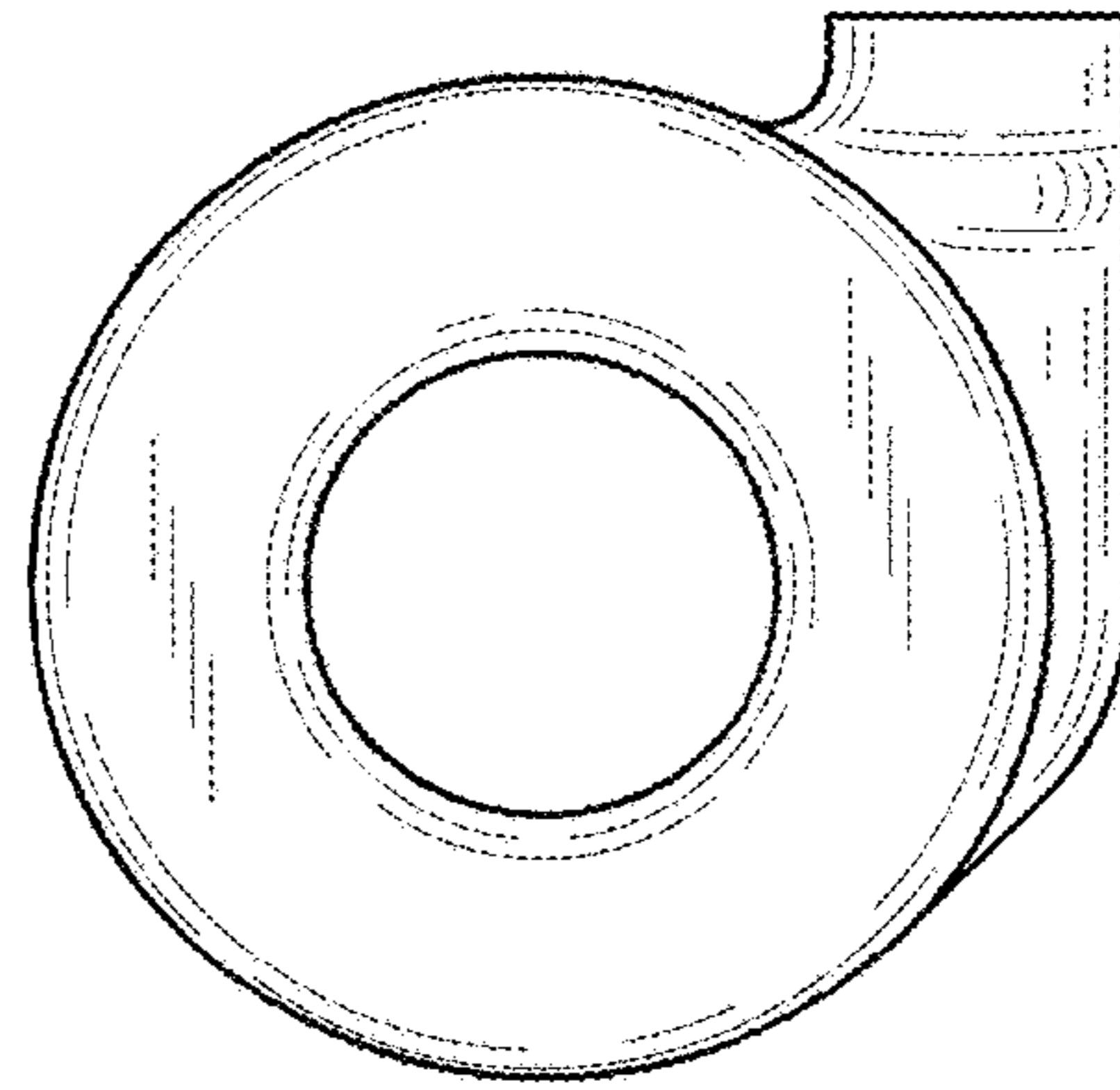


Fig. 3

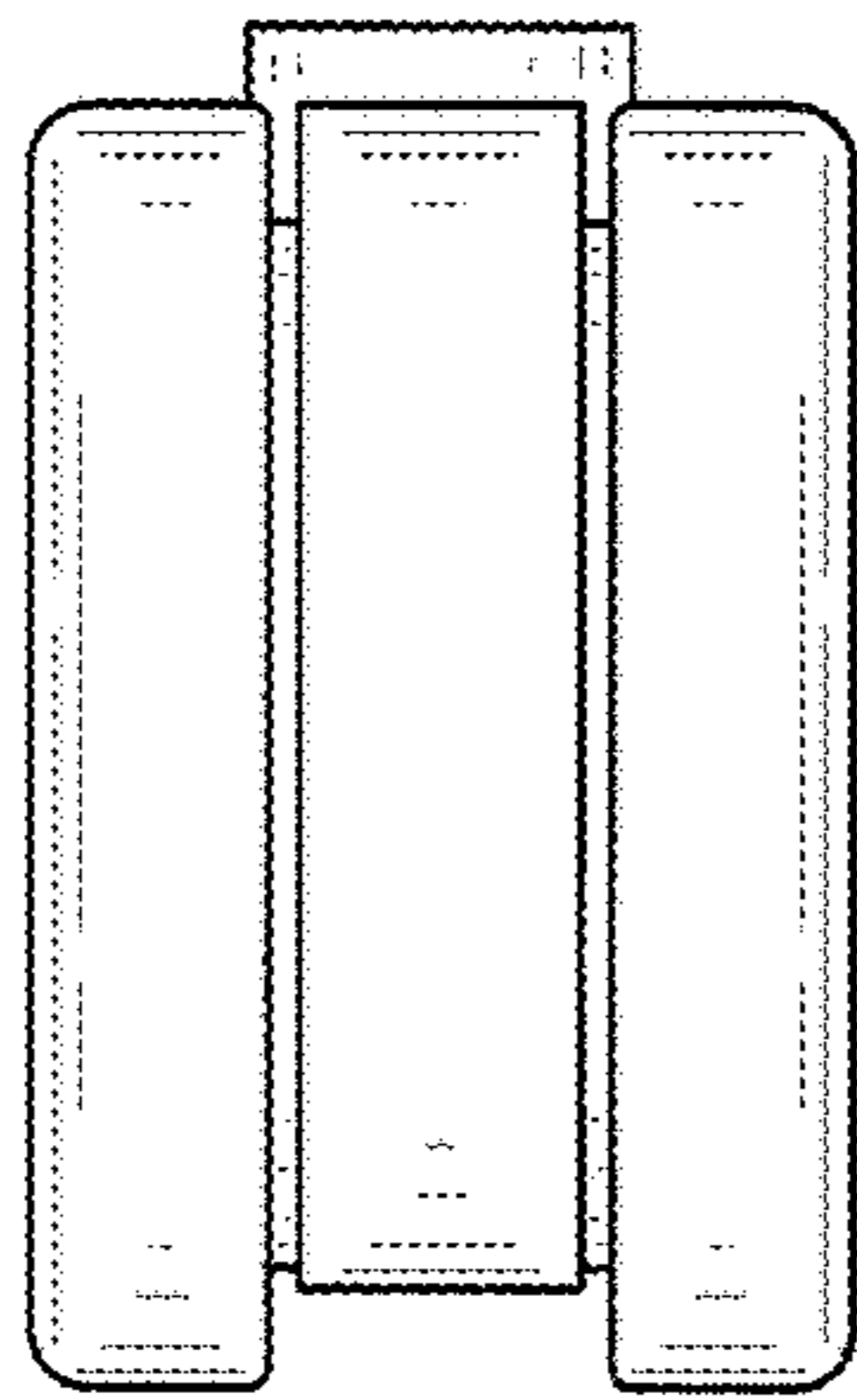


Fig. 4

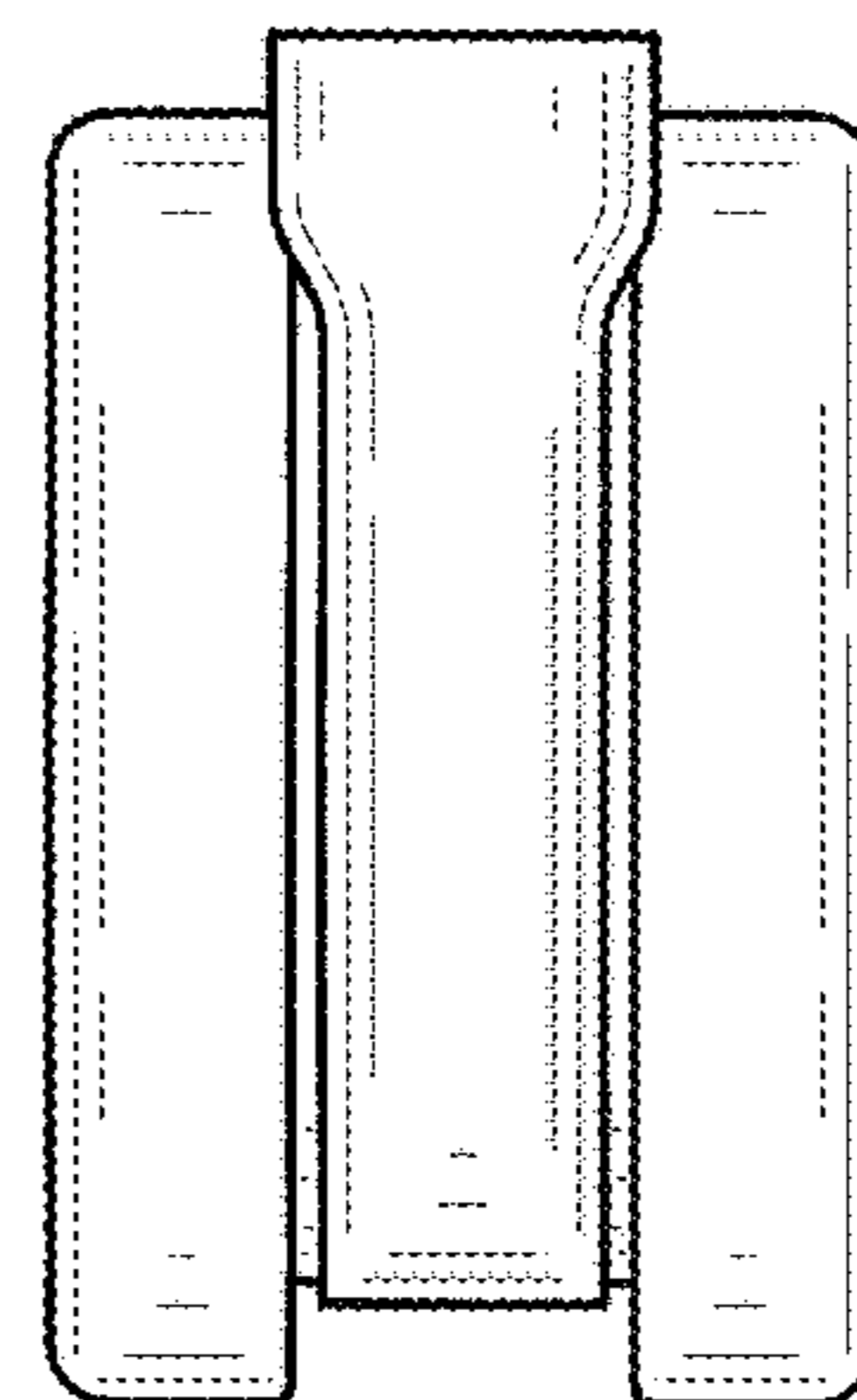


Fig. 5

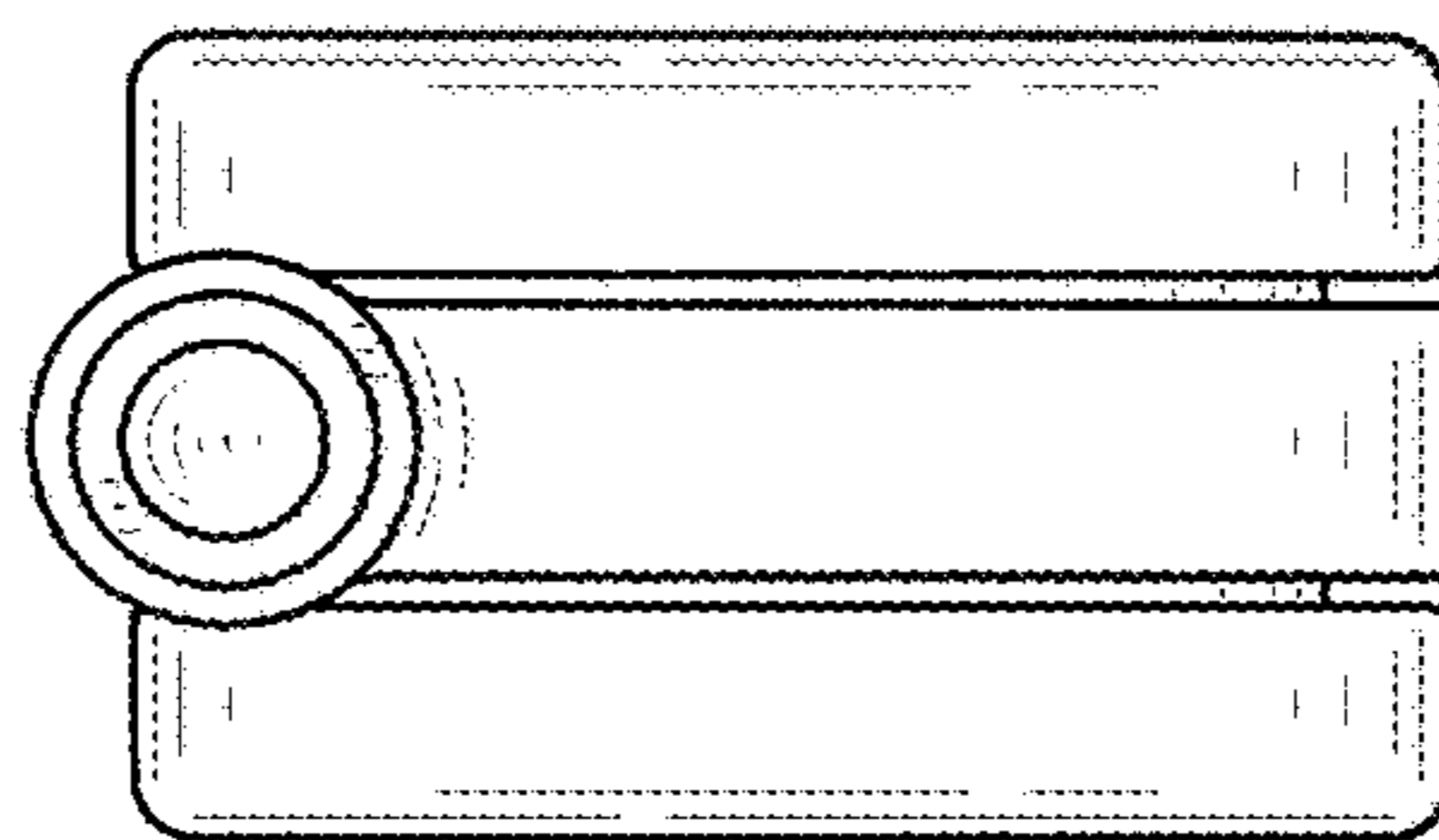


Fig. 6