

US00D804938S

(12) **United States Design Patent**  
**Wesley**

(10) **Patent No.:** **US D804,938 S**

(45) **Date of Patent:** **\*\* Dec. 12, 2017**

(54) **PEG BOARD HOOK**

(71) Applicant: **John M. Wesley**, Mustang, OK (US)

(72) Inventor: **John M. Wesley**, Mustang, OK (US)

(\*\*) Term: **15 Years**

(21) Appl. No.: **29/570,309**

(22) Filed: **Jul. 7, 2016**

(51) **LOC (10) Cl.** ..... **08-05**

(52) **U.S. Cl.**  
USPC ..... **D8/367**

(58) **Field of Classification Search**  
USPC ..... D8/367, 354, 349, 394  
CPC ..... F16L 3/13; F16L 3/26; A47G 23/0225;  
A47G 25/06; A47G 1/16; A47F 5/0846;  
A47F 5/02; H02G 11/003; D06F 55/00;  
E04H 17/10  
See application file for complete search history.

(56) **References Cited**

**U.S. PATENT DOCUMENTS**

D31,995 S *	12/1899	Alker	.....	D8/370
D34,560 S *	5/1901	De Long	.....	D19/65
D46,621 S *	11/1914	Schade, Jr.	.....	D8/356
1,333,692 A *	3/1920	Wester	.....	A47G 25/0607 24/598.7
1,528,111 A *	3/1925	Jensch	.....	A47H 13/04 16/87.2
1,712,752 A *	5/1929	Dandliker	.....	E04H 17/10 256/57
1,720,746 A *	7/1929	Povlsen	.....	H02G 3/26 24/131 R
2,636,704 A *	4/1953	Norberg	.....	D06F 39/12 24/131 R
2,957,671 A *	10/1960	Messier	.....	A47F 5/0823 248/220.43
3,145,963 A *	8/1964	Best	.....	A47F 5/0823 248/220.31

3,226,072 A *	12/1965	Johnson	.....	A47F 5/0823 248/220.43
3,310,271 A *	3/1967	King	.....	A47F 5/0815 248/220.43
4,029,281 A *	6/1977	Marshall	.....	A47F 5/0823 211/88.01
4,078,755 A *	3/1978	Erickson	.....	A47F 5/0823 248/220.31
D260,234 S *	8/1981	Johnson, Jr.	.....	D8/370
D280,596 S *	9/1985	Keeler	.....	D8/370
4,809,894 A *	3/1989	Viio	.....	A45F 5/02 224/248
4,979,712 A *	12/1990	Rios	.....	A47K 10/04 248/215
D357,402 S *	4/1995	Roethler	.....	D8/367
D358,083 S *	5/1995	Pate	.....	D8/367
D378,167 S *	2/1997	Jones, Jr.	.....	D3/315
D398,516 S *	9/1998	Brown	.....	D11/130

(Continued)

*Primary Examiner* — Cynthia Underwood  
(74) *Attorney, Agent, or Firm* — Dunlap Coddling, P.C.

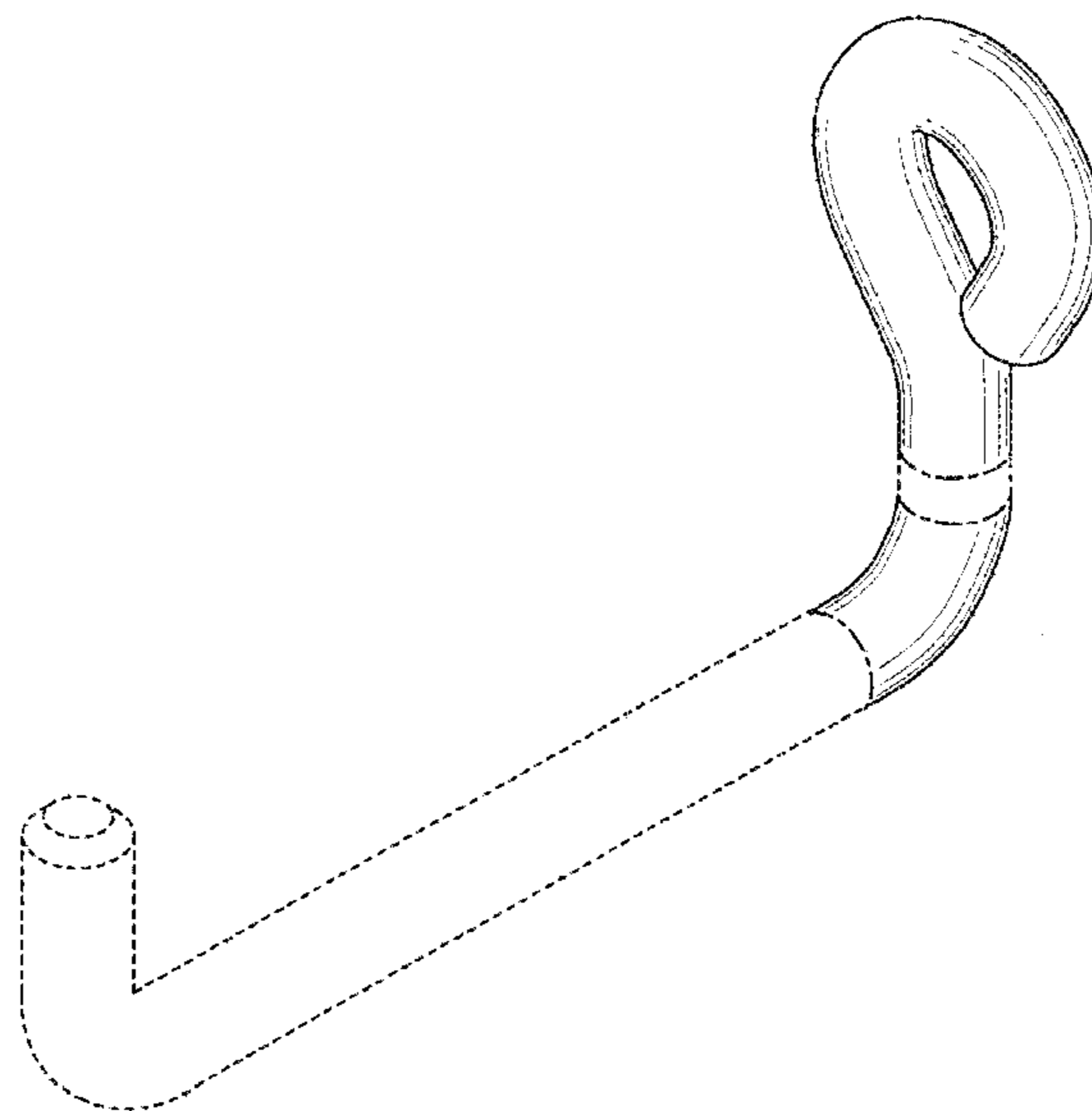
(57) **CLAIM**

The ornamental design for a peg board hook, as shown and described.

**DESCRIPTION**

FIG. 1 is a perspective view of a peg board hook showing my new design.  
FIG. 2 is a side elevational view thereof.  
FIG. 3 is a side elevational view of a side opposite that shown in FIG. 2.  
FIG. 4 is a top plan view thereof.  
FIG. 5 is a bottom plan view thereof.  
FIG. 6 is a front elevational view thereof; and,  
FIG. 7 is a rear elevational view thereof.  
The broken lines represent environment and form no part of the claim. The boundary lines represent boundaries of the claim and form no part of the claim.

**1 Claim, 6 Drawing Sheets**



(56)

References Cited

U.S. PATENT DOCUMENTS

5,996,955 A \* 12/1999 Chen ..... F16B 12/32  
 248/249  
 D499,956 S \* 12/2004 Wall ..... D8/370  
 7,025,309 B2 \* 4/2006 Goodwin ..... F16L 3/1233  
 248/62  
 D524,636 S \* 7/2006 Burnett ..... D8/367  
 D552,980 S \* 10/2007 Svedberg ..... D8/395  
 D559,079 S \* 1/2008 Berry ..... D8/343  
 D566,538 S \* 4/2008 Wrase ..... D8/395  
 D585,266 S \* 1/2009 Meyers ..... D8/370  
 D599,646 S \* 9/2009 Meyers ..... D8/370  
 D600,102 S \* 9/2009 Larkin ..... D8/367  
 7,698,786 B2 \* 4/2010 Chang ..... H04M 1/0202  
 16/386  
 D620,344 S \* 7/2010 Henry ..... D8/367  
 D645,731 S \* 9/2011 Williams ..... D8/370  
 D648,208 S \* 11/2011 Platt ..... D8/367  
 D651,066 S \* 12/2011 Johnson, III ..... D8/354  
 D661,574 S \* 6/2012 Platt ..... D8/367  
 D668,529 S \* 10/2012 Harris ..... D8/370  
 D672,227 S \* 12/2012 Hendricks ..... D8/394  
 D673,031 S \* 12/2012 Hendricks ..... D8/394  
 8,387,292 B1 \* 3/2013 Rasmus ..... G09F 17/00  
 116/173  
 D679,095 S \* 4/2013 Williams ..... D3/328  
 D687,291 S \* 8/2013 Hendricks ..... D8/394  
 D699,556 S \* 2/2014 Hendricks ..... D8/354

D700,830 S \* 3/2014 Brockman ..... D8/367  
 D702,540 S \* 4/2014 Kacines ..... D8/367  
 D706,124 S \* 6/2014 Banasik ..... D8/370  
 D706,617 S \* 6/2014 Hendricks ..... D8/354  
 D727,713 S \* 4/2015 Greene ..... D30/119  
 D734,134 S \* 7/2015 Bauerle ..... D8/372  
 D737,660 S \* 9/2015 Santeler ..... D8/349  
 D741,160 S \* 10/2015 Hendricks ..... D8/394  
 D742,727 S \* 11/2015 Martin ..... D8/367  
 D750,472 S \* 3/2016 Kuka ..... D8/367  
 D752,414 S \* 3/2016 Brooks ..... D8/349  
 D752,958 S \* 4/2016 Giordano ..... D8/367  
 D755,612 S \* 5/2016 Cooper ..... D8/367  
 D756,756 S \* 5/2016 Kuehn ..... D8/367  
 D762,107 S \* 7/2016 French ..... D8/367  
 D765,498 S \* 9/2016 Dankert ..... D8/367  
 D769,106 S \* 10/2016 Tousignant ..... D8/367  
 D782,599 S \* 3/2017 Brooks ..... D22/113  
 D782,600 S \* 3/2017 Brooks ..... D22/113  
 D783,387 S \* 4/2017 Wilson ..... D8/356  
 D784,119 S \* 4/2017 Brooks ..... D8/367  
 D787,303 S \* 5/2017 Garvin ..... D8/367  
 D788,876 S \* 6/2017 Brooks ..... D22/113  
 2002/0000504 A1 \* 1/2002 Bayne ..... F21V 21/088  
 248/302  
 2006/0016943 A1 \* 1/2006 Thompson ..... A47J 33/00  
 248/175  
 2008/0272269 A1 \* 11/2008 Moravsky ..... A45F 5/02  
 248/692

\* cited by examiner

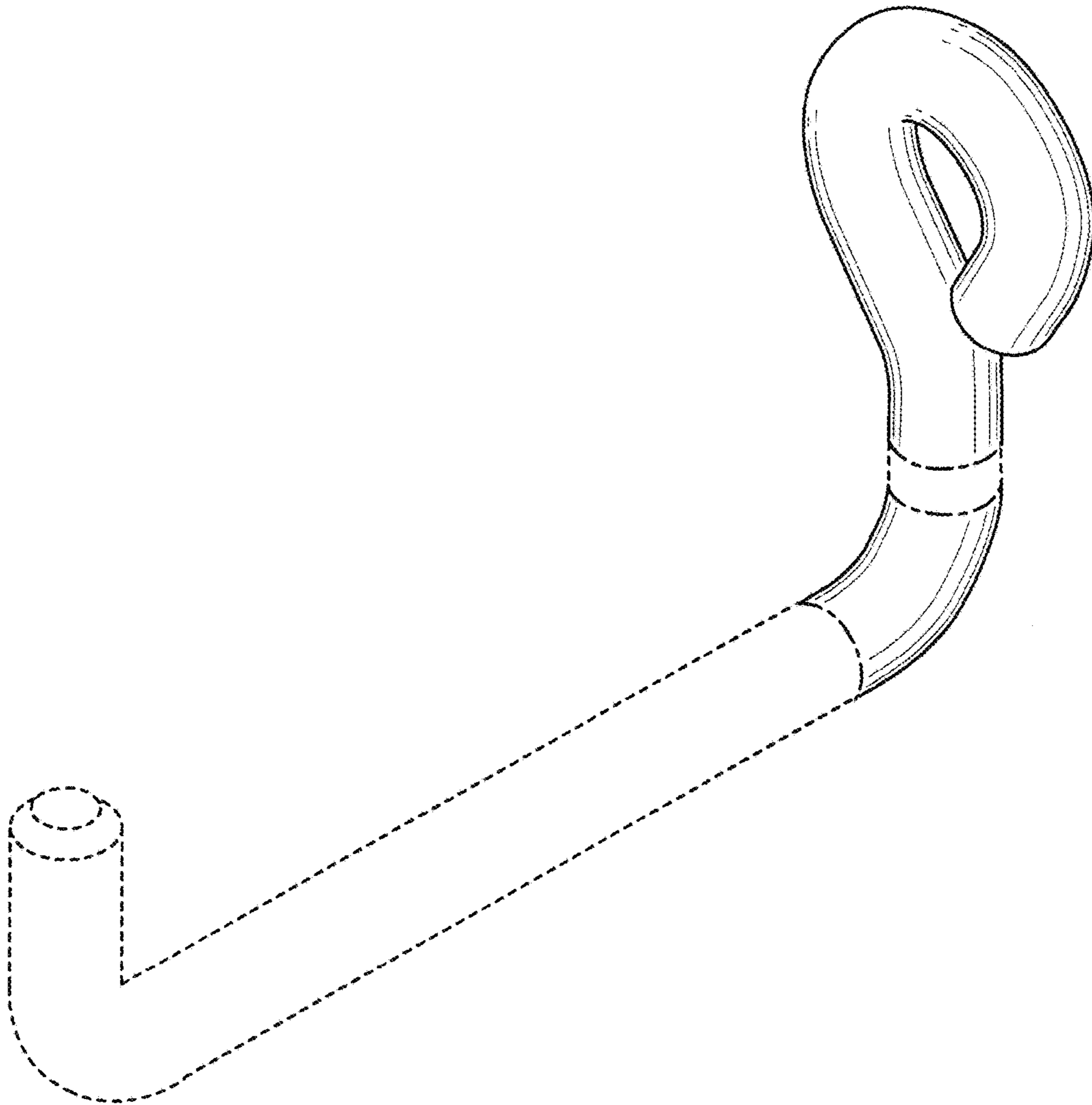


FIG. 1

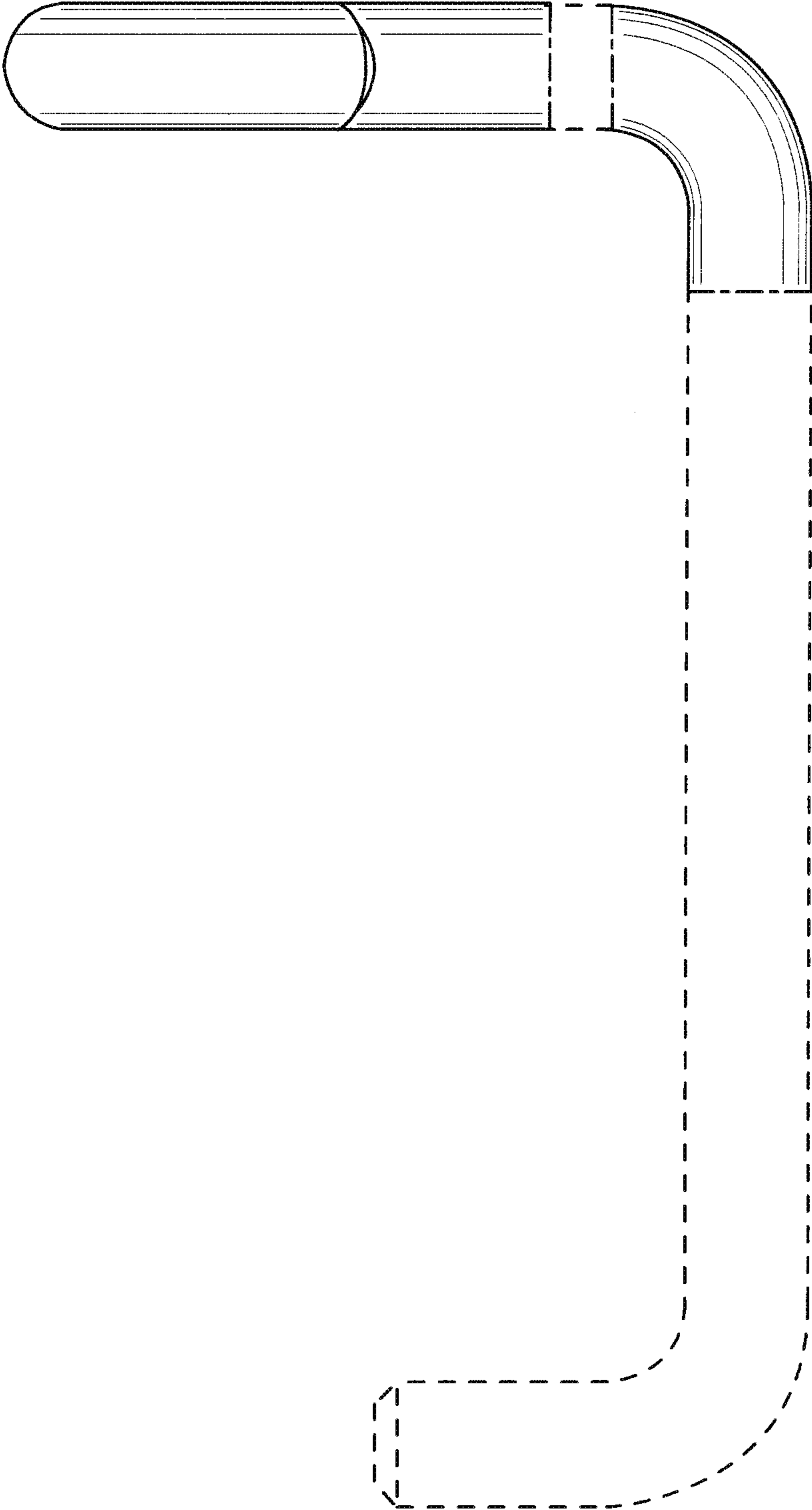


FIG. 2

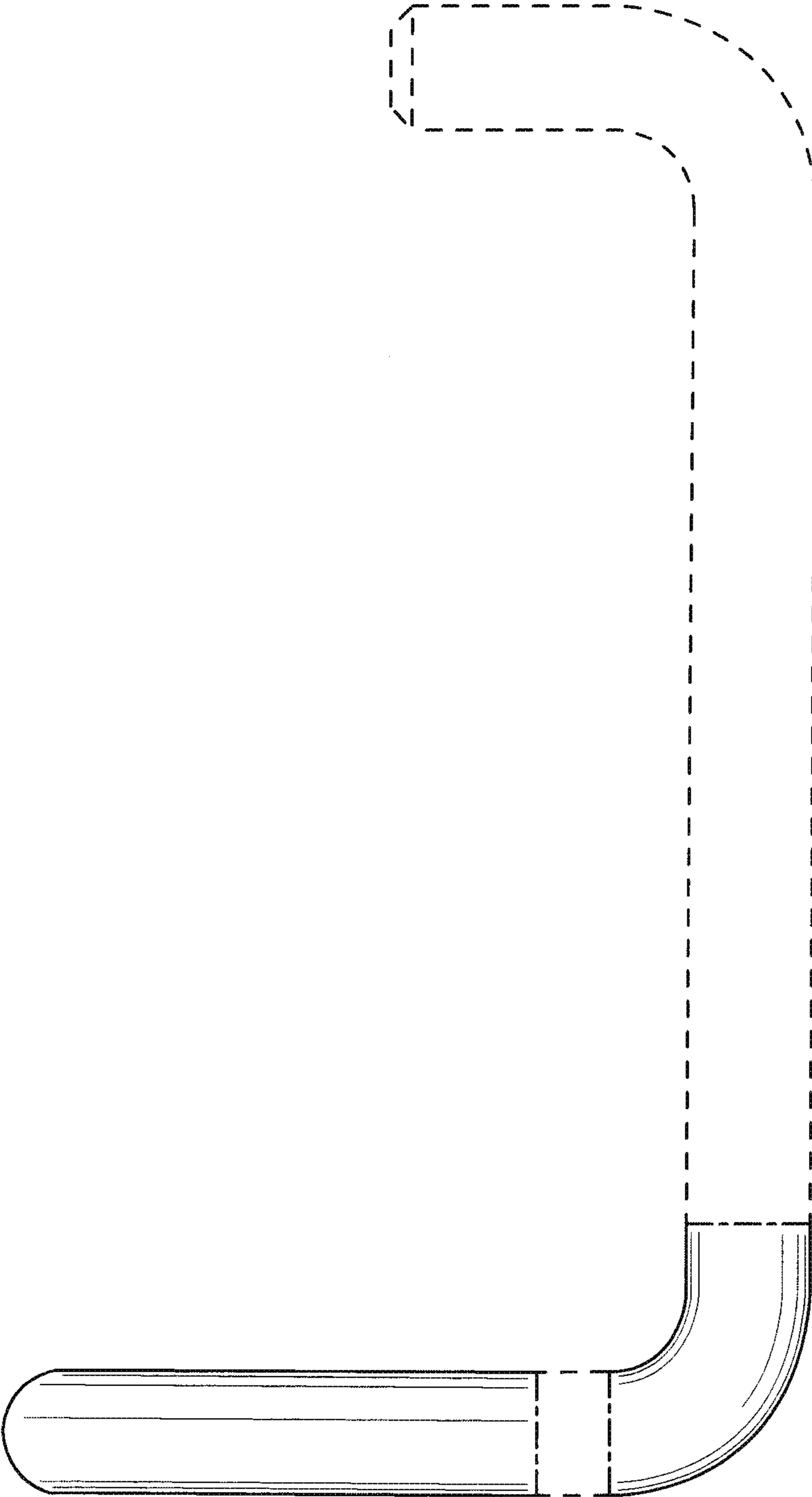


FIG. 3

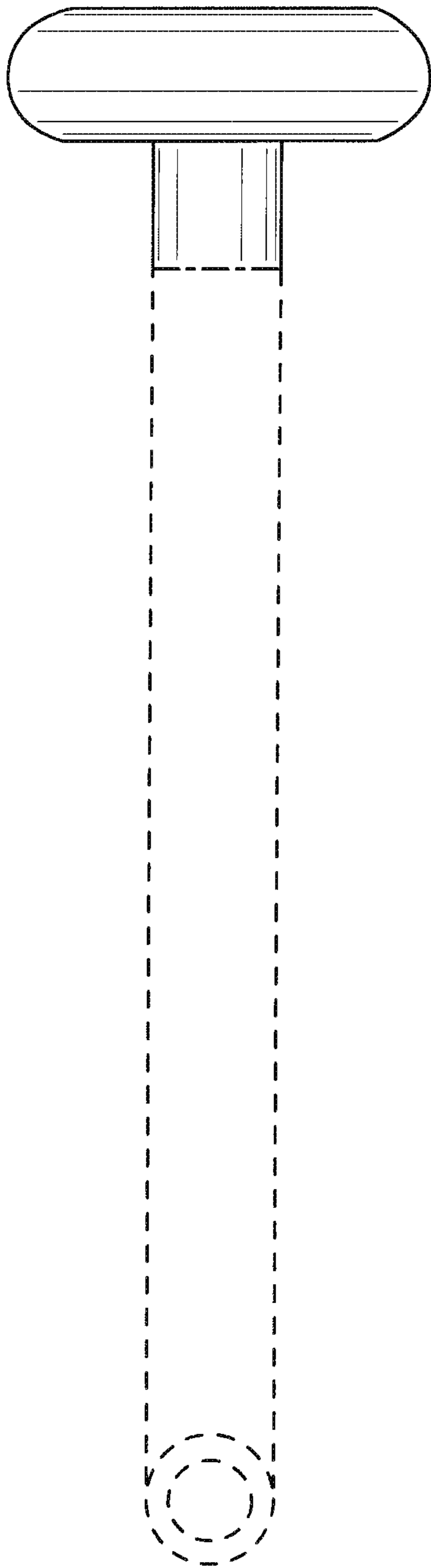


FIG. 4

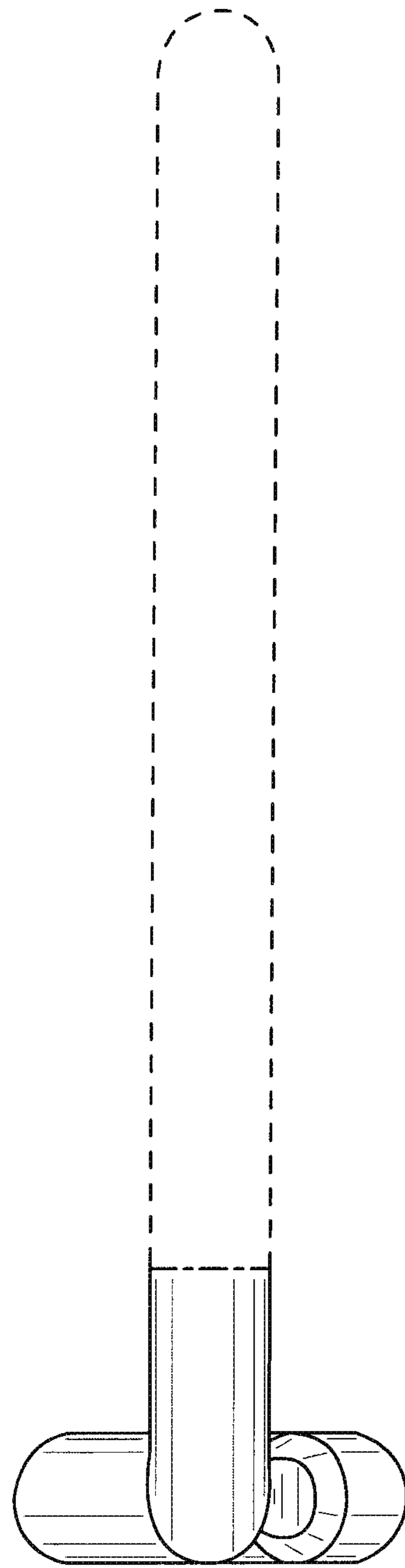


FIG. 5



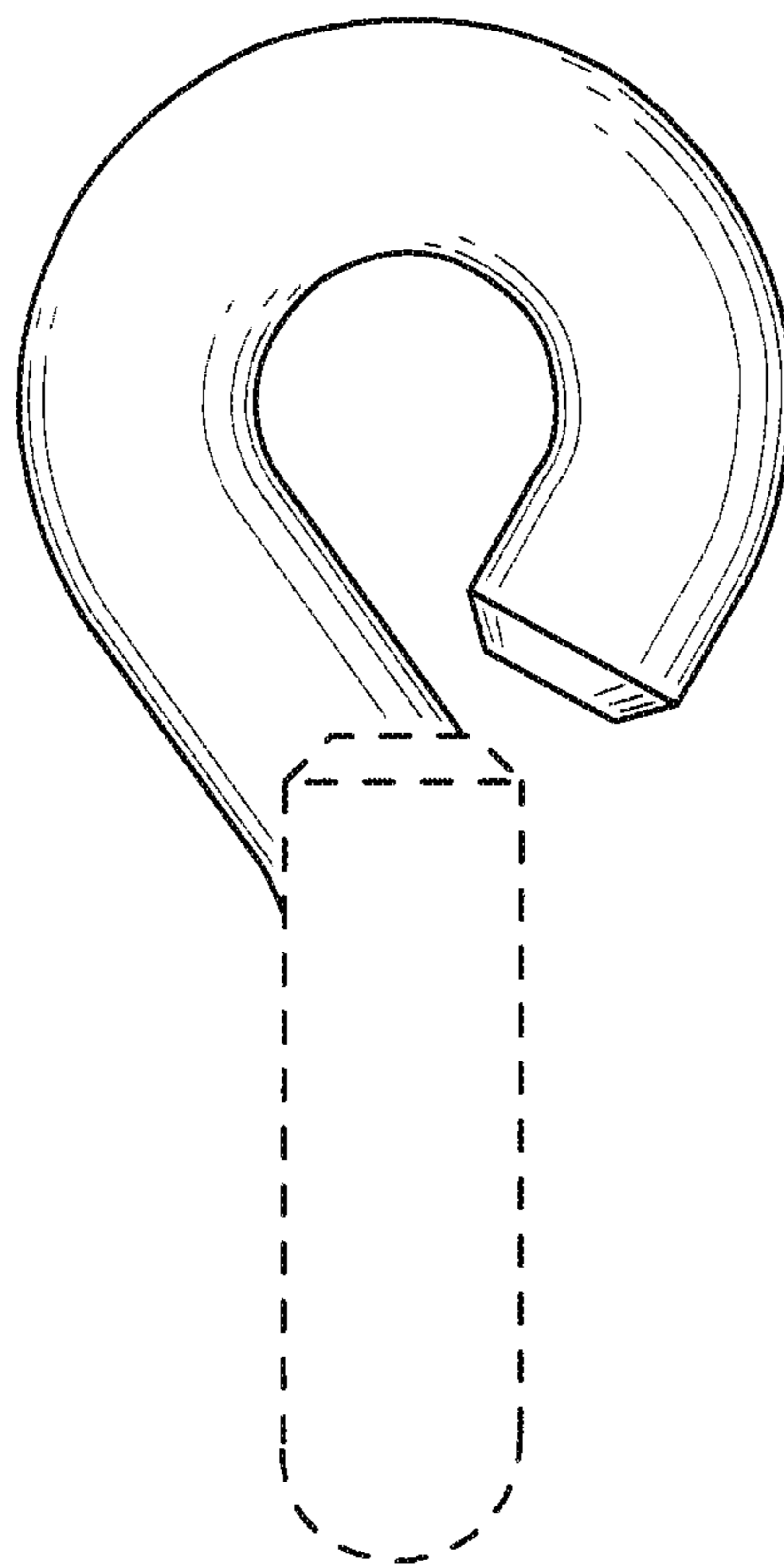


FIG. 6

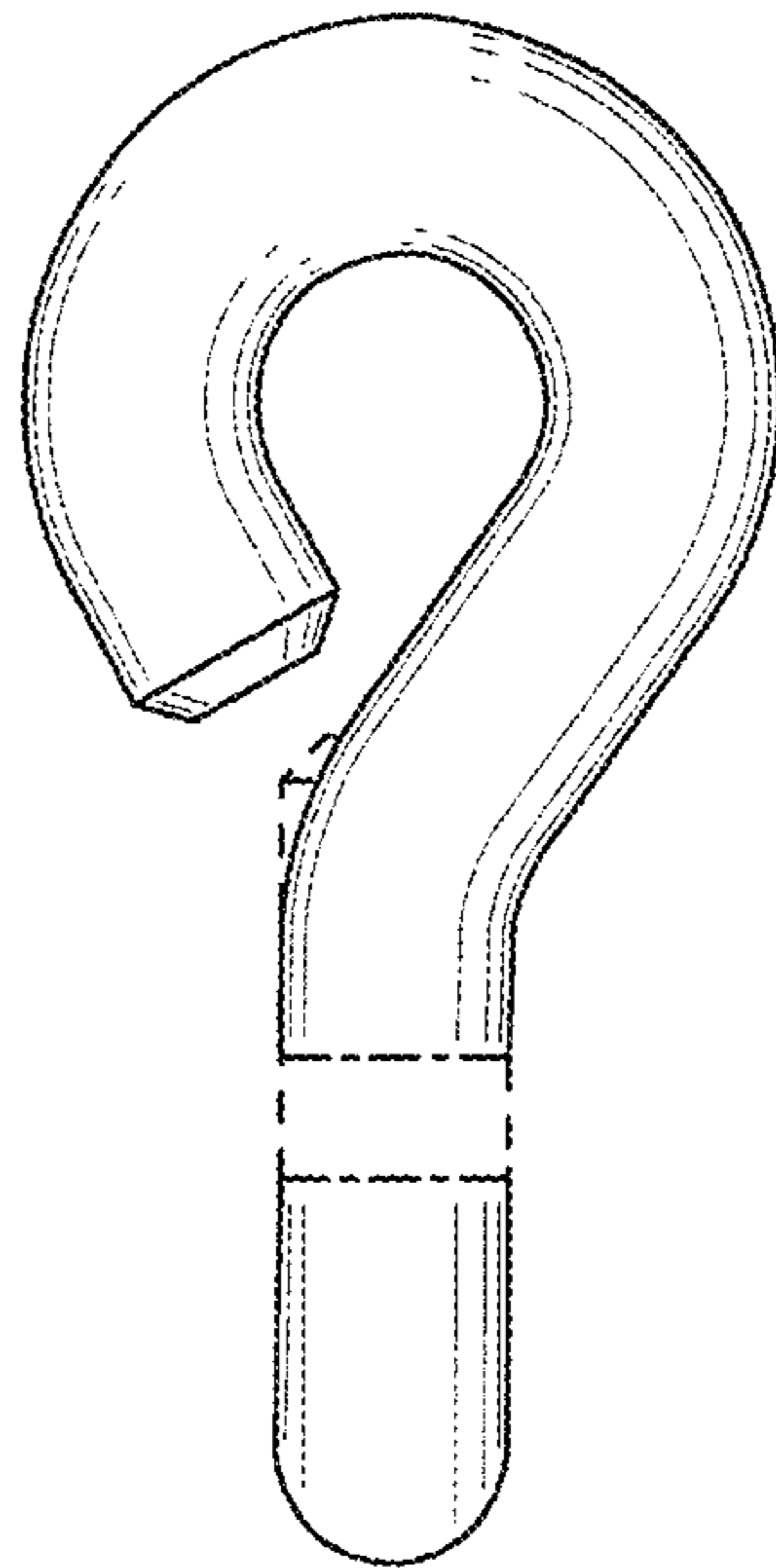


FIG. 7