



US00D804937S

(12) **United States Design Patent**
Paik et al.

(10) **Patent No.:** **US D804,937 S**

(45) **Date of Patent:** **** Dec. 12, 2017**

(54) **TENSION LOCK**

(71) Applicant: **WOJIN PLASTIC CO., LTD,**
Guri-si, Gyeonggi-do (KR)

(72) Inventors: **Jisook Paik**, Seoul (KR); **Nan Hee Paik**, Seoul (KR); **Ji Hye Paik**, Seoul (KR); **Ji Won Son**, Seoul (KR)

(73) Assignee: **WOJIN PLASTIC CO., LTD,**
Guri-si (KR)

(**) Term: **15 Years**

(21) Appl. No.: **29/589,379**

(22) Filed: **Dec. 30, 2016**

(30) **Foreign Application Priority Data**

Aug. 5, 2016 (KR) 30-2016-0038205

(51) **LOC (10) Cl.** **09-06**

(52) **U.S. Cl.**
USPC **D8/356**

(58) **Field of Classification Search**
USPC D8/356, 354, 349; 206/233; D11/218
CPC B65H 57/16; E02D 5/803; B63B 21/045;
B63B 59/02; B60D 1/18; B60P 1/103;
B60P 7/0823; Y10T 24/3918; A62B
35/0081; H04R 1/1033; A44B 13/0029;
A44B 11/04

See application file for complete search history.

(56) **References Cited**

U.S. PATENT DOCUMENTS

D483,294 S * 12/2003 Uehara D11/218
D507,509 S * 7/2005 Hou D11/218

D508,218 S * 8/2005 Yoshiguchi D11/218
D510,297 S * 10/2005 Funo D11/218
D564,409 S * 3/2008 Pontaoe D11/218
D576,077 S * 9/2008 Yoshiguchi D11/218
7,552,515 B2 * 6/2009 Funo A44B 11/04
24/200
D619,497 S * 7/2010 Paik D11/218
D619,498 S * 7/2010 Paik D11/218
D649,907 S * 12/2011 Kataguchi D11/218
D661,573 S * 6/2012 Paik D8/367
D668,580 S * 10/2012 Kax D11/218
D686,059 S * 7/2013 Paik D8/356
D731,921 S * 6/2015 Kung D11/218
D741,148 S * 10/2015 Liu D11/218
D742,722 S * 11/2015 Paik D8/356

* cited by examiner

Primary Examiner — Cynthia Underwood

(74) *Attorney, Agent, or Firm* — Novick, Kim & Lee,
PLLC; Jae Youn Kim

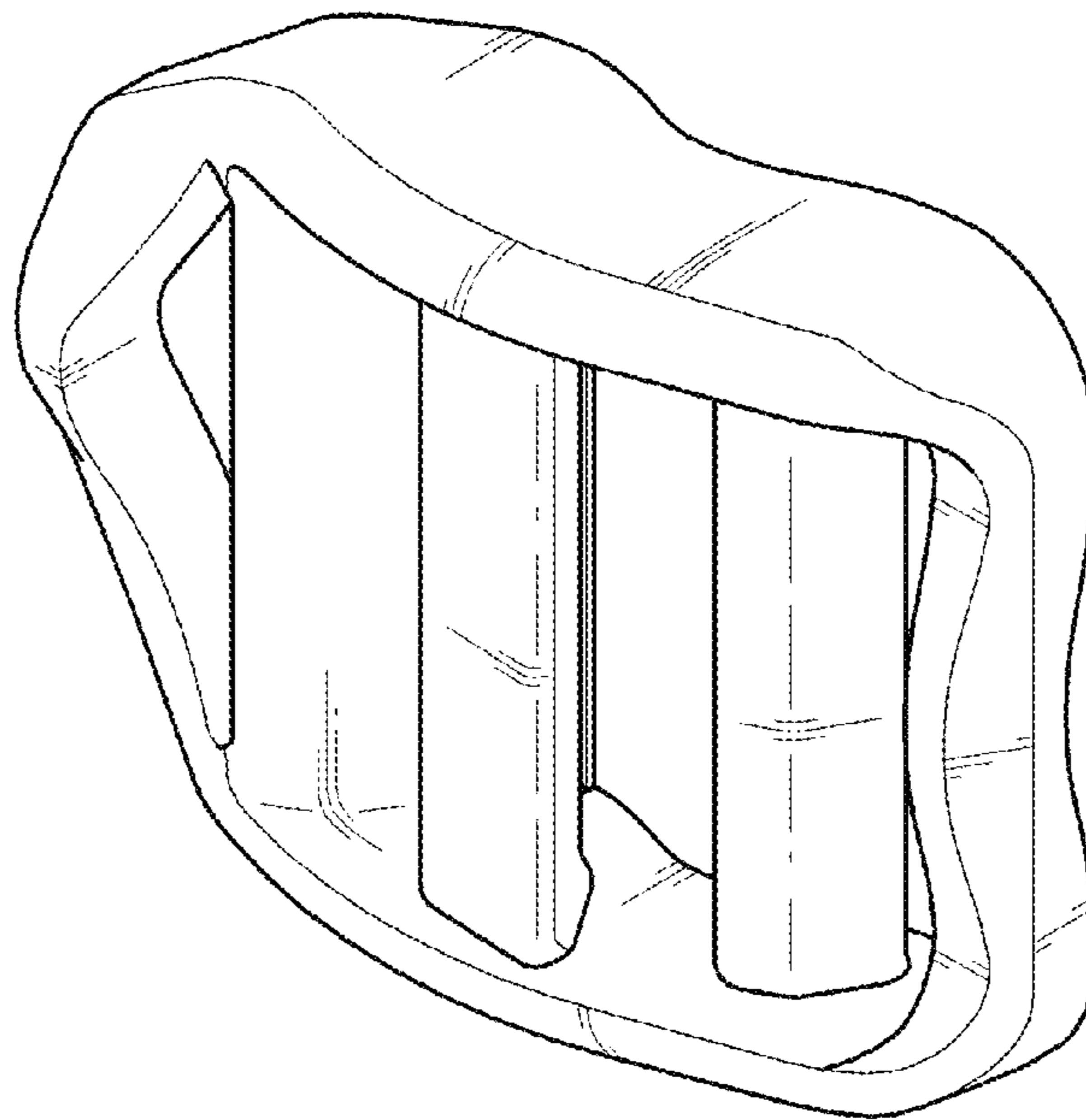
(57) **CLAIM**

We claim, the ornamental design for a tension lock, as shown and described.

DESCRIPTION

FIG. 1 is a perspective view of a tension lock, showing our new design;
FIG. 2 is a front elevational view thereof;
FIG. 3 is a rear elevational view thereof;
FIG. 4 is a left side elevational view thereof;
FIG. 5 is a right side elevational view thereof;
FIG. 6 is a top plan view thereof;
FIG. 7 is a bottom plan view thereof; and,
FIG. 8 is a cross-sectional view along the line 8-8 of FIG. 2.

1 Claim, 4 Drawing Sheets



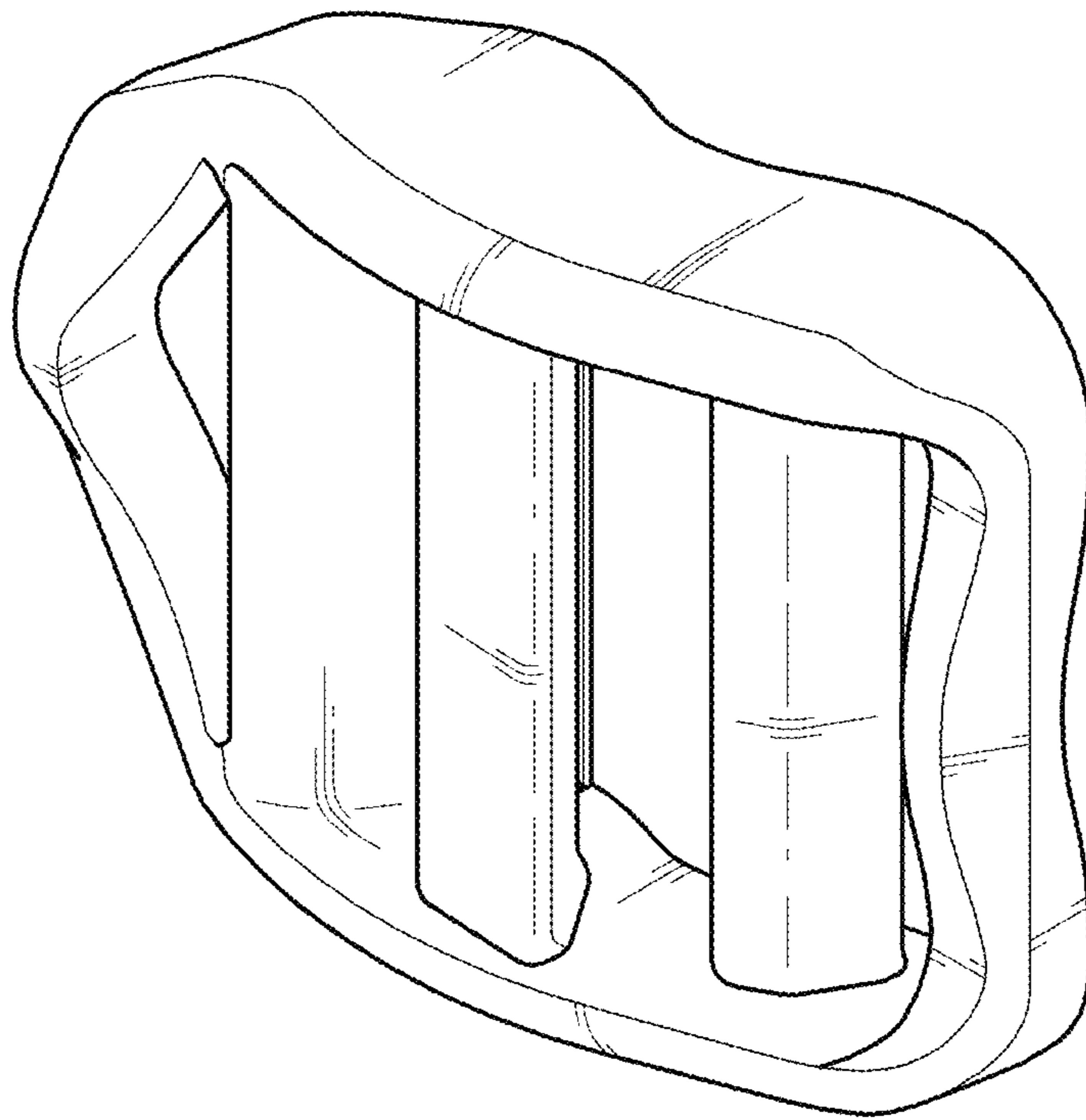


FIG.1

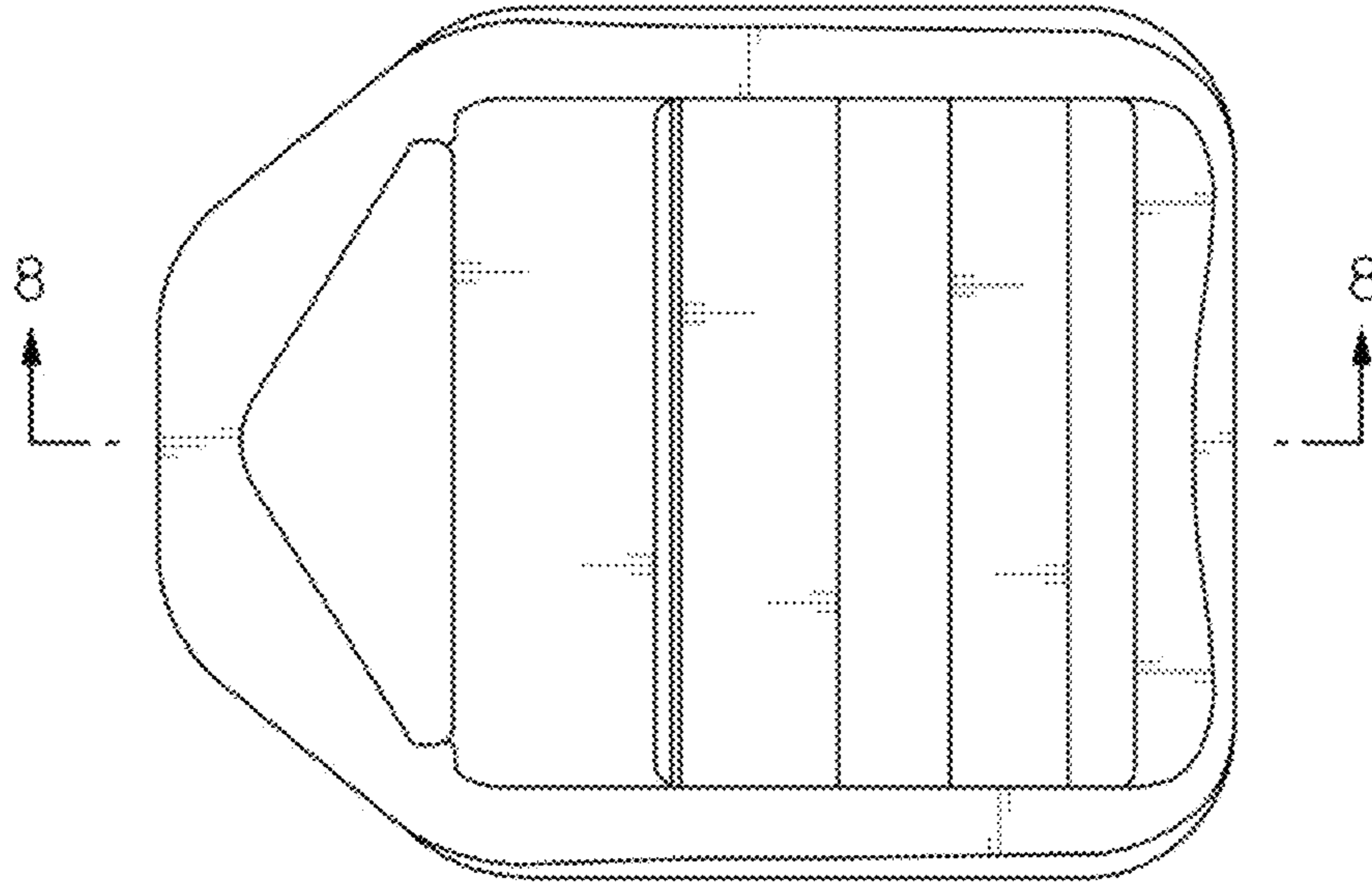


FIG. 2

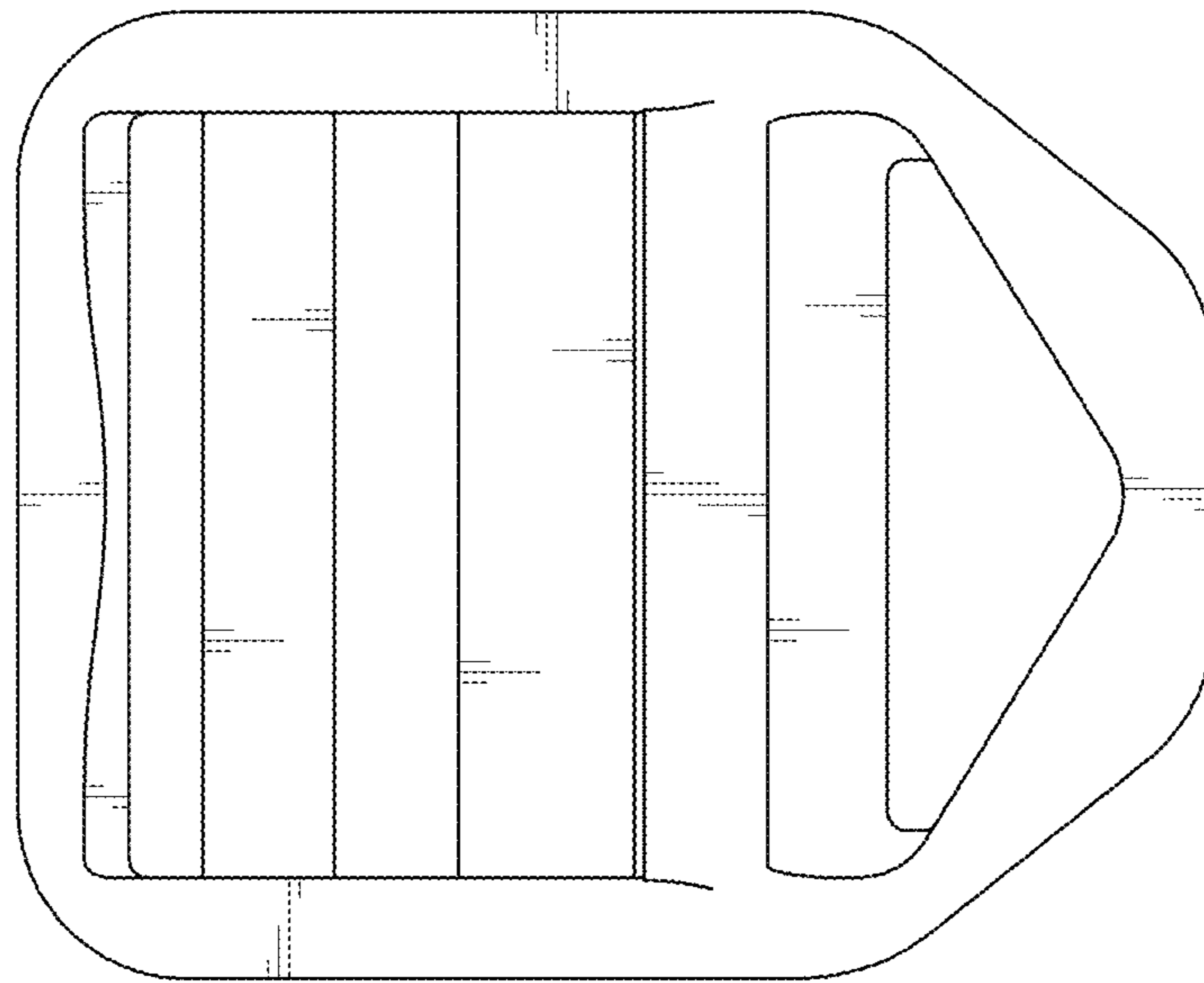


FIG. 3

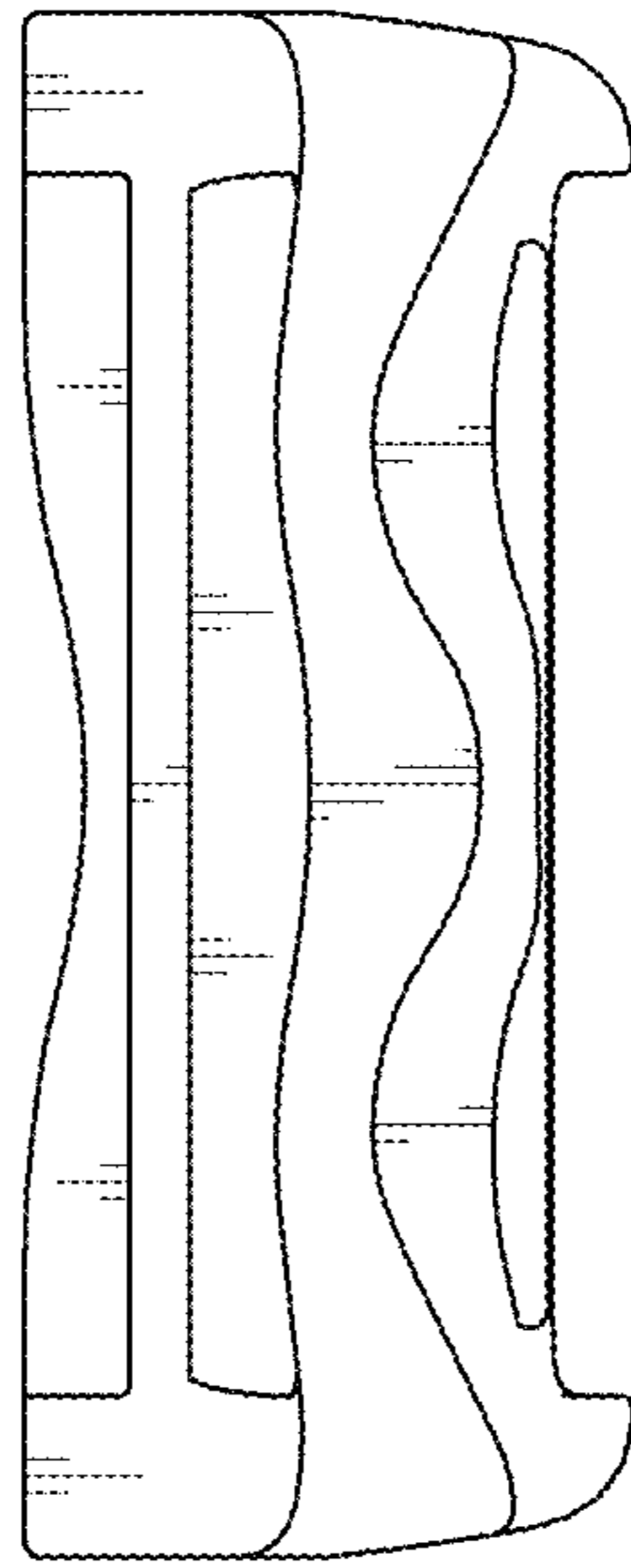


FIG. 4

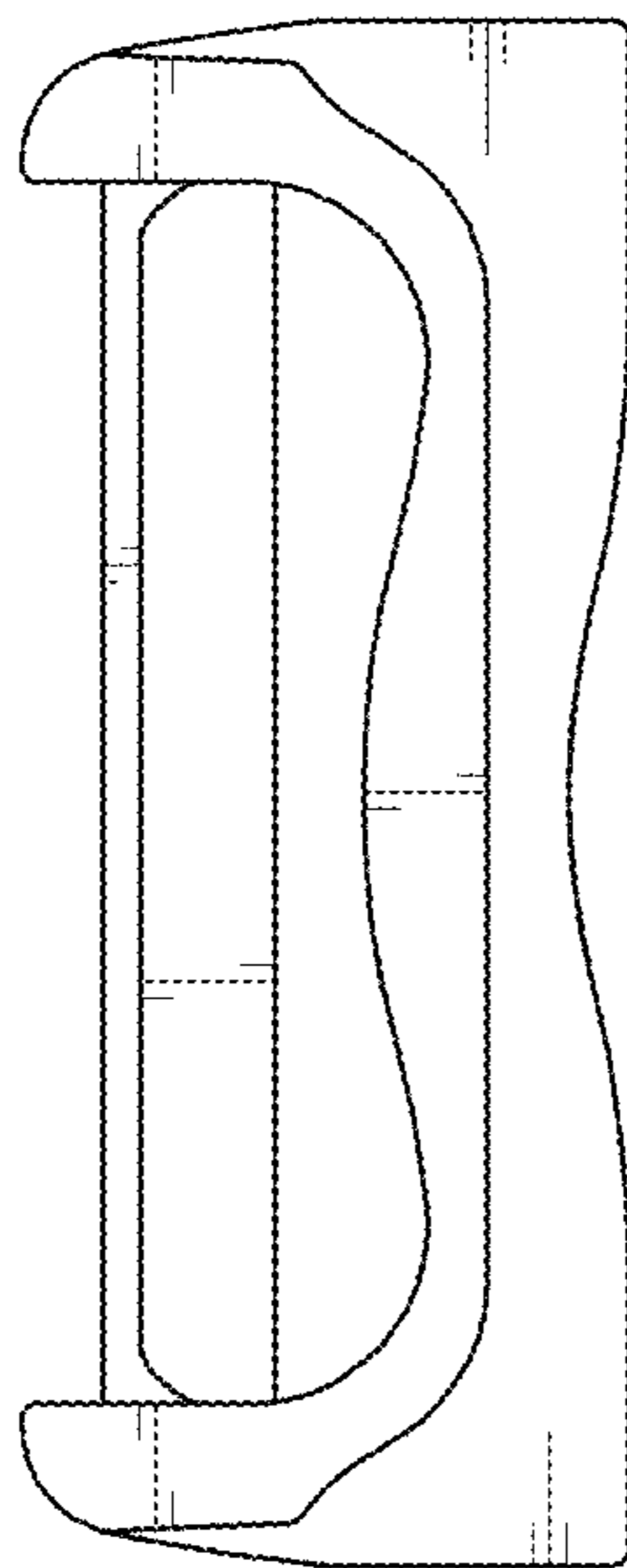


FIG. 5

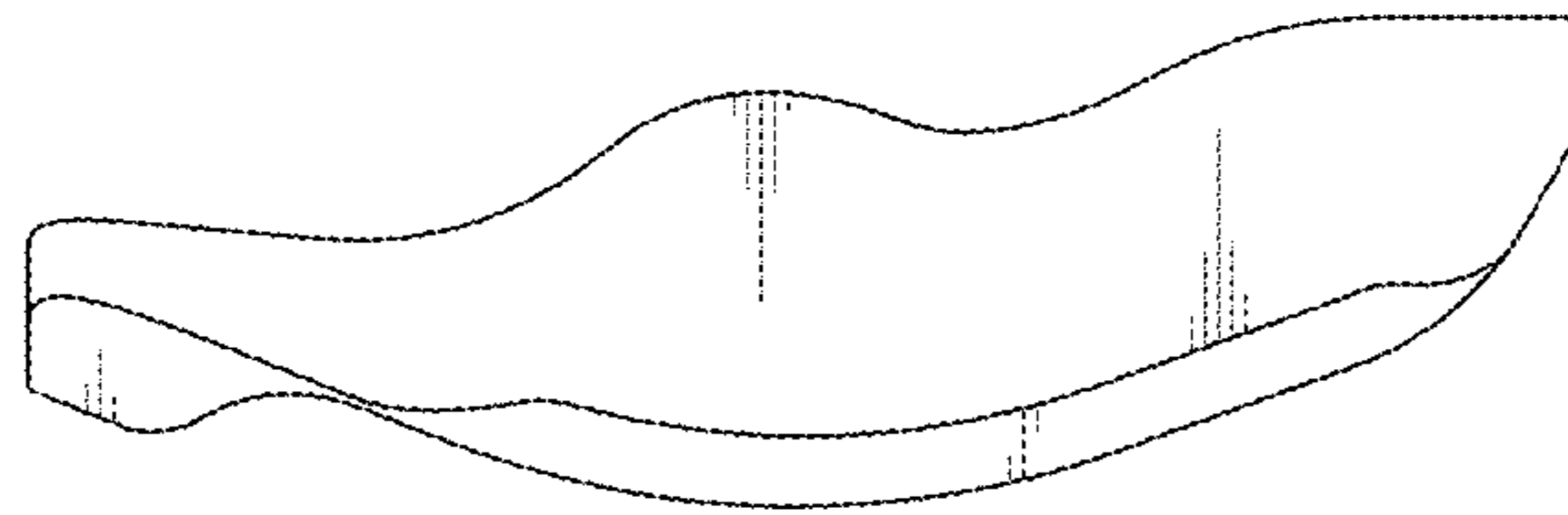


FIG. 6

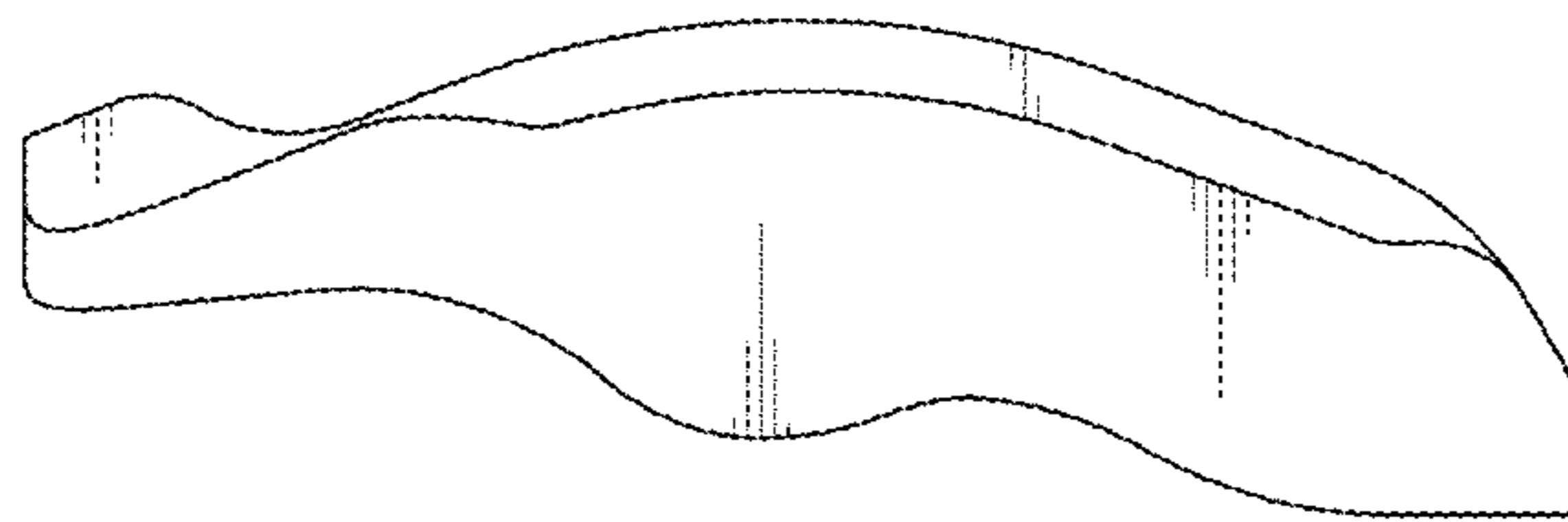


FIG. 7

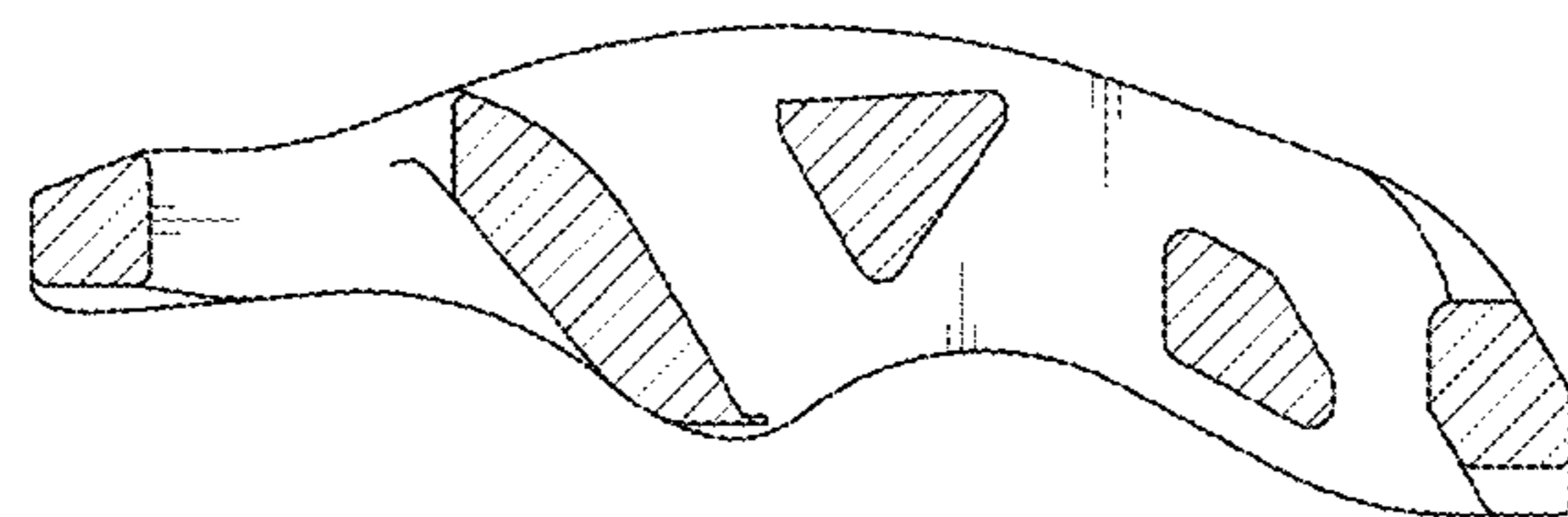


FIG. 8