



US00D804936S

(12) **United States Design Patent** (10) **Patent No.:** **US D804,936 S**
Smith (45) **Date of Patent:** **** Dec. 12, 2017**

(54) **WIRE PULL BRACKET ASSEMBLY**

(71) Applicant: **James David Smith**, Manchester, NH
(US)

(72) Inventor: **James David Smith**, Manchester, NH
(US)

(**) Term: **15 Years**

(21) Appl. No.: **29/565,926**

(22) Filed: **May 25, 2016**

(51) **LOC (10) Cl.** **09-06**

(52) **U.S. Cl.**
USPC **D8/356**

(58) **Field of Classification Search**
USPC D6/323; D8/67, 330, 349, 354, 355, 356,
D8/363, 364, 367, 371, 373, 383, 397;
D15/5, 146, 147, 148; D34/32, 33, 35
See application file for complete search history.

(56) **References Cited**

U.S. PATENT DOCUMENTS

4,079,584 A * 3/1978 Shahan B21K 1/72
59/35.1
7,393,033 B1 * 7/2008 Bisso, IV F16G 15/06
294/82.1

(Continued)

OTHER PUBLICATIONS

Blue Wave Rigging Hardward, Sailboat wire rope shackle terminal,
downloaded from Internet Nov. 12, 2015, <http://www.nauticexpo.com/prod/blue-wave-rigging-hardware-22690.html>, 9 pages.

(Continued)

Primary Examiner — John Windmuller
Assistant Examiner — Benjamin Weeks
(74) *Attorney, Agent, or Firm* — Grossman Tucker
Perreault & Pflieger PLLC

(57) **CLAIM**

The ornamental design for a wire pull bracket assembly, as shown and described.

DESCRIPTION

FIG. 1 is an exploded perspective view of the wire pull bracket assembly of the present invention;
FIG. 2 is an assembled perspective view of the wire pull bracket assembly shown in FIG. 1;
FIG. 3 is a top view of the a top view of the wire pull bracket assembly shown in FIG. 1;
FIG. 4 is a bottom view of the wire pull bracket assembly shown in FIG. 1;
FIG. 5 is a first side view of the wire pull bracket assembly shown in FIG. 1;
FIG. 6 is a second side view of the wire pull bracket assembly shown in FIG. 1;
FIG. 7 is a front view of the wire pull bracket assembly shown in FIG. 1;
FIG. 8 is a back view of the wire pull bracket assembly shown in FIG. 1;
FIG. 9 is a perspective view of a portion of the wire pull bracket assembly shown in FIG. 1, which is shown separately for ease of disclosure;
FIG. 10 is a first side view of the portion of the wire pull bracket assembly shown in FIG. 9;
FIG. 11 is a second side view of the portion of the wire pull bracket assembly shown in FIG. 9;
FIG. 12 is a front view of the portion of the wire pull bracket assembly shown in FIG. 9;
FIG. 13 is top view of the portion of the wire pull bracket assembly shown in FIG. 9;
FIG. 14 is a bottom view of the portion of the wire pull bracket assembly shown in FIG. 9;
FIG. 15 is a perspective view of a portion of the wire pull bracket assembly shown in FIG. 1, which is shown separately for ease of disclosure;
FIG. 16 is a top view of the portion of the wire pull bracket assembly shown in FIG. 15;
FIG. 17 is a bottom view of the portion of the wire pull bracket assembly shown in FIG. 15;
FIG. 18 is a side view of the portion of the wire pull bracket assembly shown in FIG. 15;

(Continued)

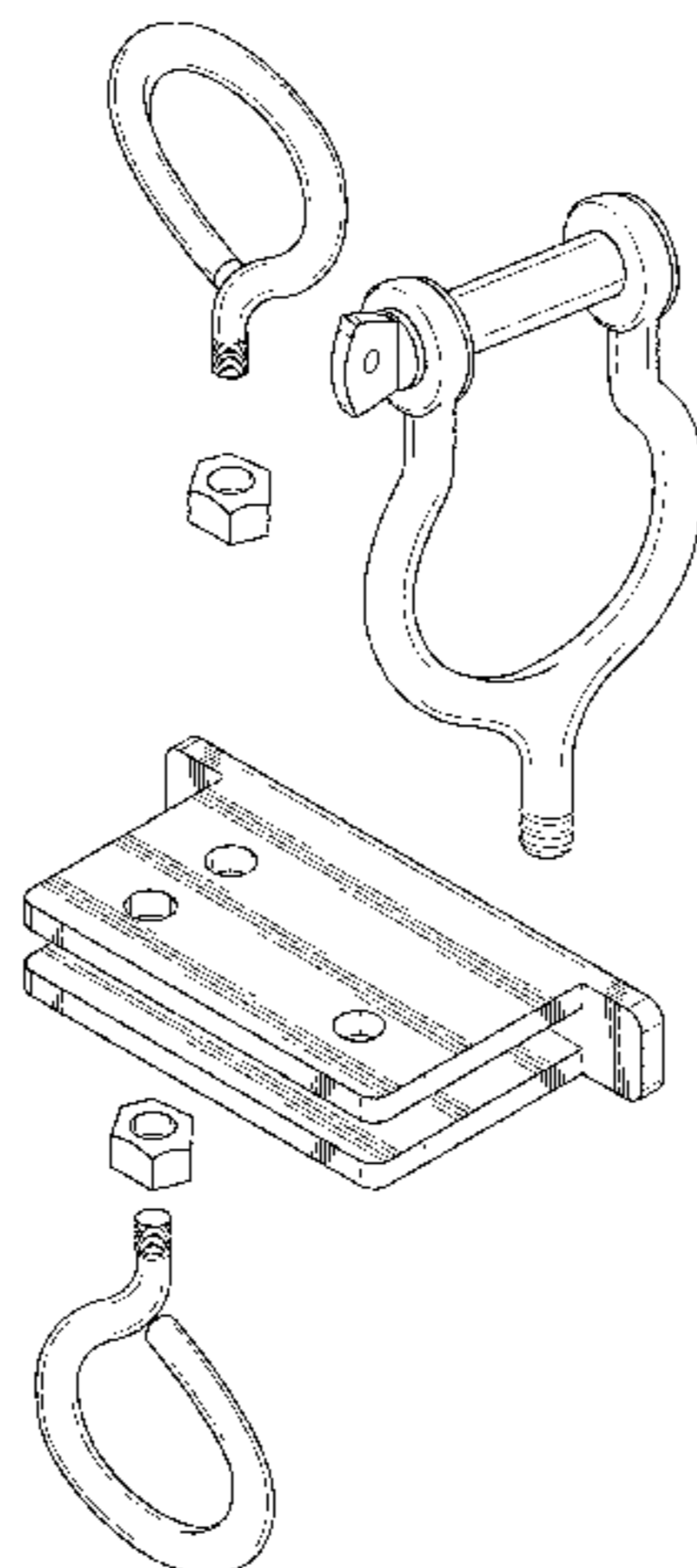


FIG. 19 is a front view the portion of the wire pull bracket assembly shown in FIG. 15; and,

FIG. 20 is a back view of the portion of the wire pull bracket assembly shown in FIG. 15.

The front view of FIG. 12 is a mirror image of the opposing back view, and the side view of FIG. 18 is a mirror image of the opposing side view.

1 Claim, 14 Drawing Sheets

(56)

References Cited

U.S. PATENT DOCUMENTS

D625,987 S *	10/2010	Barrese	D8/367
8,205,922 B1 *	6/2012	Ohman, Jr.	B66C 1/34 294/82.1
8,376,434 B2 *	2/2013	Gaibler	B66C 1/12 294/74
D701,749 S *	4/2014	Walchle	D8/356
D705,042 S *	5/2014	Walchle	D8/356

D732,377 S *	6/2015	Miszewski	D8/356
D764,899 S *	8/2016	Petzl	D8/356
D774,874 S *	12/2016	Wentzel	D8/349

OTHER PUBLICATIONS

Indital—Italian Architectural Forged Steel Components, Stainless Steel Threaded fork Stud M6 (Right), downloaded from Internet Nov. 12, 2015, <http://www.indital.com/Stainless-Steel-Threaded-fork-Stud-M6-Right-p/etmt06dx.htm>, 2 pages.

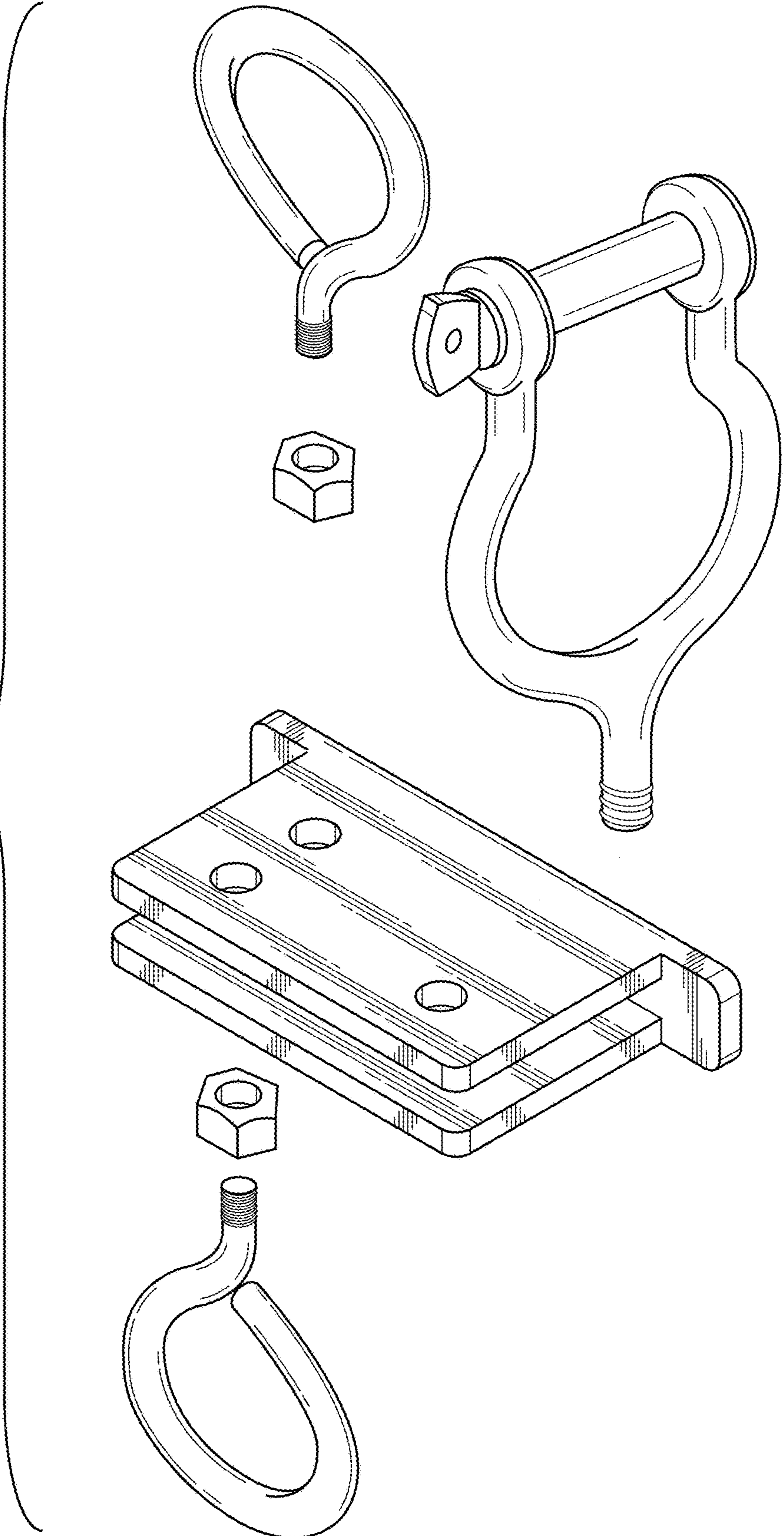
Petersen Stainless Rigging Ltd, Eye Threaded Terminals—Eye Studs RH & LH, downloaded from Internet Nov. 12, 2015, <http://www.petersen-stainless.co.uk/marine/components/eye-threaded-terminals-eye-studs.html>, 3 pages.

Petersen Stainless Rigging Ltd, Fork Threaded Terminals—Fork Studs RH & LH, downloaded from Internet Nov. 12, 2015, <http://www.petersen-stainless.co.uk/marine/components/fork-threaded-terminals-fork-studs.html>, 3 pages.

Petersen Stainless Rigging Ltd, Toggle Threaded Terminals—Shackle Toggle Studs RH & LH, downloaded from Internet Nov. 12, 2015, <http://www.petersen-stainless.co.uk/marine/components/toggle-threaded-terminals-shackle-toggle-studs.html>, 3 pages.

* cited by examiner

FIG. 1



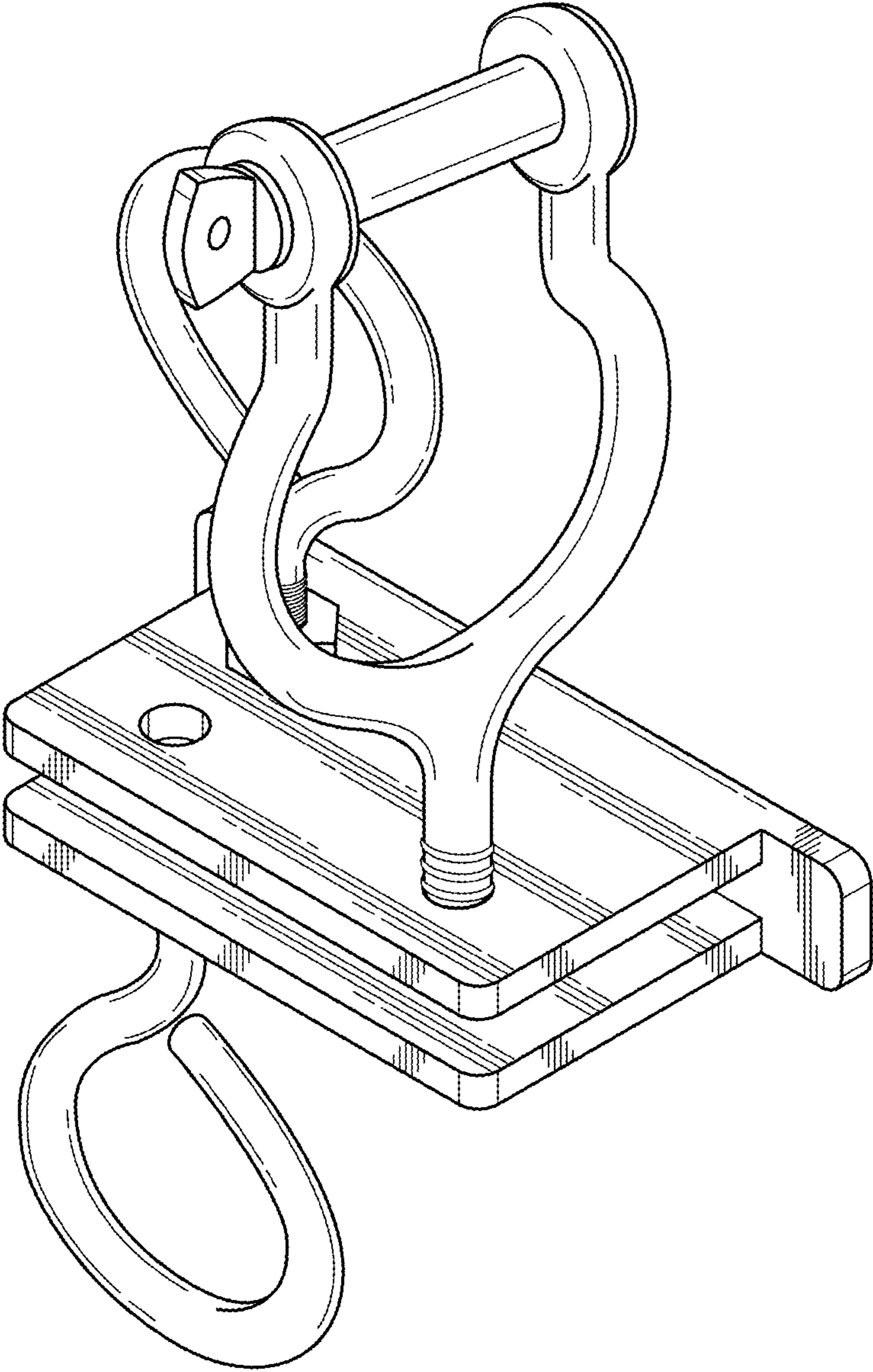


FIG. 2

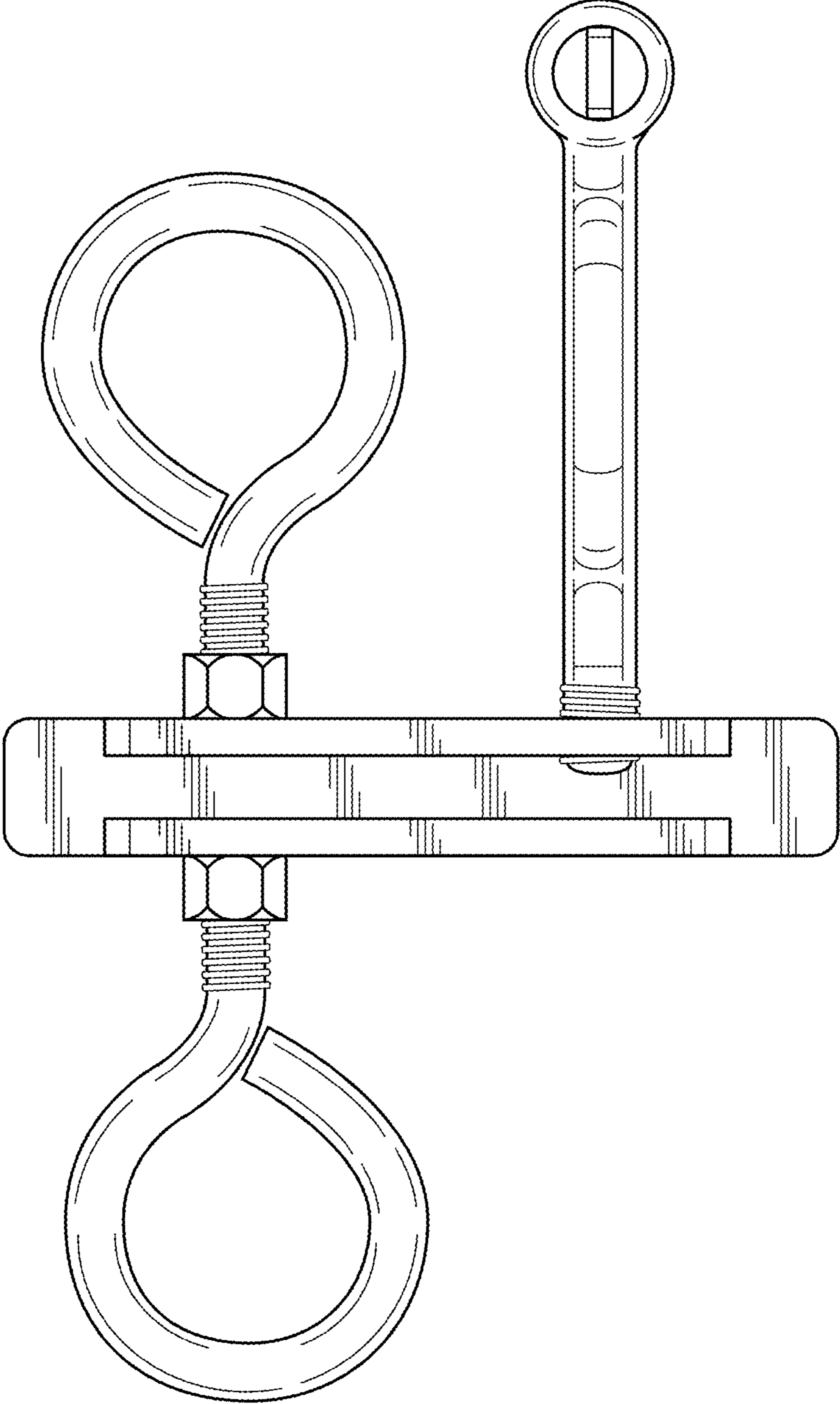


FIG. 3

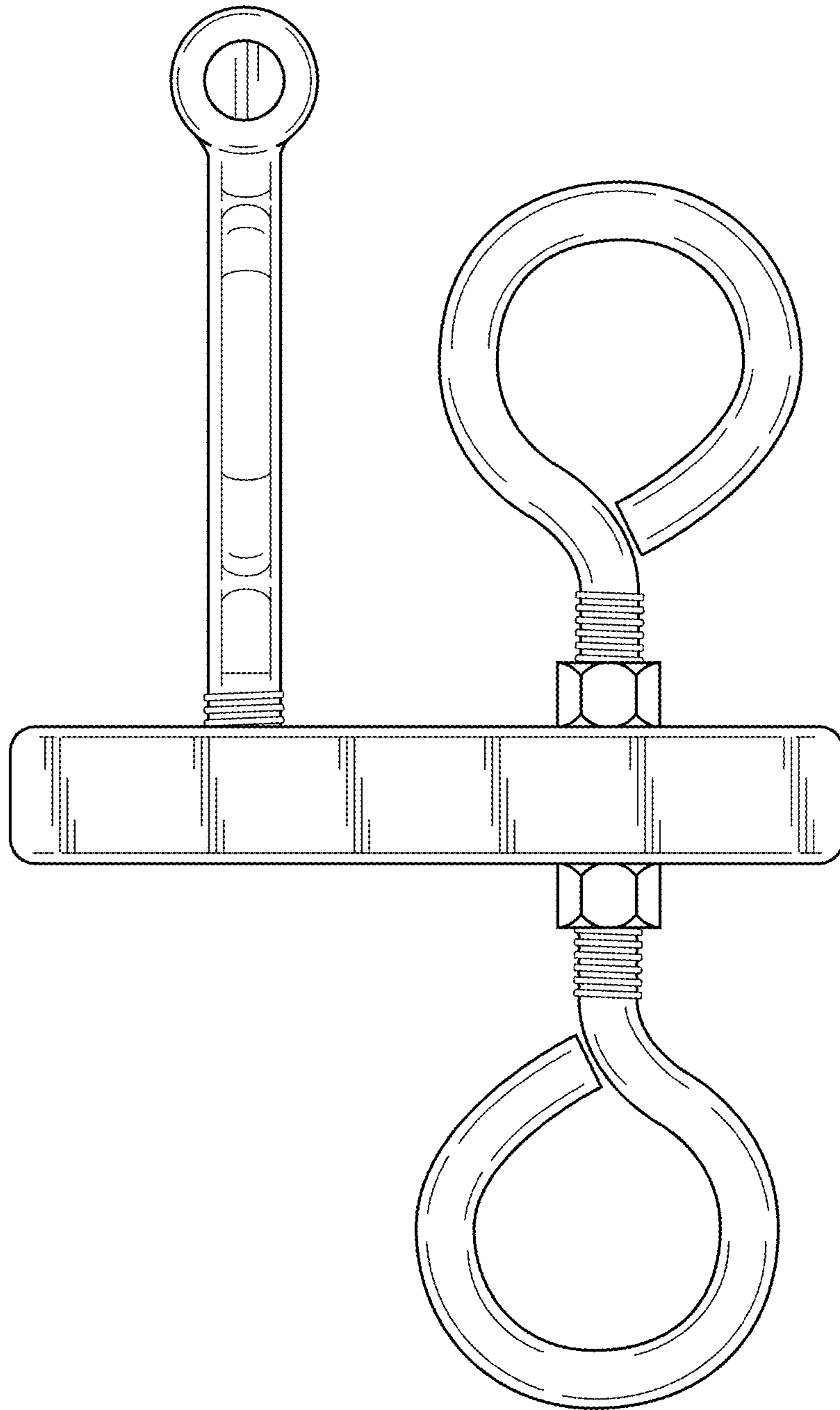


FIG. 4

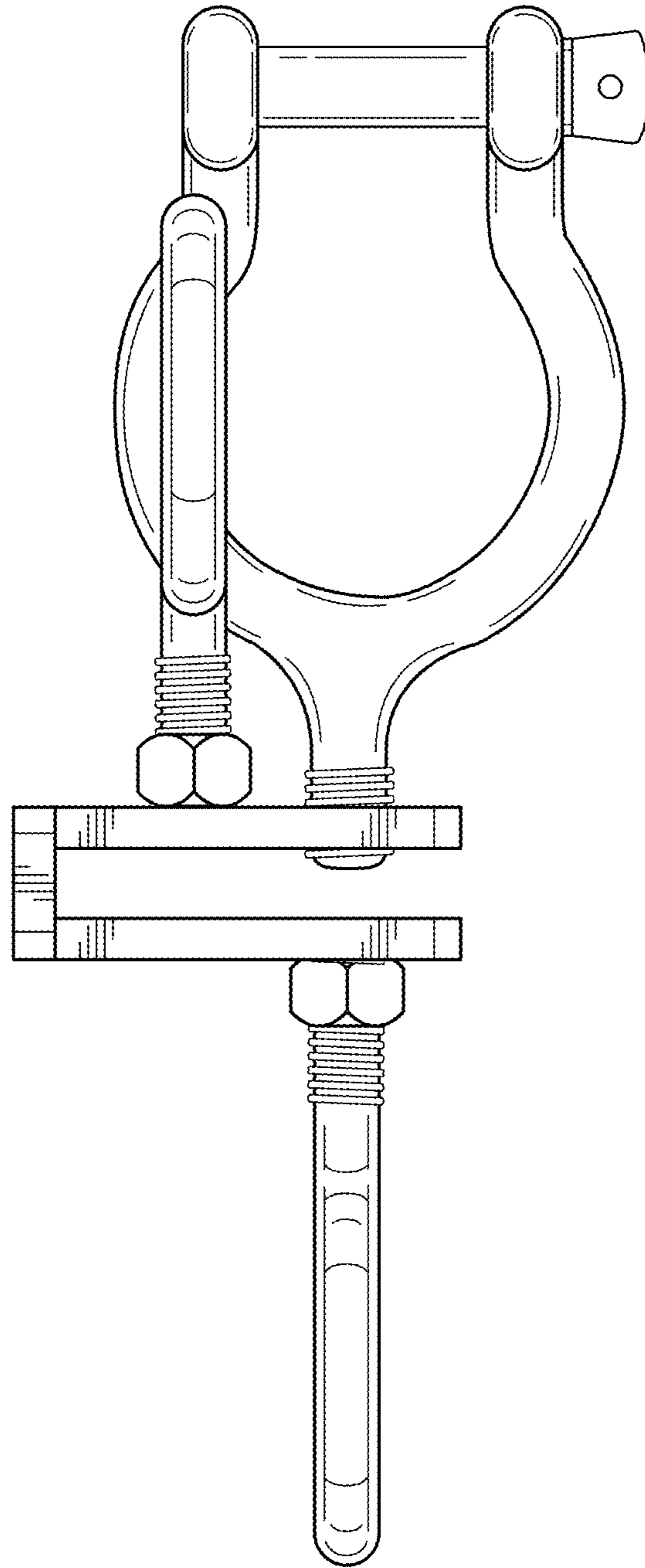


FIG. 5

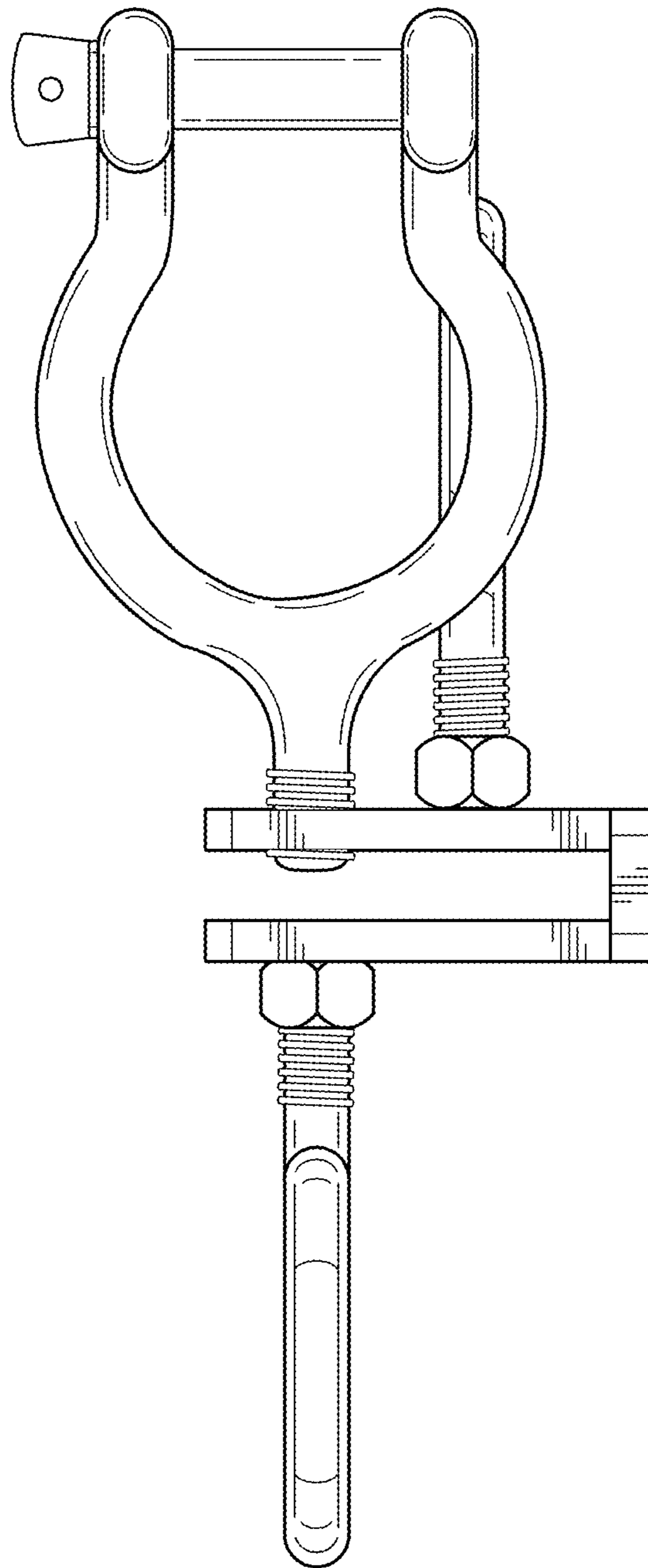


FIG. 6

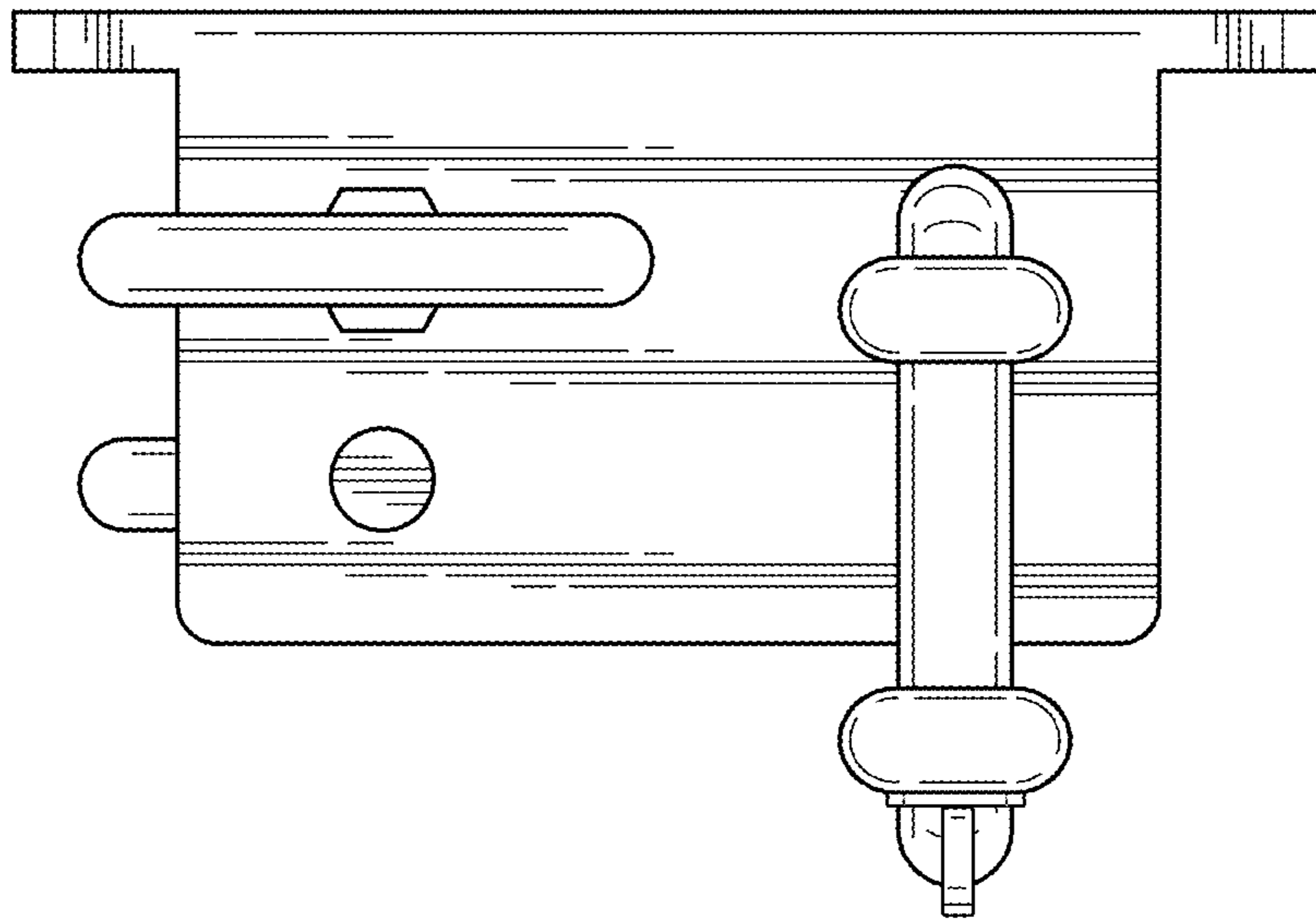


FIG. 7

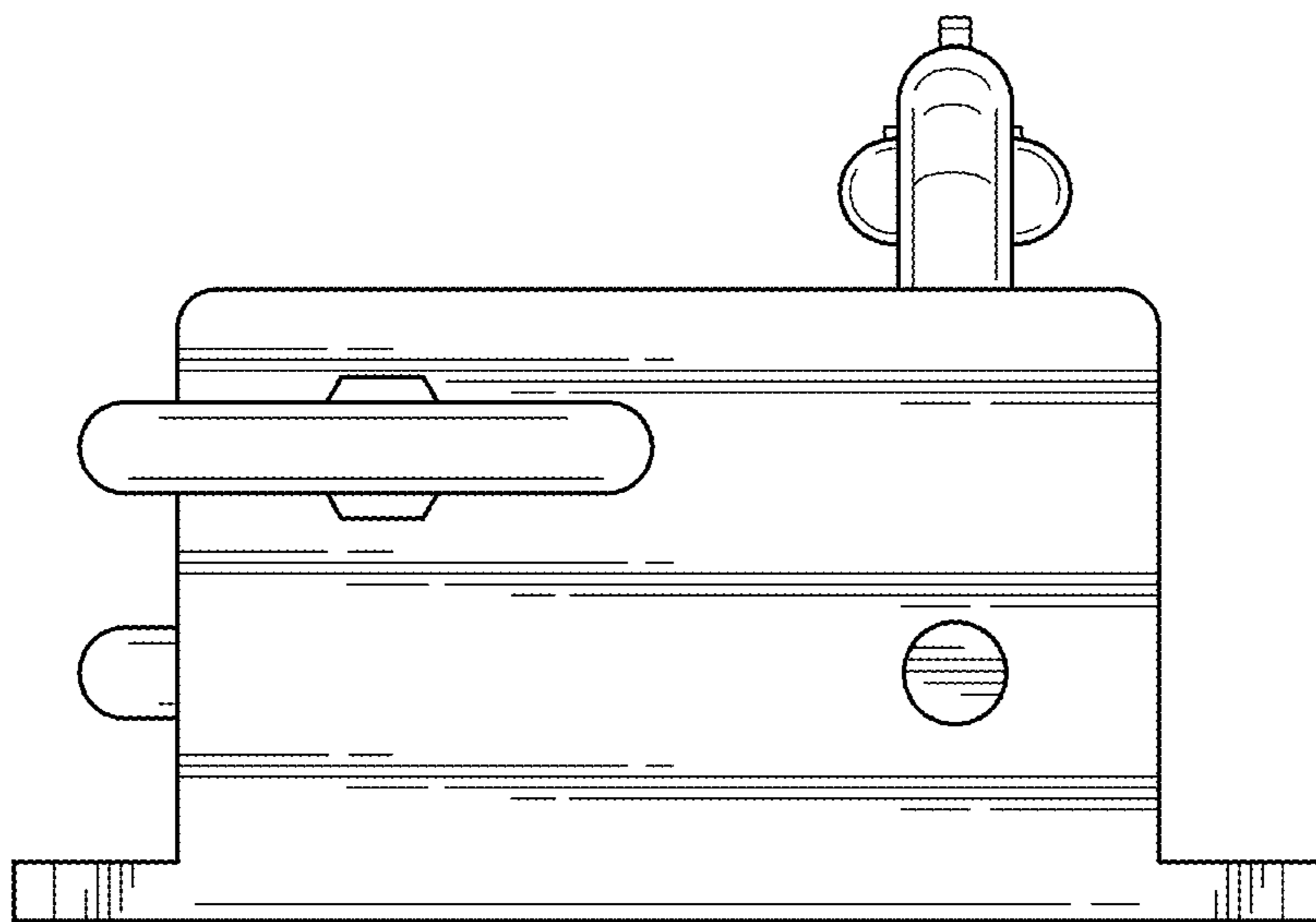


FIG. 8

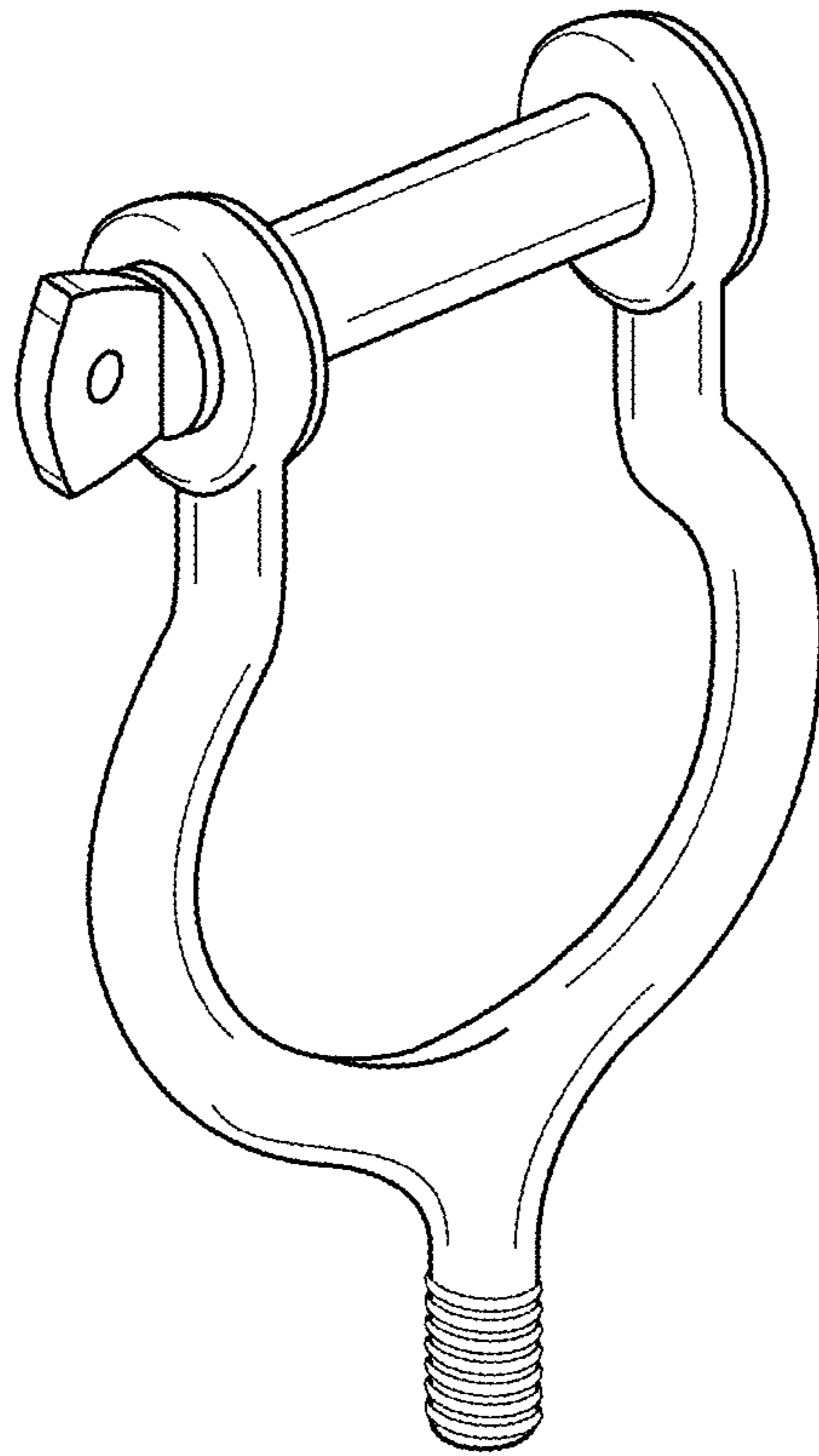


FIG. 9

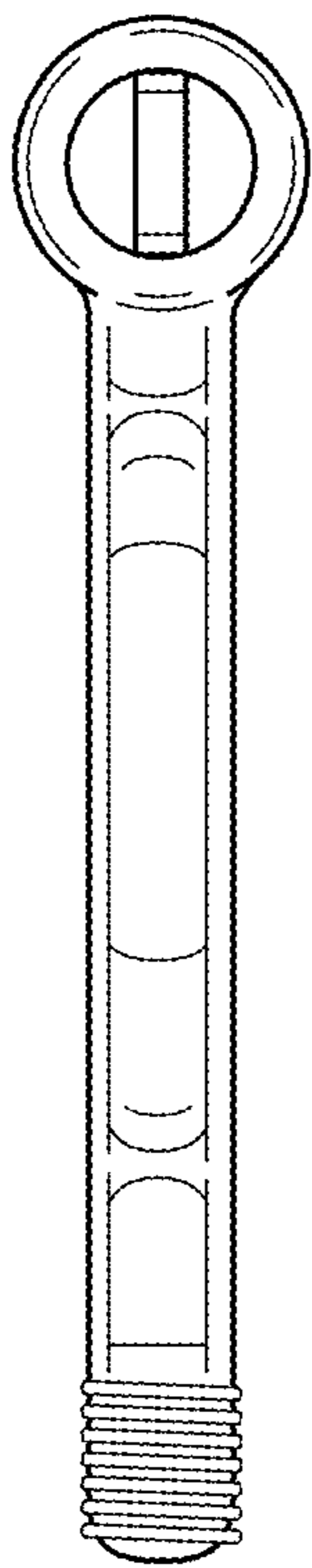


FIG. 10

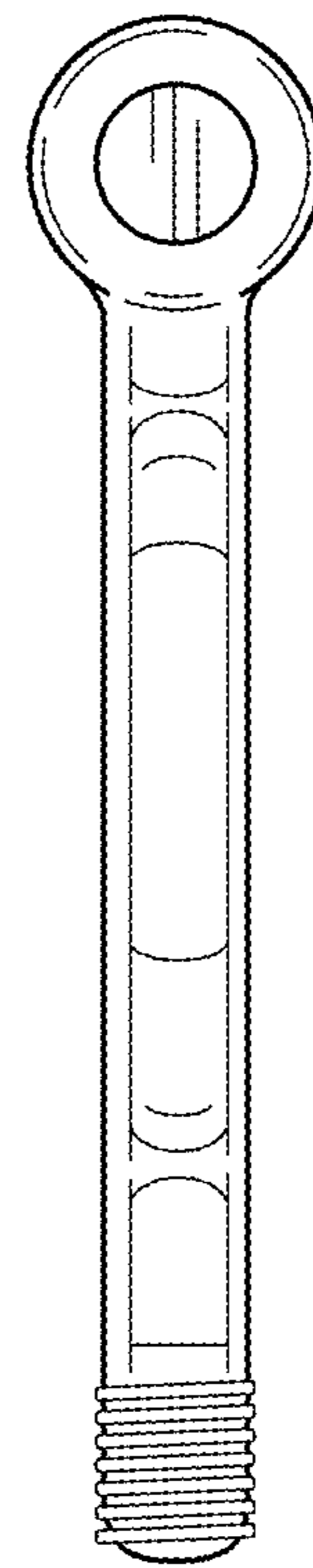


FIG. 11

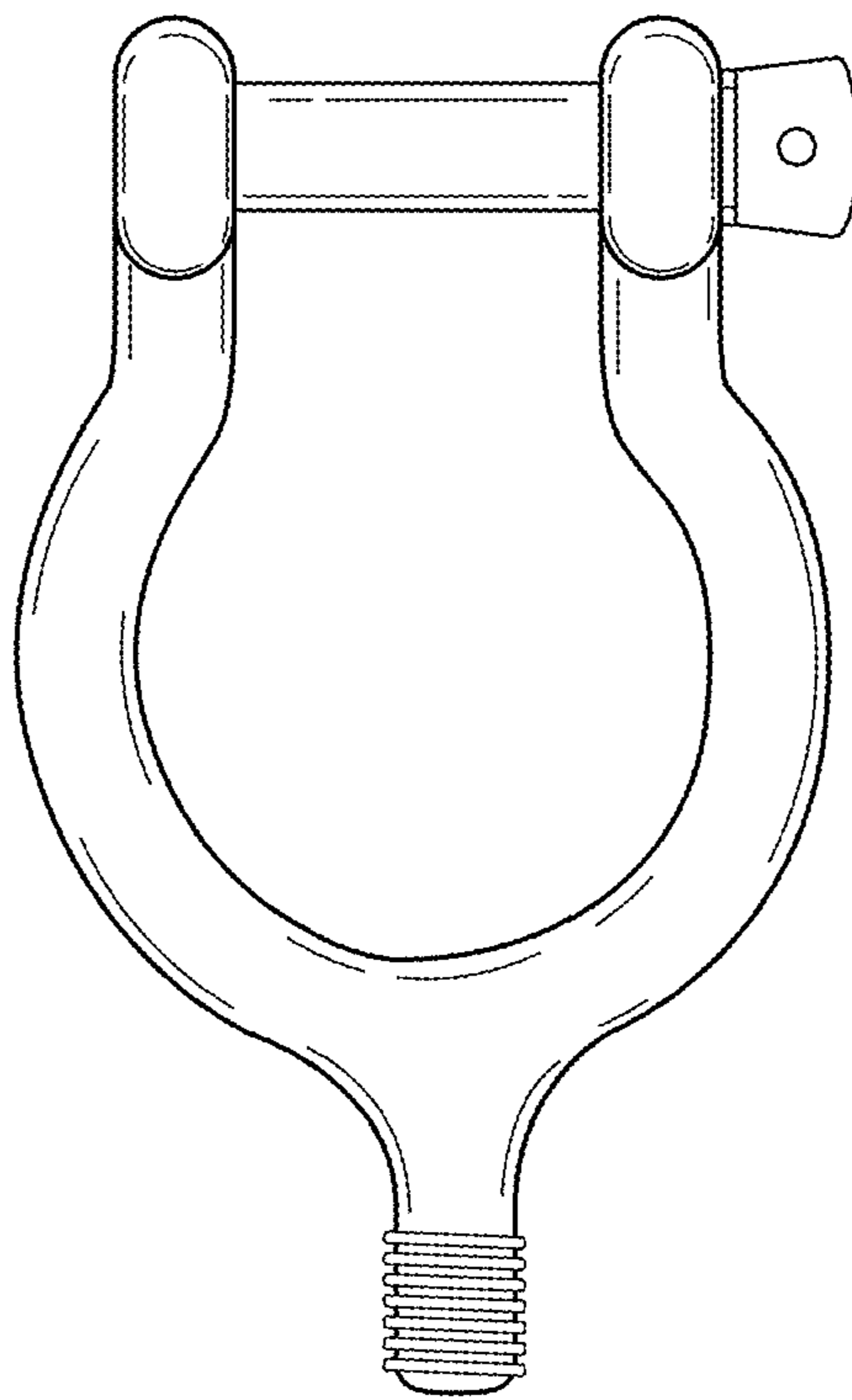


FIG. 12

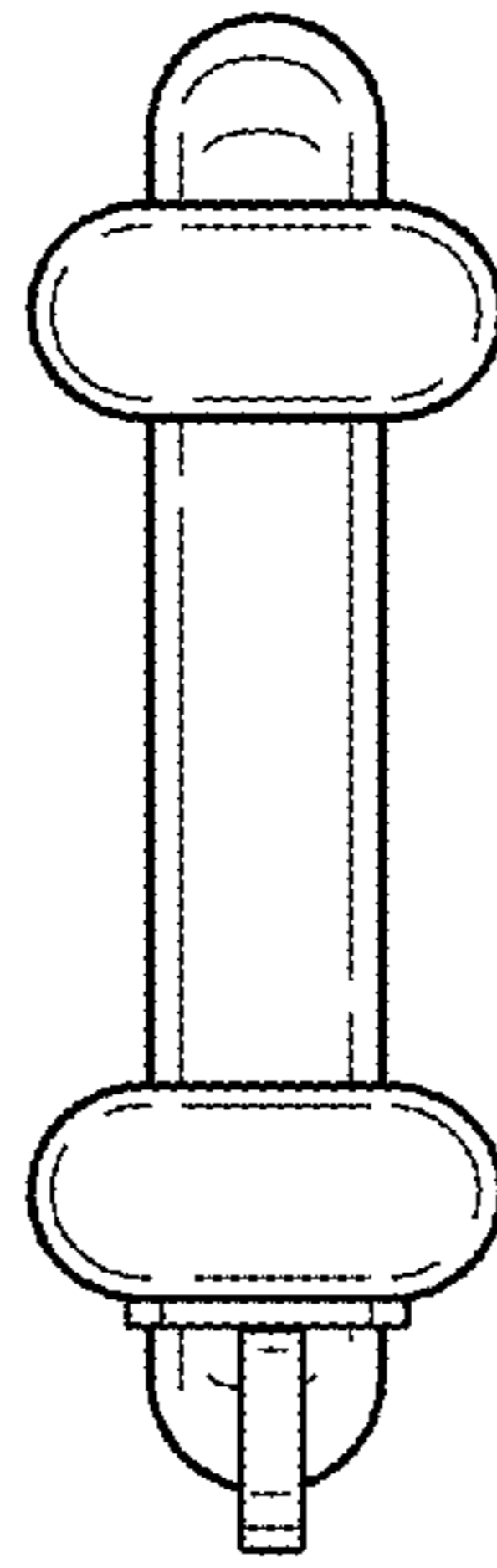


FIG. 13

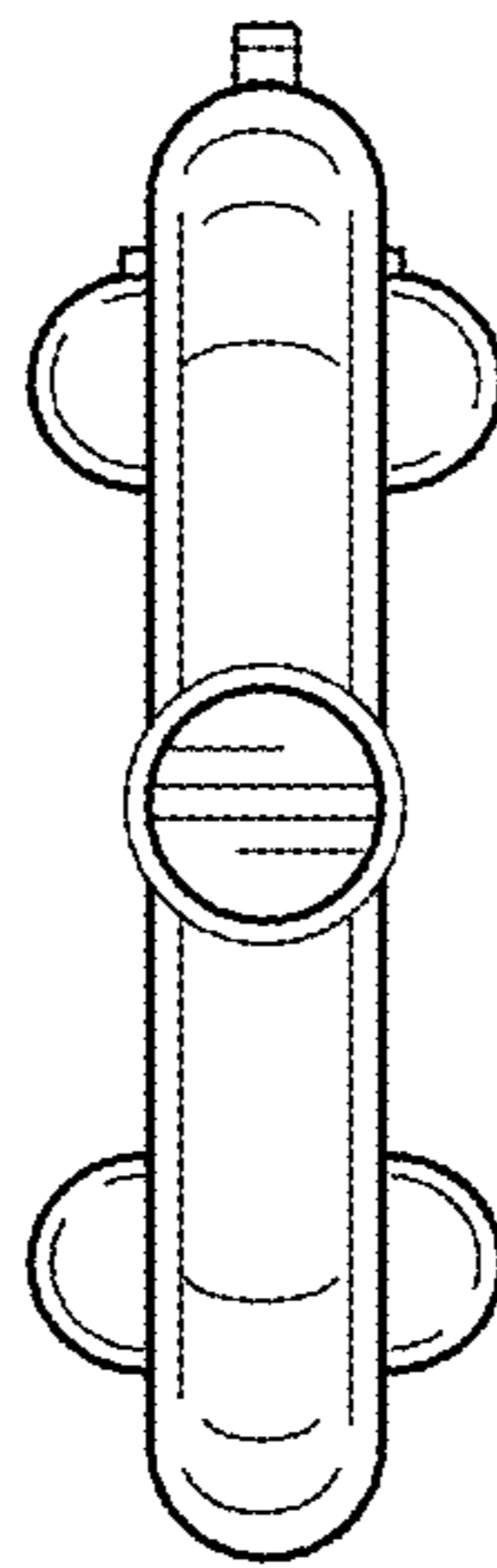


FIG. 14

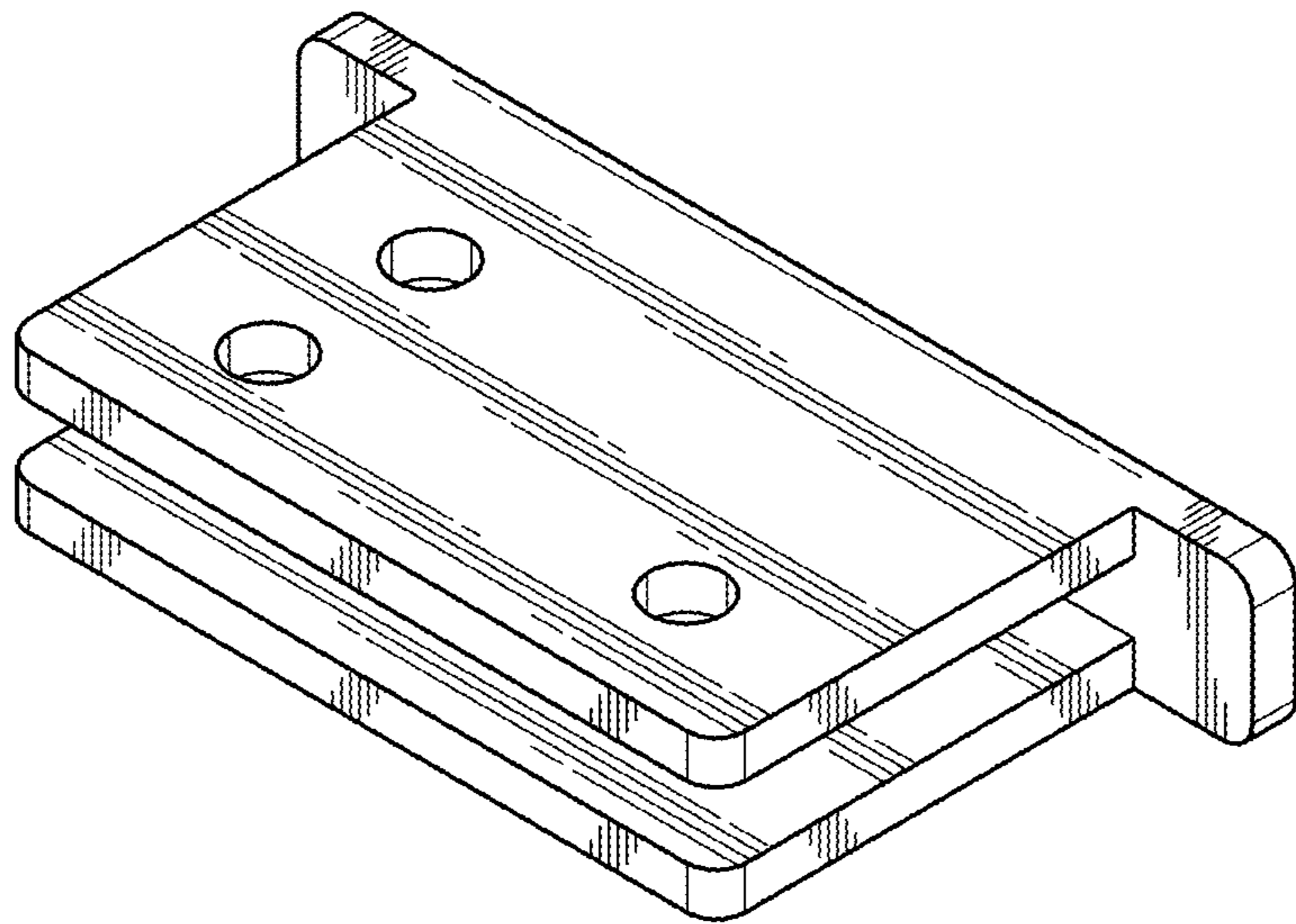


FIG. 15

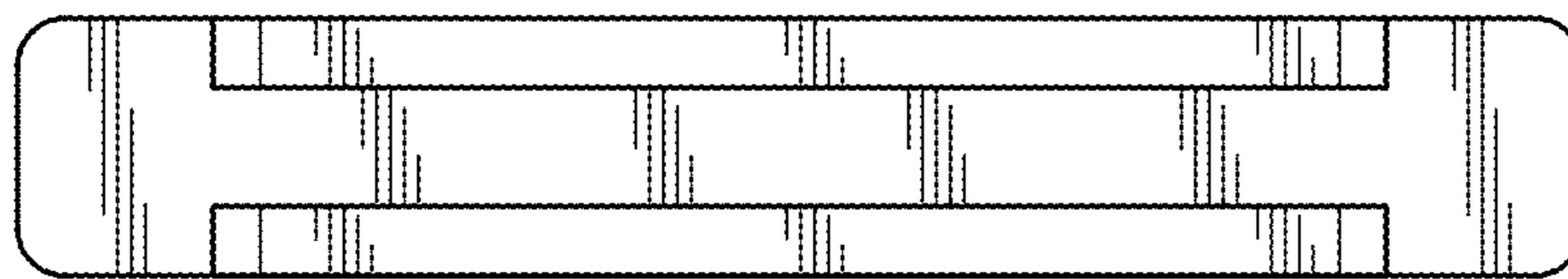


FIG. 16

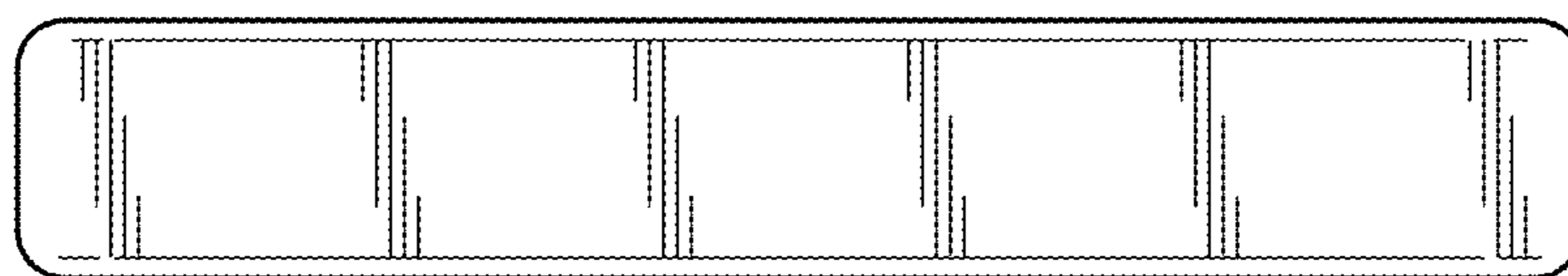


FIG. 17

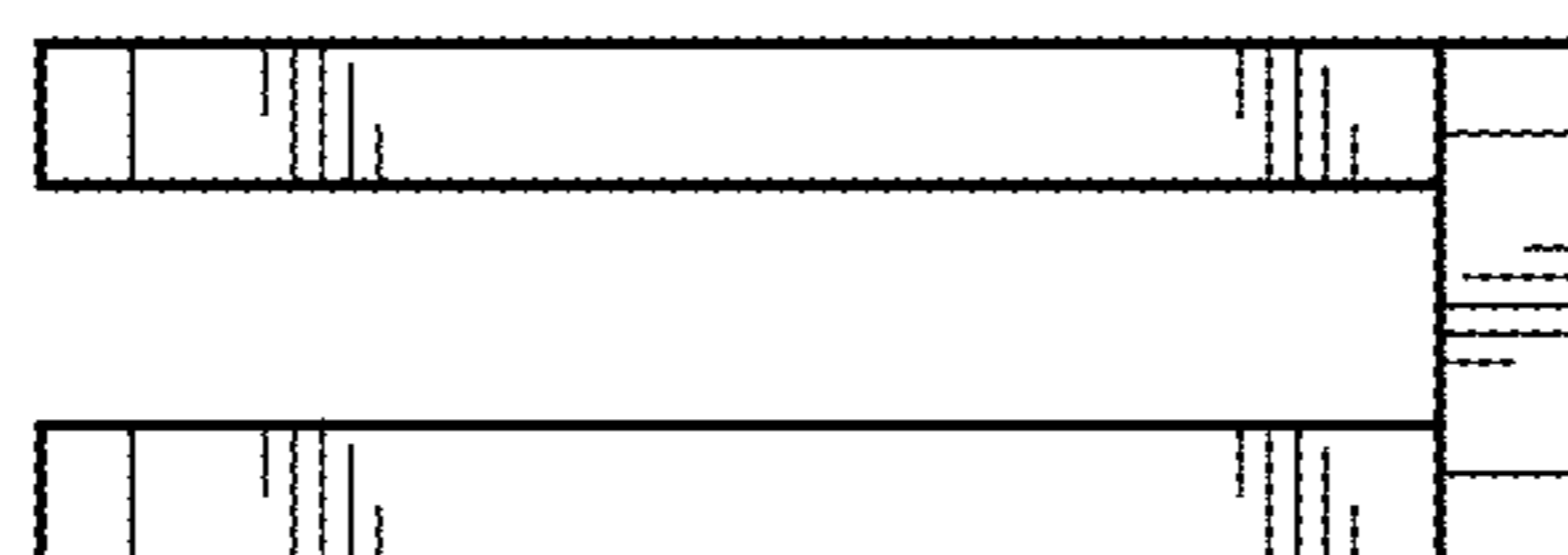


FIG. 18

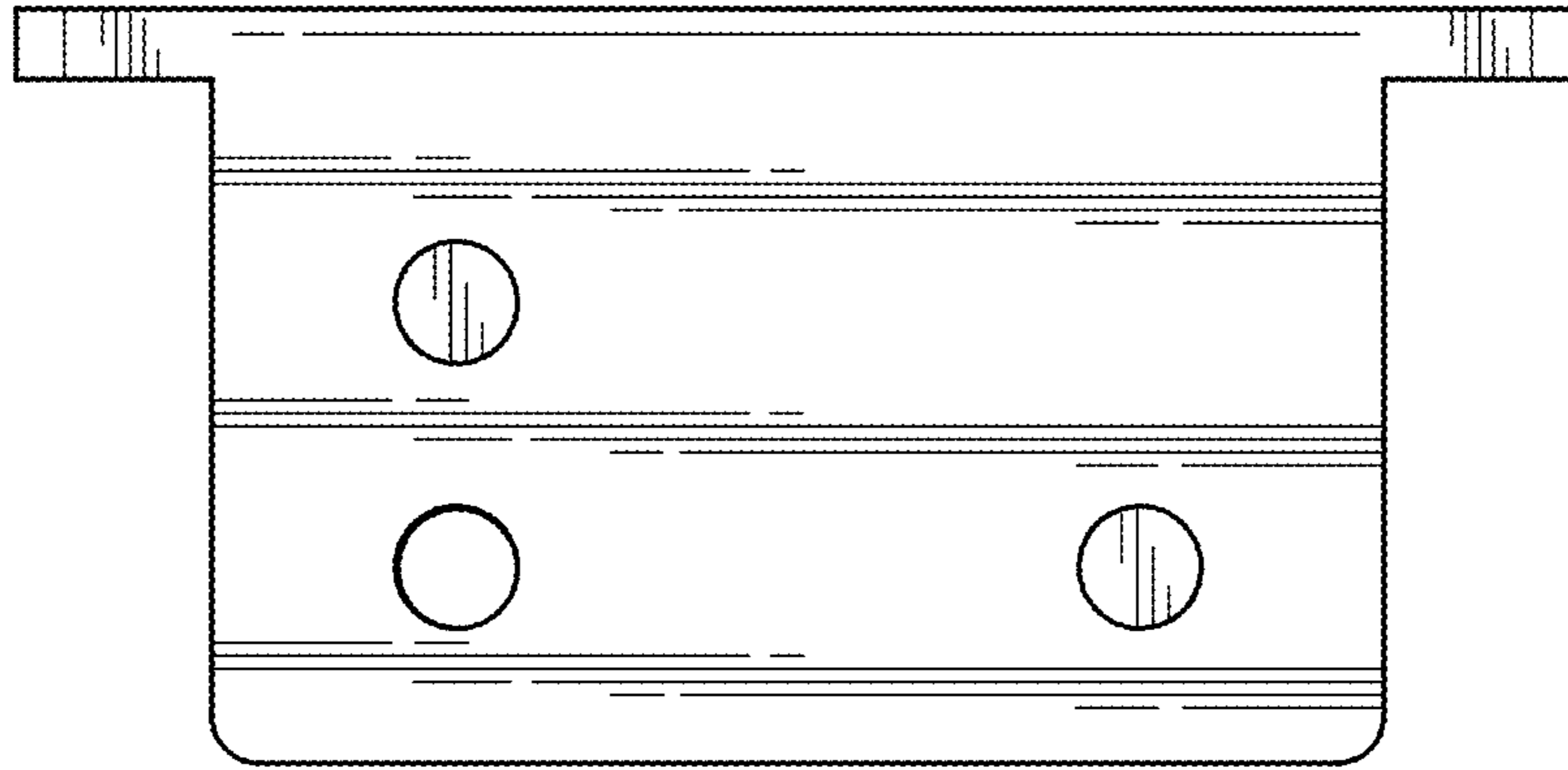


FIG. 19

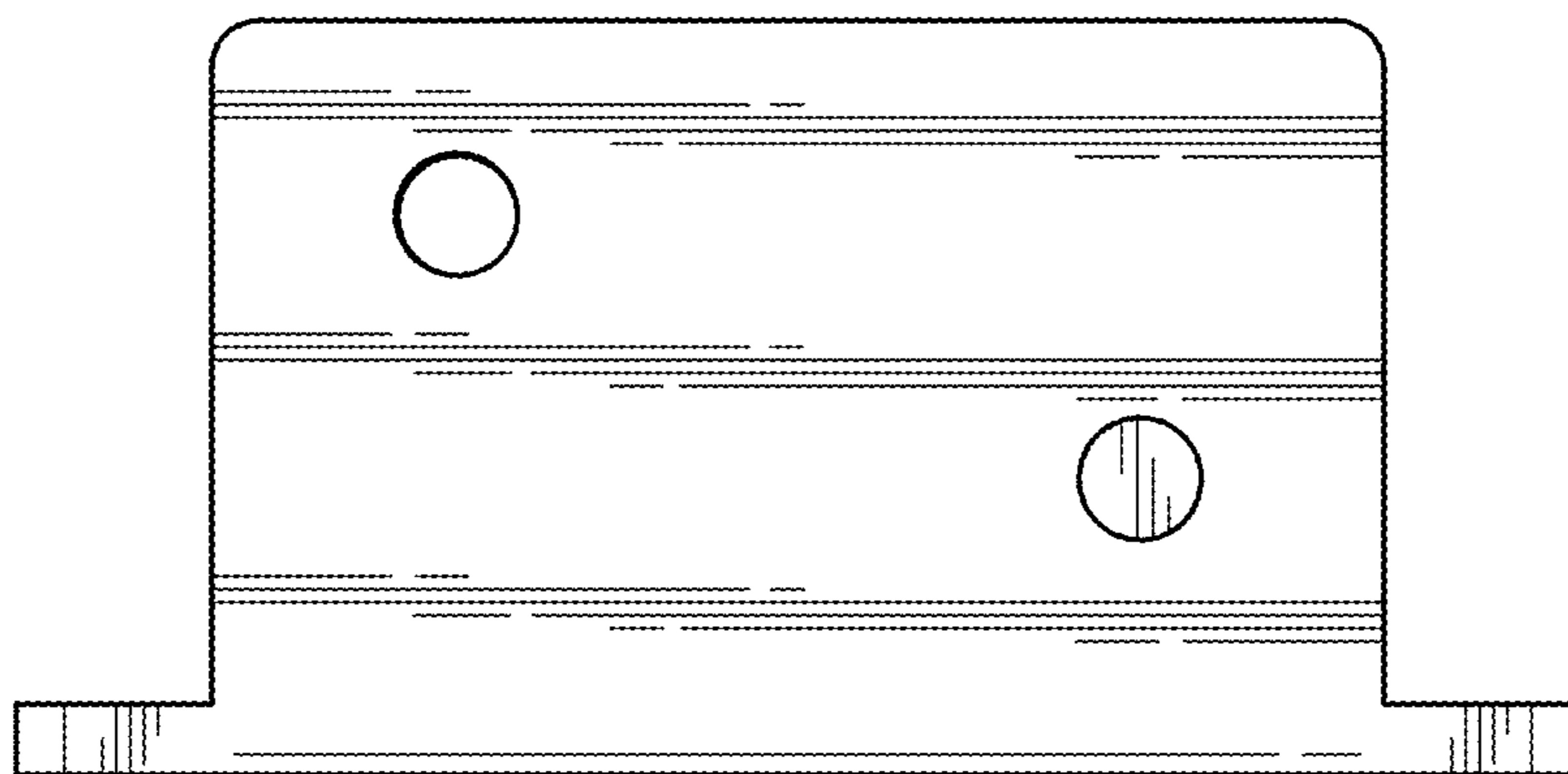


FIG. 20