



US00D804935S

(12) **United States Design Patent**
Son

(10) **Patent No.:** **US D804,935 S**

(45) **Date of Patent:** **** Dec. 12, 2017**

(54) **CABLE TRAY**

(71) Applicant: **THREES CO., LTD**, Uiryeong-gun,
Gyeongsangnam-do (KR)

(72) Inventor: **Dongsik Son**, Busan (KR)

(73) Assignee: **THREES CO., LTD**, Uiryeong-Gun
(KR)

(**) Term: **15 Years**

(21) Appl. No.: **29/545,229**

(22) Filed: **Nov. 11, 2015**

(30) **Foreign Application Priority Data**

May 11, 2015 (KR) 30-2015-0023850

(51) **LOC (10) Cl.** **09-06**

(52) **U.S. Cl.**
USPC **D8/356**

(58) **Field of Classification Search**
USPC D24/128, 127, 108, 107; 604/180;
D8/356, 354, 349; D13/155; D25/33;
248/74.3

CPC .. A61M 29/00; A61M 25/02; A61M 25/0133;
A61M 2025/024; A61M 2025/0266;
A61M 5/00; A61M 2039/087; F16G 1/00;
F16G 11/00; H02G 3/00; H02G 3/03;
H02G 3/04; H02G 3/0437; H02G 3/0608;
A43C 3/00; B63B 21/04; F16L 3/1058

See application file for complete search history.

(56) **References Cited**

U.S. PATENT DOCUMENTS

3,042,351 A * 7/1962 Du Bois H02G 3/0437
248/49
3,521,543 A * 7/1970 Singer G03B 17/14
396/502

D292,974 S * 12/1987 Kenning D13/155
5,639,048 A * 6/1997 Bartholomew F16L 3/26
248/49
6,340,141 B1 * 1/2002 Rinderer H02G 3/0456
211/26
D587,562 S * 3/2009 Fernandez D8/381
8,141,826 B1 * 3/2012 Gallardo F16L 3/1091
24/16 R
D668,945 S * 10/2012 Fernandez D8/377
8,434,629 B2 * 5/2013 Fernandez A47B 57/42
211/103
9,024,188 B2 * 5/2015 Lacey, Jr. H02G 3/0437
174/68.3
9,054,506 B2 * 6/2015 Krietzman H02G 3/0475
9,209,609 B2 * 12/2015 Kellerman H02G 3/0608
D777,114 S * 1/2017 Winn D13/155
2014/0252178 A1 * 9/2014 Myers F16B 2/12
248/74.1

(Continued)

Primary Examiner — Cynthia Underwood

(74) *Attorney, Agent, or Firm* — Loza & Loza, LLP;
Heidi L. Eisenhut

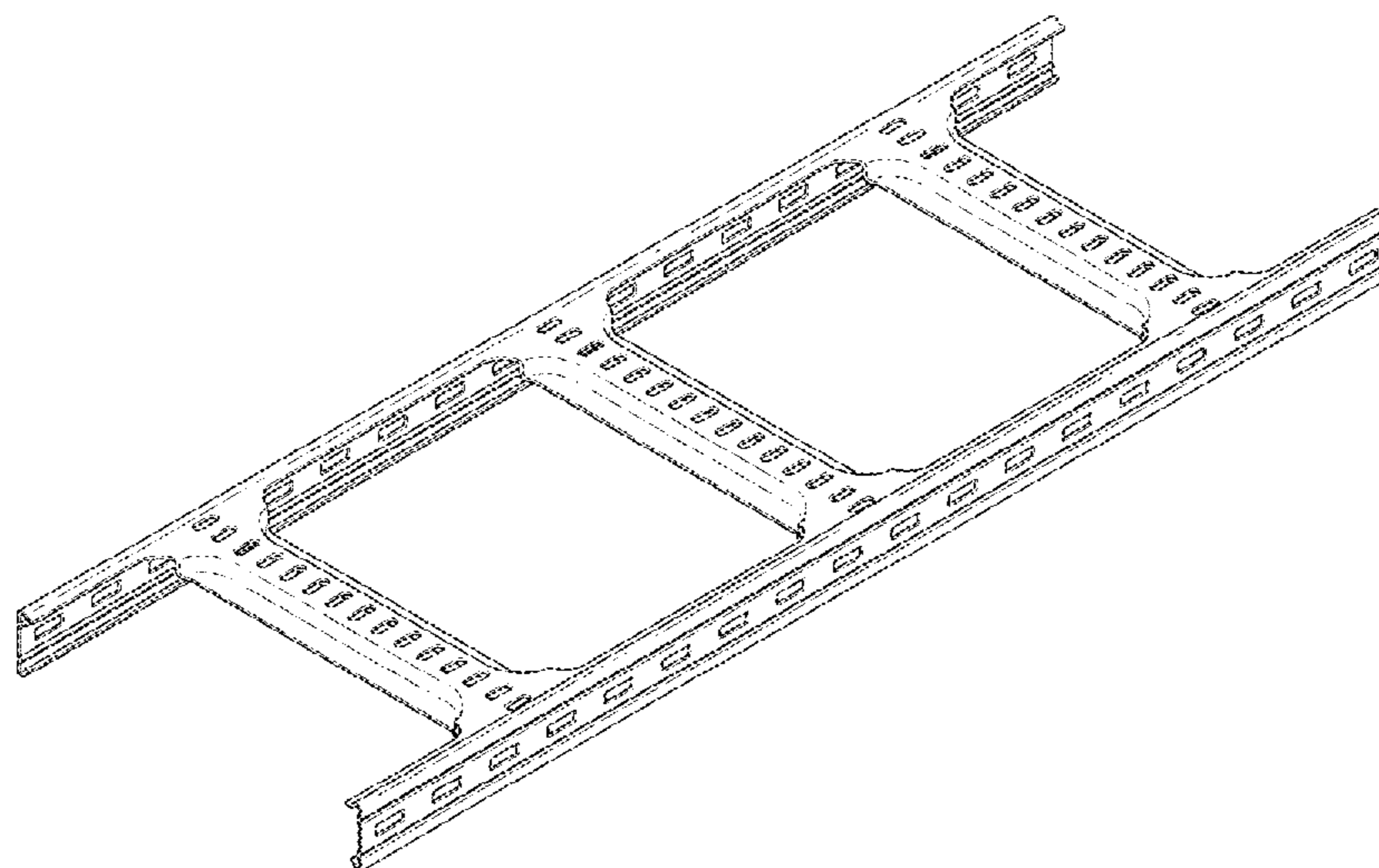
(57) **CLAIM**

The ornamental design for a cable tray, as shown and described.

DESCRIPTION

FIG. 1 is a front, right side, perspective view of a cable tray showing my new design;
FIG. 2 is a front view of the cable tray of FIG. 1;
FIG. 3 is a rear view of the cable tray FIG. 1;
FIG. 4 is a left side view of the cable tray of FIG. 1;
FIG. 5 is a right side view of the cable tray of FIG. 1;
FIG. 6 is a top view of the cable tray of FIG. 1;
FIG. 7 is a bottom view of the cable tray of FIG. 1; and,
FIG. 8 is a front, right side, perspective view of the cable tray shown in an environment of use, the broken lines forming no part of the claim.

1 Claim, 5 Drawing Sheets



(56)

References Cited

U.S. PATENT DOCUMENTS

2016/0006227 A1* 1/2016 Tally H02G 3/0608
248/49

* cited by examiner

FIG. 1

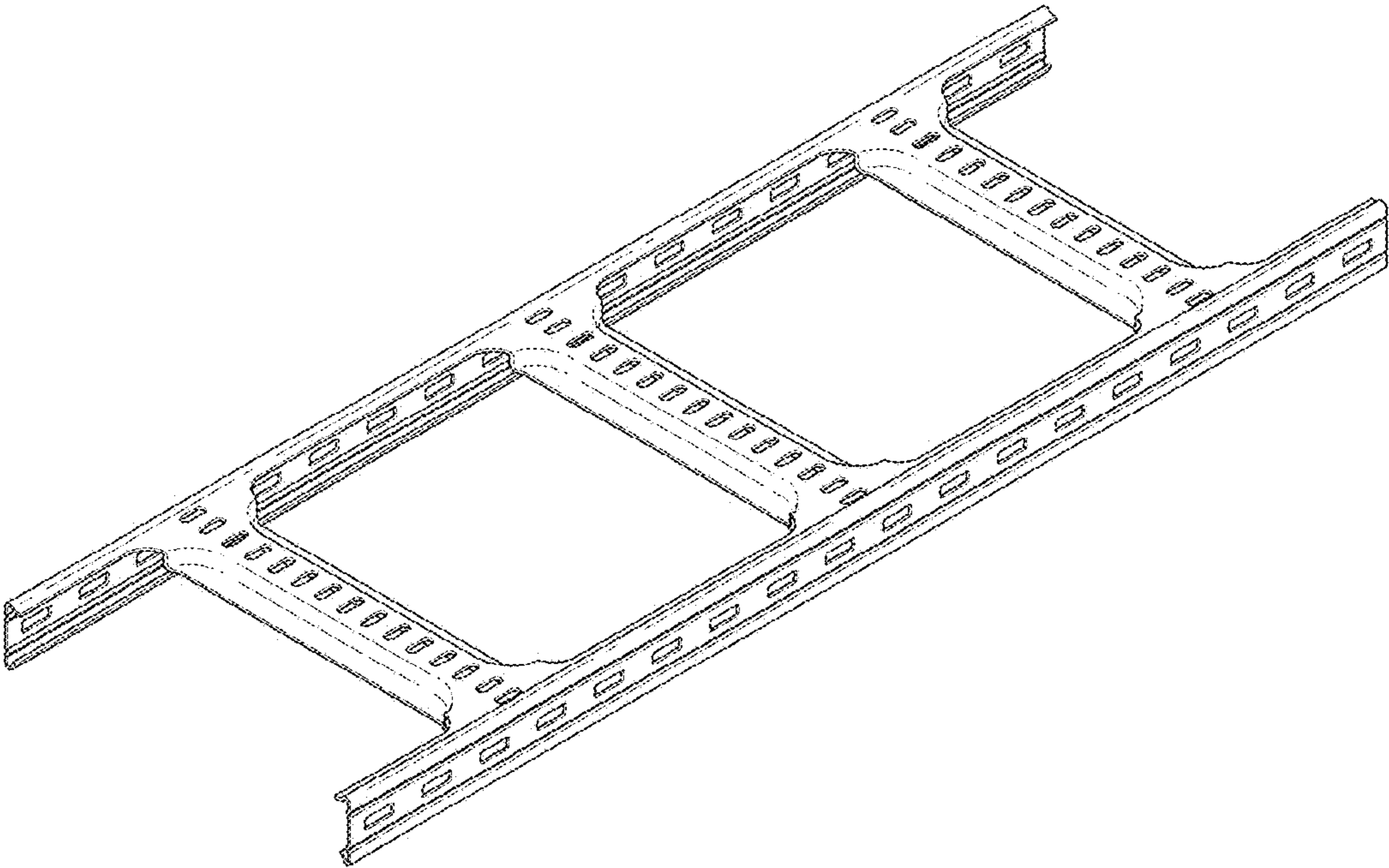


FIG. 2

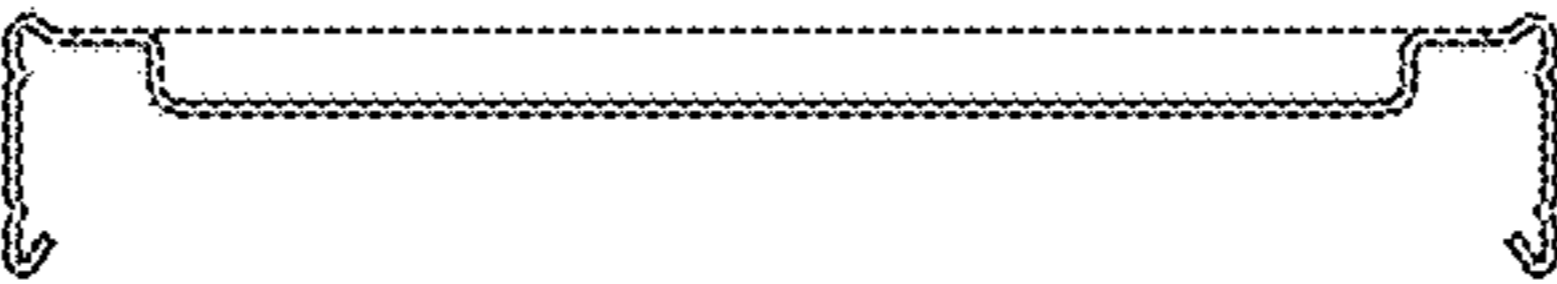


FIG. 3

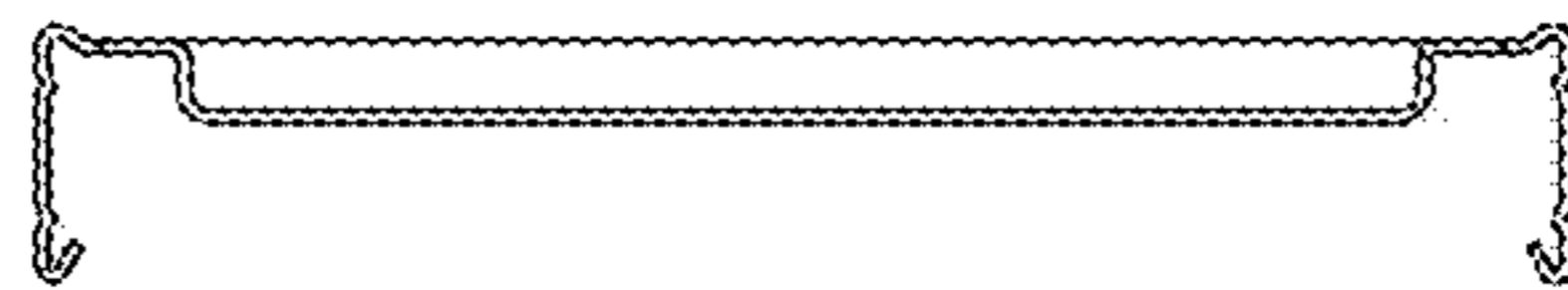


FIG. 4



FIG. 5

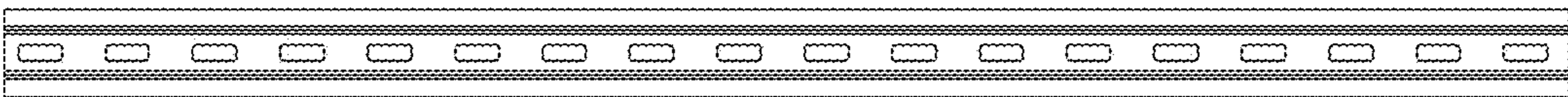


FIG. 6

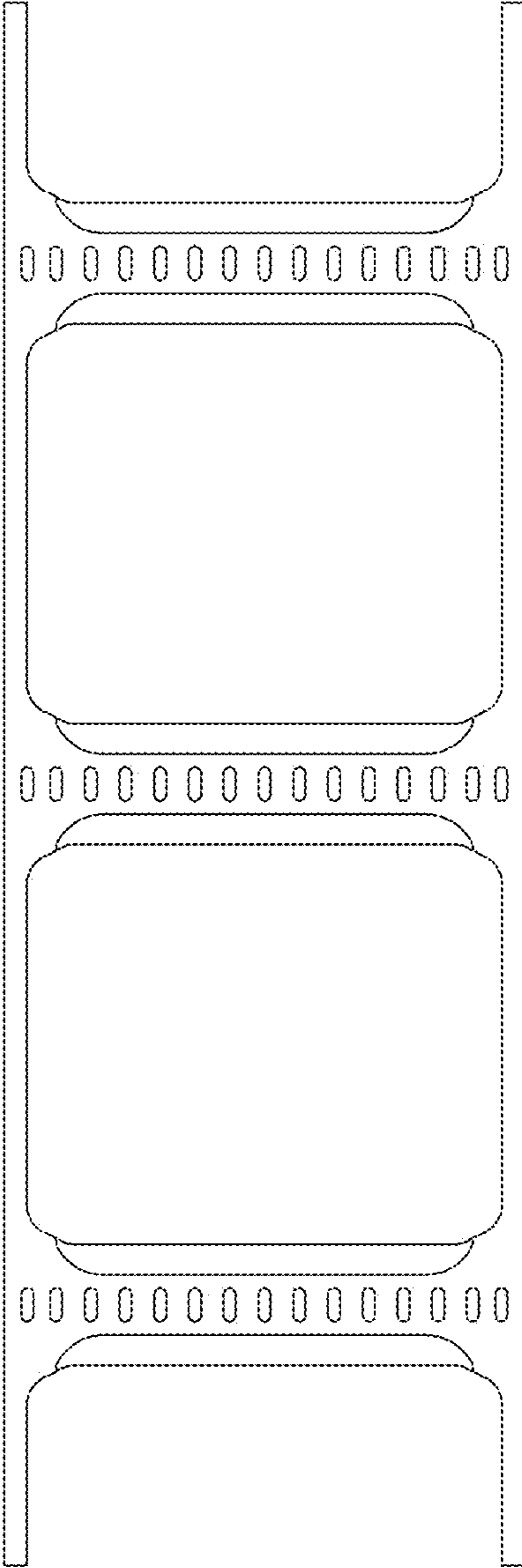


FIG. 7

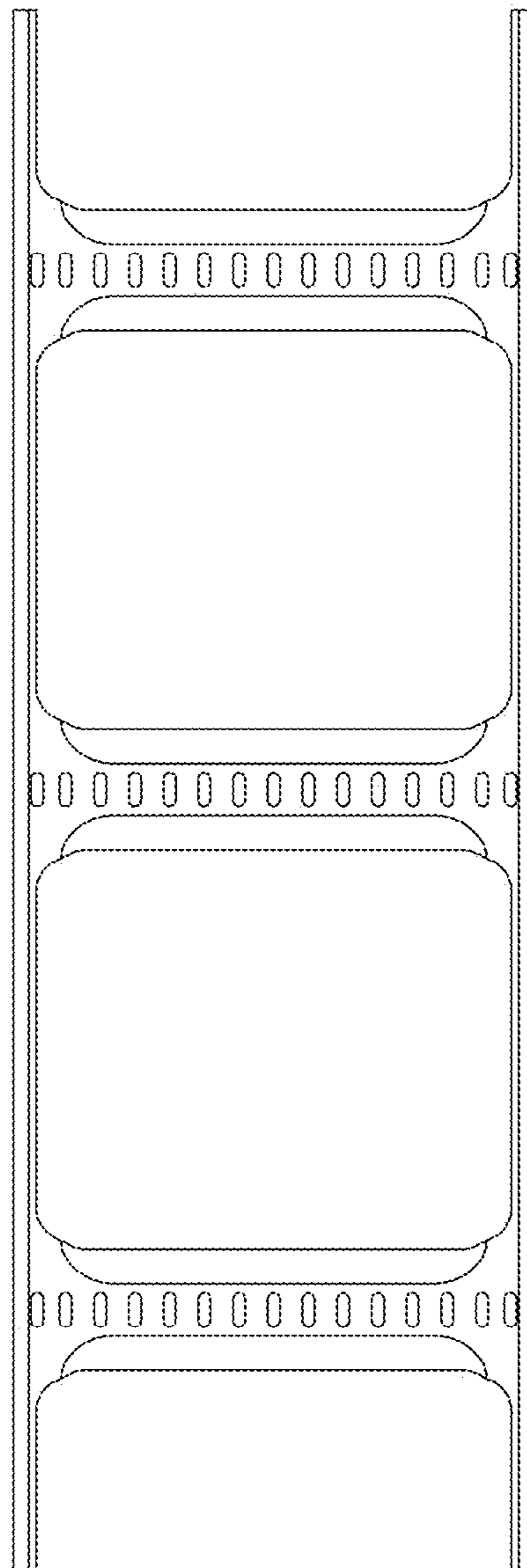


FIG. 8

