



US00D804930S

(12) **United States Design Patent**
Heitz

(10) **Patent No.:** **US D804,930 S**

(45) **Date of Patent:** **** Dec. 12, 2017**

(54) **DOOR CLOSURE WITH SLIDING RAIL**

(71) Applicant: **DORMA Deutschland GmbH**,
Ennepetal (DE)

(72) Inventor: **Bernhard Heitz**, Ennepetal (DE)

(73) Assignee: **DORMAKABA DEUTSCHLAND**
GMBH, Ennepetal (DE)

(**) Term: **15 Years**

(21) Appl. No.: **29/558,956**

(22) Filed: **Mar. 23, 2016**

(30) **Foreign Application Priority Data**

Sep. 23, 2015 (EM) 002778118-0001

(51) **LOC (10) Cl.** **08-07**

(52) **U.S. Cl.**
USPC **D8/330**

(58) **Field of Classification Search**

USPC D8/330, 331, 336, 338, 339, 340, 343;
70/14, 2, 51, 57, 57.1, 91, 107, 141,
70/276-283, 175, 582, 387, 413, 229,
70/231, 92; 292/2, 32, 137, 288, 289,
292/290, 292, 251.5, 92, 144, 177,
292/DIG. 61; 16/49, 54, 66, 68, 64, 65,
16/50, 71-79, 7

CPC E05C 17/56; E05C 17/32; E05C 17/00;
E05C 15/00; H01H 47/00; G08B 13/08;
E05F 3/00; E05F 3/10; E05F 3/22

See application file for complete search history.

(56) **References Cited**

U.S. PATENT DOCUMENTS

3,663,047 A * 5/1972 Zawadzki E05B 65/1053
292/21
3,905,063 A * 9/1975 Coulter A62C 2/12
16/48.5

4,086,681 A * 5/1978 Nakanishi E05F 3/00
16/49
4,763,384 A * 8/1988 Watabe E05F 3/104
16/53
5,313,739 A * 5/1994 Nelson E05F 1/16
16/72
5,412,961 A * 5/1995 Cain E05B 63/0065
292/92
D429,992 S * 8/2000 Ginzel D8/330
6,205,825 B1 * 3/2001 Haeck E05B 17/06
292/DIG. 53
6,421,876 B1 * 7/2002 Ginzel E05F 3/00
16/59
D491,787 S * 6/2004 Homberg D8/330
D604,585 S * 11/2009 Veltz D8/302
D647,780 S * 11/2011 Kaluza D8/330
D658,034 S * 4/2012 Kaluza D8/330

* cited by examiner

Primary Examiner — Prabhakar G Deshmukh

(74) *Attorney, Agent, or Firm* — Cantor Colburn LLP

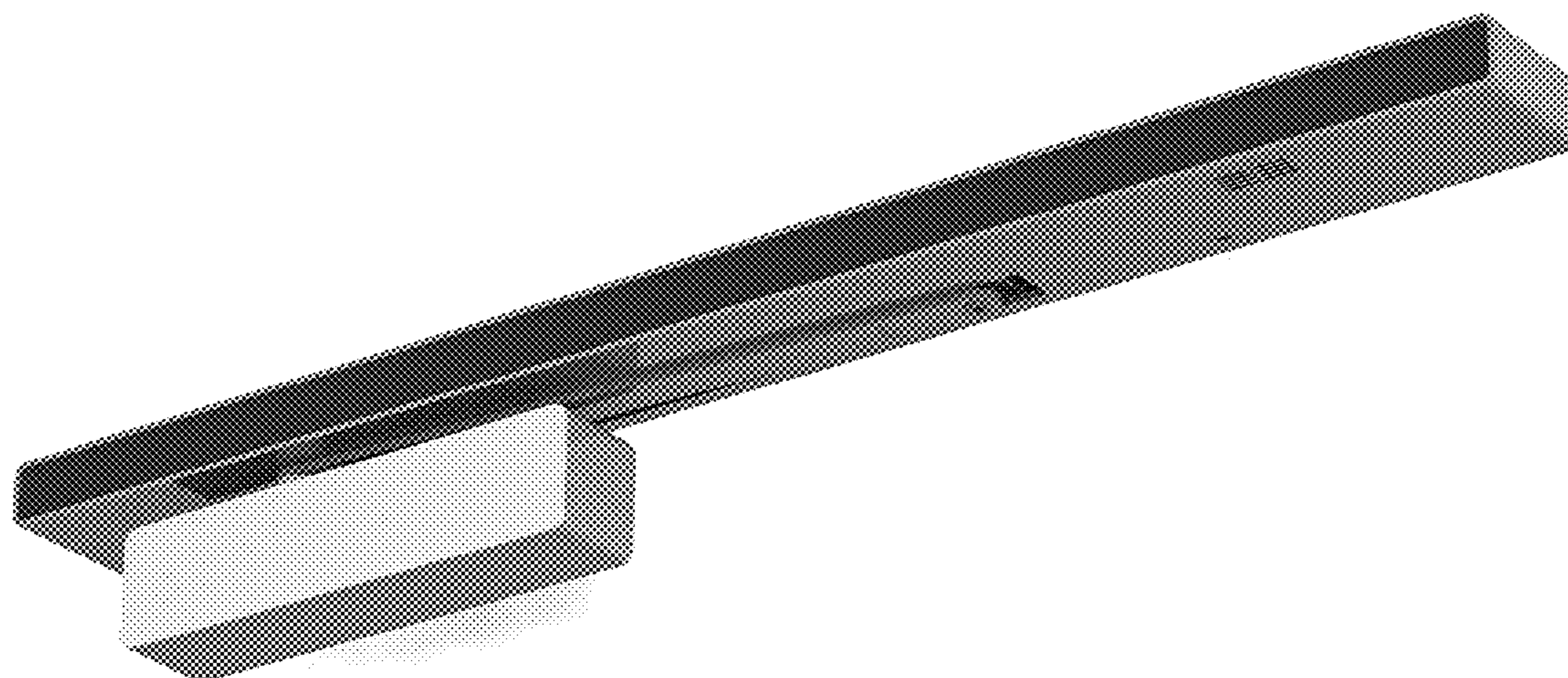
(57) **CLAIM**

I claim, the ornamental design for a door closure with sliding rail, as shown and described.

DESCRIPTION

FIG. 1 is a bottom, perspective view of a door closure with sliding rail, showing my new design;
FIG. 2 is a bottom, perspective view of another embodiment thereof;
FIG. 3 is a bottom, perspective view of another embodiment thereof;
FIG. 4 is a bottom, perspective view of another embodiment thereof; and,
FIG. 5 is a bottom, perspective view of another embodiment thereof.

1 Claim, 5 Drawing Sheets



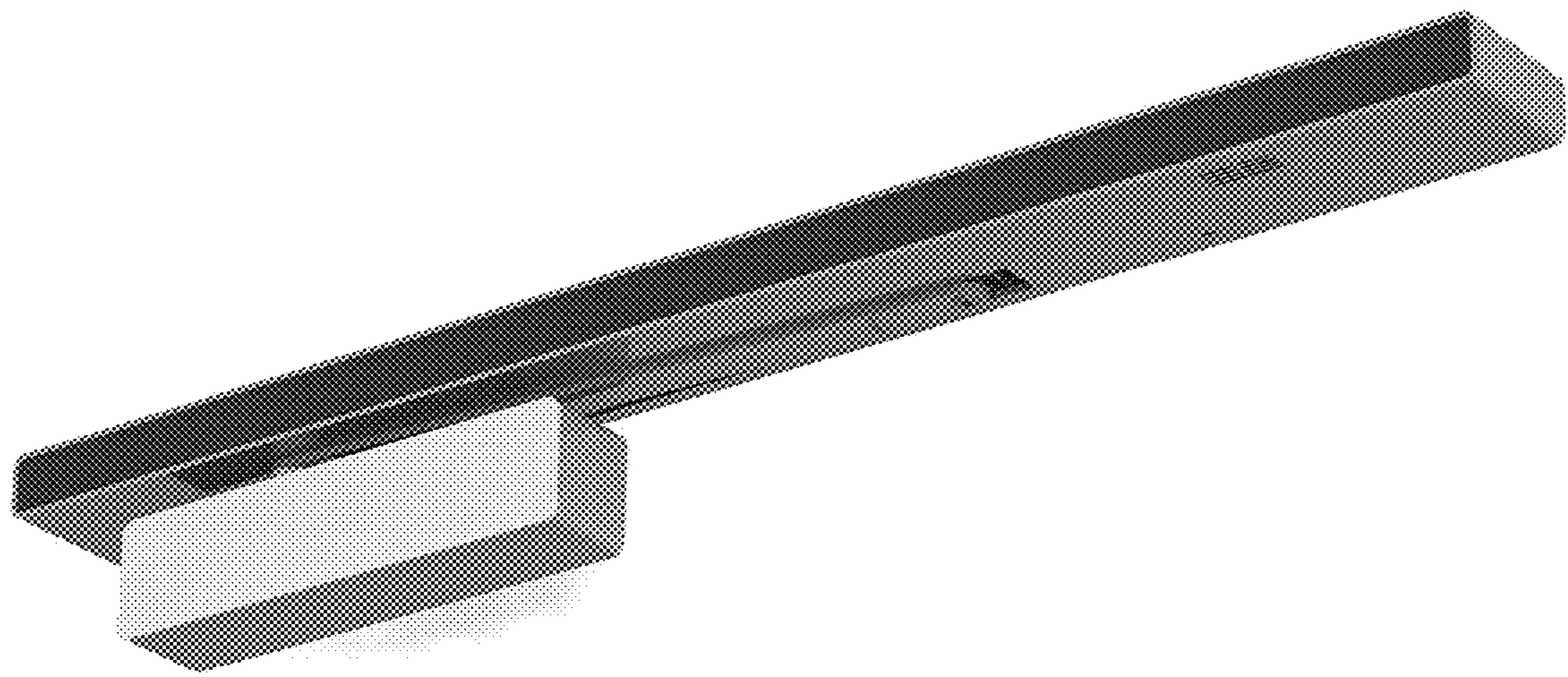


FIG. 1

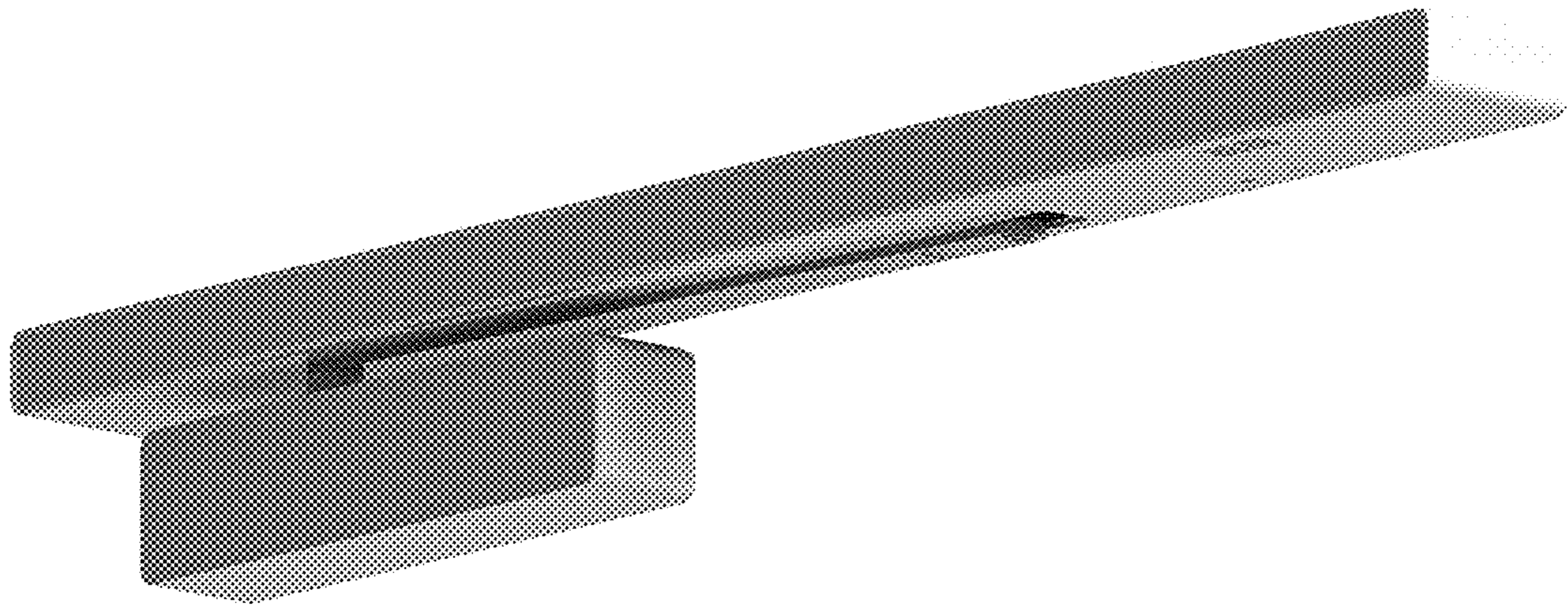


FIG. 2

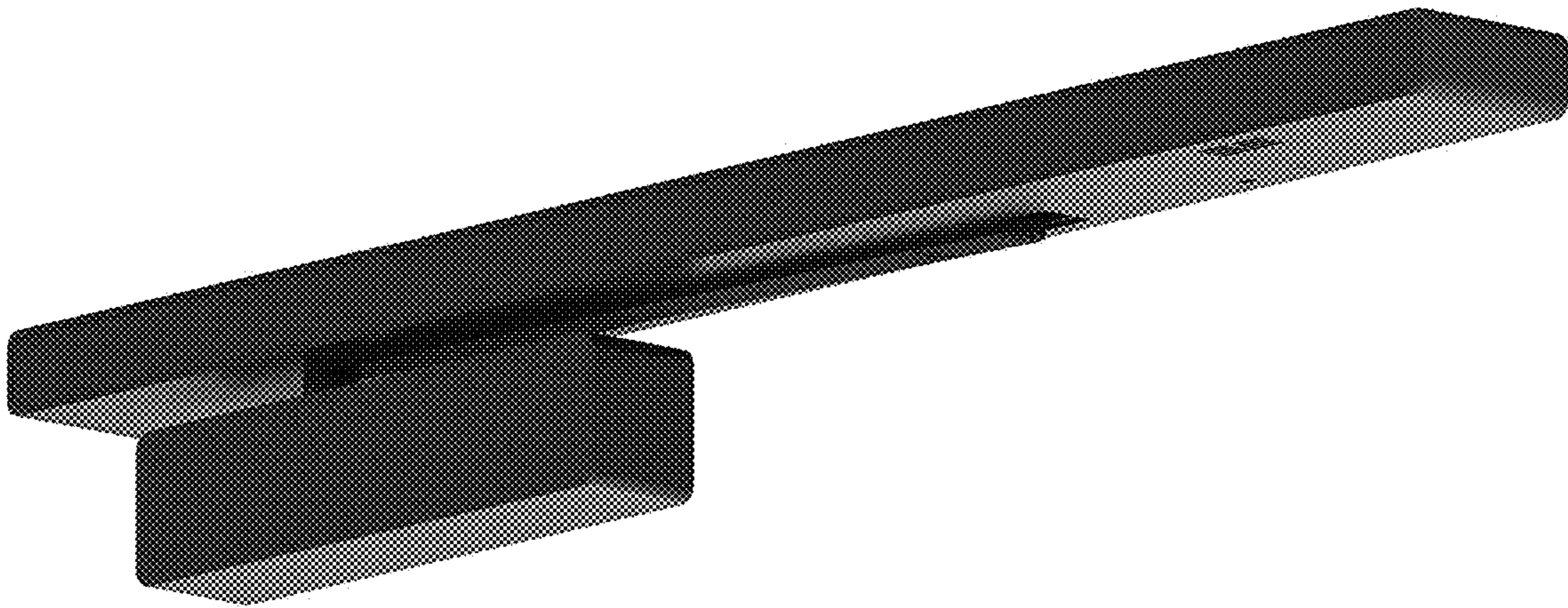


FIG. 3

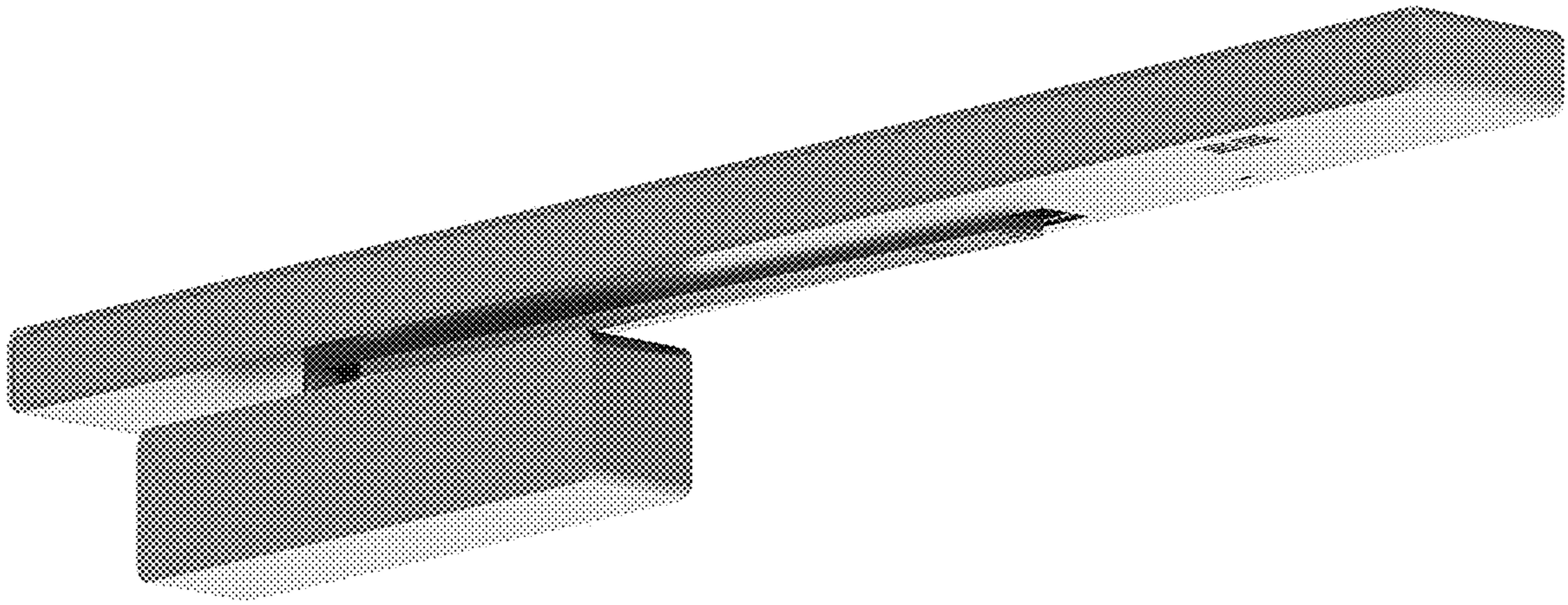


FIG. 4

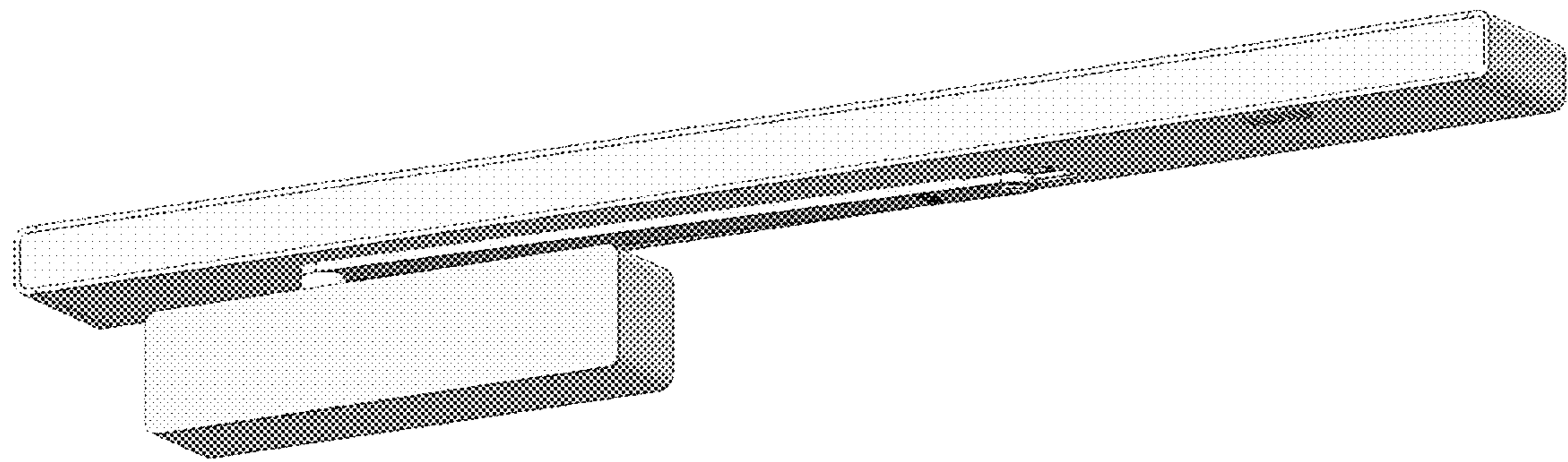


FIG. 5