



US00D804929S

(12) **United States Design Patent** (10) **Patent No.:** **US D804,929 S**  
**Hung** (45) **Date of Patent:** **\*\* Dec. 12, 2017**

(54) **HINGE ELEMENT FOR ROOF ANCHOR** 8,646,575 B1 \* 2/2014 Guthrie ..... A62B 35/0068  
182/3  
(71) Applicant: **YOKE INDUSTRIAL CORP.,** D720,604 S \* 1/2015 McGrath ..... D8/354  
Taichung (TW) D742,720 S \* 11/2015 Perry ..... D8/349  
2004/0103763 A1 \* 6/2004 Shyu ..... B25B 13/461  
81/63.1  
(72) Inventor: **Wei-Chieh Hung,** Taichung (TW) 2007/0236112 A1 \* 10/2007 Williman ..... A47F 3/12  
312/140.4  
(73) Assignee: **YOKE INDUSTRIAL CORP.,** 2011/0155505 A1 \* 6/2011 Liang ..... A62B 35/0081  
Taichung (TW) 182/3

(\*\*) Term: **15 Years**

(21) Appl. No.: **29/585,967**

(22) Filed: **Nov. 30, 2016**

(51) **LOC (10) Cl.** ..... **08-06**

(52) **U.S. Cl.**  
USPC ..... **D8/323; D25/199**

(58) **Field of Classification Search**  
USPC .... D8/14, 71, 349, 354, 373, 382, 388, 391,  
D8/392, 499, 323; D25/66, 68, 199;  
D6/328, 702, 716, 716.1, 553, 567, 572  
CPC . E04G 21/32; E04G 21/3261; E04G 21/3276;  
A62B 1/00; A62B 1/04; A62B 35/0068;  
A62B 35/0025; A62B 35/0031; A62B  
35/005; A62B 35/0056  
See application file for complete search history.

(56) **References Cited**

**U.S. PATENT DOCUMENTS**

D252,365 S \* 7/1979 Durham, III ..... D8/382  
5,248,021 A \* 9/1993 Nichols ..... A62B 35/04  
182/3  
5,553,685 A \* 9/1996 Cook ..... A62B 35/0068  
182/3  
5,730,407 A \* 3/1998 Ostrobrod ..... A62B 35/0043  
182/231  
D580,730 S \* 11/2008 Gao ..... D8/107  
D646,553 S \* 10/2011 Peng ..... D8/349  
D699,546 S \* 2/2014 McGrath ..... D8/354

\* cited by examiner

*Primary Examiner* — Sandra Snapp  
*Assistant Examiner* — Ieisha Price  
(74) *Attorney, Agent, or Firm* — Lynette Wylie Apex  
Juris, pllc.

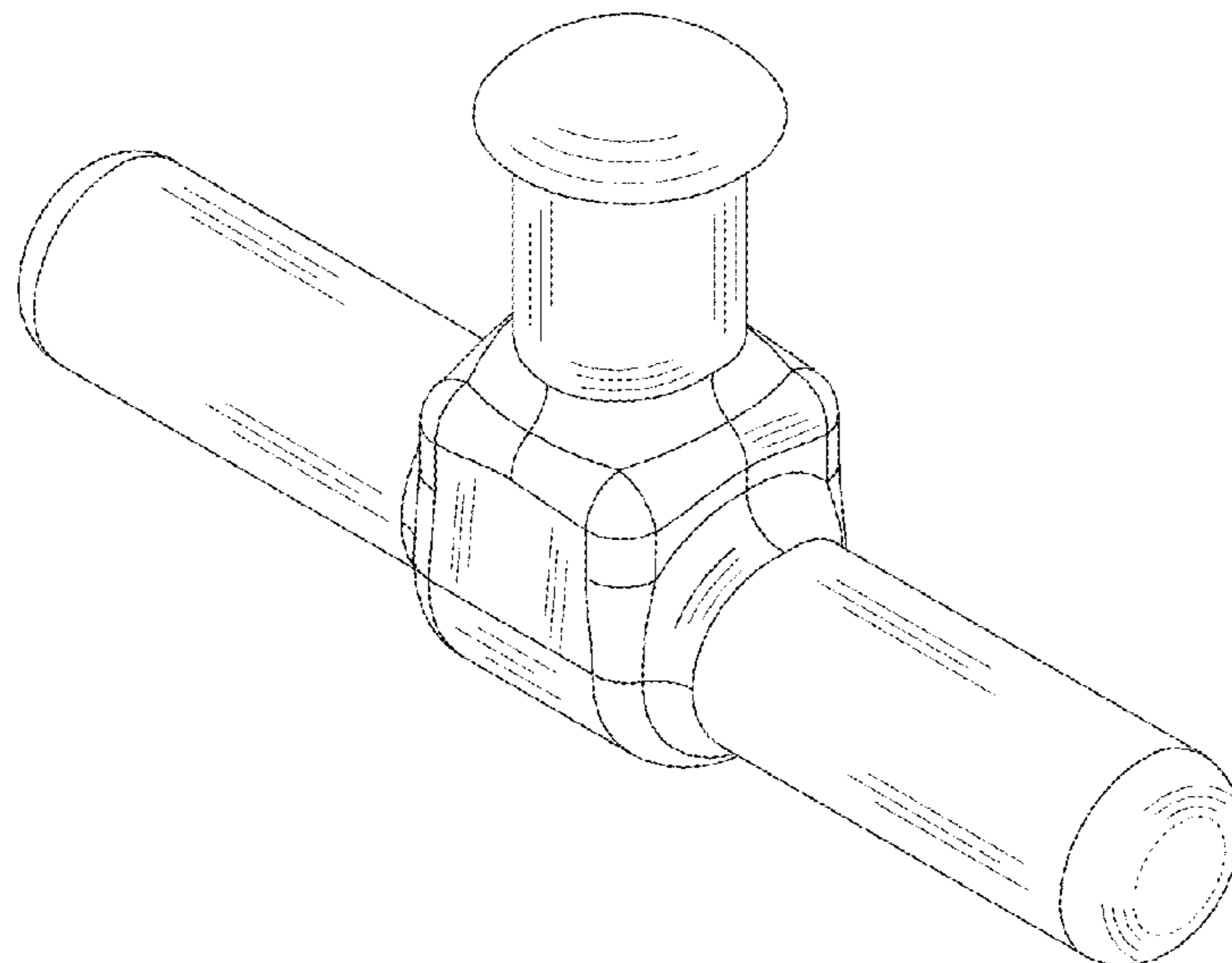
(57) **CLAIM**

The ornamental design for a hinge element for roof anchor,  
as shown and described.

**DESCRIPTION**

FIG. 1 is a perspective view of the hinge element for roof anchor;  
FIG. 2 is a front view thereof; the rear view is a mirror image;  
FIG. 3 is a left side view thereof; the right side view is a mirror image;  
FIG. 4 is a top view thereof;  
FIG. 5 is a bottom view thereof; and,  
FIG. 6 is an environmental perspective view of the hinge element for roof anchor.  
The broken lines in the drawings illustrate portions of the hinge element for roof anchor and form no part of the claimed design. The broken lines showing of the roof anchor in FIG. 6 illustrates the environment of the claimed design and forms no part thereof.

**1 Claim, 6 Drawing Sheets**



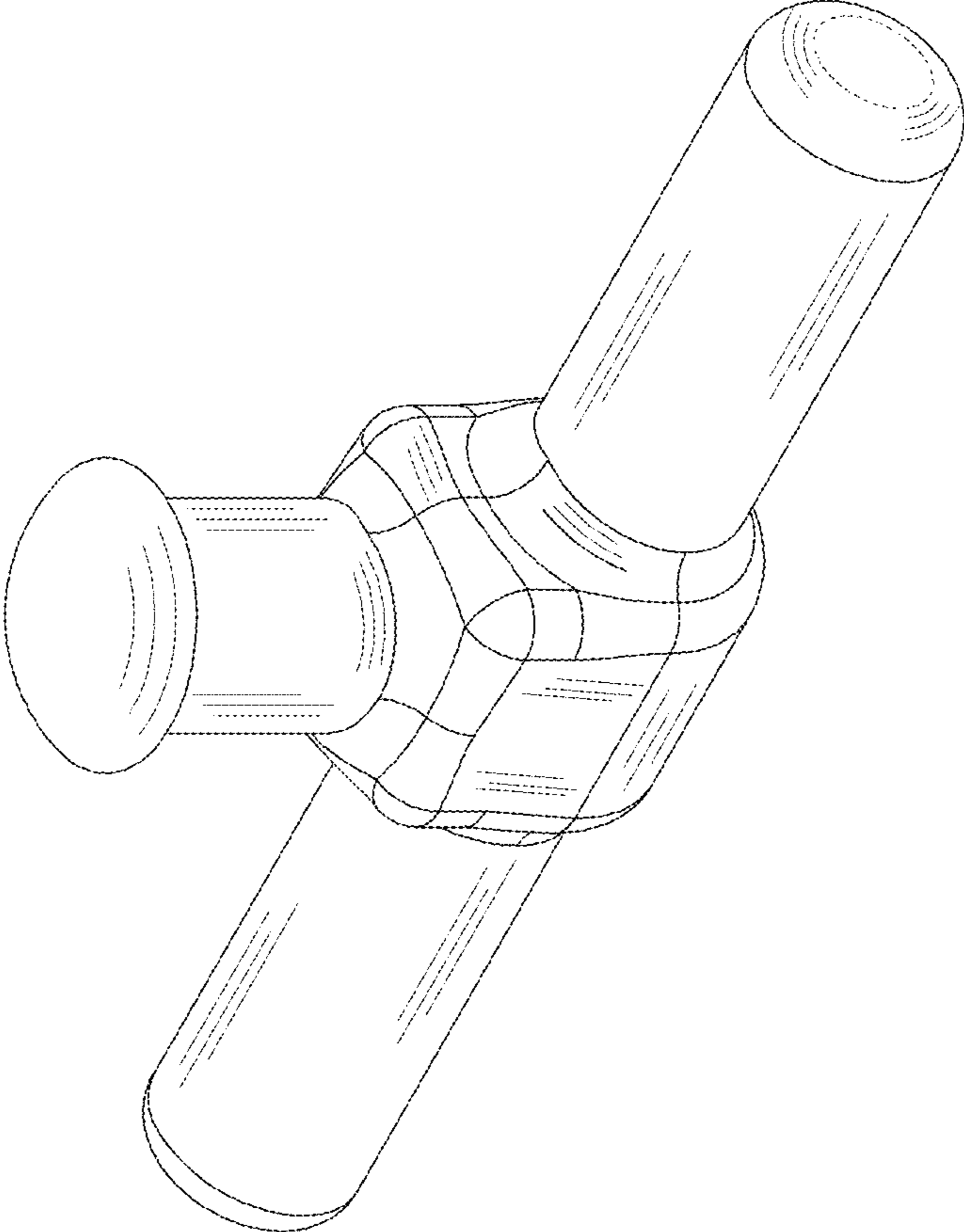


FIG. 1

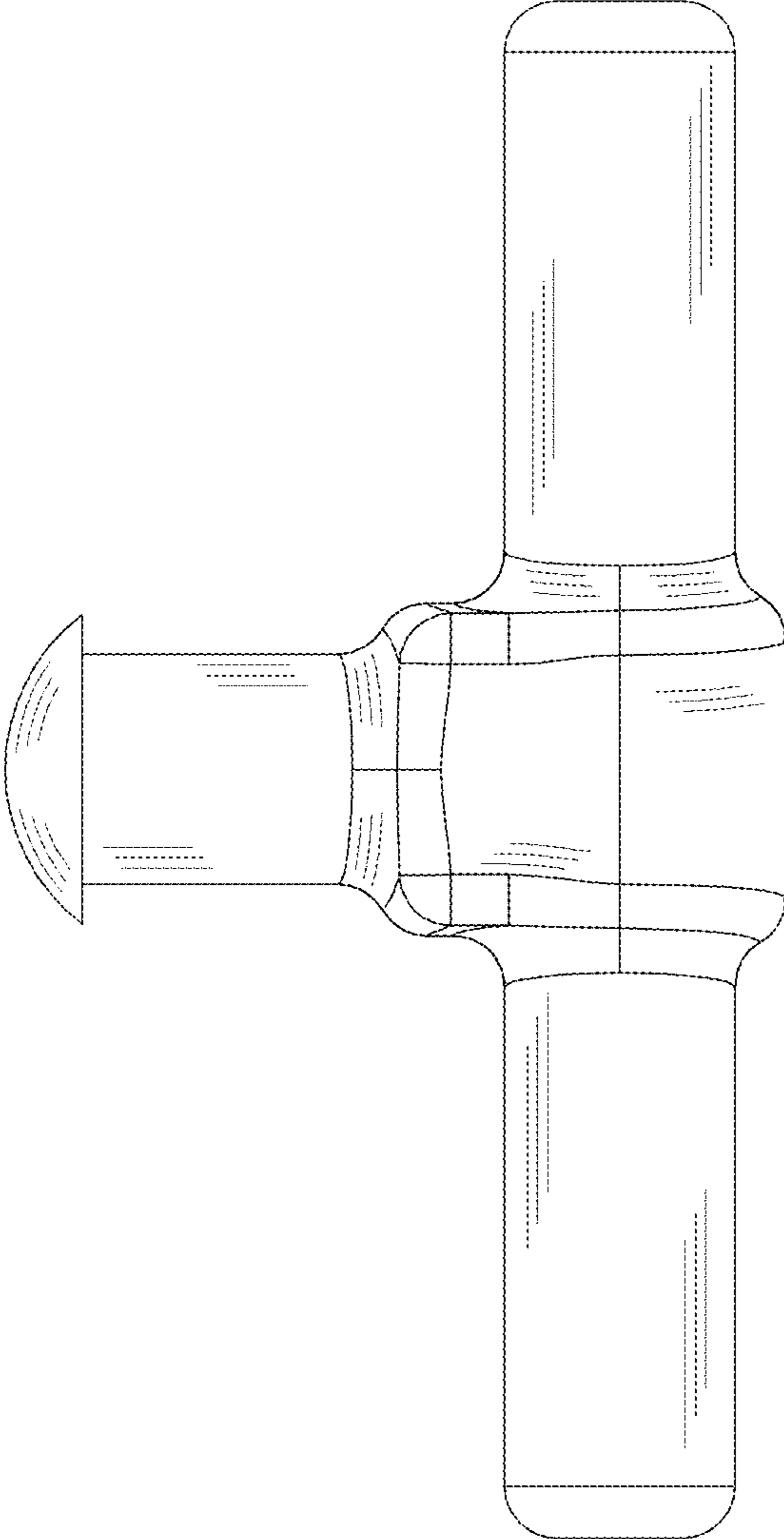


FIG. 2

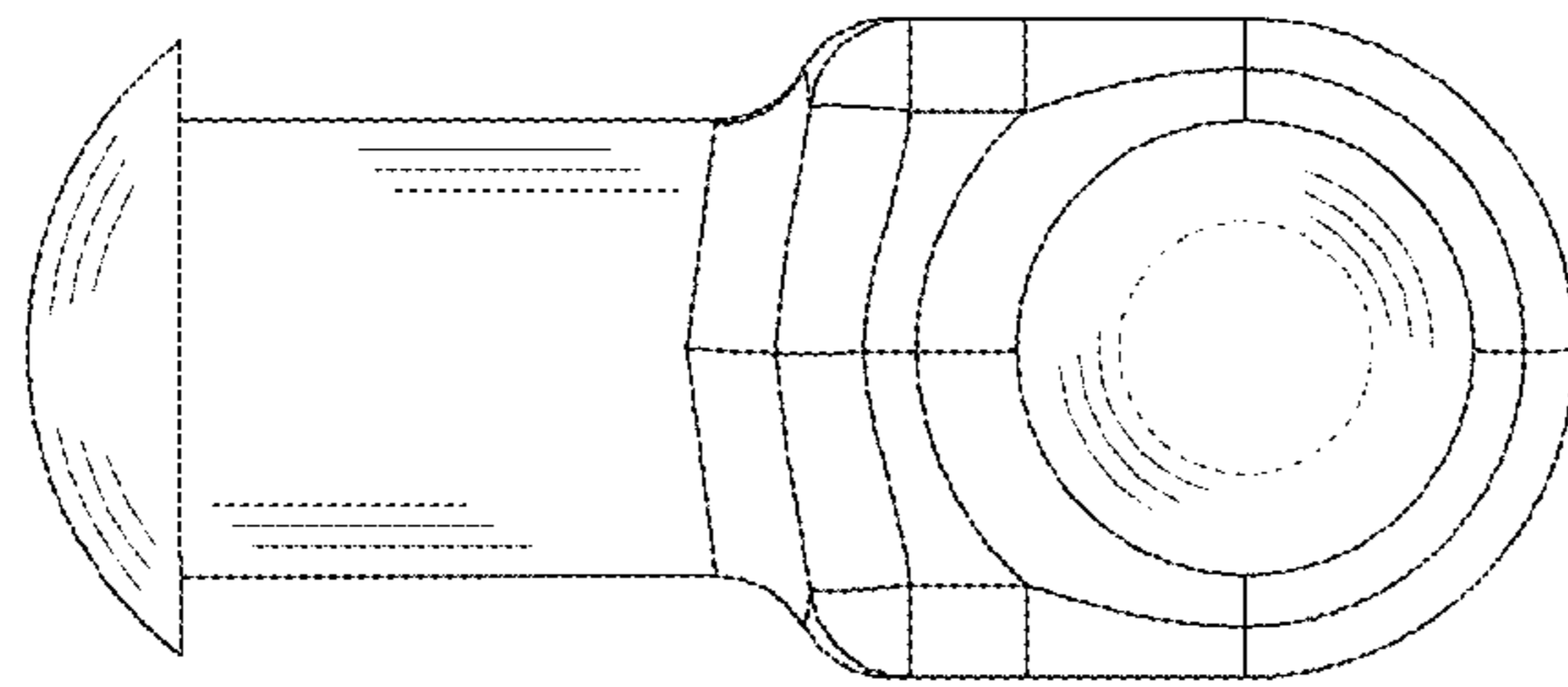


FIG. 3

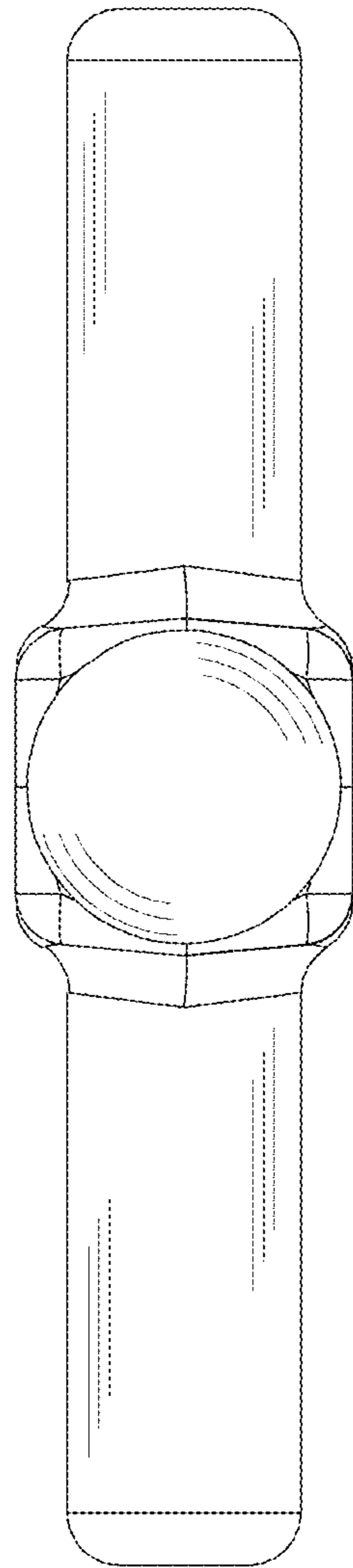


FIG. 4

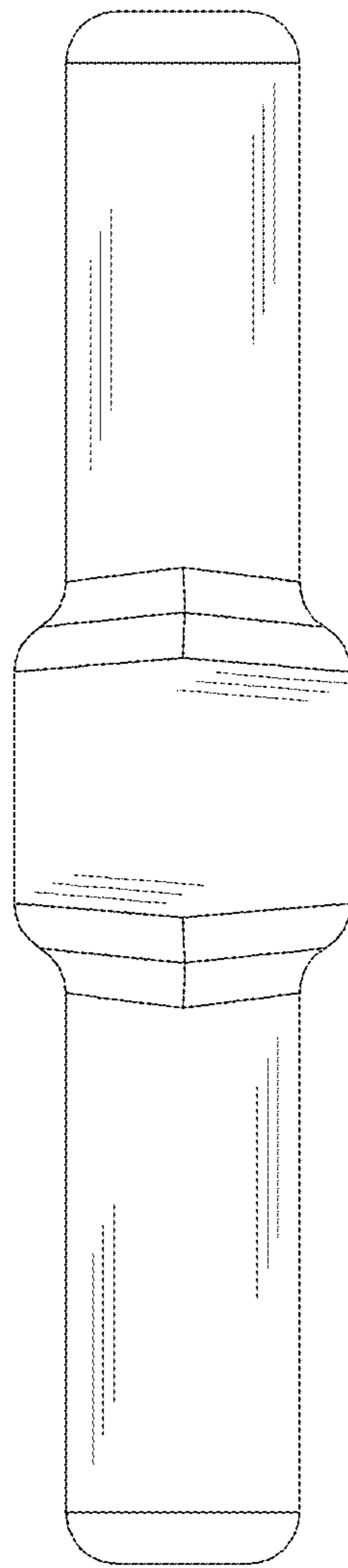


FIG. 5

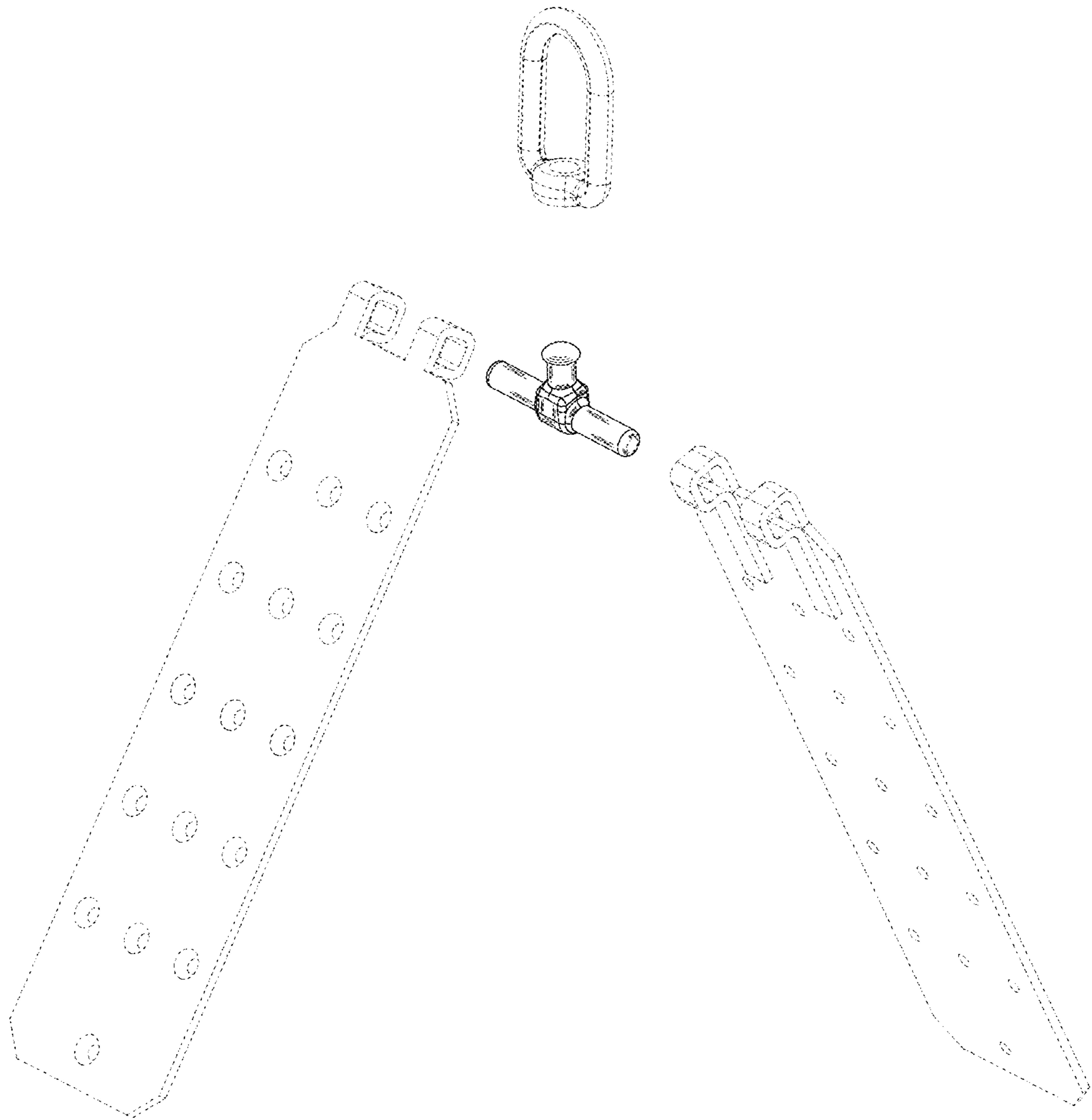


FIG. 6