



US00D804928S

(12) **United States Design Patent**
Wei

(10) **Patent No.:** **US D804,928 S**

(45) **Date of Patent:** **** Dec. 12, 2017**

- (54) **HINGE**
- (71) Applicant: **Ideal Sanitary Ware Co., Ltd.**,
Foshan, Guangdong (CN)
- (72) Inventor: **Wuxiang Wei**, Foshan (CN)
- (73) Assignee: **Ideal Sanitary Ware Co., Ltd.** (CN)
- (**) Term: **15 Years**
- (21) Appl. No.: **29/566,143**
- (22) Filed: **May 27, 2016**
- (51) **LOC (10) Cl.** **08-06**
- (52) **U.S. Cl.**
USPC **D8/323**
- (58) **Field of Classification Search**
USPC D8/323, 340, 343, 333, 325, 329, 336;
292/264; 16/387, 382, 281, 386, 211
CPC E05D 1/04; E05D 11/1014; E05B 73/007;
E05B 65/50; E05C 17/365; E05C 17/36;
E05C 17/025; B21D 53/40
See application file for complete search history.

(56) **References Cited**

U.S. PATENT DOCUMENTS

- 2,345,562 A * 4/1944 Atwood B21D 53/40
29/11
- 3,350,902 A * 11/1967 Chance E05B 65/50
70/74
- D303,625 S * 9/1989 Ryser D8/336
- 5,867,871 A * 2/1999 Tasman E05D 11/1014
16/335
- D439,826 S * 4/2001 Oddy D8/336
- D459,191 S * 6/2002 Loggen D8/323
- 6,560,821 B2 * 5/2003 Miller E05D 5/0246
16/252
- D534,053 S * 12/2006 Sozzi D8/329
- D621,683 S * 8/2010 Mullenix D8/323

- 8,938,858 B2 * 1/2015 Bailey E04D 13/08
16/382
- D747,949 S * 1/2016 Lindo D8/323
- D757,517 S * 5/2016 Tosin D8/323
- D758,163 S * 6/2016 Tosin D8/323
- D763,659 S * 8/2016 Tung D8/330
- D766,070 S * 9/2016 Ruoff D8/343
- D771,471 S * 11/2016 Ruoff D8/330
- 2011/0308041 A1 * 12/2011 Le E05D 3/022
16/248
- 2013/0192027 A1 * 8/2013 Cirilli E05C 17/025
16/353
- 2017/0138101 A1 * 5/2017 Kim E05D 1/04

* cited by examiner

Primary Examiner — Cynthia Underwood

(74) *Attorney, Agent, or Firm* — Lerner, David,
Littenberg, Krumholz & Mentlik, LLP

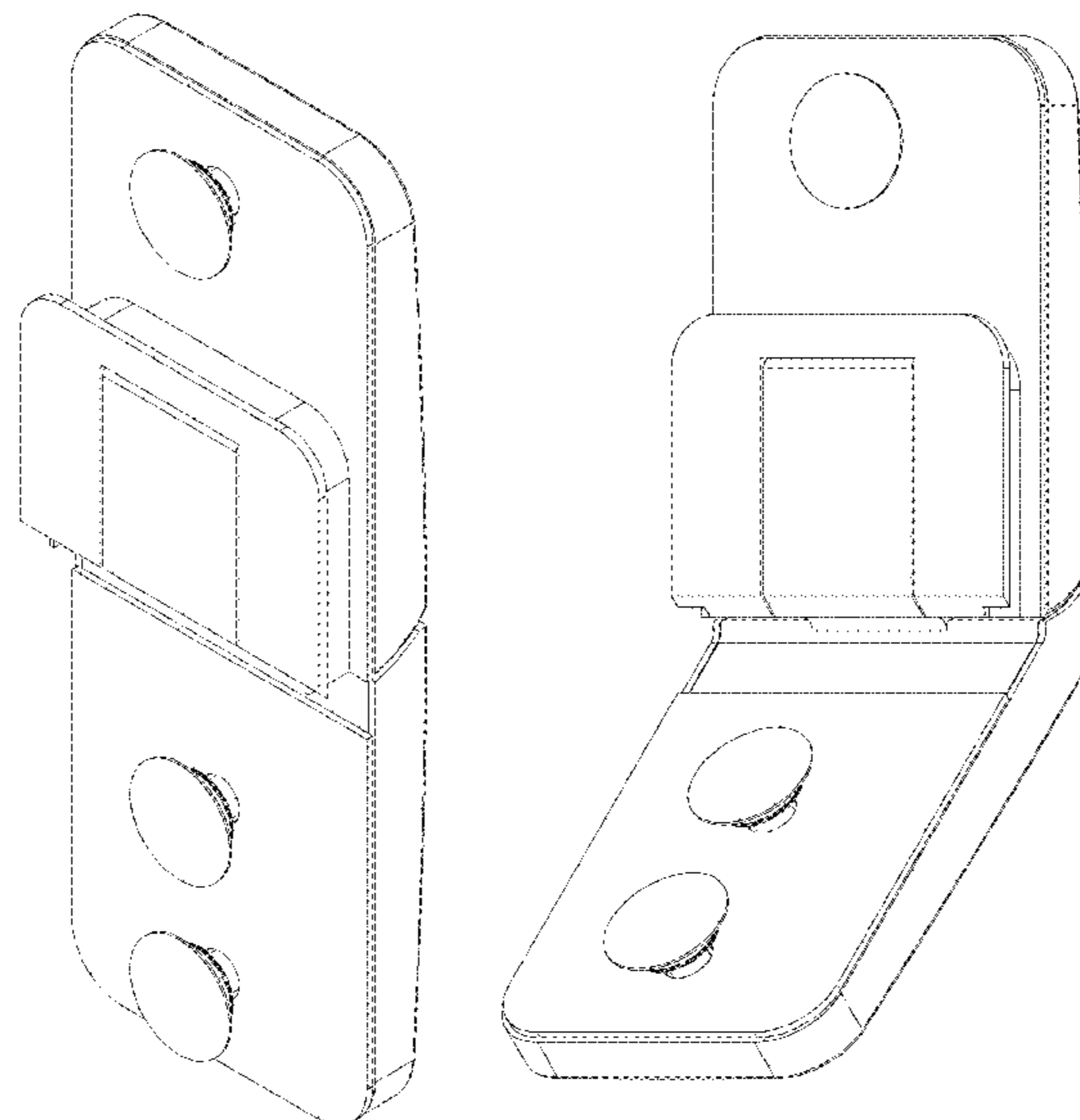
(57) **CLAIM**

The ornamental designs for a hinge, as shown and described.

DESCRIPTION

FIG. 1 is a front view of the hinge, according to a first embodiment of the present invention;
 FIG. 2 is a rear view thereof;
 FIG. 3 is a left side view thereof;
 FIG. 4 is a right side view thereof;
 FIG. 5 is a top plan view thereof;
 FIG. 6 is a bottom view thereof; and
 FIG. 7 is a perspective view thereof.
 FIG. 8 is a front view of the hinge, according to a second embodiment of the present invention;
 FIG. 9 is a rear view thereof;
 FIG. 10 is a left side view thereof;
 FIG. 11 is a right side view thereof;
 FIG. 12 is a top plan view thereof;
 FIG. 13 is a bottom view thereof; and,
 FIG. 14 is a perspective view thereof.

1 Claim, 14 Drawing Sheets



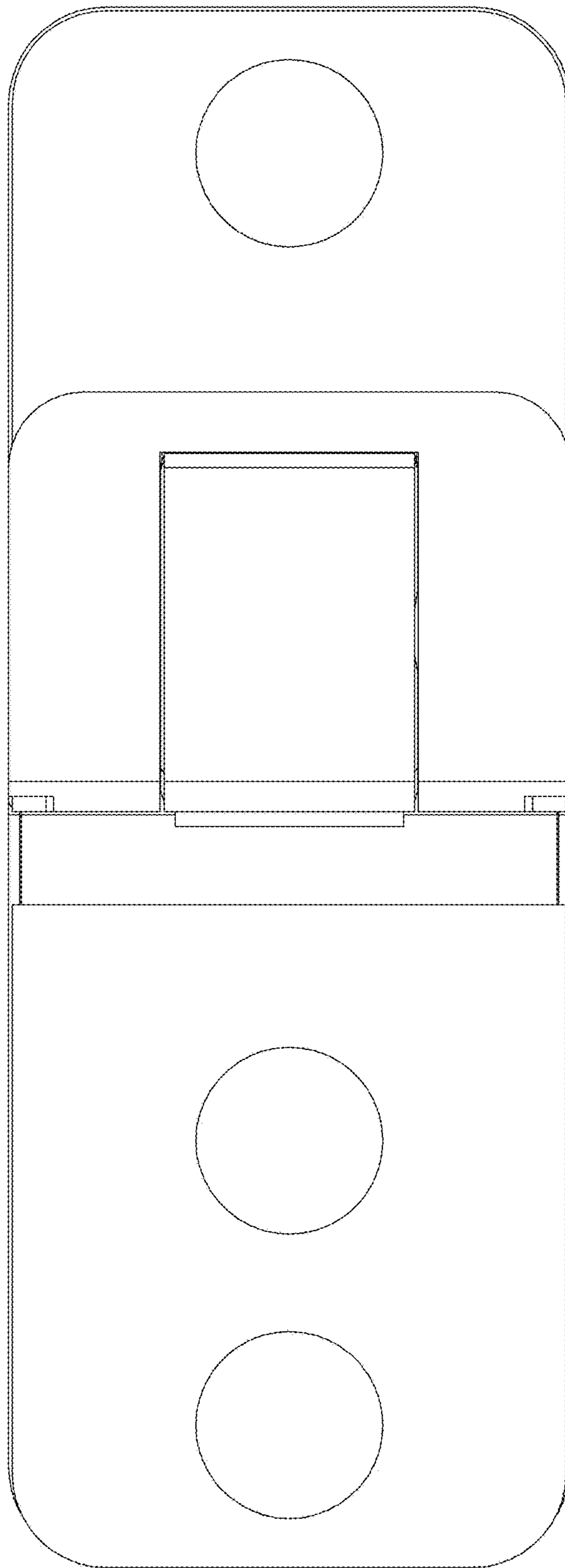


FIG. 1

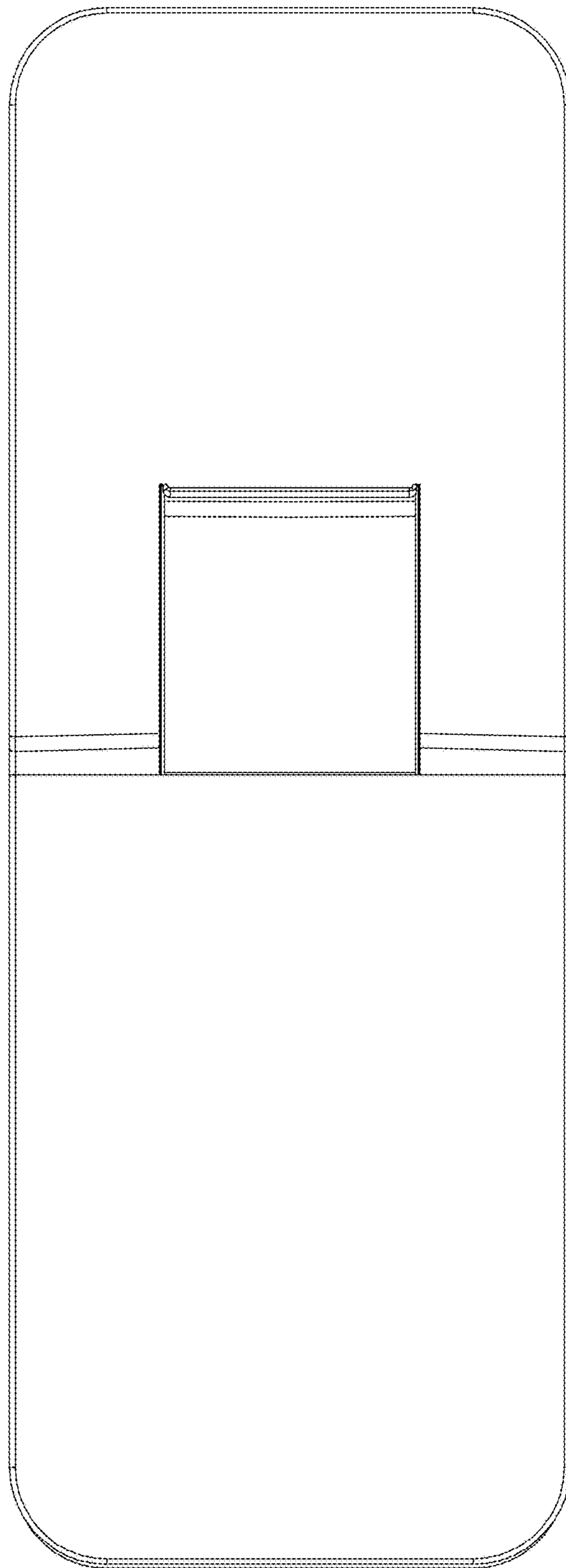


FIG. 2

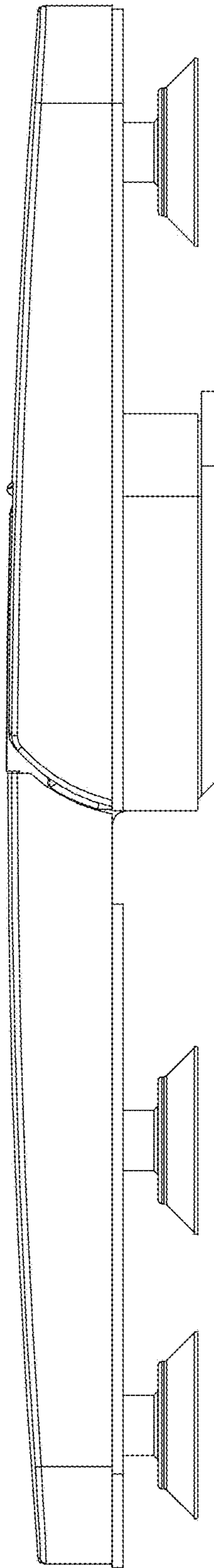


FIG. 3

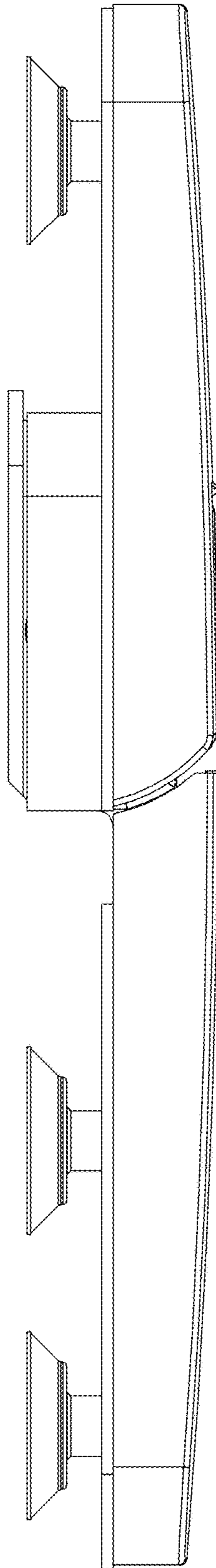


FIG. 4

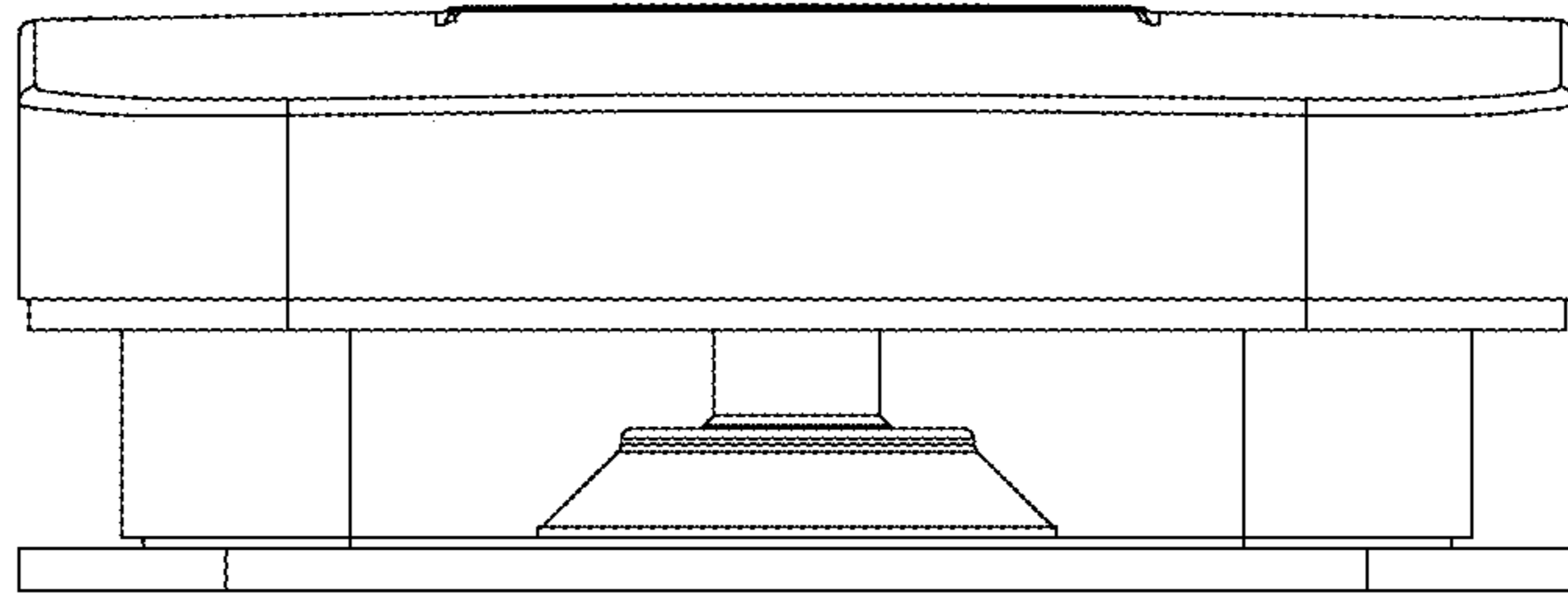


FIG. 5

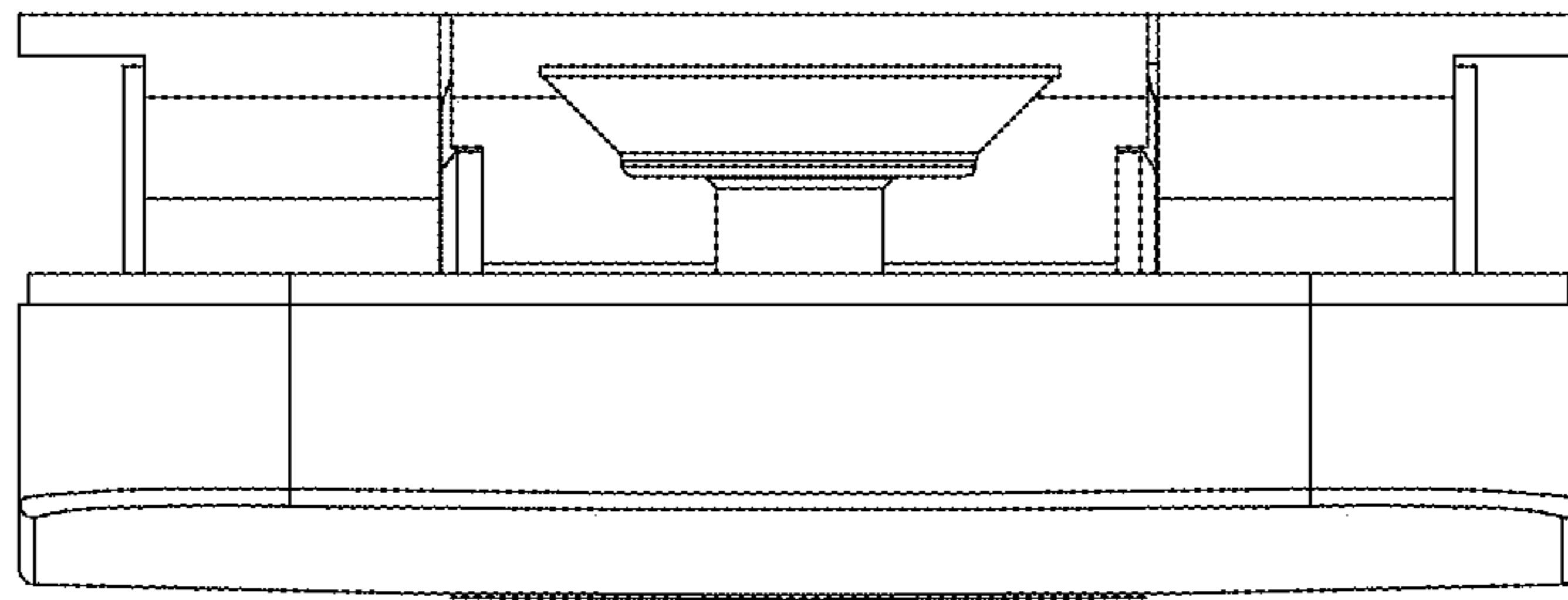


FIG. 6

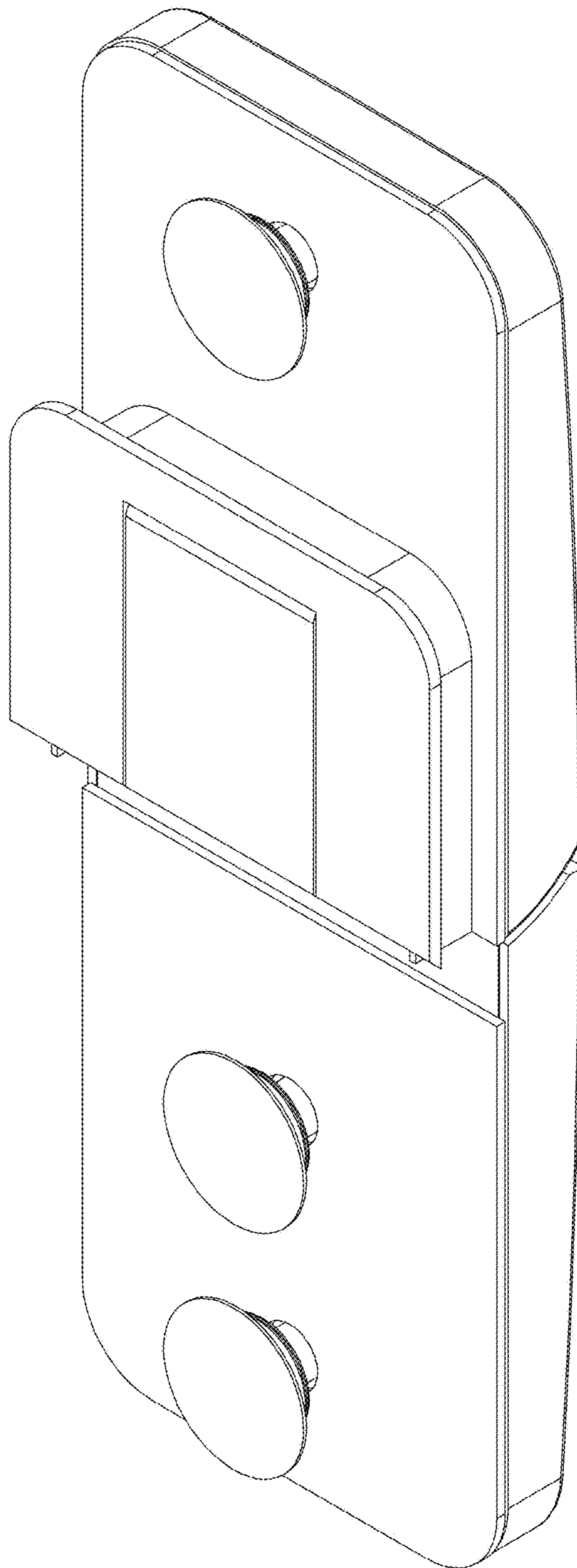


FIG. 7

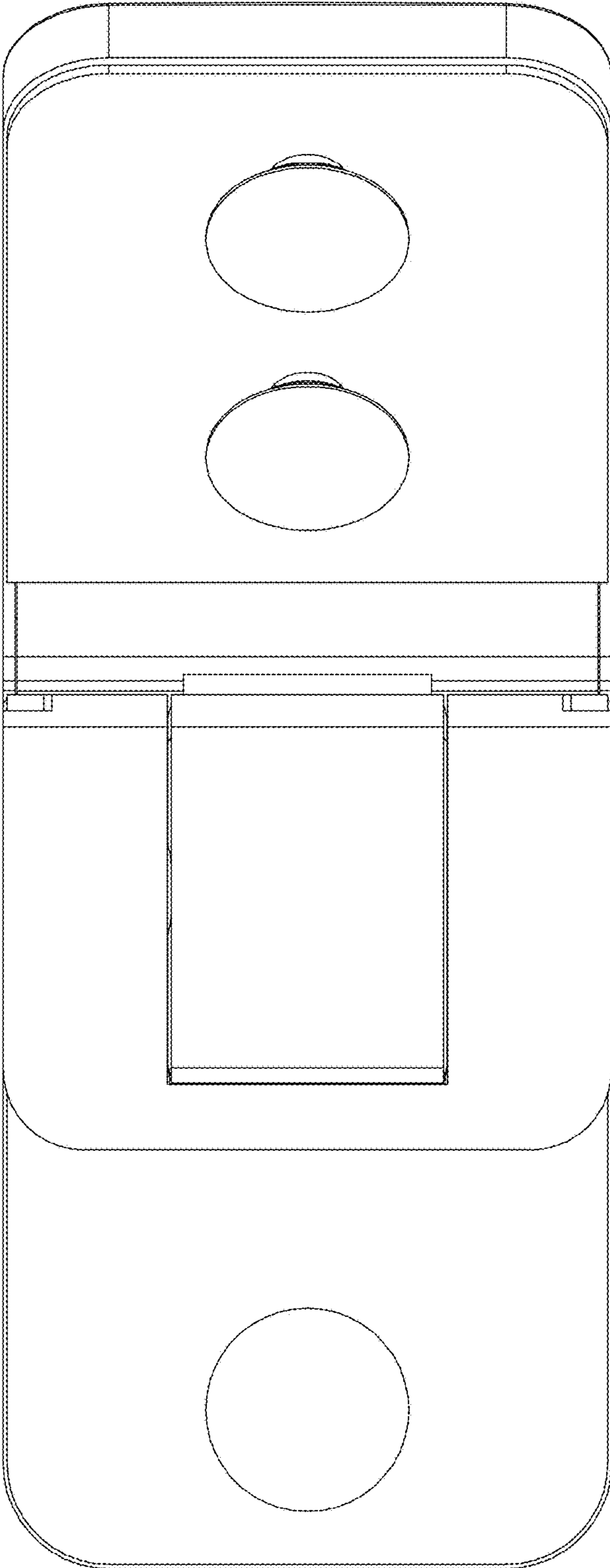


FIG. 8

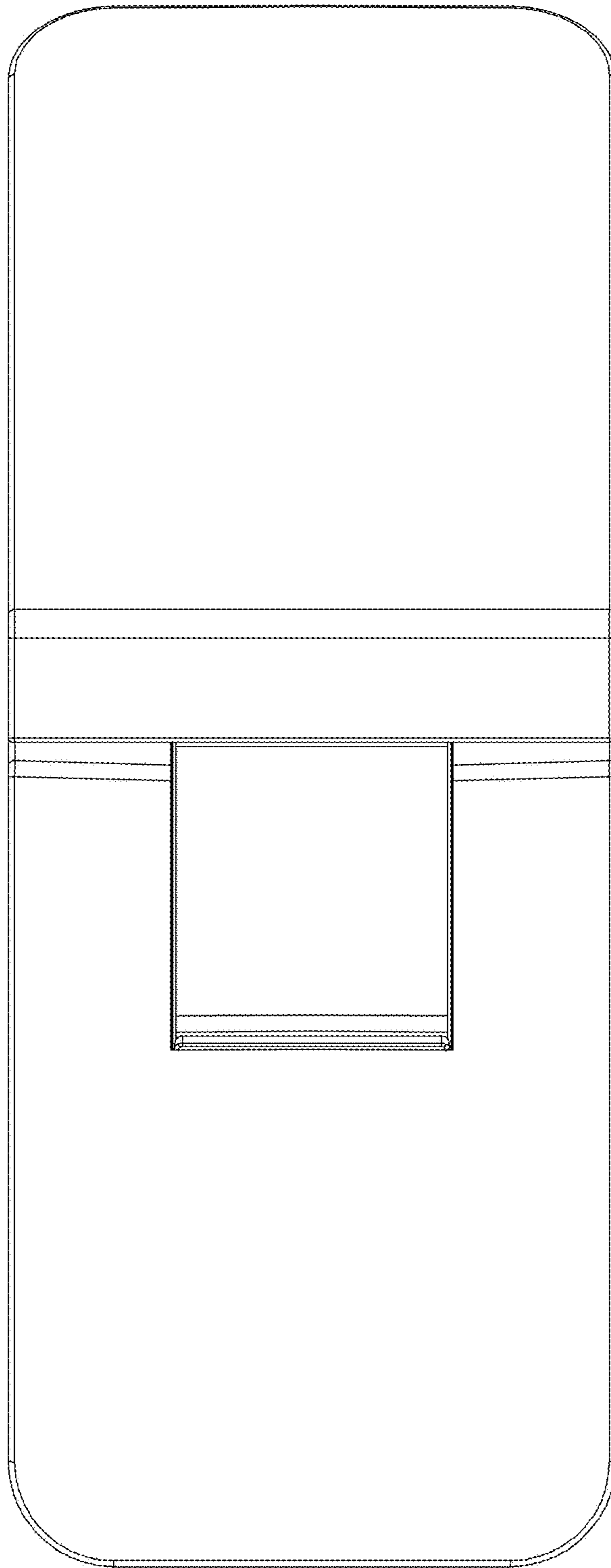


FIG. 9

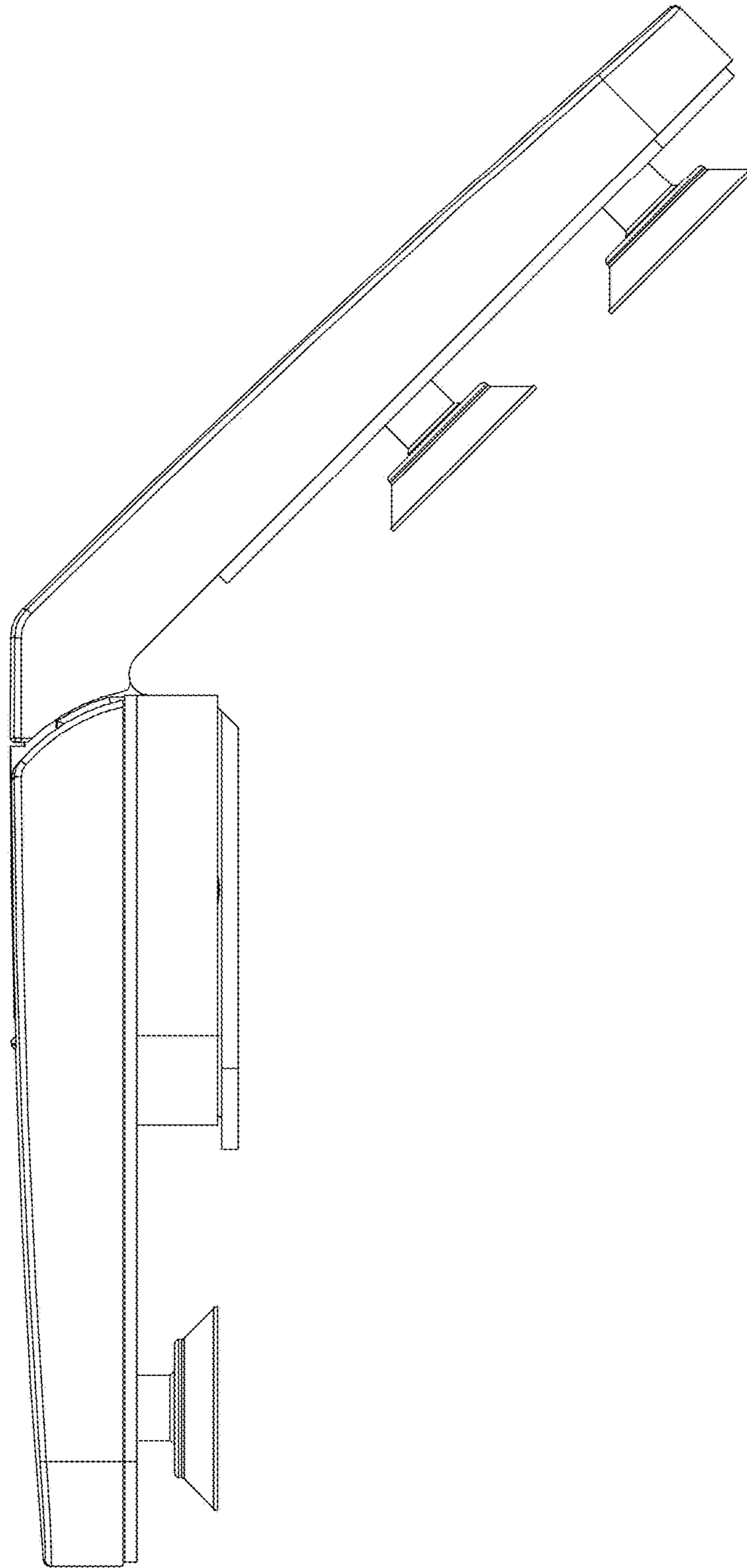


FIG. 10

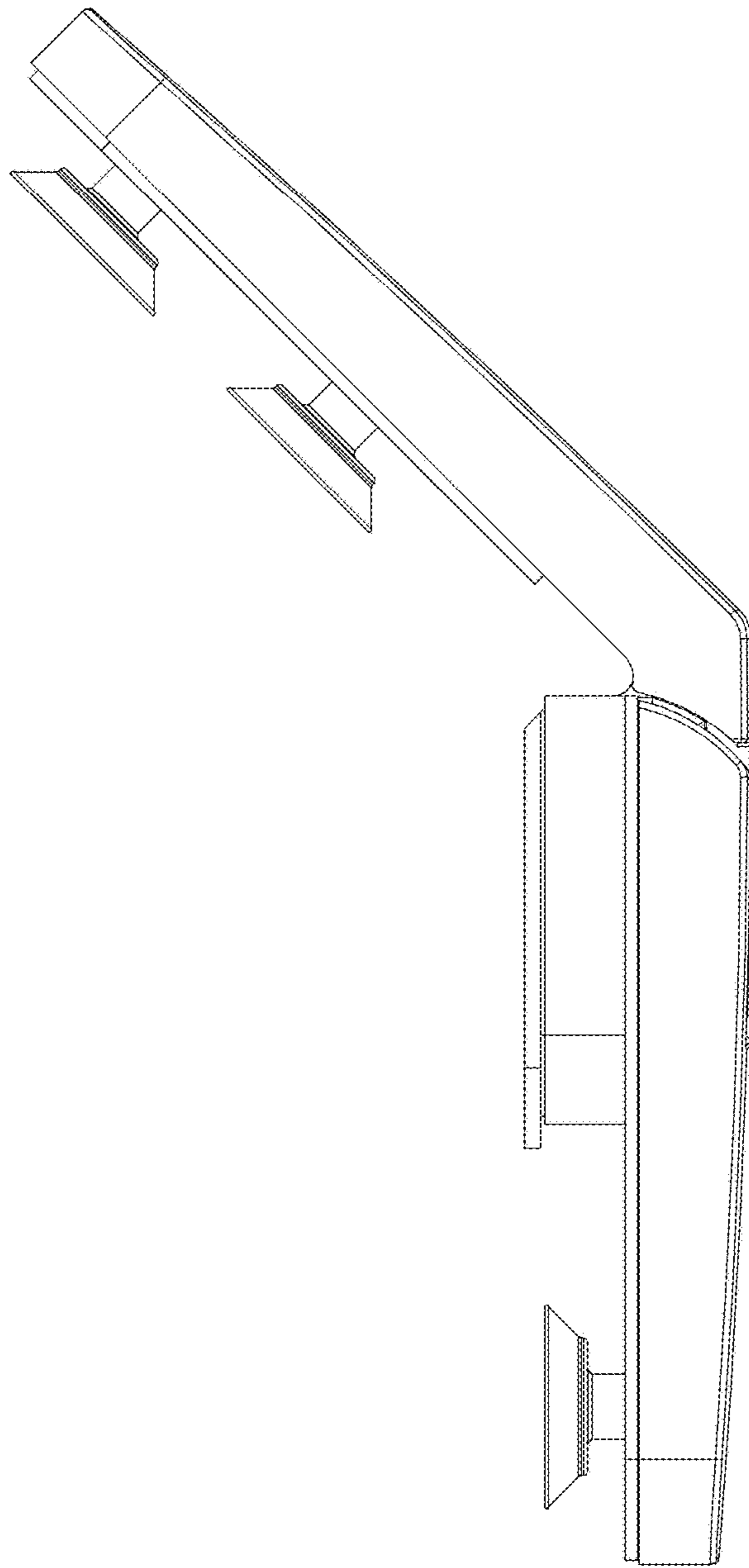


FIG. 11

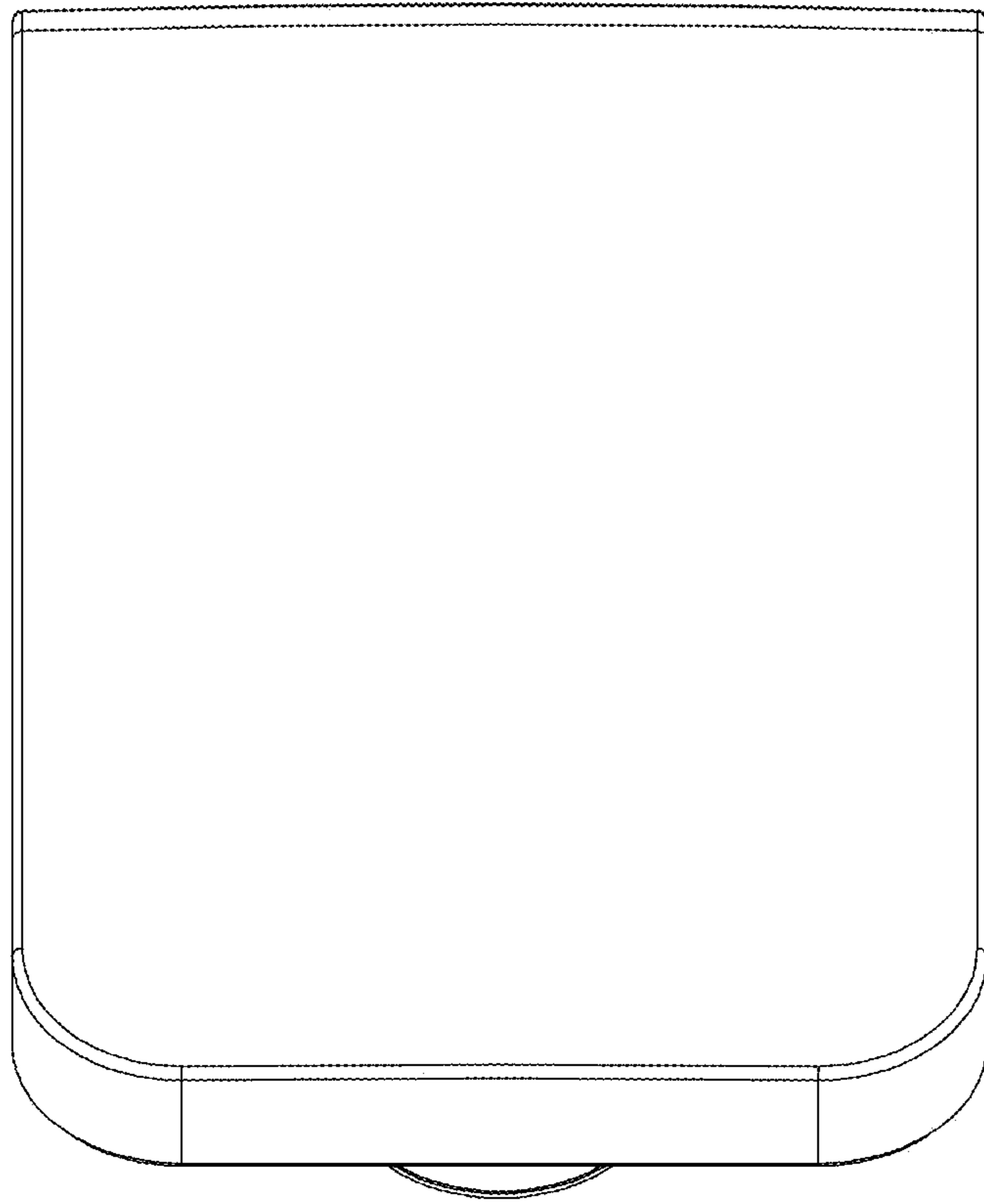


FIG. 12

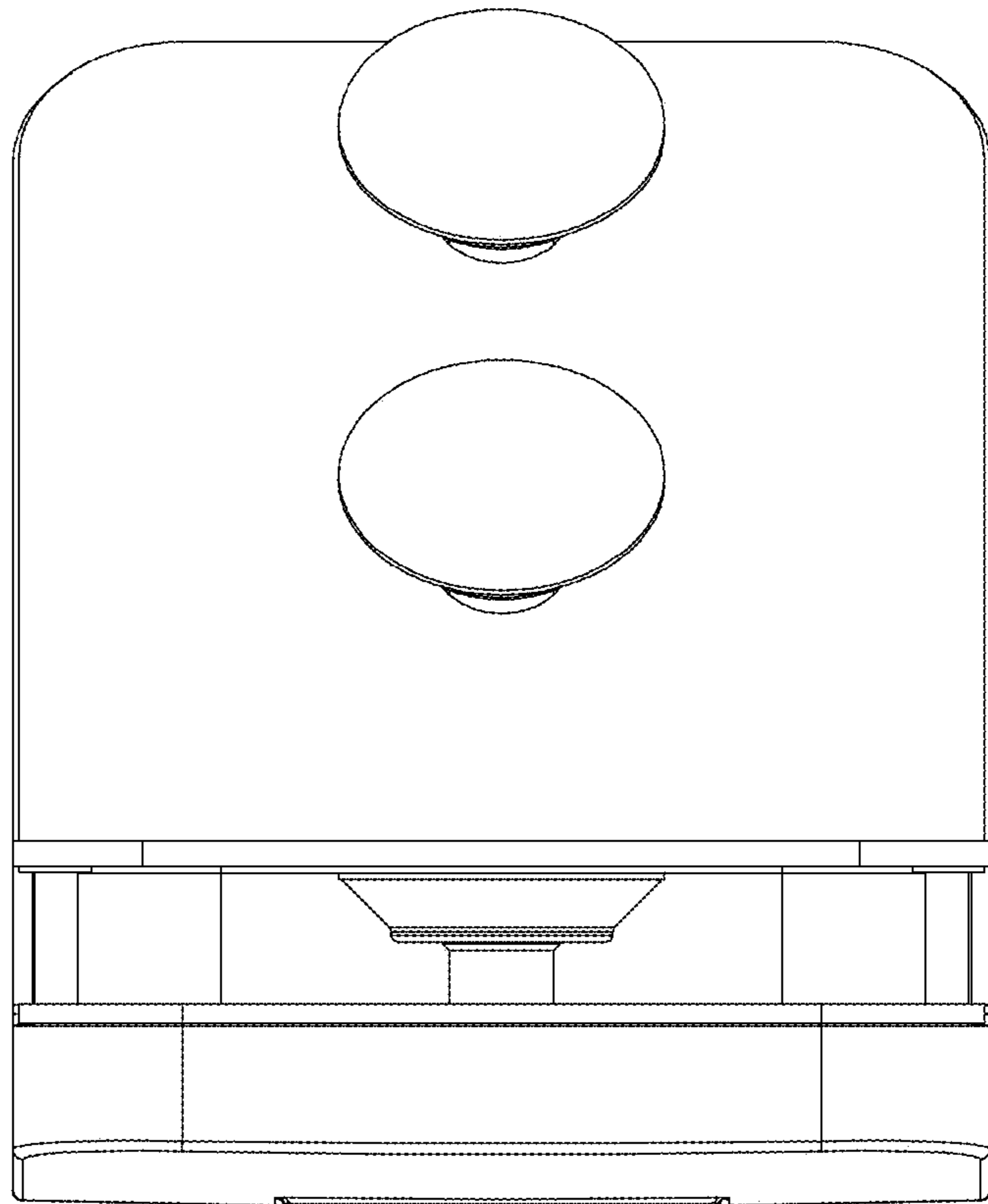


FIG. 13

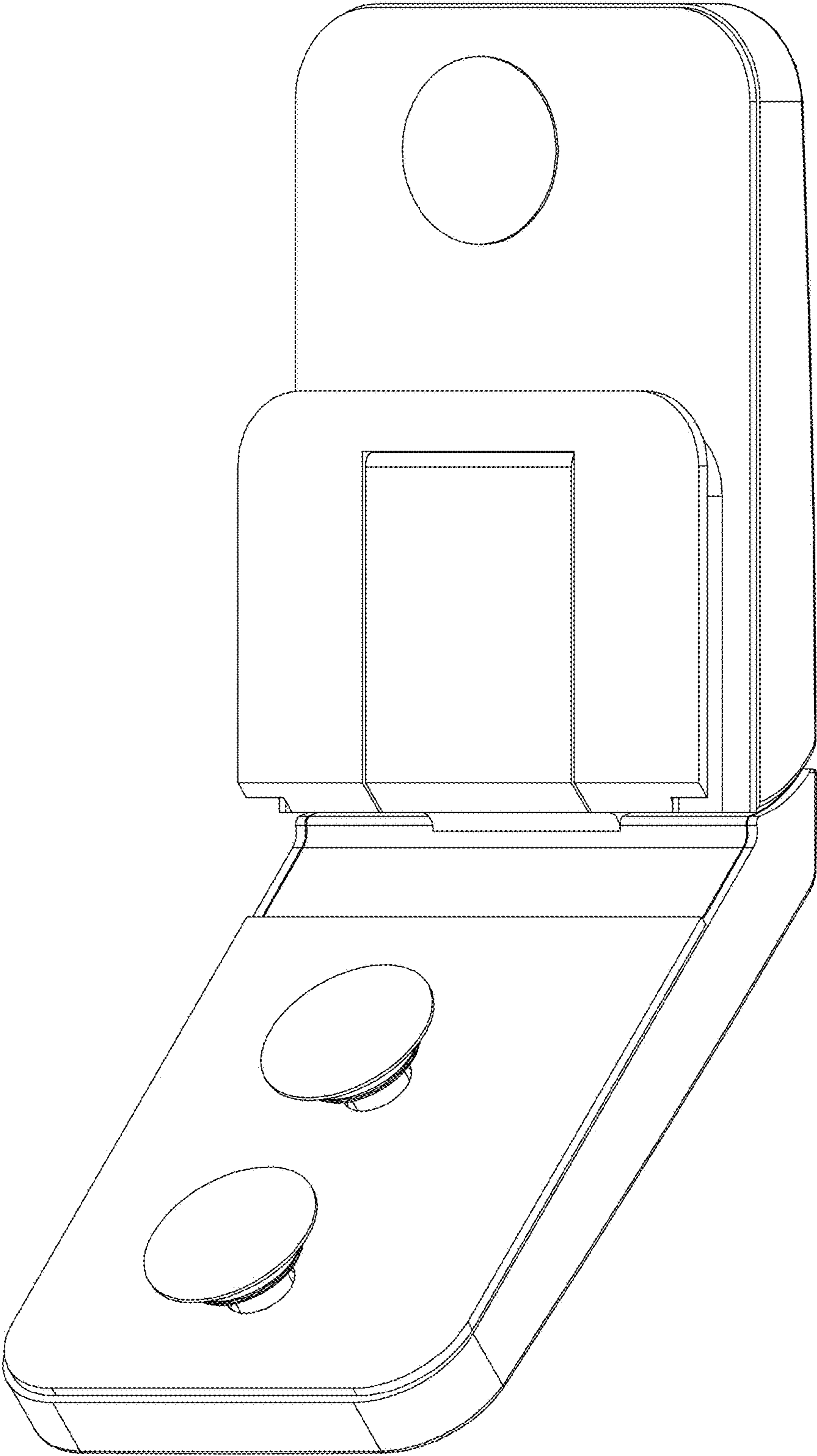


FIG. 14