



US00D804927S

(12) **United States Design Patent**
Ryan

(10) **Patent No.:** **US D804,927 S**

(45) **Date of Patent:** **** Dec. 12, 2017**

(54) **DRILLING JIG SET FOR CABINET HANDLE**

(71) Applicant: **Lee Ryan**, Saskatoon (CA)

(72) Inventor: **Lee Ryan**, Saskatoon (CA)

(**) Term: **15 Years**

(21) Appl. No.: **29/571,324**

(22) Filed: **Jul. 18, 2016**

(51) **LOC (10) Cl.** **08-05**

(52) **U.S. Cl.**
USPC **D8/71**

(58) **Field of Classification Search**

USPC D8/71, 72-74; D15/140; 206/349, 350;
408/72 R, 79-83, 115 R, 115 B; 33/493,
33/562, 667, 675, 679
CPC B23B 47/28; B23B 47/287; B23B 49/02;
B23B 2226/61; Y10T 408/569; Y10T
408/567; Y10T 408/558; Y10T 408/561;
Y10T 408/5614; E05B 17/06; E04F
21/003

See application file for complete search history.

(56) **References Cited**

U.S. PATENT DOCUMENTS

851,656 A * 4/1907 Dahly B44C 7/02
269/293
1,415,573 A * 5/1922 Janis B23D 69/02
33/562
4,131,040 A * 12/1978 Bollmer B21D 28/265
269/293
4,579,485 A 4/1986 Connor et al.
4,712,309 A * 12/1987 Kingston E04F 21/1883
33/527
4,791,732 A * 12/1988 Bruno, Jr. B23B 47/28
33/578
4,952,101 A 8/1990 Coombs
4,981,400 A 1/1991 Stover
5,056,966 A * 10/1991 Lee B23B 47/287
408/115 R

D328,698 S * 8/1992 Worthington D10/69
5,174,693 A * 12/1992 Lee B23B 47/287
408/108
D369,535 S * 5/1996 Holtzman D8/71
5,590,986 A * 1/1997 Juang B23B 47/287
408/115 R
D380,953 S * 7/1997 Norgaard D8/71
5,807,036 A 9/1998 Lostlen
5,813,803 A 9/1998 Sommerfeld
5,853,270 A 12/1998 Salley et al.
5,954,461 A 9/1999 Lemieux
6,244,795 B1 * 6/2001 Fenelon B23B 47/288
408/115 R
6,804,891 B1 10/2004 Hurtgam
7,189,034 B1 3/2007 Zellinger et al.
D607,706 S * 1/2010 Jastrow D8/72

(Continued)

FOREIGN PATENT DOCUMENTS

JP 2009136976 A * 6/2009 B25H 3/00

Primary Examiner — Lakiya Rogers

Assistant Examiner — Altaira Swangin

(74) *Attorney, Agent, or Firm* — Robert C. Montgomery;
Montgomery Patent & Design LP.

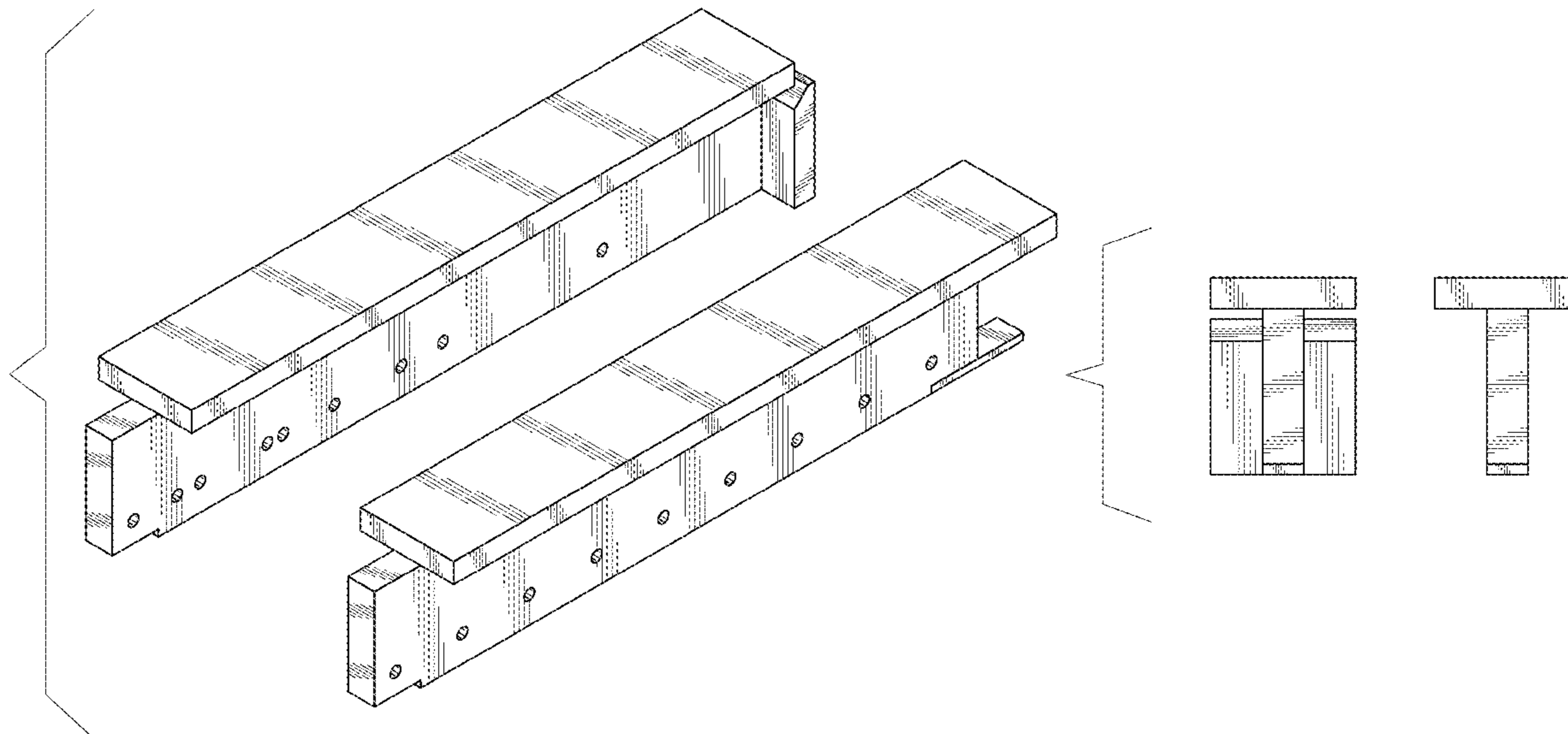
(57) **CLAIM**

The ornamental design for a drilling jig set for a cabinet handle, as shown and described.

DESCRIPTION

FIG. 1 is a front perspective view of both components of a drilling jig set for a cabinet handle, showing my new design; FIG. 2 is a front elevation view thereof, where a rear elevation view is a mirror image thereof; FIG. 3 is a left side elevation view thereof; FIG. 4 is a right side elevation view thereof; FIG. 5 is a top plan view thereof; and, FIG. 6 is a bottom plan view thereof.

1 Claim, 5 Drawing Sheets



(56)

References Cited

U.S. PATENT DOCUMENTS

8,152,420	B1 *	4/2012	Block	B23B 47/287 408/103
8,302,785	B2 *	11/2012	Kao	A47F 5/0846 211/70.6
8,459,906	B1 *	6/2013	Schmitt	B23B 47/287 408/103
8,573,906	B2	11/2013	Gowker		
8,641,333	B2 *	2/2014	Blick	B23B 47/288 279/83
2003/0170082	A1 *	9/2003	Garcia	B23B 47/28 408/1 R
2006/0210367	A1 *	9/2006	Liu	B23B 47/287 408/115 R
2006/0251481	A1 *	11/2006	Behman	B23B 47/28 408/115 R
2009/0191015	A1 *	7/2009	Quinn	B23B 47/288 408/115 R
2010/0320162	A1 *	12/2010	Kao	B25H 3/04 211/70.6
2012/0051866	A1 *	3/2012	Blick	B23B 47/288 408/115 B
2012/0243955	A1 *	9/2012	Cross	B23B 49/005 408/72 B
2013/0036587	A1 *	2/2013	Hoffmann	E01H 4/023 29/281.4
2014/0064868	A1 *	3/2014	Clark	B23B 47/287 408/241 B
2014/0348603	A1 *	11/2014	Miyajima	B23B 47/28 408/1 R
2015/0016907	A1 *	1/2015	Frick	B23B 47/287 408/115 R

* cited by examiner

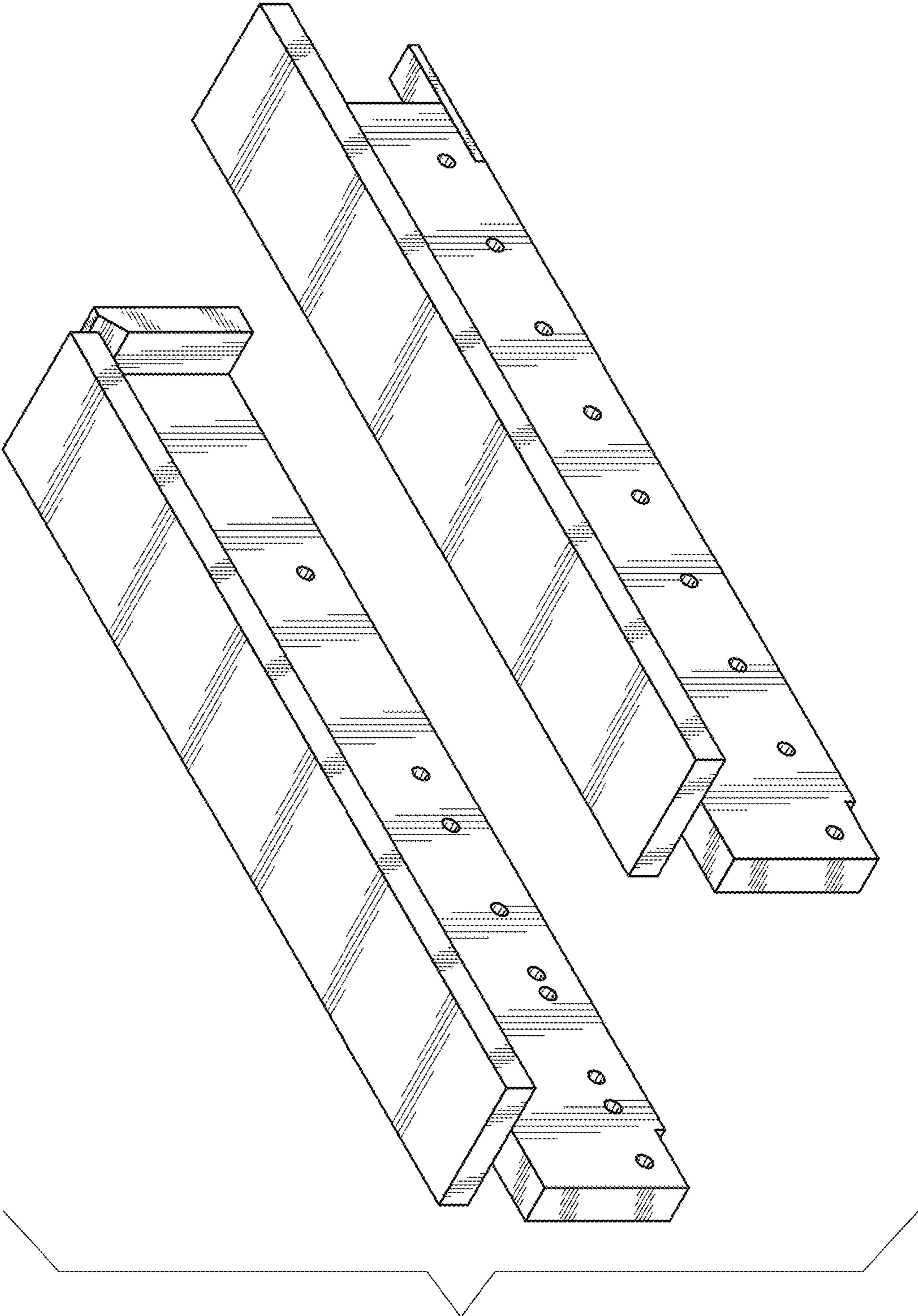


FIG. 1

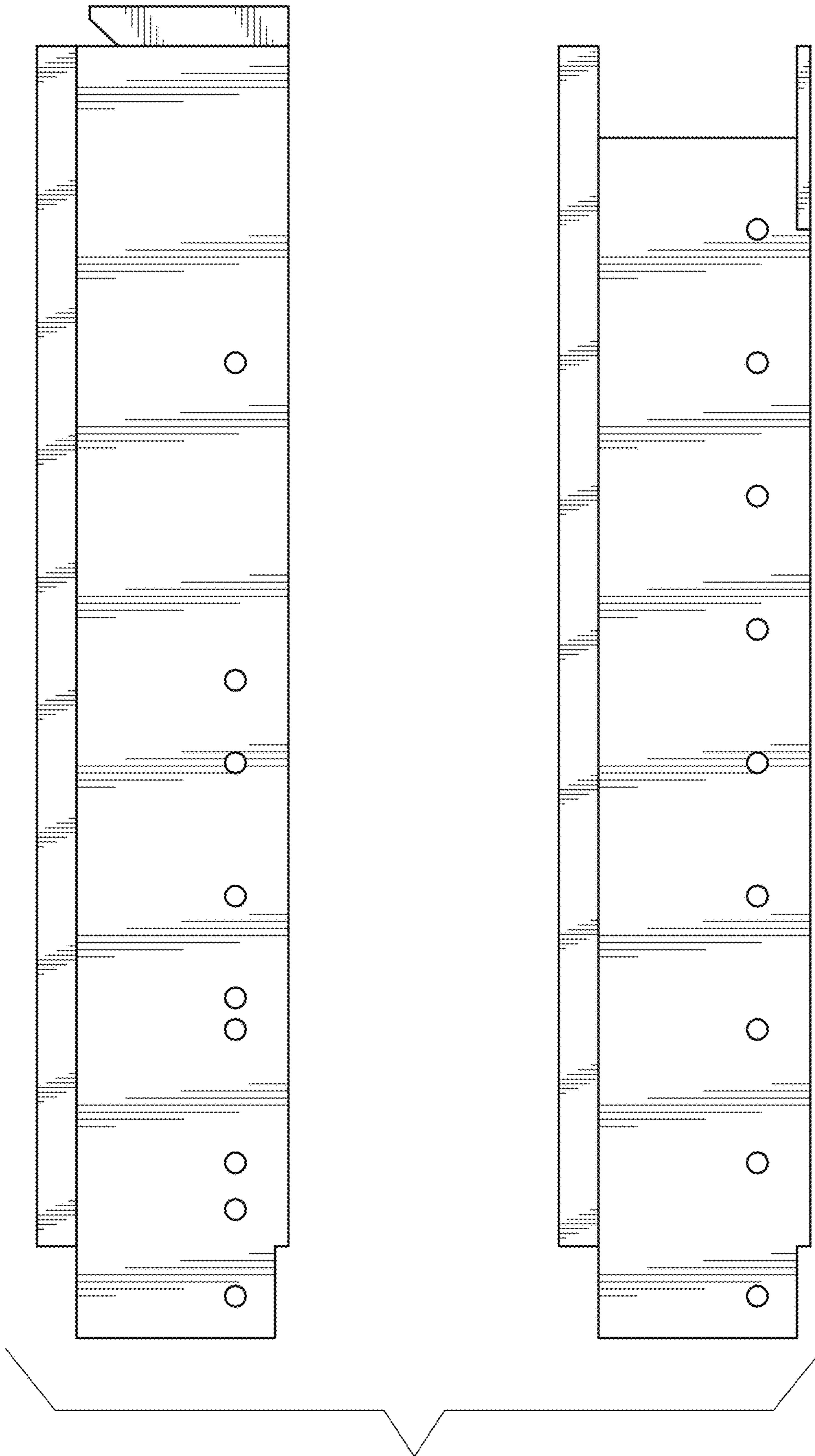


FIG. 2

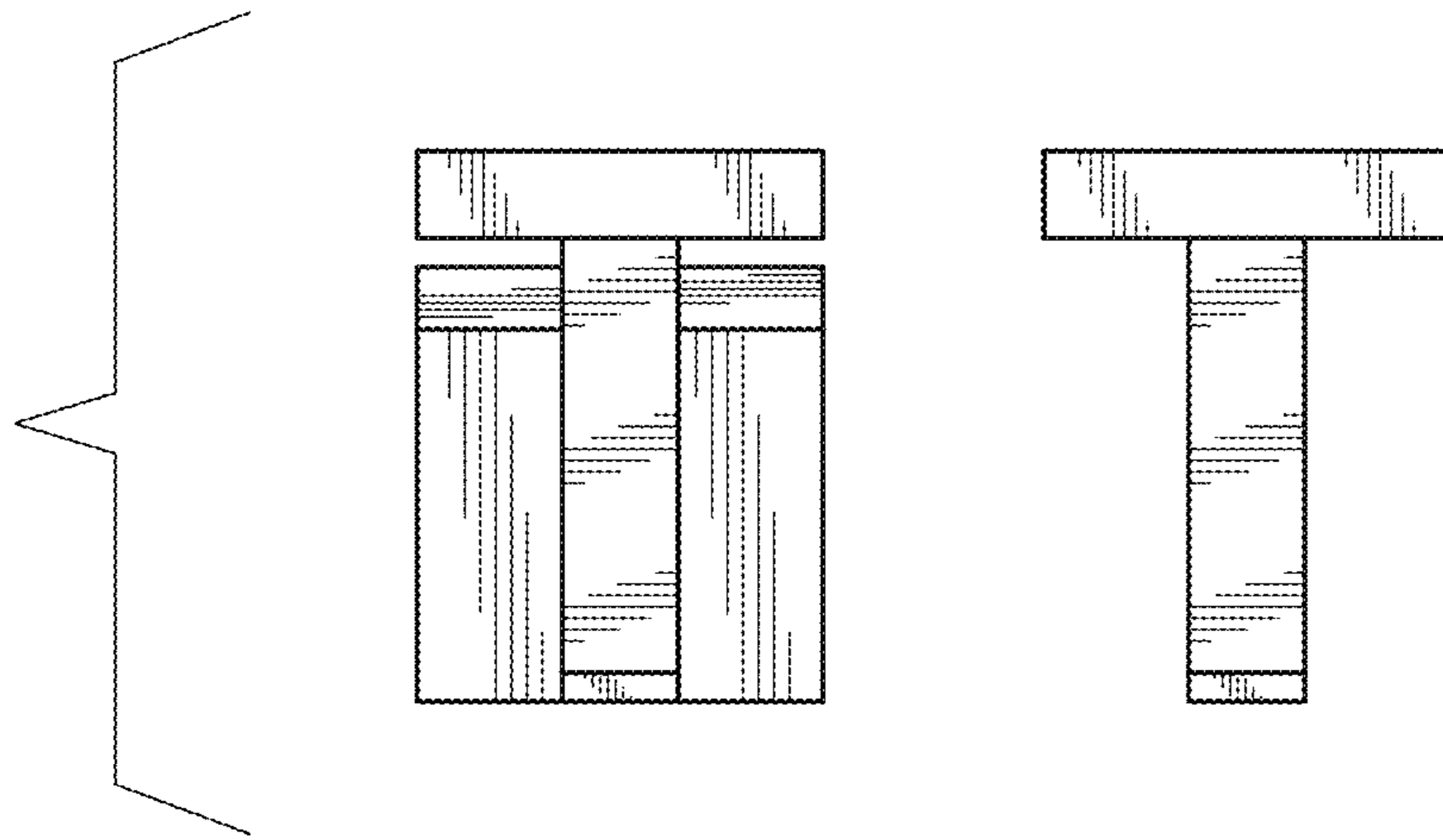


FIG. 3

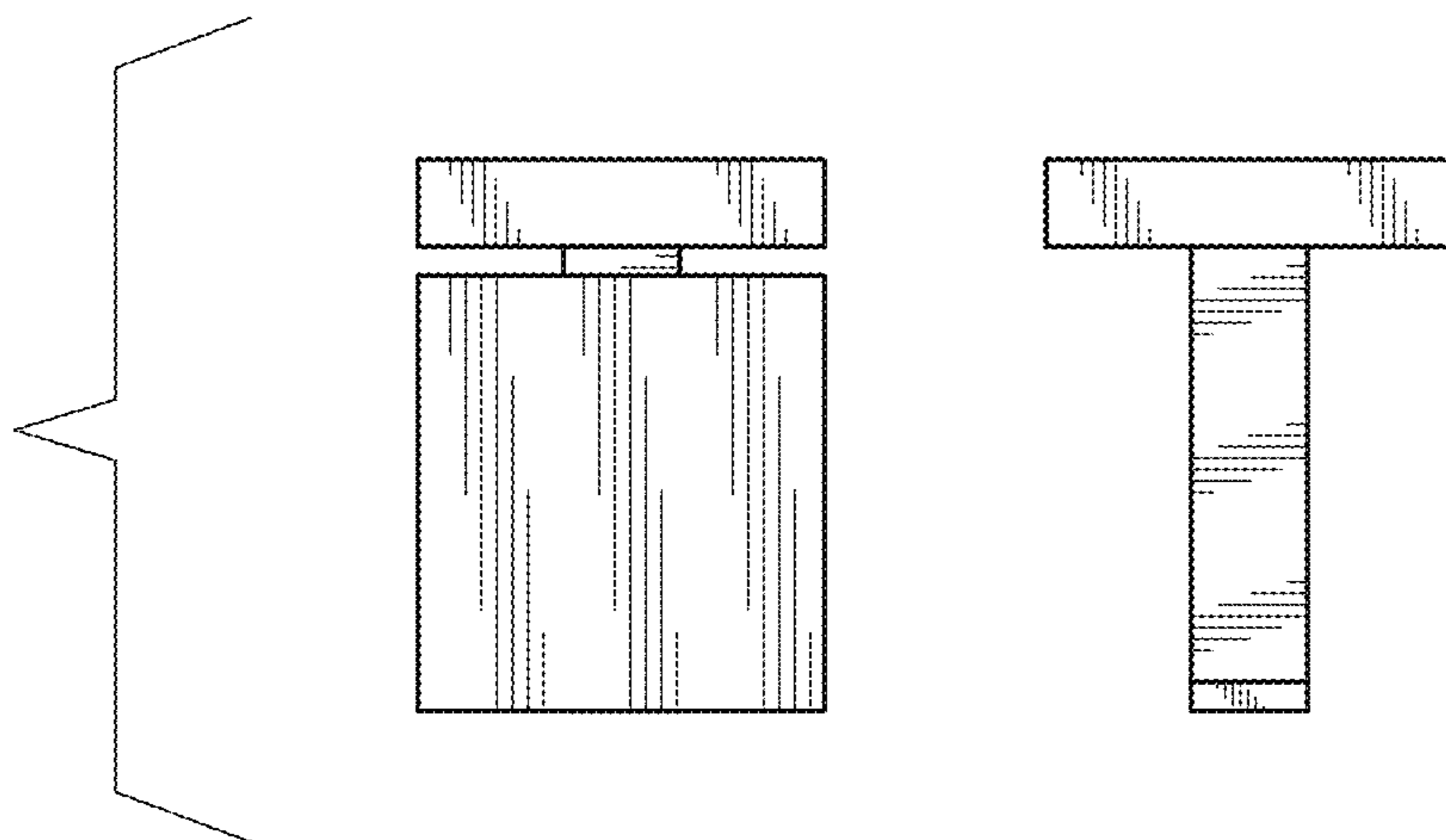


FIG. 4

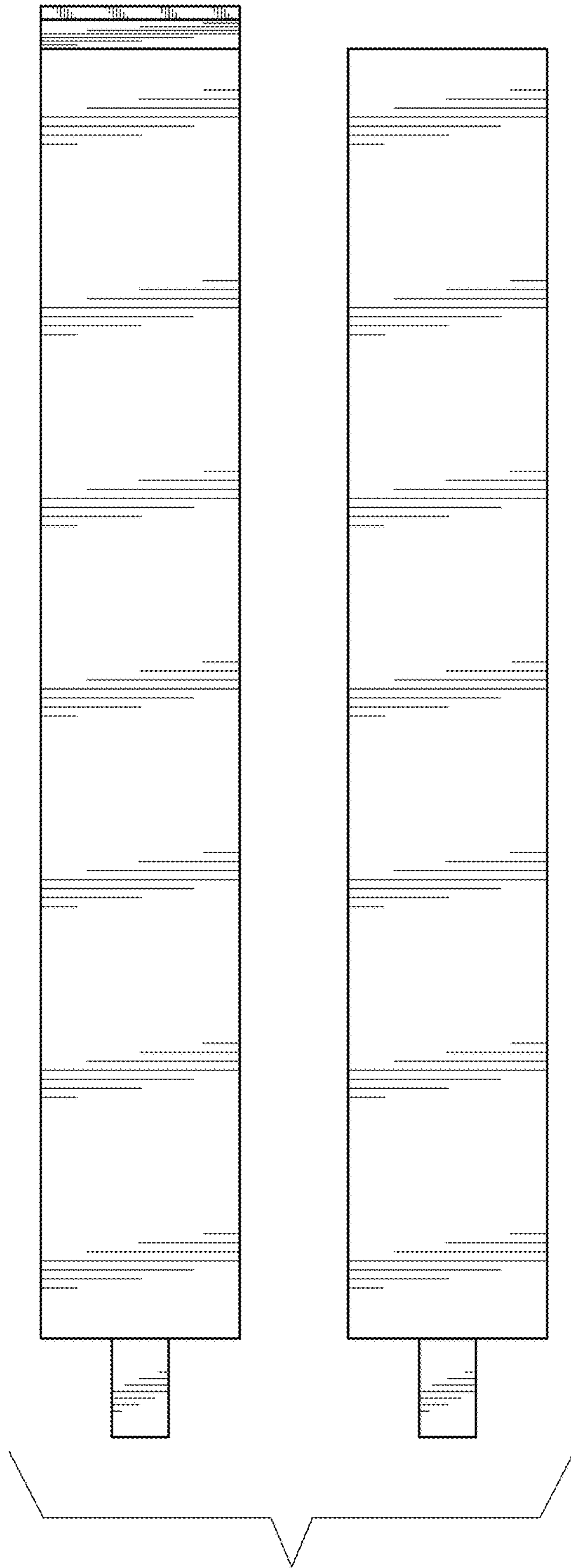


FIG. 5

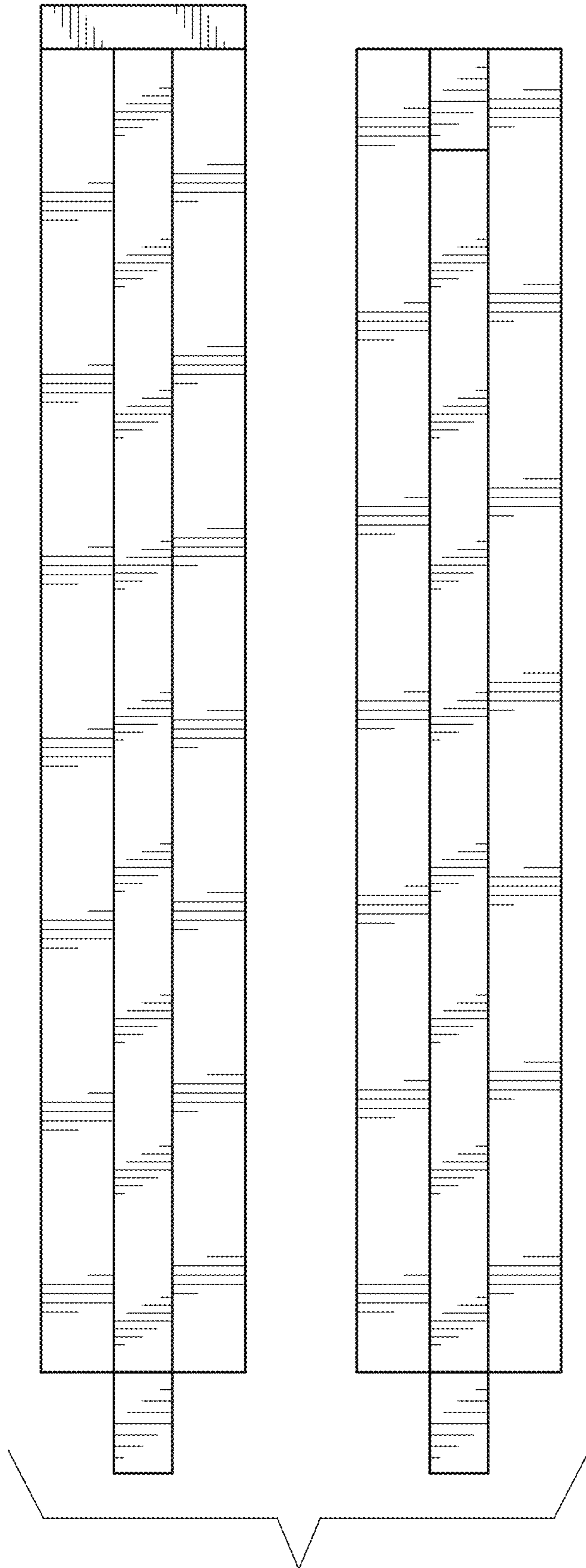


FIG. 6