



US00D804926S

(12) **United States Design Patent** (10) **Patent No.:** **US D804,926 S**
Atkinson (45) **Date of Patent:** **** Dec. 12, 2017**

(54) **DOWEL HOLE GUIDE**
(71) Applicant: **Gordon E. Atkinson**, Black Mountain, NC (US)
(72) Inventor: **Gordon E. Atkinson**, Black Mountain, NC (US)
(**) Term: **15 Years**
(21) Appl. No.: **29/564,173**
(22) Filed: **May 11, 2016**
(51) **LOC (10) Cl.** **08-05**
(52) **U.S. Cl.**
USPC **D8/71; D15/140**
(58) **Field of Classification Search**
USPC D15/7, 9, 10, 13, 17, 27, 28, 122, 123, D15/124, 125, 126, 127, 128, 129, 138, D15/139, 140, 141, 199; D8/71, 72, 73, D8/74
CPC B25D 3/00; B25D 17/02; B25D 2250/111; B25D 2211/003; B25D 16/00; E21B 10/52; E21B 10/16; E21B 10/567; C03B 23/047; C03B 23/0496
See application file for complete search history.

D309,463 S * 7/1990 McDannel D15/123
D346,540 S * 5/1994 Crawley D15/127
D369,610 S * 5/1996 Iida D15/7
D438,215 S * 2/2001 Kaneko D15/7
D452,135 S * 12/2001 Wyatt D8/354
D457,900 S * 5/2002 Hanne D15/140
7,147,412 B2 12/2006 Davis
7,762,749 B2 7/2010 Kiezel
D742,925 S * 11/2015 Saito D15/7
D742,926 S * 11/2015 Saito D15/7
2015/0108311 A1 * 4/2015 Takai B23Q 3/18
248/346.03

* cited by examiner

Primary Examiner — Ian Simmons
Assistant Examiner — Mojtaba Tehrani
(74) *Attorney, Agent, or Firm* — Stevens & Showalter LLP

(57) **CLAIM**

The ornamental design for a dowel hole guide, as shown and described.

DESCRIPTION

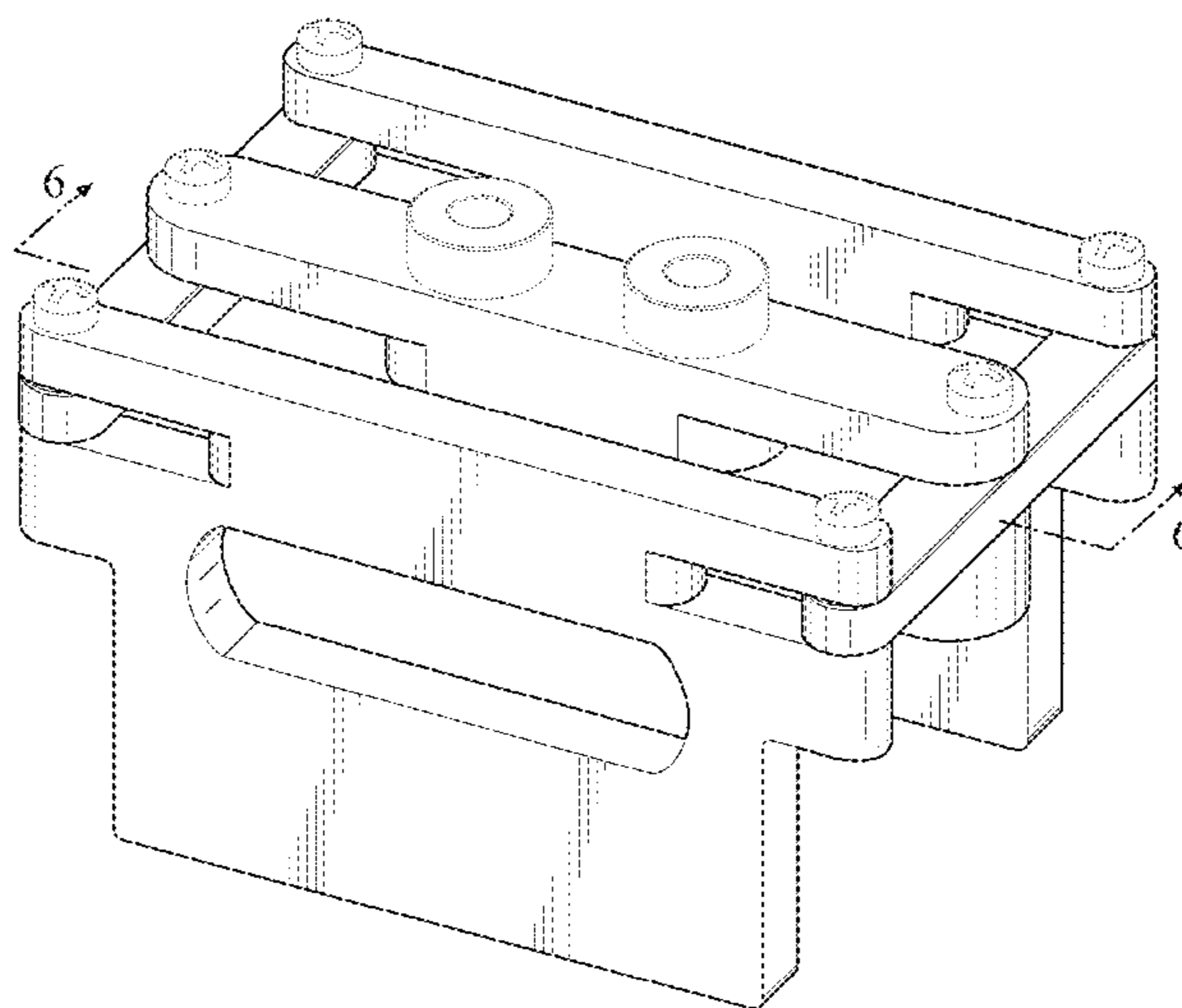
FIG. 1 is a top perspective view of a dowel hole guide showing my new design;
FIG. 2 is a side elevation view of the dowel hole guide of FIG. 1, the opposite side elevation view being a mirror image of FIG. 2;
FIG. 3 is a front elevation view of the dowel hole guide of FIG. 1, the rear elevation view being a mirror image of FIG. 3;
FIG. 4 is a top plan view of the dowel hole guide of FIG. 1;
FIG. 5 is a bottom plan view of the dowel hole guide of FIG. 1; and,
FIG. 6 is a cross-section view taken along line 6-6 in FIG. 1.
The broken line in the figure drawings represents portion of the design that forms no part of the claim.

1 Claim, 4 Drawing Sheets

(56) **References Cited**

U.S. PATENT DOCUMENTS

2,783,665 A 3/1957 Saunders
3,115,799 A * 12/1963 Nitz B23B 29/10
82/158
3,807,889 A 4/1974 Kiezel
D232,760 S * 9/1974 Lanese D15/130
D232,761 S * 9/1974 Lanese D15/130
3,961,854 A * 6/1976 Jaquet A61B 17/6466
403/188
D248,727 S * 8/1978 Sperber D15/140
D274,913 S * 7/1984 Bonfield D15/138
D302,101 S * 7/1989 Livick D8/71
4,884,926 A 12/1989 Gibson
4,923,340 A 5/1990 Hegedusch



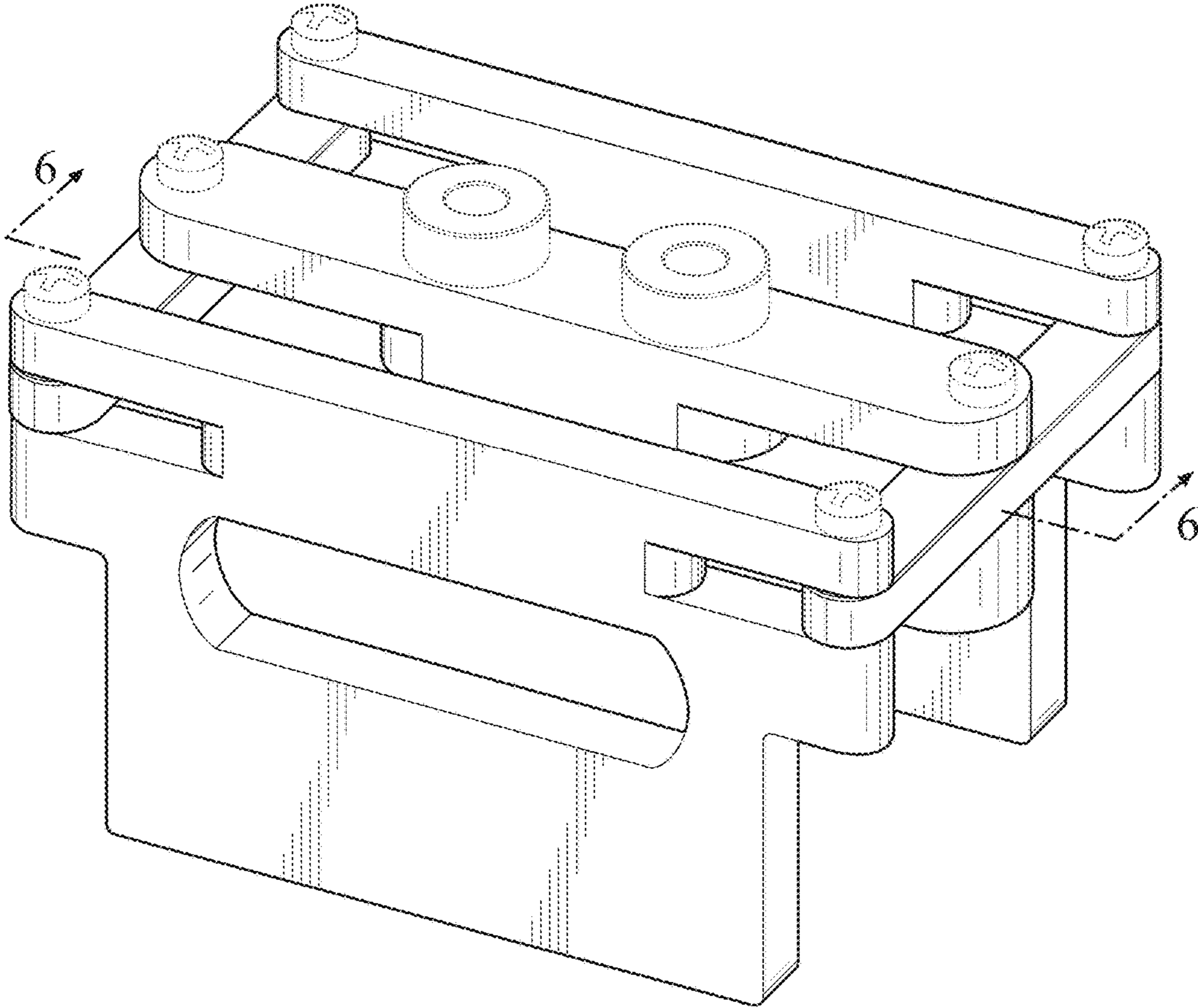


FIG. 1

FIG. 2

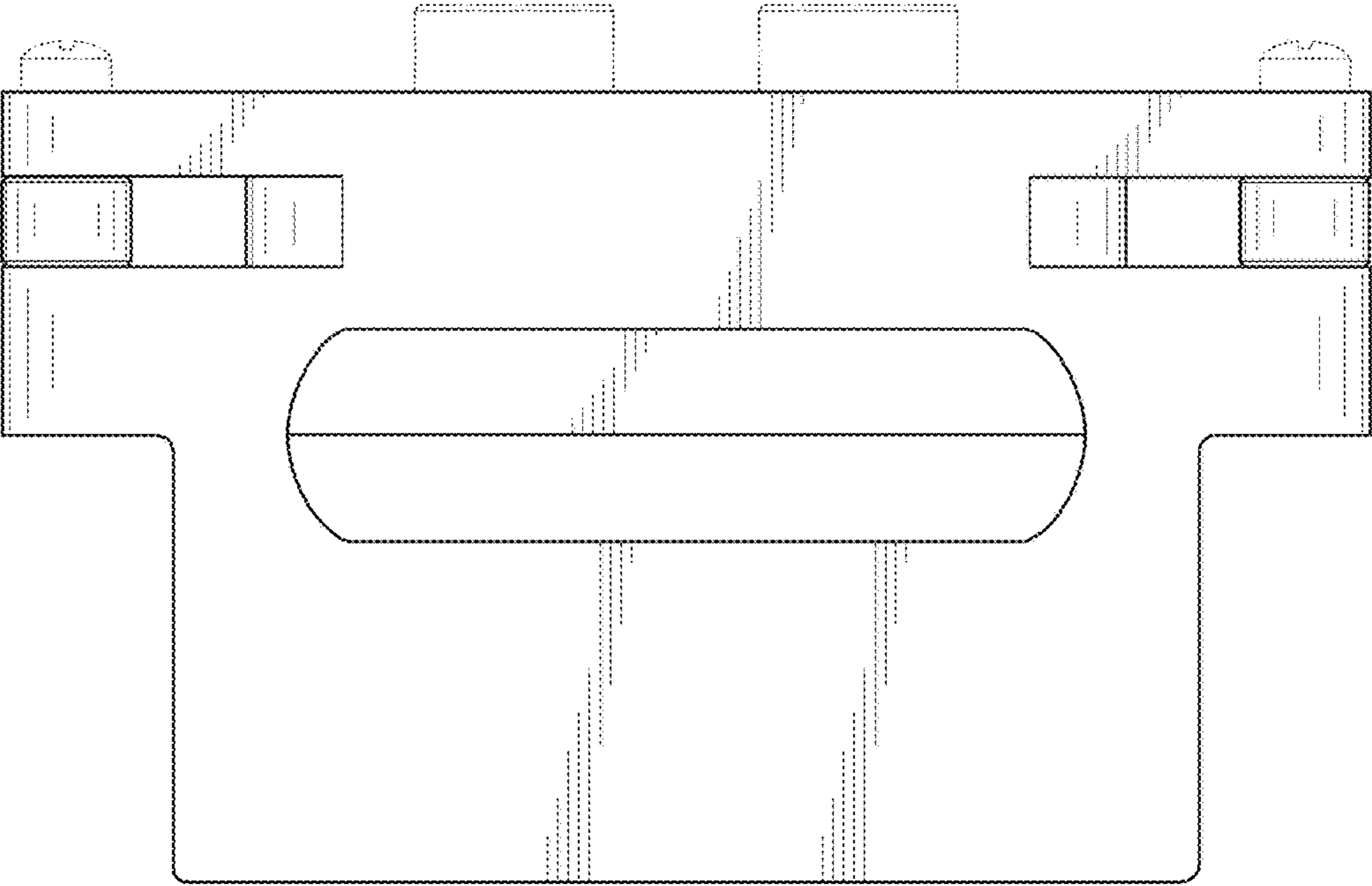


FIG. 3

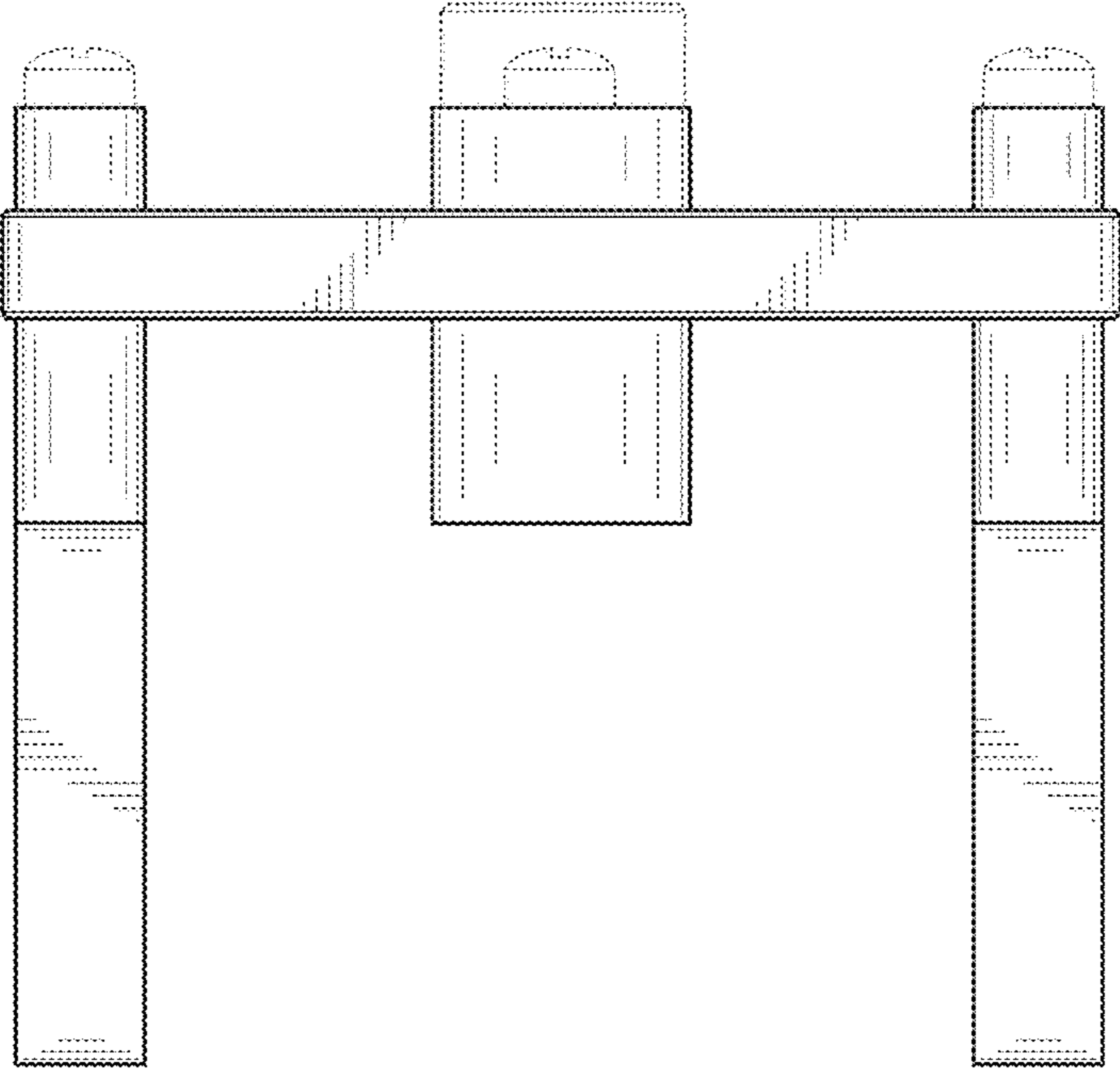


FIG. 4

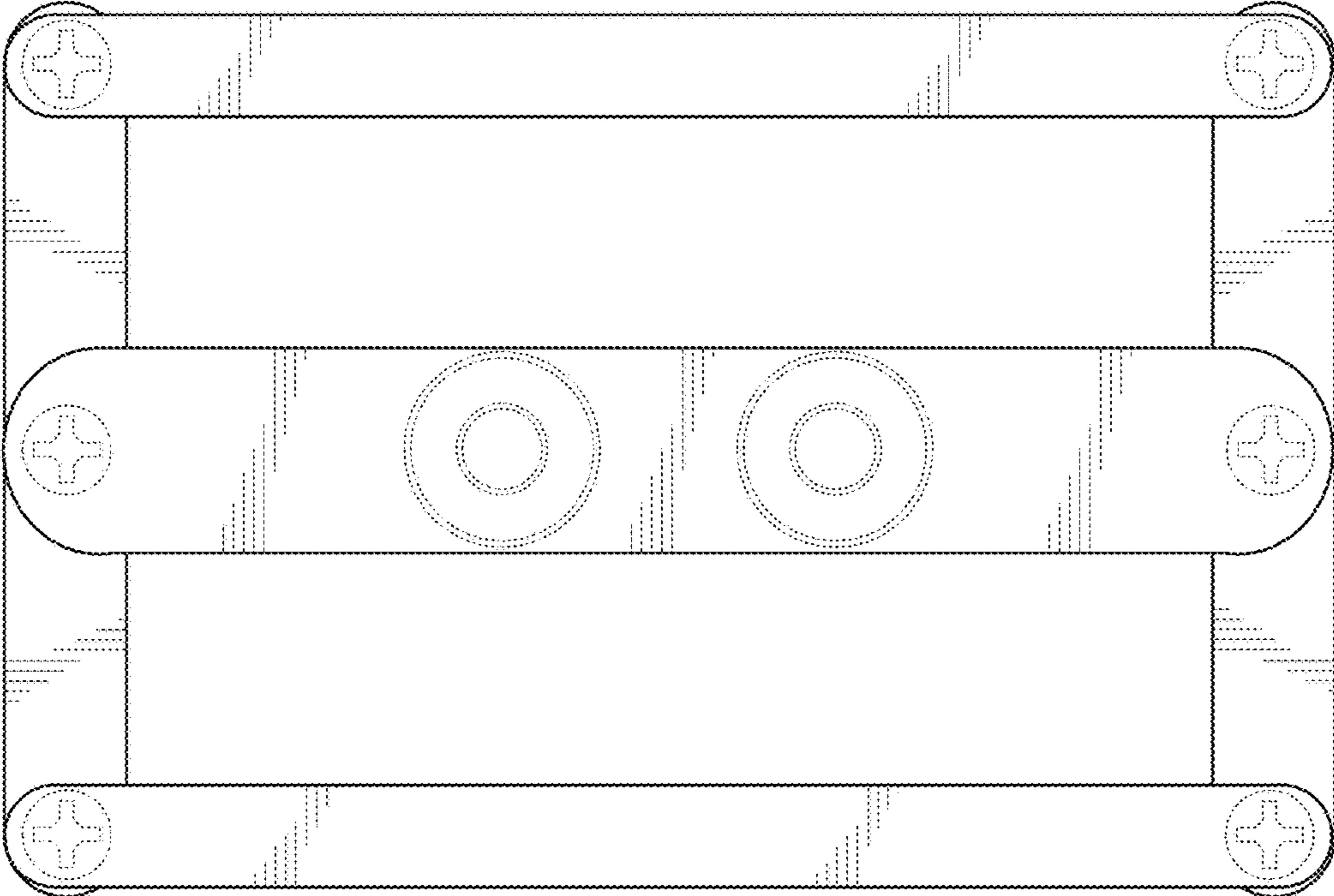
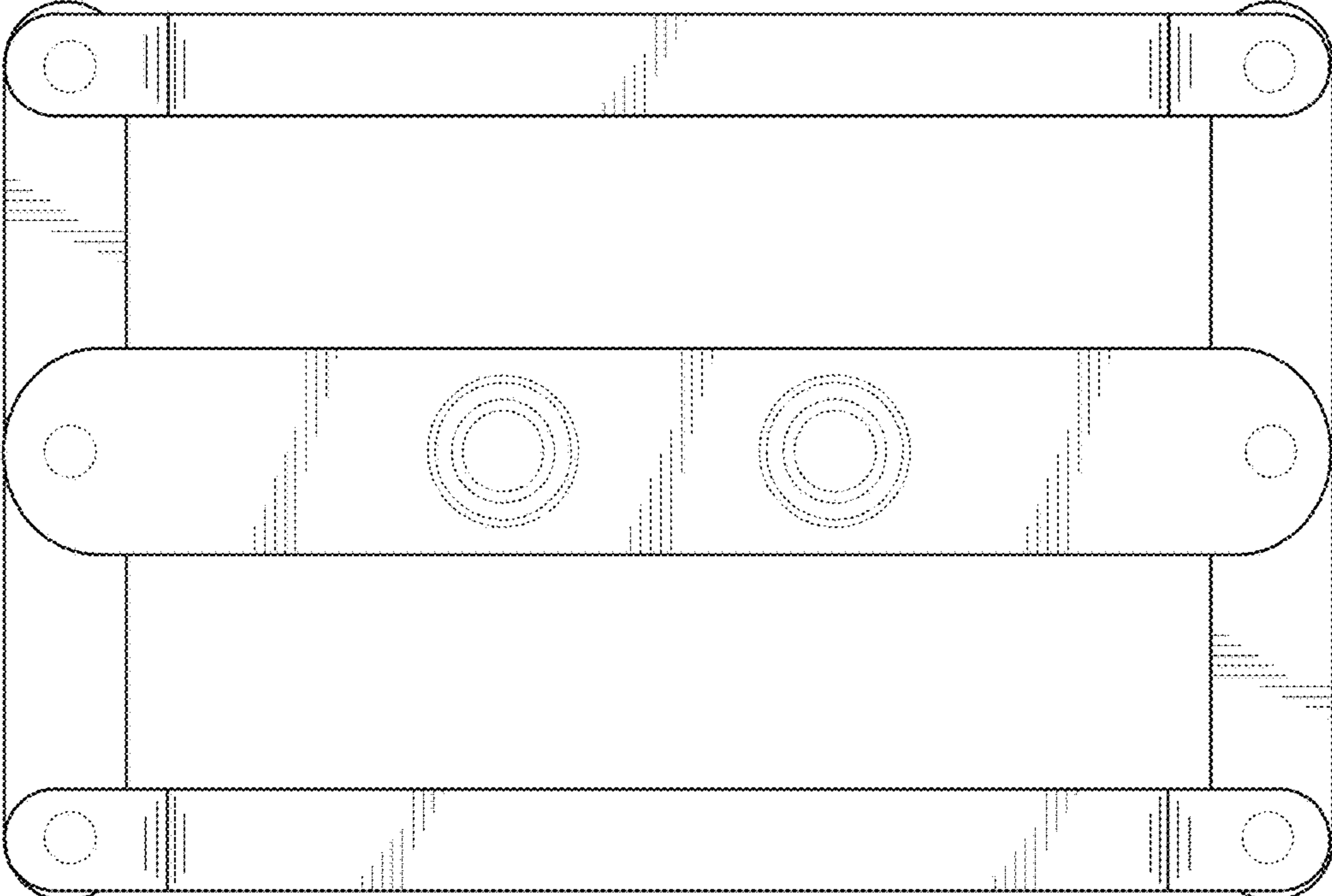


FIG. 5



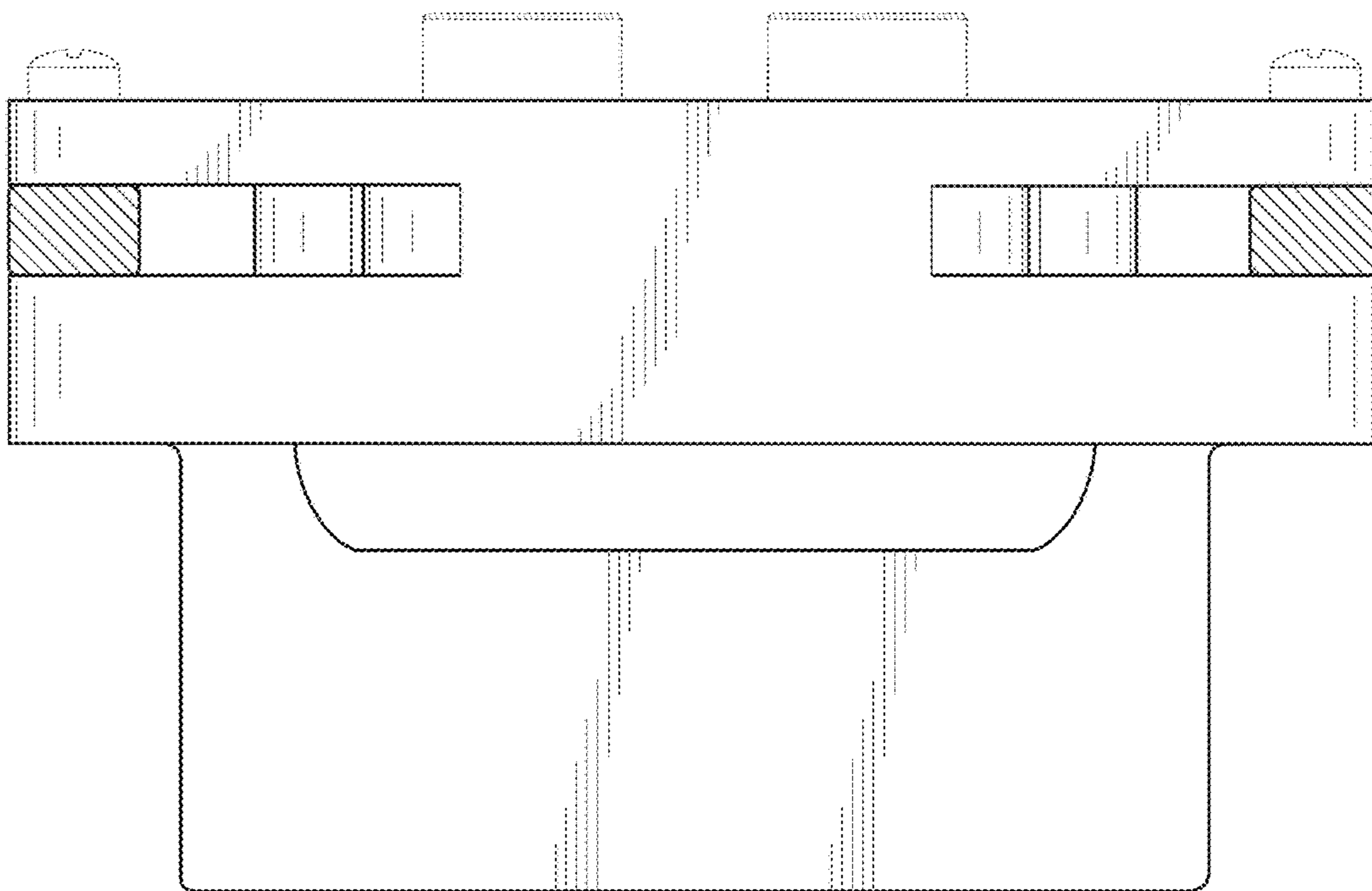


FIG. 6