

US00D804920S

(12) **United States Design Patent**
Valerie, Sr.

(10) **Patent No.:** **US D804,920 S**
(45) **Date of Patent:** **** Dec. 12, 2017**

(54) **APPLICATOR**

(71) Applicant: **Nunzio Valerie, Sr.**, Avondale, AZ (US)

(72) Inventor: **Nunzio Valerie, Sr.**, Avondale, AZ (US)

(**) Term: **15 Years**

(21) Appl. No.: **29/562,537**

(22) Filed: **Apr. 26, 2016**

(51) **LOC (10) Cl.** **08-05**

(52) **U.S. Cl.**

USPC **D8/14; D8/45**

(58) **Field of Classification Search**

USPC D8/14, 16, 18-20, 45; D32/40, 46, 48
CPC B05B 11/06; B05C 17/00; B44D 3/162
See application file for complete search history.

(56) **References Cited**

U.S. PATENT DOCUMENTS

- 2,390,921 A * 12/1945 Clark A45D 33/34
132/320
- 2,425,215 A * 8/1947 West B05C 17/10
15/245.1
- 2,590,977 A * 4/1952 Kay A47L 23/10
15/114
- 3,676,888 A * 7/1972 Akers B44D 3/105
15/144.1
- 4,014,616 A * 3/1977 Mast, Jr. B65D 83/04
15/229.13
- 4,053,242 A * 10/1977 Mast, Jr. A45D 33/00
15/104.94
- 4,097,951 A * 7/1978 Hurtt B05C 17/10
15/144.1
- D261,601 S * 11/1981 Kettlestrings D32/40
- D263,550 S * 3/1982 Zuhlsdorf D8/15
- D264,805 S * 6/1982 Annand D8/107
- 4,350,445 A * 9/1982 Olsson B01F 13/002
366/129

- D272,661 S * 2/1984 Cutler D24/119
- D276,564 S * 11/1984 Leininger D32/40
- D283,067 S * 3/1986 McLin D32/45
- D290,056 S * 5/1987 Hatfield D3/210
- D290,777 S * 7/1987 Lee D32/40
- D295,911 S * 5/1988 Zogg D32/40
- D297,801 S * 9/1988 Olsson D8/14
- 4,784,598 A * 11/1988 Kranz E04F 21/02
15/105.5
- D302,880 S * 8/1989 Terry D32/40
- D377,250 S * 1/1997 Bafle, Jr. D32/46
- 5,626,683 A * 5/1997 Blouin A47L 17/06
134/7
- D391,713 S * 3/1998 Laib D32/41
- 5,816,270 A * 10/1998 Nadel A45D 34/06
132/148
- D402,514 S * 12/1998 Killins D32/46
- 5,885,349 A * 3/1999 Giallourakis B05C 17/00
118/264
- 5,900,068 A * 5/1999 Thomas A45D 40/28
134/6

(Continued)

Primary Examiner — Philip S Hyder
Assistant Examiner — Roselynn Cody
(74) *Attorney, Agent, or Firm* — IPTechLaw

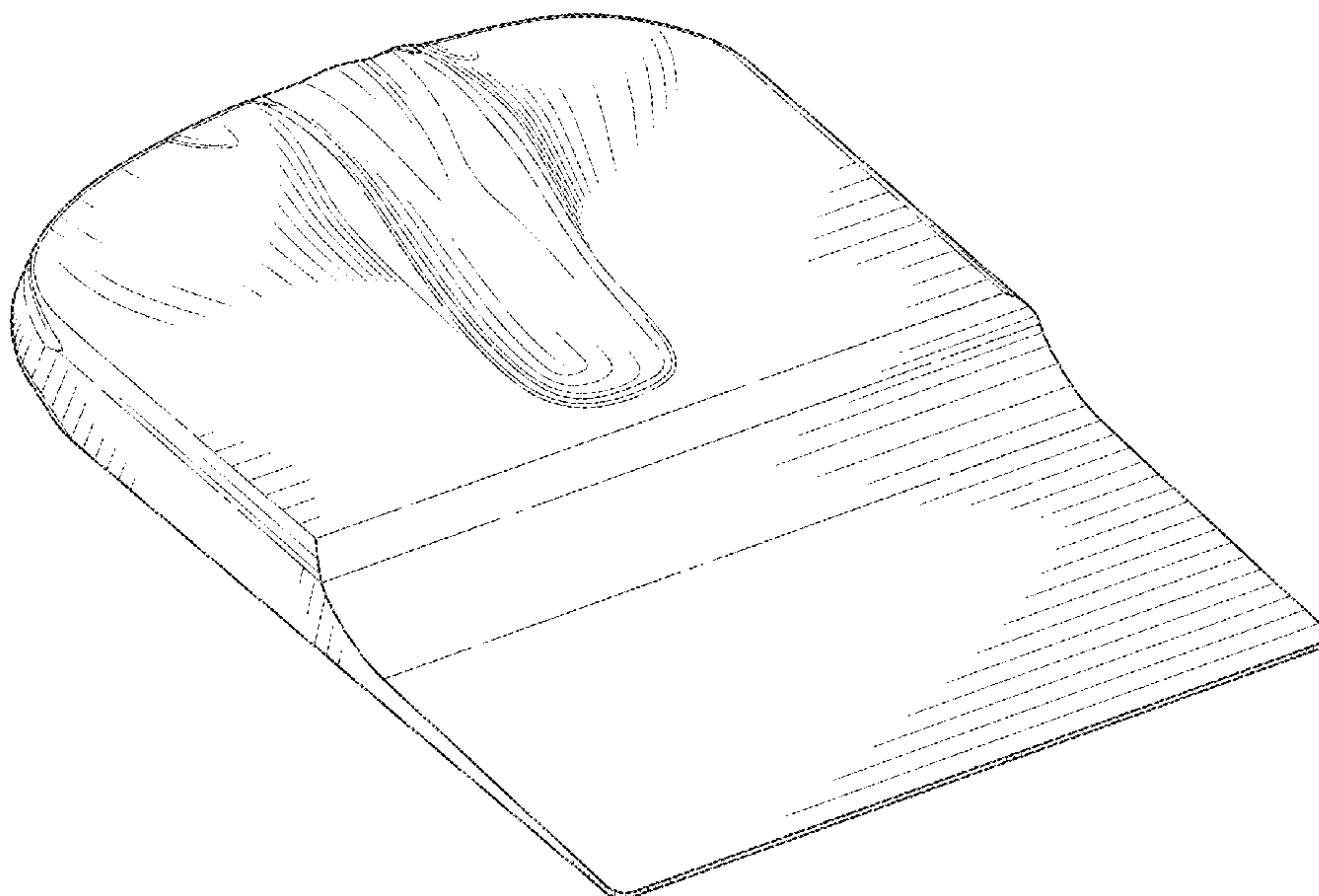
(57) **CLAIM**

The ornamental design for an applicator, as shown and described.

DESCRIPTION

FIG. 1 is a front perspective view of an embodiment of an applicator;
FIG. 2 is a top view thereof;
FIG. 3 is a bottom view thereof;
FIG. 4 is a left view thereof;
FIG. 5 is a right view thereof;
FIG. 6 is a back view thereof; and,
FIG. 7 is a front view thereof.

1 Claim, 5 Drawing Sheets



(56)

References Cited

U.S. PATENT DOCUMENTS

5,957,605 A * 9/1999 Cohen A45D 34/04
 401/132
 D416,112 S * 11/1999 Holliday D32/19
 D416,118 S * 11/1999 Paden D21/385
 6,036,391 A * 3/2000 Holliday A46B 11/0013
 401/184
 D437,095 S * 1/2001 Osiecki D32/40
 D439,715 S * 3/2001 Calvert D32/52
 6,272,715 B1 * 8/2001 Polzin B05C 17/00
 15/143.1
 D450,412 S * 11/2001 Hajduk D32/41
 D457,731 S * 5/2002 Isaac D32/40
 D464,490 S * 10/2002 Isaac D32/40
 D474,031 S * 5/2003 Wassil D4/119
 D475,493 S * 6/2003 Barsamian D32/52
 6,735,840 B2 * 5/2004 Gibbs B44D 3/162
 15/236.07
 D498,652 S * 11/2004 Tilton D8/45
 D502,580 S * 3/2005 Williams D32/41
 D509,024 S * 8/2005 Pimentel D28/4

D519,794 S * 5/2006 Roberts D8/10
 D545,518 S * 6/2007 Ayala D32/40
 D547,147 S * 7/2007 Tran D8/19
 D552,316 S * 10/2007 Bloch D32/46
 7,418,760 B2 * 9/2008 Birnbaum A47L 13/08
 15/236.07
 D582,564 S * 12/2008 Potter D24/216
 D583,065 S * 12/2008 Potter D24/216
 D584,931 S * 1/2009 Richardson D8/19
 D624,720 S * 9/2010 Motsenbocker D32/46
 D707,506 S * 6/2014 Masalin D8/10
 D738,171 S * 9/2015 Masalin D8/10
 9,131,821 B2 * 9/2015 Powell A47L 13/16
 D741,547 S * 10/2015 Choi D28/57
 D749,922 S * 2/2016 Masalin D8/10
 D758,008 S * 5/2016 Kolby D28/7
 D787,743 S * 5/2017 Rosenthal D28/7
 D789,600 S * 6/2017 Nicoline D28/7
 2013/0125911 A1 * 5/2013 Mammone A45D 33/005
 132/200
 2013/0343797 A1 * 12/2013 Samangoie A45D 40/26
 401/6

* cited by examiner

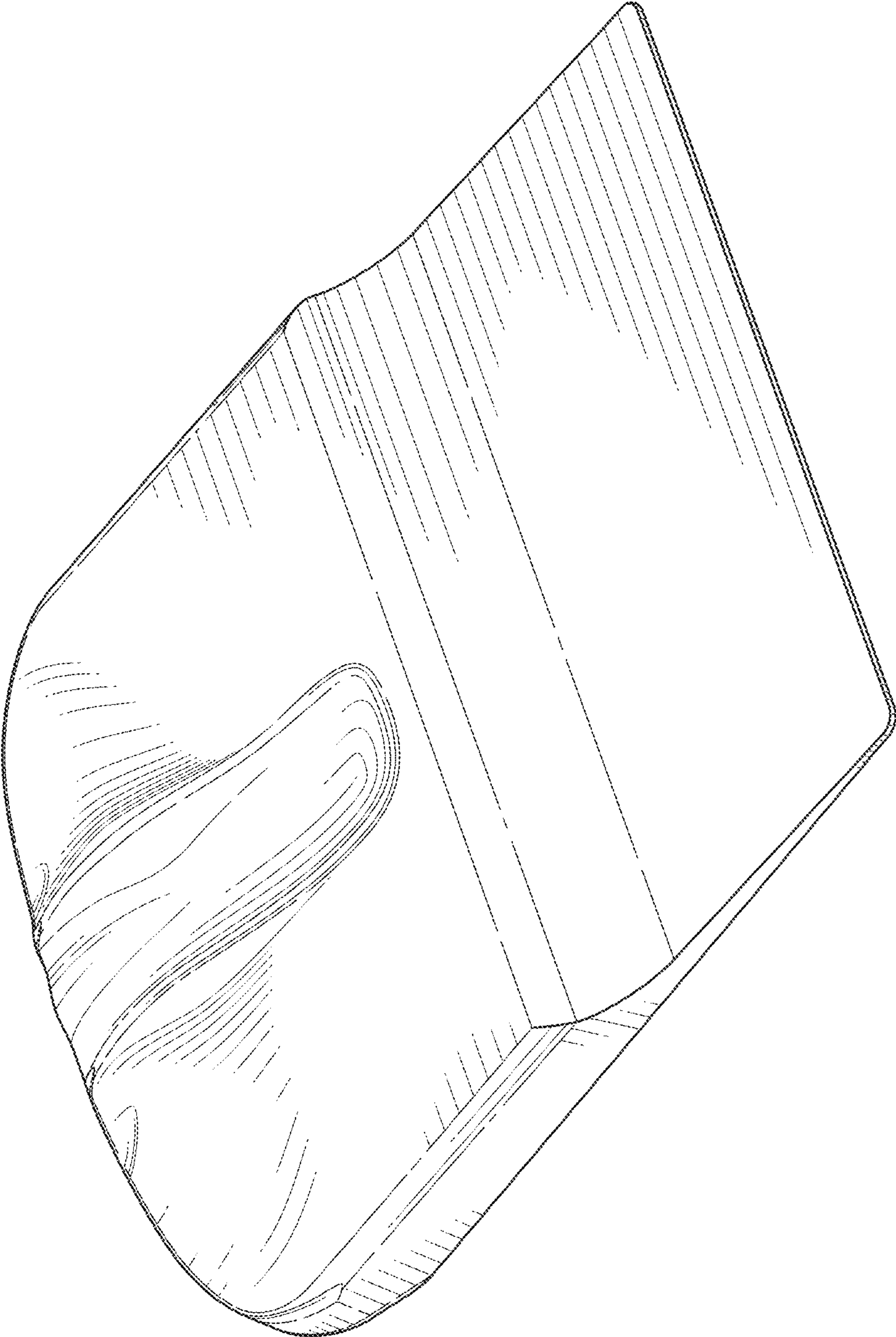


FIG. 1

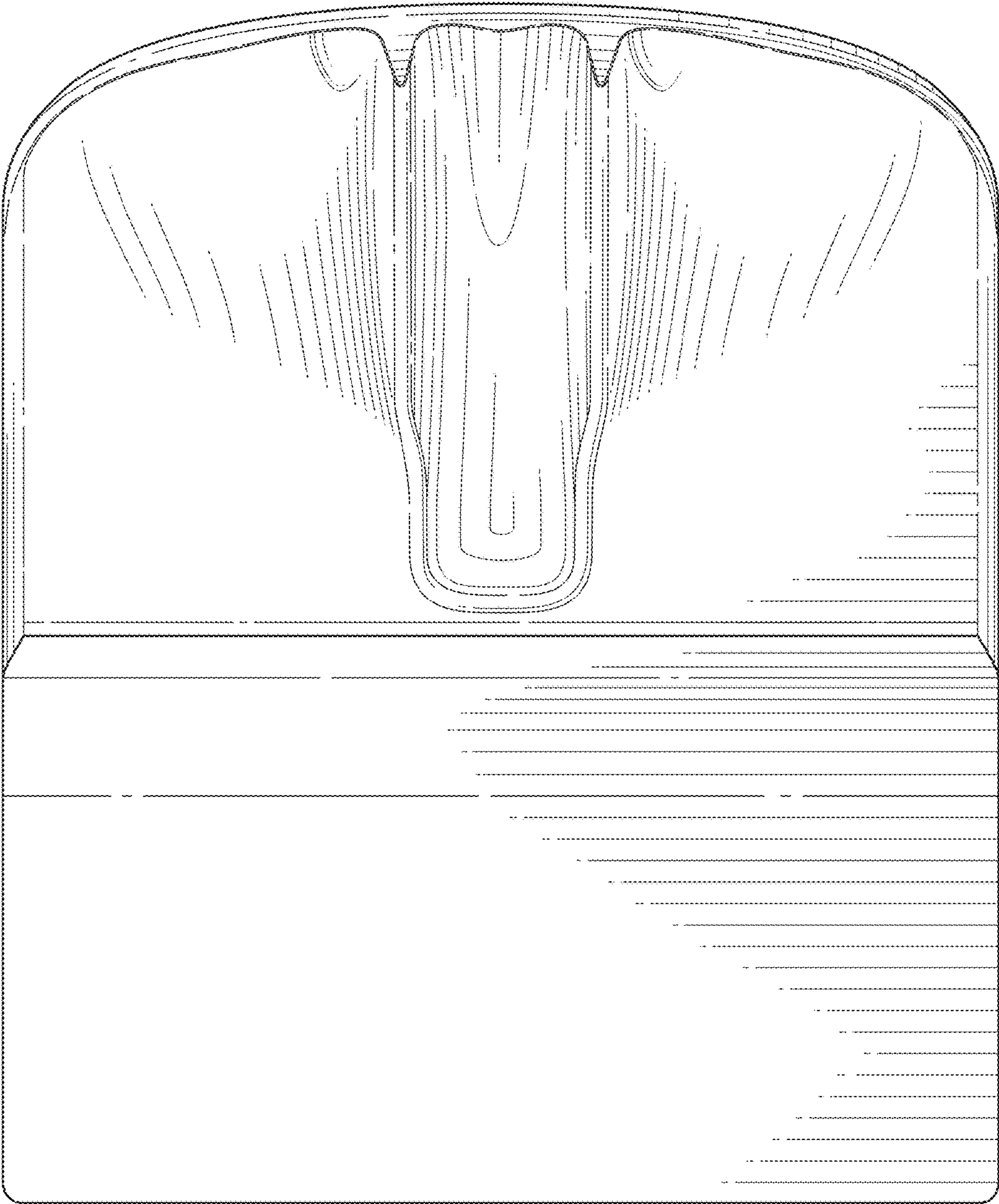


FIG. 2

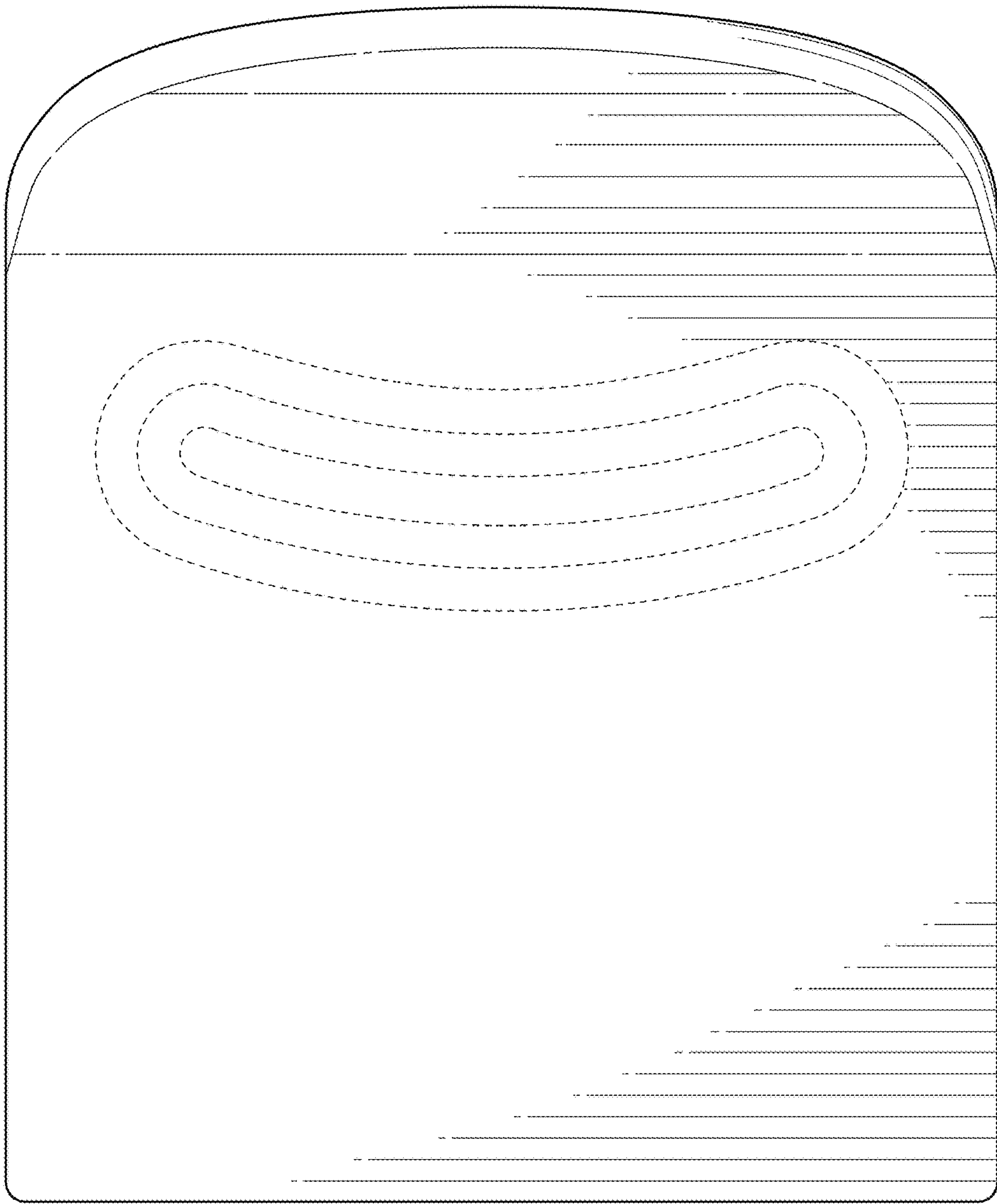


FIG. 3

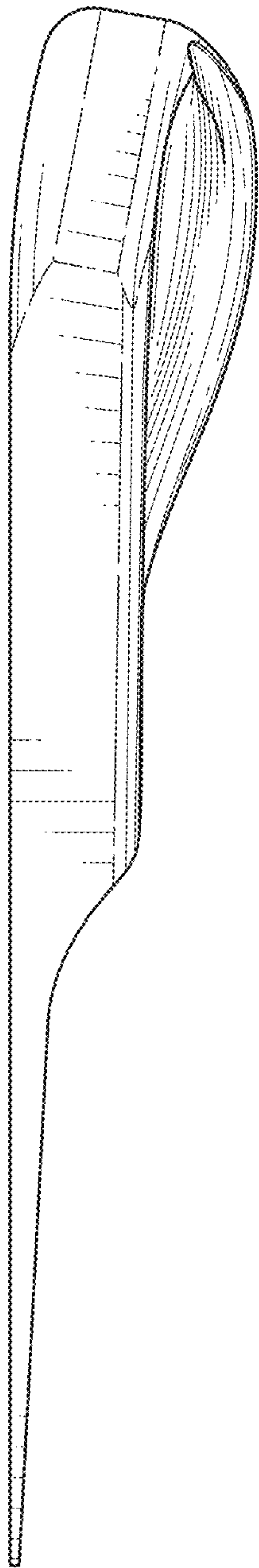


FIG. 4

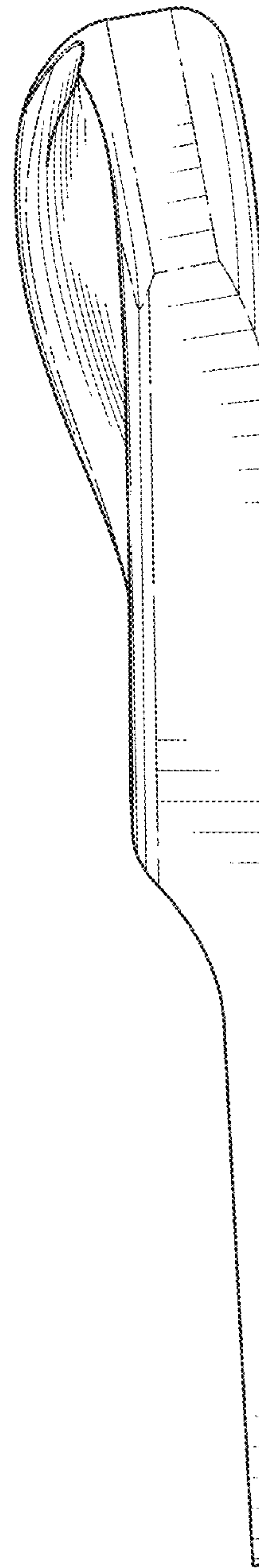


FIG. 5

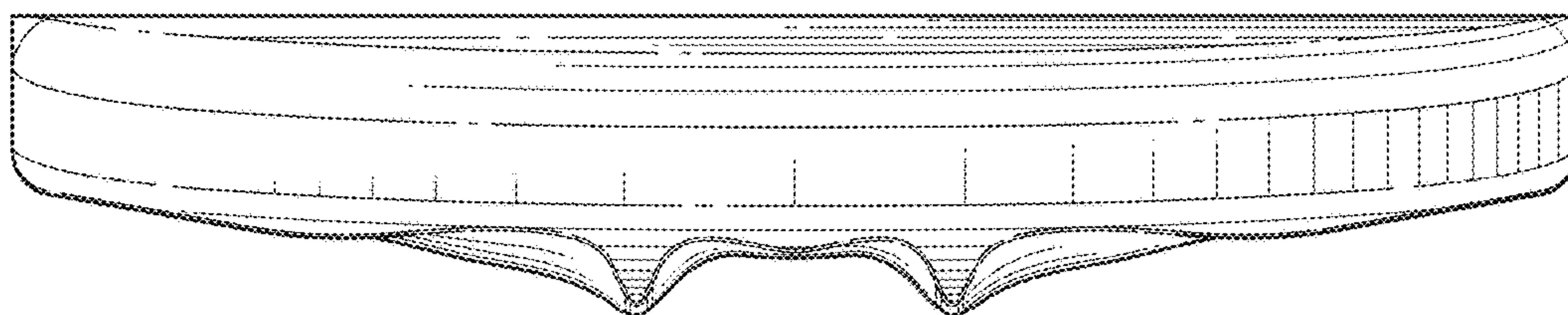


FIG. 6

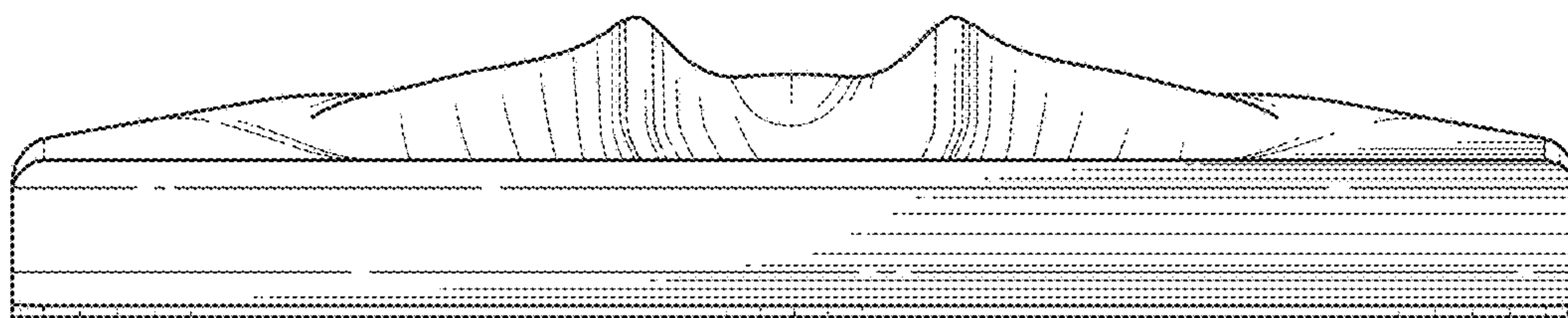


FIG. 7