



US00D804919S

(12) **United States Design Patent**
Cigarini et al.

(10) **Patent No.:** **US D804,919 S**

(45) **Date of Patent:** **** Dec. 12, 2017**

- (54) **HEAD TRIMMER**
- (71) Applicant: **TECOMEC S.R.L.**, Reggio Emilia (RE) (IT)
- (72) Inventors: **Enrico Cigarini**, Reggio Emilia (IT); **Salvatore Longo**, Cadelbosco Sopra (IT)
- (73) Assignee: **TECOMEC S.R.L.**, Reggio Emilia (IT)
- (**) Term: **15 Years**
- (21) Appl. No.: **29/563,308**
- (22) Filed: **May 4, 2016**
- (30) **Foreign Application Priority Data**

Mar. 18, 2016 (EM) 003034214-0003

(51) **LOC (10) Cl.** **08-01**

(52) **U.S. Cl.**
USPC **D8/8**

(58) **Field of Classification Search**
USPC D8/1, 7, 8, 9, 499; D15/1, 17
CPC A01D 34/412; A01D 34/416; A01D 34/01;
A01D 34/015; A01D 34/4161; A01D
34/4165; A01D 34/4166; A01D 34/4167;
A01D 34/84; A01G 3/00; A01G 3/053;
Y10T 83/9324

See application file for complete search history.

(56) **References Cited**

U.S. PATENT DOCUMENTS

- 4,152,832 A * 5/1979 Akaike A01D 34/416
30/276
- D254,173 S 2/1980 Proulx
- 4,195,408 A * 4/1980 Palmieri A01D 34/4161
30/276
- 4,276,691 A * 7/1981 Palmieri A01D 34/4163
30/347

- 4,349,962 A * 9/1982 Itagaki A01D 34/4163
30/276
- D346,727 S 5/1994 Eriksson
- D479,961 S 9/2003 Iacona
- D482,581 S 11/2003 Nystrom
- D482,941 S 12/2003 Nystrom
- D502,368 S 3/2005 Nystrom et al.
- D598,255 S 8/2009 Alliss
- 7,640,668 B2 1/2010 Iacona
- D630,068 S 1/2011 Proulx
- D638,678 S 5/2011 Proulx
- D638,679 S 5/2011 Proulx
- D653,920 S 2/2012 Cigarini
- D668,517 S * 10/2012 Landberg D8/8
- 8,689,451 B2 4/2014 Cigarini
- D715,608 S 10/2014 Cigarini
- 8,869,405 B2 10/2014 Codeluppi et al.

(Continued)

FOREIGN PATENT DOCUMENTS

WO 2013179318 A1 12/2013

Primary Examiner — Sandra Snapp

Assistant Examiner — Ieisha Price

(74) *Attorney, Agent, or Firm* — Pearne & Gordon LLP

(57) **CLAIM**

The ornamental design for a head trimmer, as shown and described.

DESCRIPTION

FIG. 1 is a perspective view of a head trimmer, showing our new design;

FIG. 2 is a bottom view thereof;

FIG. 3 is a front view thereof;

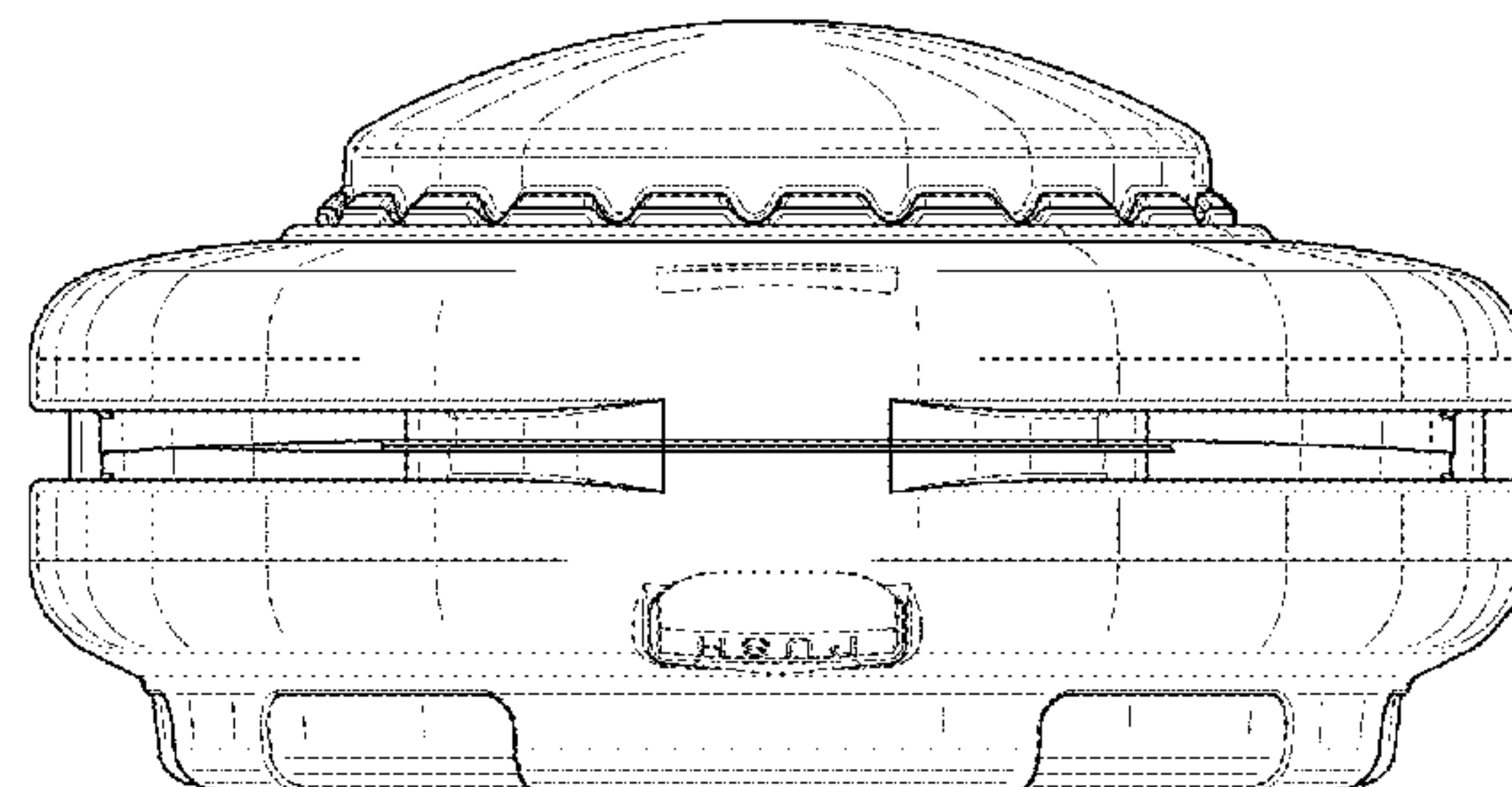
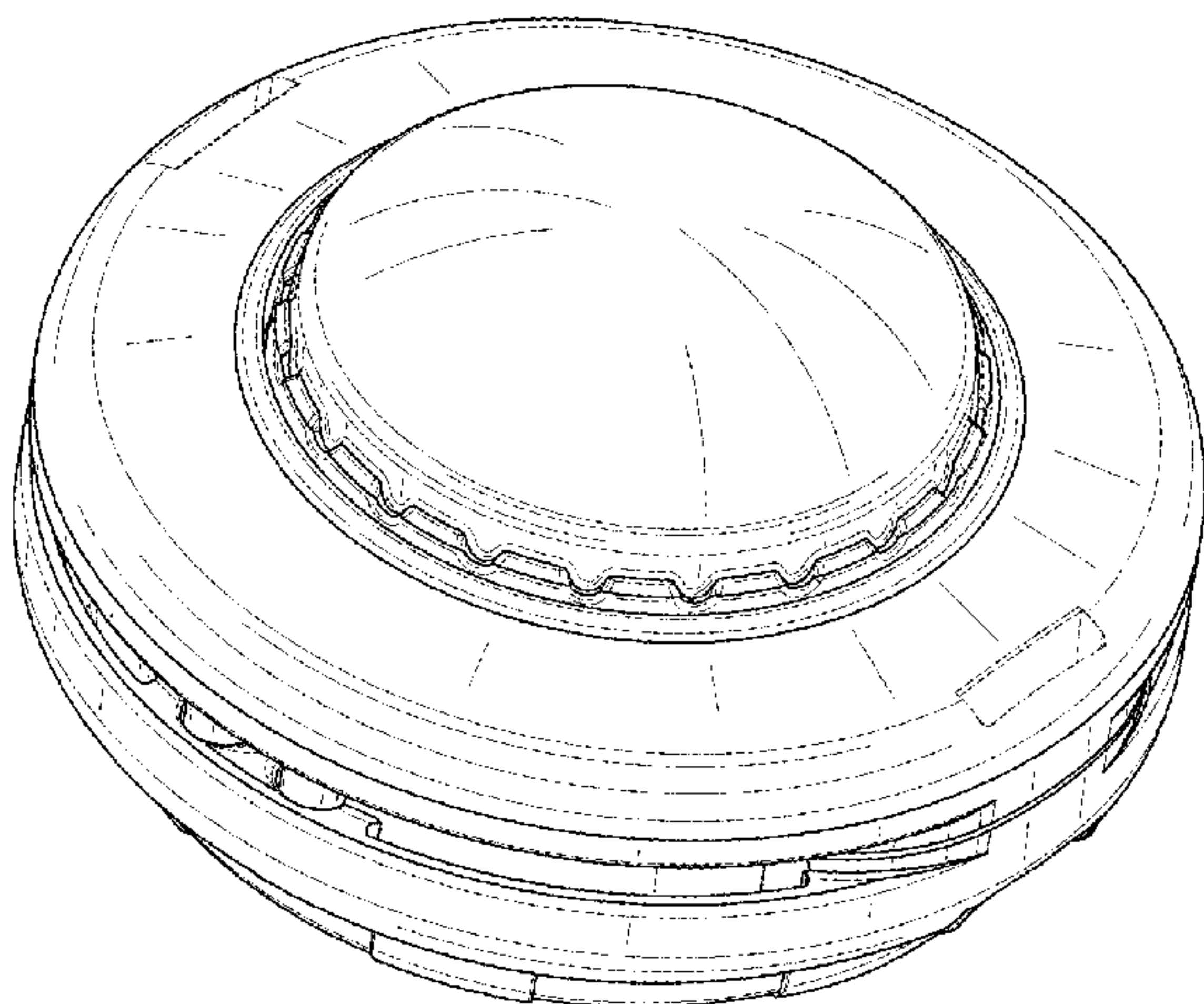
FIG. 4 is a right side view thereof, the left side view being identical thereto;

FIG. 5 is a back view thereof; and,

FIG. 6 is a top view thereof.

The broken lines in the drawings illustrate portions of the head trimmer and form no part of the claimed design.

1 Claim, 3 Drawing Sheets



(56)

References Cited

U.S. PATENT DOCUMENTS

D720,970 S	1/2015	Hermann	2011/0214295 A1	9/2011	Proulx
8,925,206 B2	1/2015	Cigarini	2011/0225832 A1	9/2011	Alliss
D727,116 S	4/2015	Tinius	2011/0302791 A1	12/2011	Proulx et al.
D727,695 S	4/2015	Tinius	2012/0131804 A1	5/2012	Cigarini
D759,445 S	6/2016	Tinius	2014/0215835 A1*	8/2014	Racov A01D 34/416 30/276
D763,640 S *	8/2016	Cigarini	2014/0250699 A1	9/2014	Weimer et al.
D776,995 S *	1/2017	Schoch	2014/0259692 A1*	9/2014	Racov B25F 5/008 30/277.4
D776,997 S	1/2017	Tinius	2015/0010199 A1	1/2015	Kim et al.
2002/0189107 A1*	12/2002	Arnetoli A01D 34/4163 30/276	2015/0223395 A1	8/2015	Pellenc et al.
2007/0214655 A1	9/2007	Arnetoli	2015/0289446 A1	10/2015	Duvall
2008/0053052 A1	3/2008	Cigarini	2015/0327436 A1	11/2015	Skinner et al.
2009/0172955 A1	7/2009	Morris et al.	2016/0106032 A1	4/2016	Cigarini
2010/0154229 A1	6/2010	Iacona	2016/0106033 A1	4/2016	Longo
2010/0180451 A1	7/2010	Reynolds et al.	2016/0106035 A1	4/2016	Longo
2011/0000091 A1	1/2011	Proulx	2016/0143219 A1*	5/2016	Yuan A01D 34/4165 30/276
2011/0119932 A1	5/2011	Pfaltzgraff et al.	2016/0235001 A1*	8/2016	Cigarini A01D 34/416

* cited by examiner

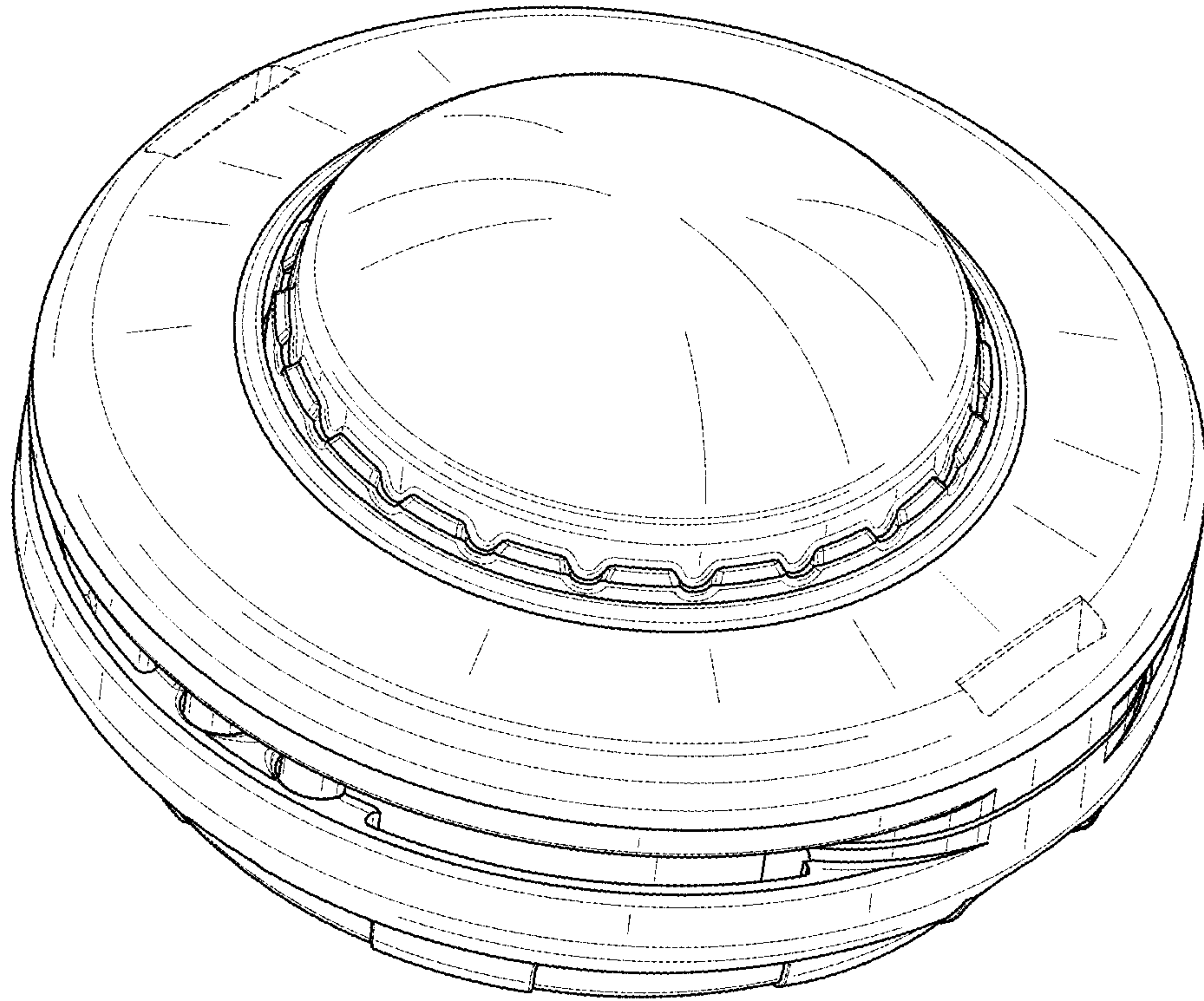


FIG. 1

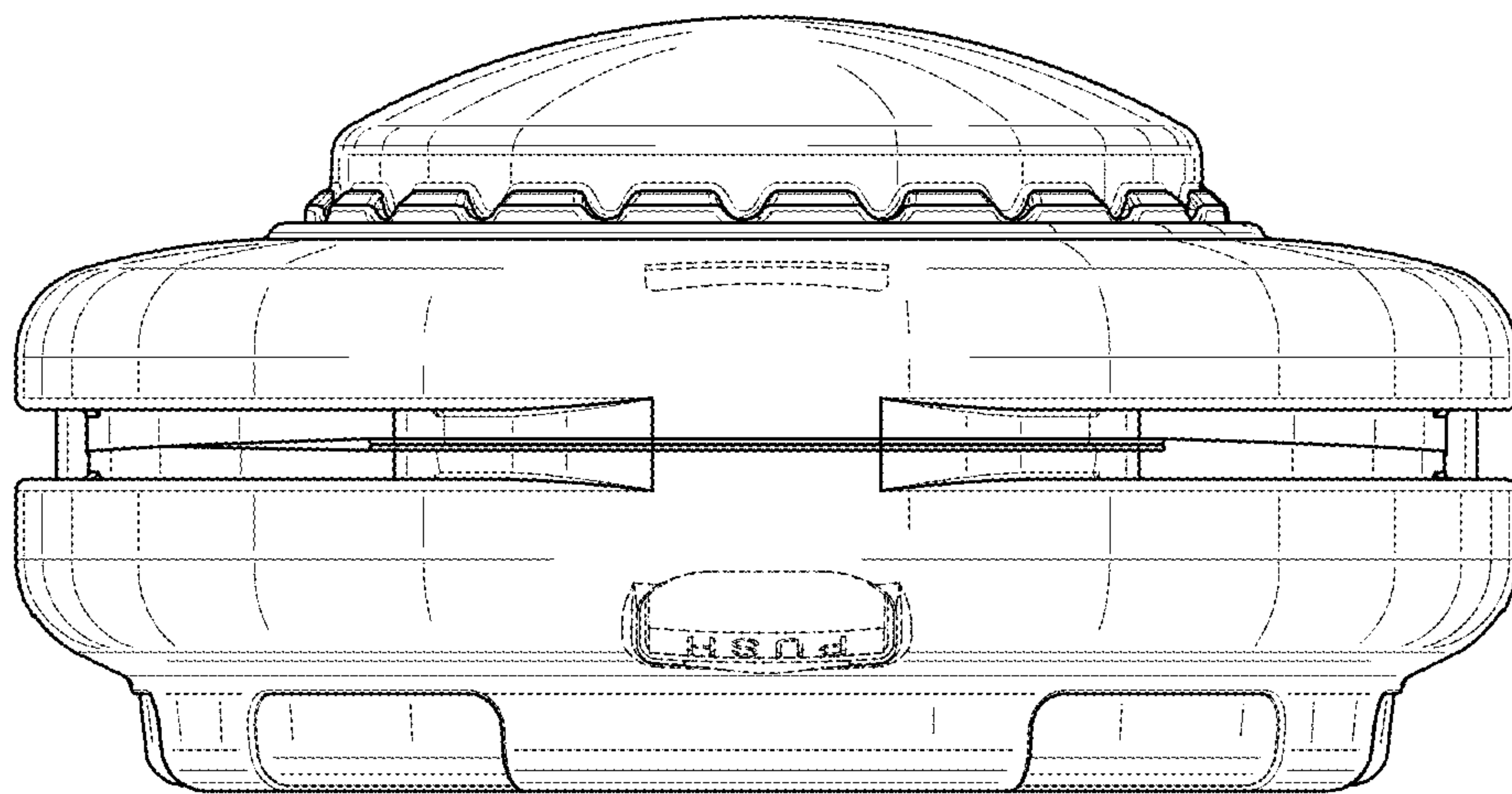


FIG. 3

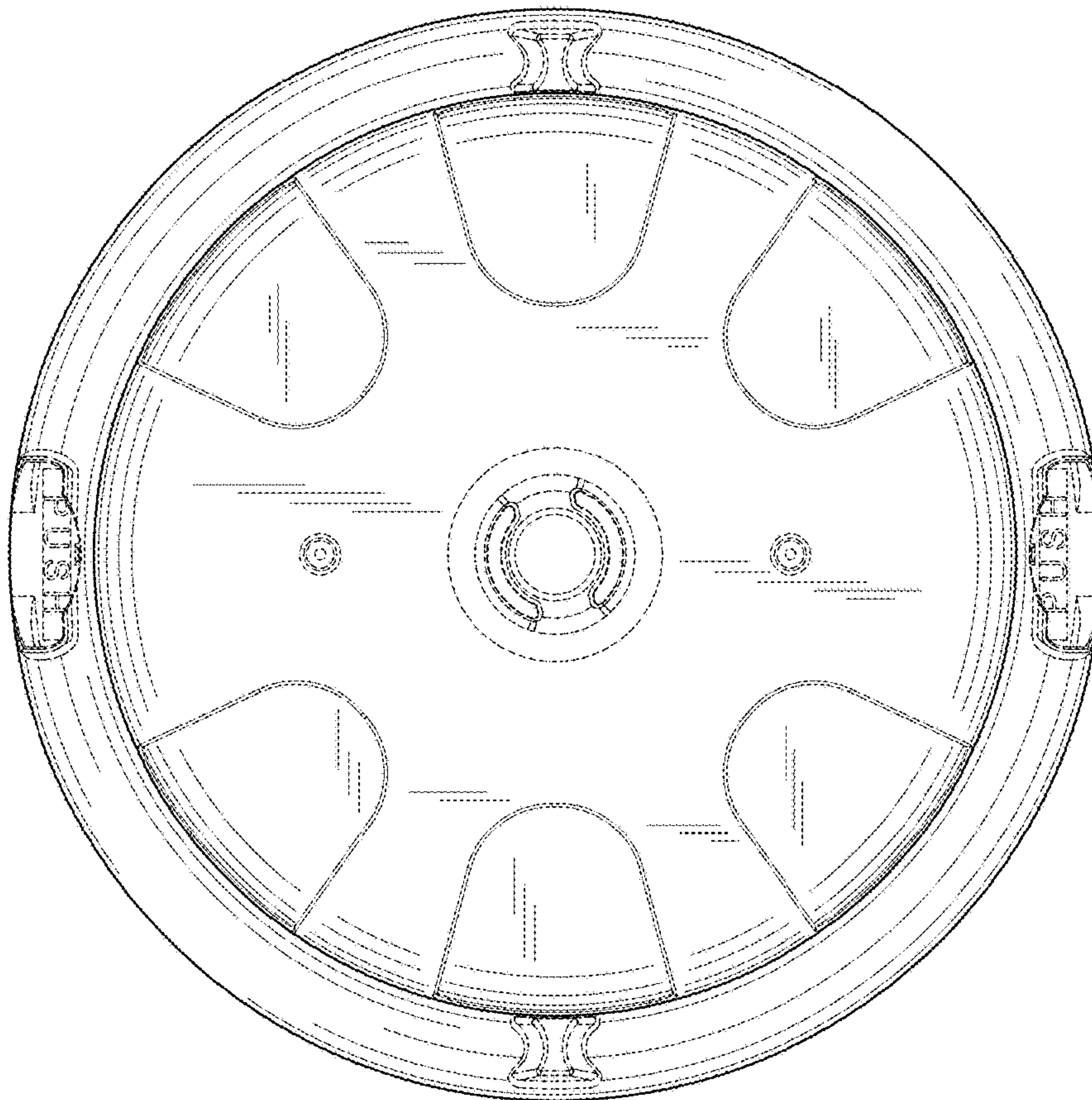


FIG. 2

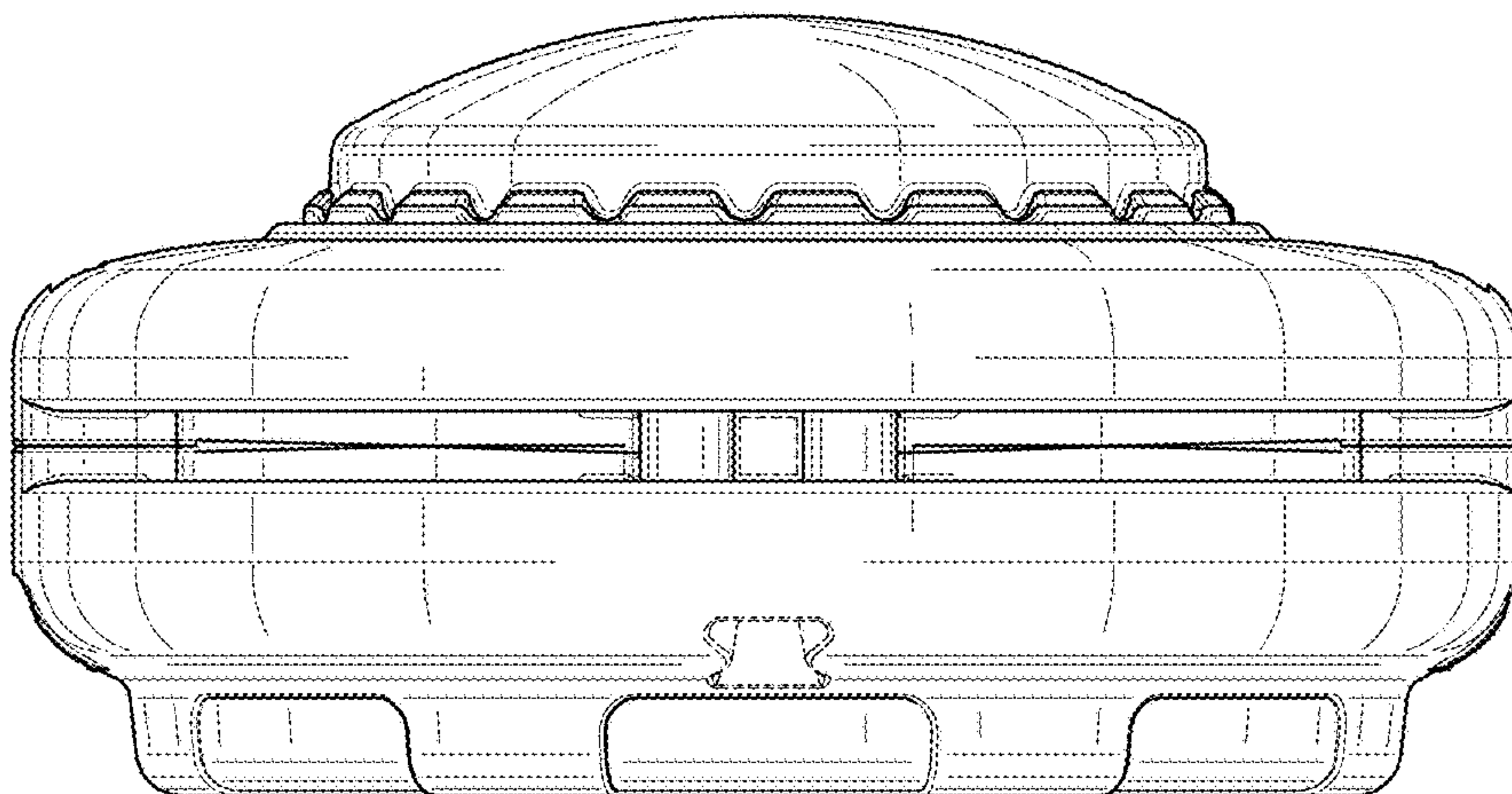


FIG. 4

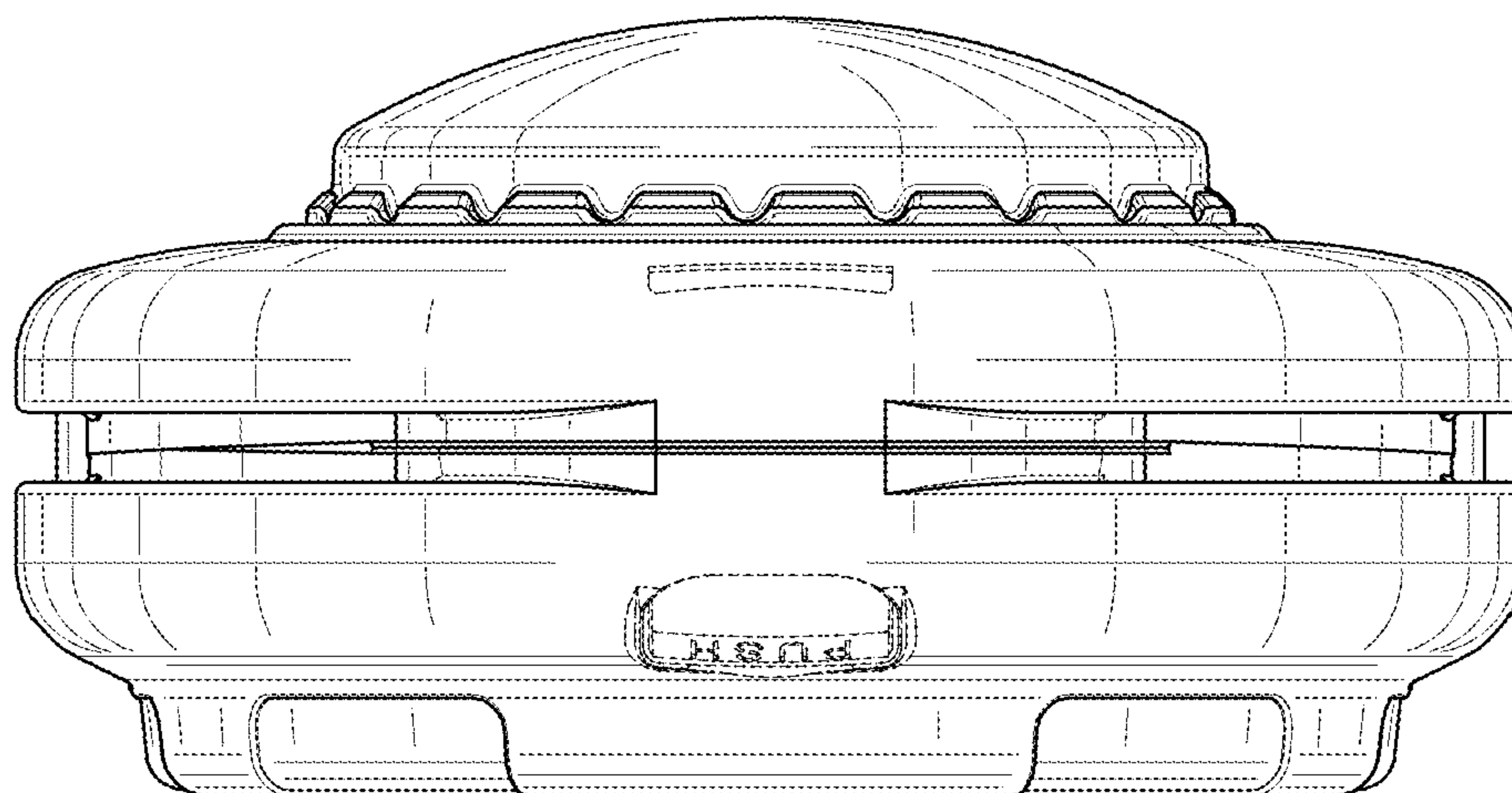


FIG. 5

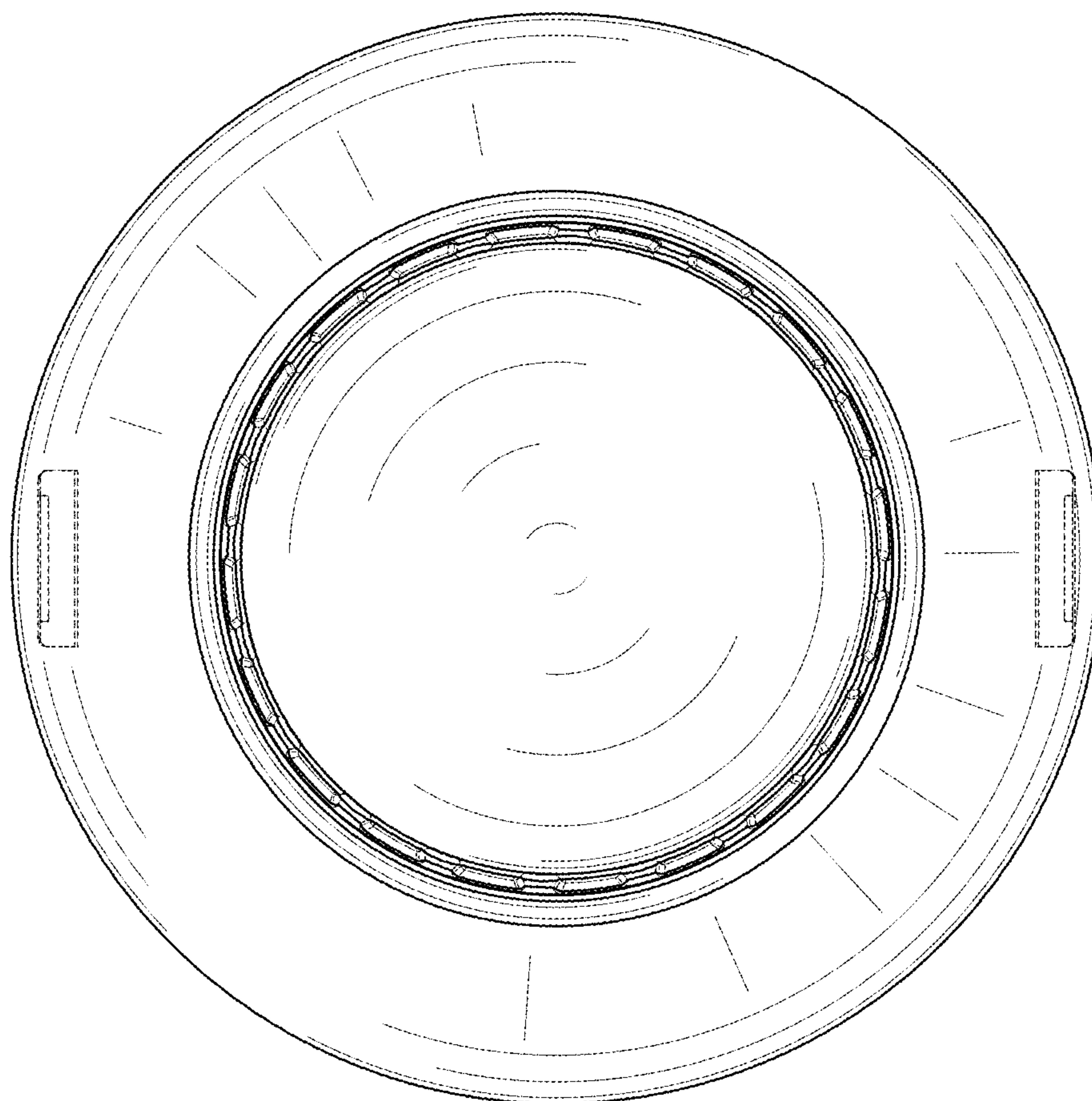


FIG. 6