



US00D804917S

(12) **United States Design Patent** (10) **Patent No.:** **US D804,917 S**
Treacy et al. (45) **Date of Patent:** **** Dec. 12, 2017**

(54) **SALAD DRESSING MIXING DEVICE**
(71) Applicants: **Lyndon Treacy**, Brooklyn, NY (US);
Paul Mulhauser, New York, NY (US);
Justin Zernhelt, New York, NY (US)
(72) Inventors: **Lyndon Treacy**, Brooklyn, NY (US);
Paul Mulhauser, New York, NY (US);
Justin Zernhelt, New York, NY (US)

D687,259 S * 8/2013 Hauser D7/376
D698,250 S * 1/2014 Wade D9/435
D701,727 S * 4/2014 Gilbert D7/300.1
RE45,055 E * 8/2014 Roth D7/392.1
D723,929 S * 3/2015 Blachford D9/529
D784,143 S * 4/2017 de Cleir D9/529
9,643,141 B2 * 5/2017 Kershaw B01F 13/0022
2006/0198241 A1 * 9/2006 Krishnachaitanya . A47J 43/046
366/205

(73) Assignee: **HELEN OF TROY LIMITED**, St.
Michael (BB)
(**) Term: **15 Years**

(21) Appl. No.: **29/557,127**

(22) Filed: **Mar. 6, 2016**

(51) **LOC (10) Cl.** **07-04**

(52) **U.S. Cl.**
USPC **D7/669**

(58) **Field of Classification Search**
USPC ... D22/510, 538, 546, 300.1, 312, 313, 316,
D22/321, 322, 376, 377; D9/523, 529,
D9/537, 539; D26/21
CPC .. A47J 43/046; A47J 43/0722; A47J 43/0727;
A47J 43/085

See application file for complete search history.

(56) **References Cited**

U.S. PATENT DOCUMENTS

5,407,270 A * 4/1995 Barile A47J 43/27
366/247
D449,762 S * 10/2001 Jacober D7/376
D547,952 S * 8/2007 Hrymoc D4/116
D640,136 S * 6/2011 Liba D9/454
D674,241 S * 1/2013 Bickert D7/510

OTHER PUBLICATIONS

Crate&Barrel, OXO® Twist & Pour Salad Dressing Mixer, Publication date unknown, [site visited Jun. 28, 2017], Available on the Internet URL:<<https://www.crateandbarrel.com/oxo-twist-and-pour-salad-dressing-mixer/s207560>>.*

* cited by examiner

Primary Examiner — Karen S Acker
Assistant Examiner — Steven B Reinholdt, Jr.

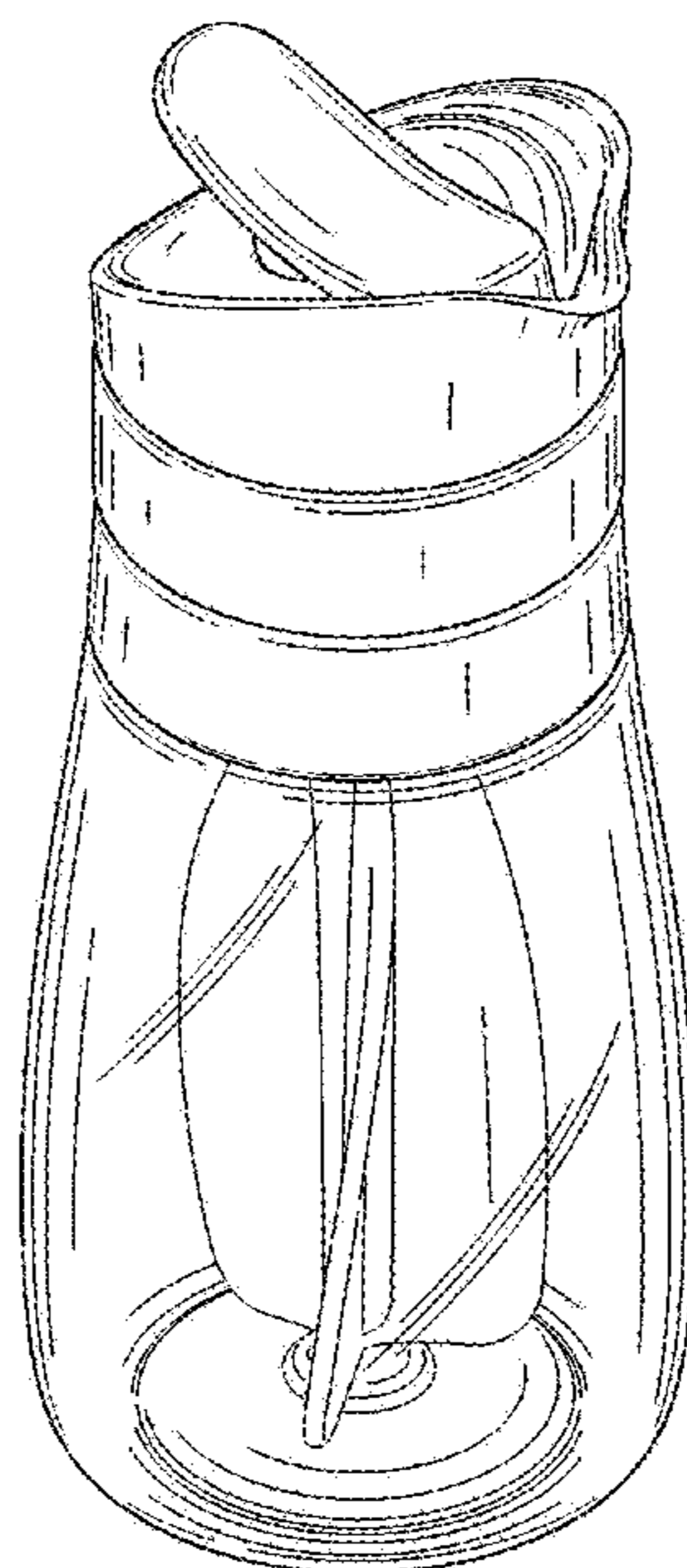
(57) **CLAIM**

The ornamental design for a salad dressing mixing device, as shown, and described.

DESCRIPTION

FIG. 1 is a perspective view of the salad dressing mixing device;
FIG. 2 is a front view of the salad dressing mixing device;
FIG. 3 is a rear view of the salad dressing mixing device;
FIG. 4 is a left side view of the salad dressing mixing device;
FIG. 5 is a right side view of the salad dressing mixing device;
FIG. 6 is a top view of the salad dressing mixing device; and,
FIG. 7 is a bottom view of the salad dressing mixing device.
The broken lines represent portions of the salad dressing mixing device that form no part of the claimed design.

1 Claim, 7 Drawing Sheets



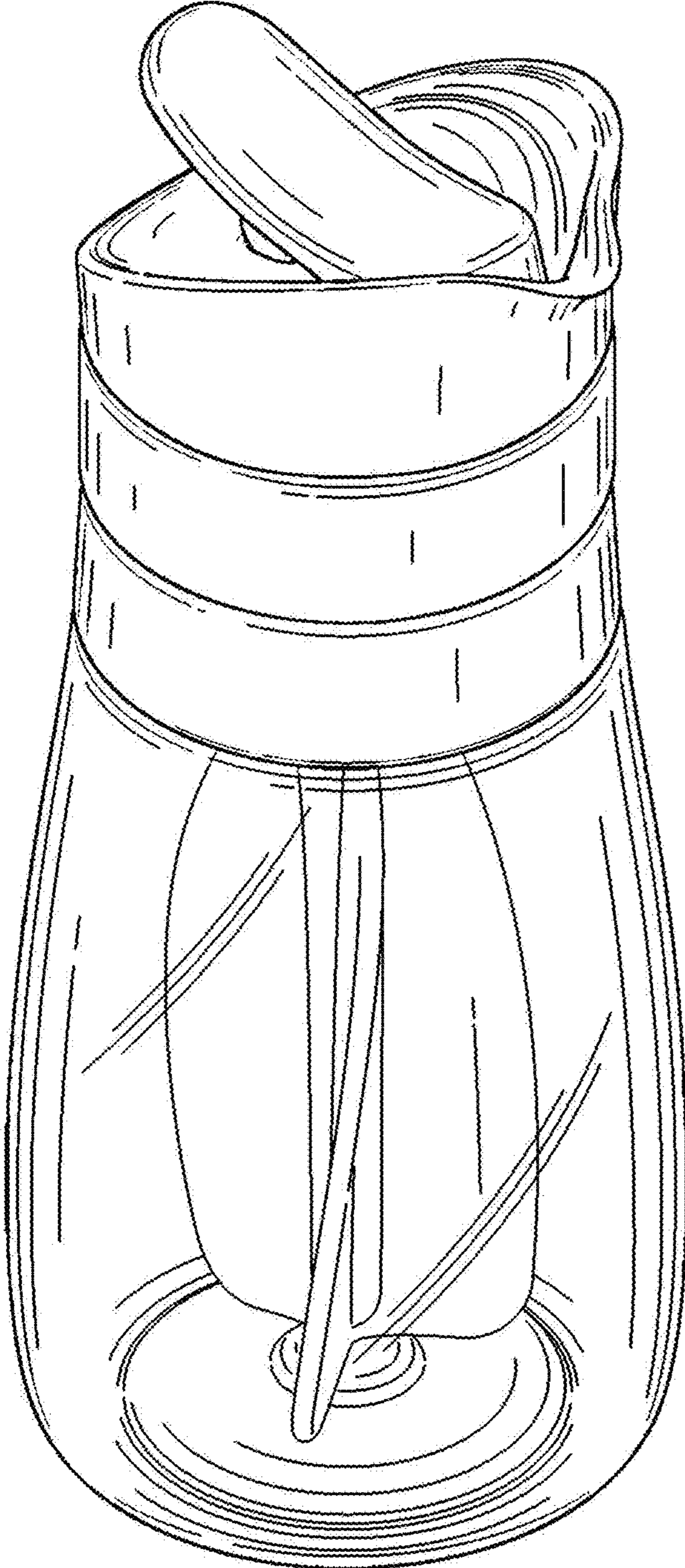


Figure 1

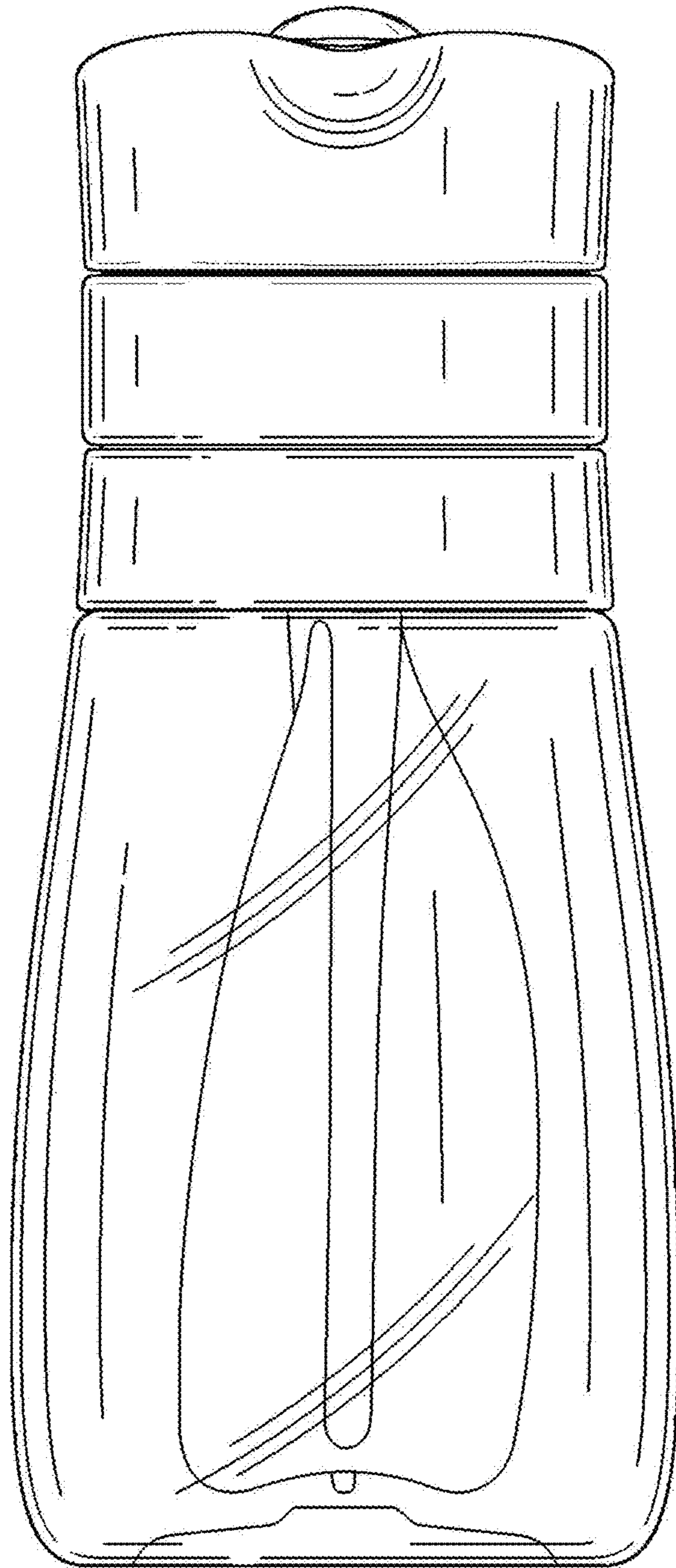


Figure 2

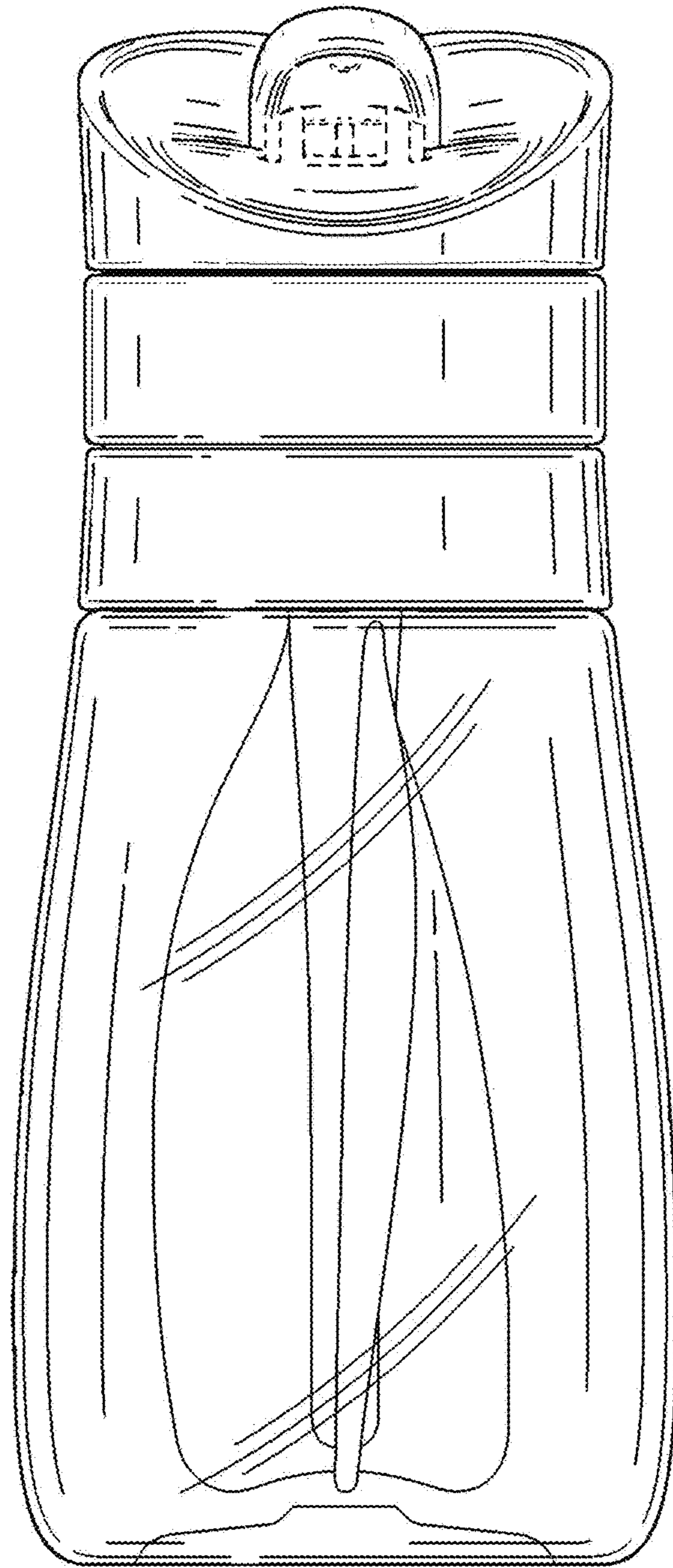


Figure 3

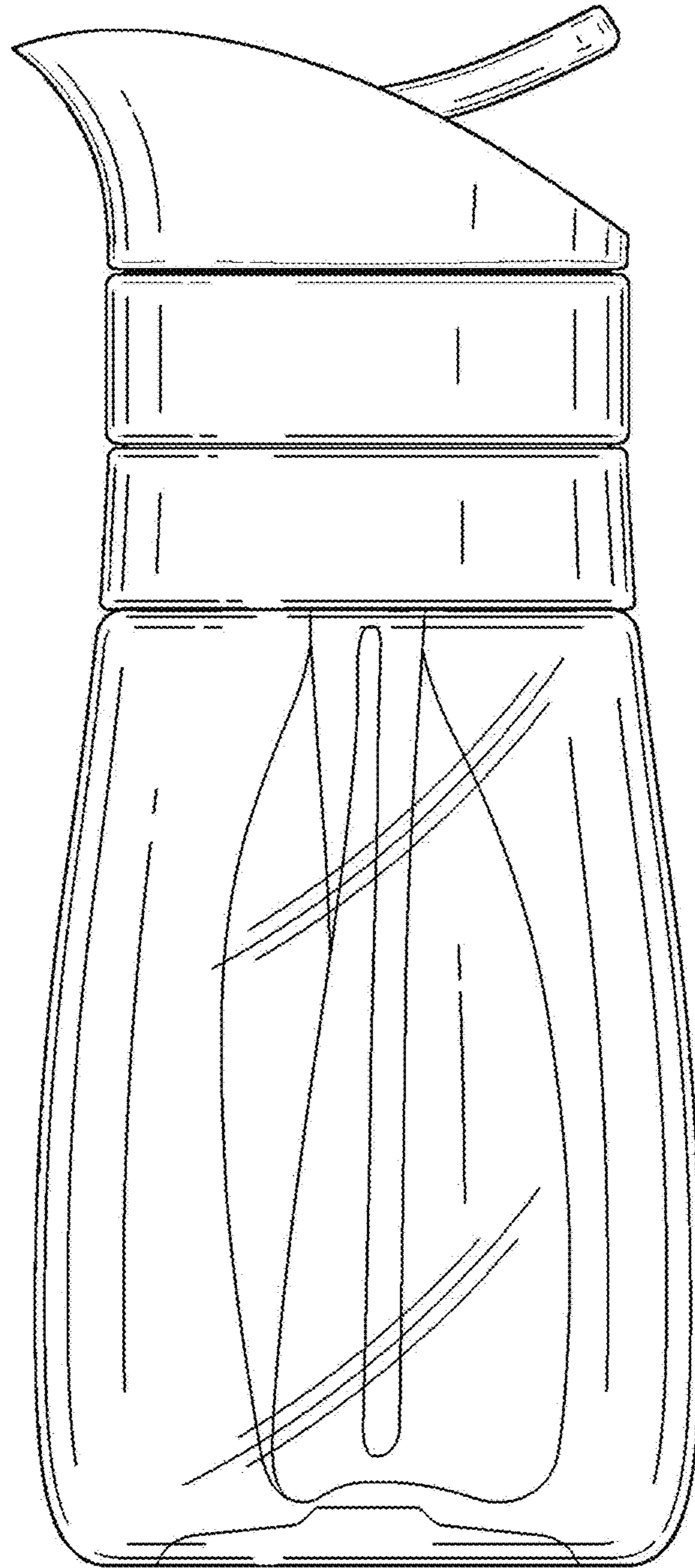


Figure 4

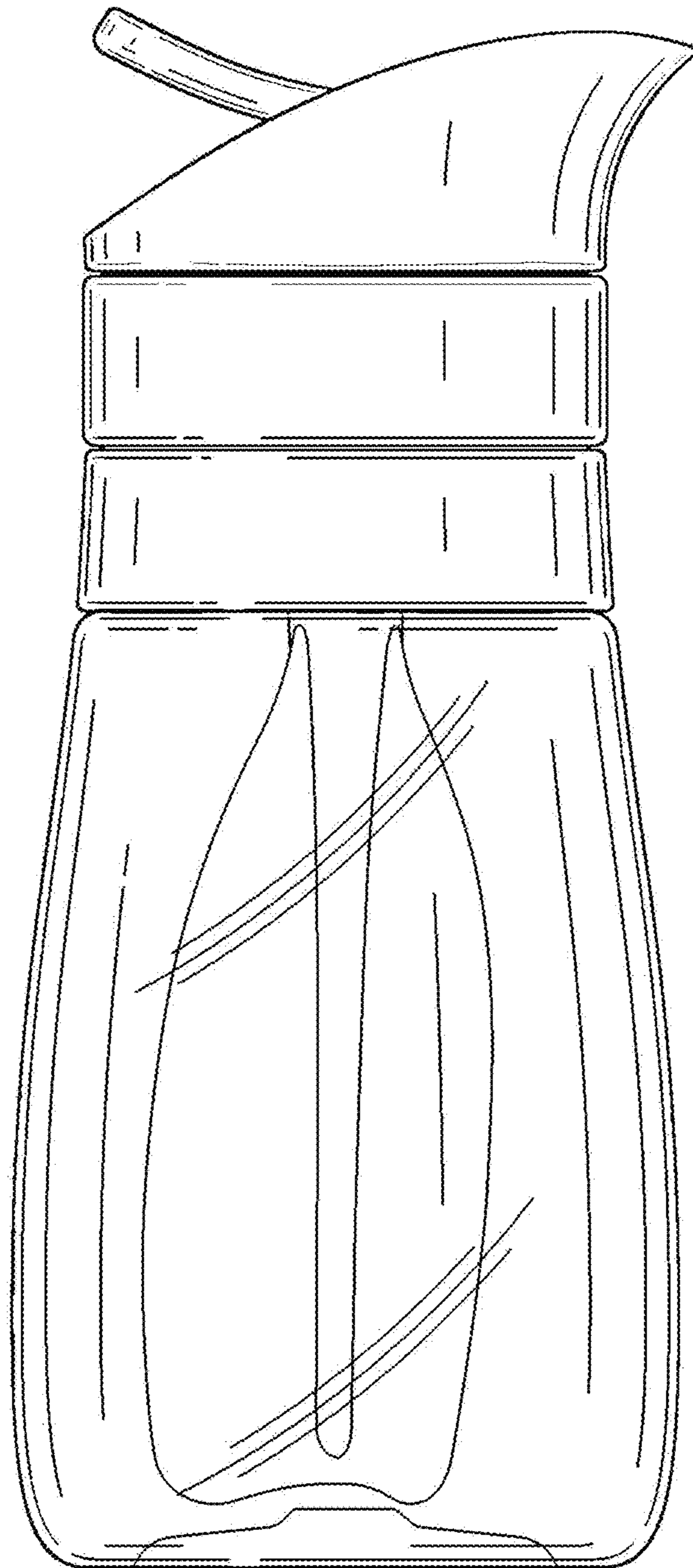


Figure 5

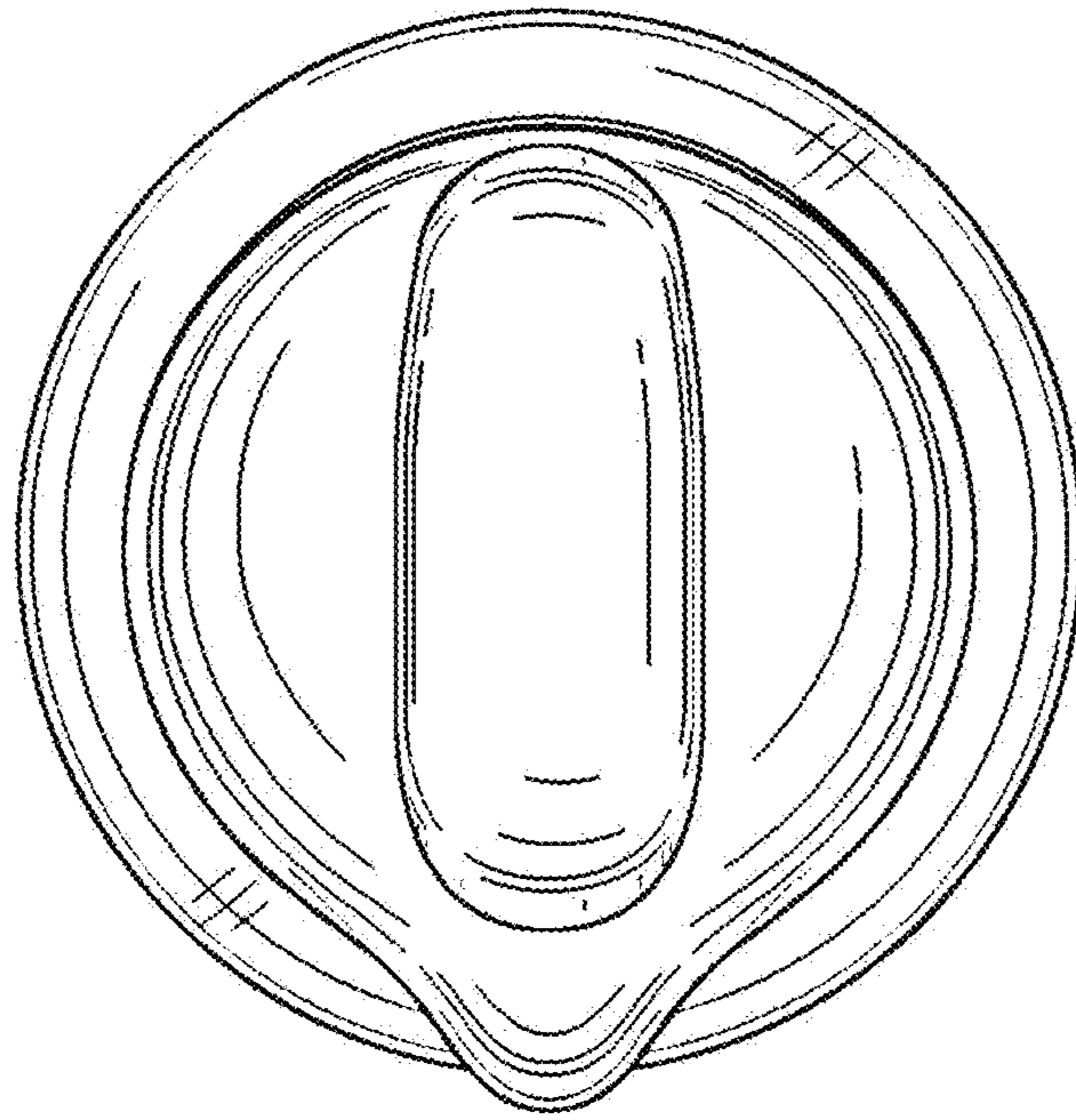


Figure 6

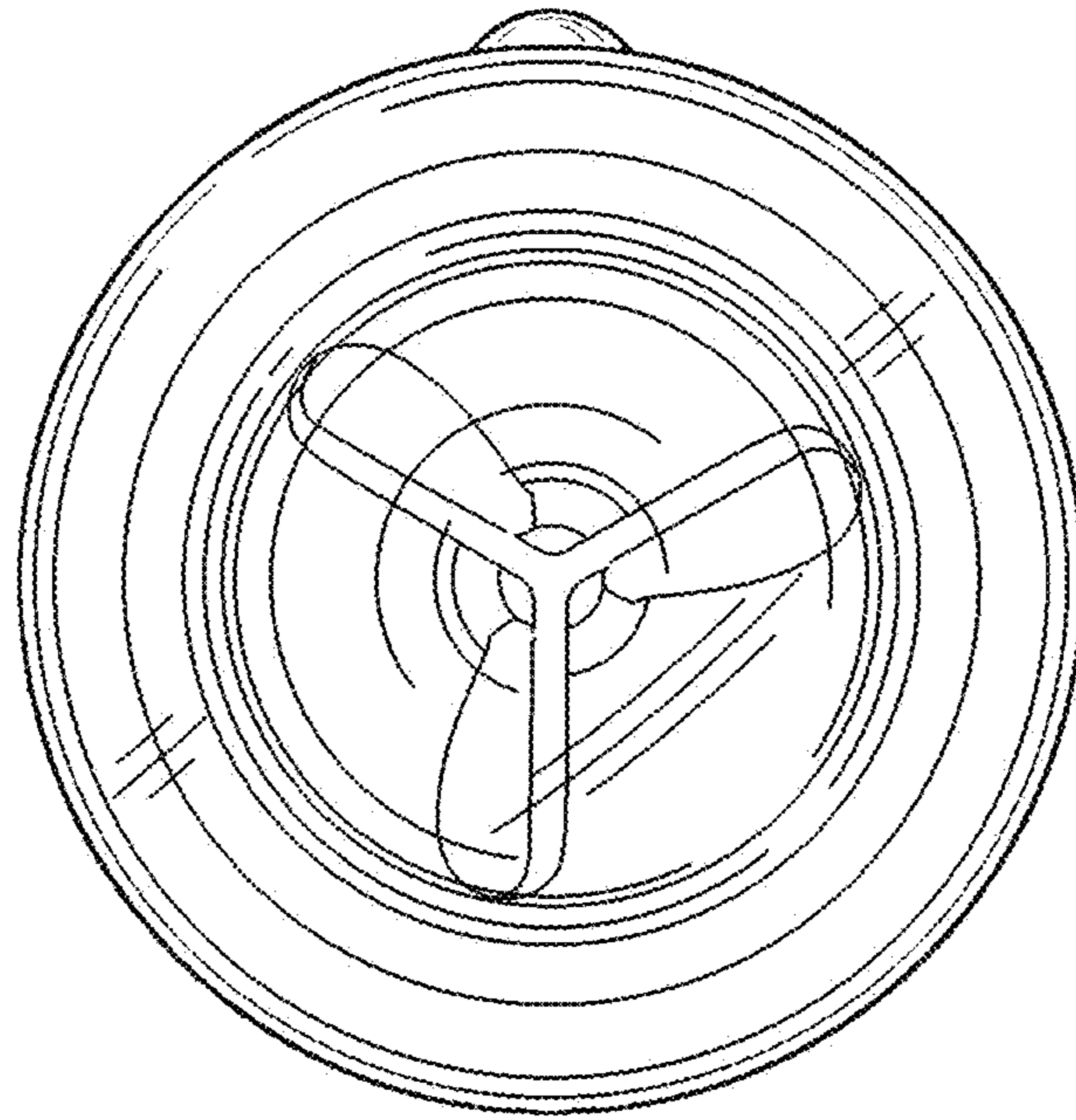


Figure 7