



US00D804916S

(12) **United States Design Patent** (10) **Patent No.:** **US D804,916 S**  
**Leggett** (45) **Date of Patent:** **\*\* Dec. 12, 2017**

(54) **KNIFE BLOCK**

D393,960 S 5/1998 Geier et al.  
5,775,518 A \* 7/1998 Connor ..... A47G 21/14  
211/163

(71) Applicant: **Henry Leggett**, San Francisco, CA  
(US)

D489,939 S 5/2004 Allanson  
6,755,310 B1 \* 6/2004 Hilton ..... A47F 1/08  
211/194

(72) Inventor: **Henry Leggett**, San Francisco, CA  
(US)

D493,284 S 7/2004 Lee  
6,905,020 B2 \* 6/2005 Chang ..... B25H 3/025  
206/349

(\*\*) Term: **15 Years**

(Continued)

(21) Appl. No.: **29/537,116**

**OTHER PUBLICATIONS**

(22) Filed: **Aug. 21, 2015**

Joseph Joseph 6-Piece Knife Set with Rotating Knife Block, announced Aug. 2012, [online], site visited Sep. 29, 2016. Available from Internet, <URL: <http://www.amazon.com>>.\*

(51) **LOC (10) Cl.** ..... **07-99**

(52) **U.S. Cl.**

(Continued)

USPC ..... **D7/637**

(58) **Field of Classification Search**

USPC ..... D7/509, 523, 558, 584, 631, 637-641;  
D9/548, 572, 782; 211/1.53, 56, 58, 60,  
211/70, 70.7, 77, 78, 131.1, 163;  
248/37.3, 37.6

CPC .. A47F 5/16; A47F 7/00; A47G 21/00; A47G  
21/14; B26B 3/00; B26B 27/00

See application file for complete search history.

*Primary Examiner* — Derrick Holland

*Assistant Examiner* — Janice Lim

(74) *Attorney, Agent, or Firm* — Quine Intellectual  
Property Law Group, PC

(57)

**CLAIM**

The ornamental design for a knife block, as shown and described.

(56) **References Cited**

**DESCRIPTION**

**U.S. PATENT DOCUMENTS**

D50,414 S \* 3/1917 De Vilbiss ..... D7/597  
1,346,909 A \* 7/1920 Onufryk ..... A47G 21/14  
211/70.6  
2,446,016 A \* 7/1948 Lessin ..... A47G 21/14  
211/70  
2,964,201 A \* 12/1960 Huffman ..... A47F 5/02  
206/818  
4,126,366 A \* 11/1978 Handler ..... B25H 3/00  
108/152  
D254,714 S \* 4/1980 Mascia ..... D9/767  
4,463,856 A \* 8/1984 Strasser ..... A47F 5/02  
211/163  
5,033,232 A \* 7/1991 Vaughn ..... A47G 7/08  
220/9.4  
D323,084 S 1/1992 Jones

FIG. 1 is a side perspective view of a knife block showing my new design;

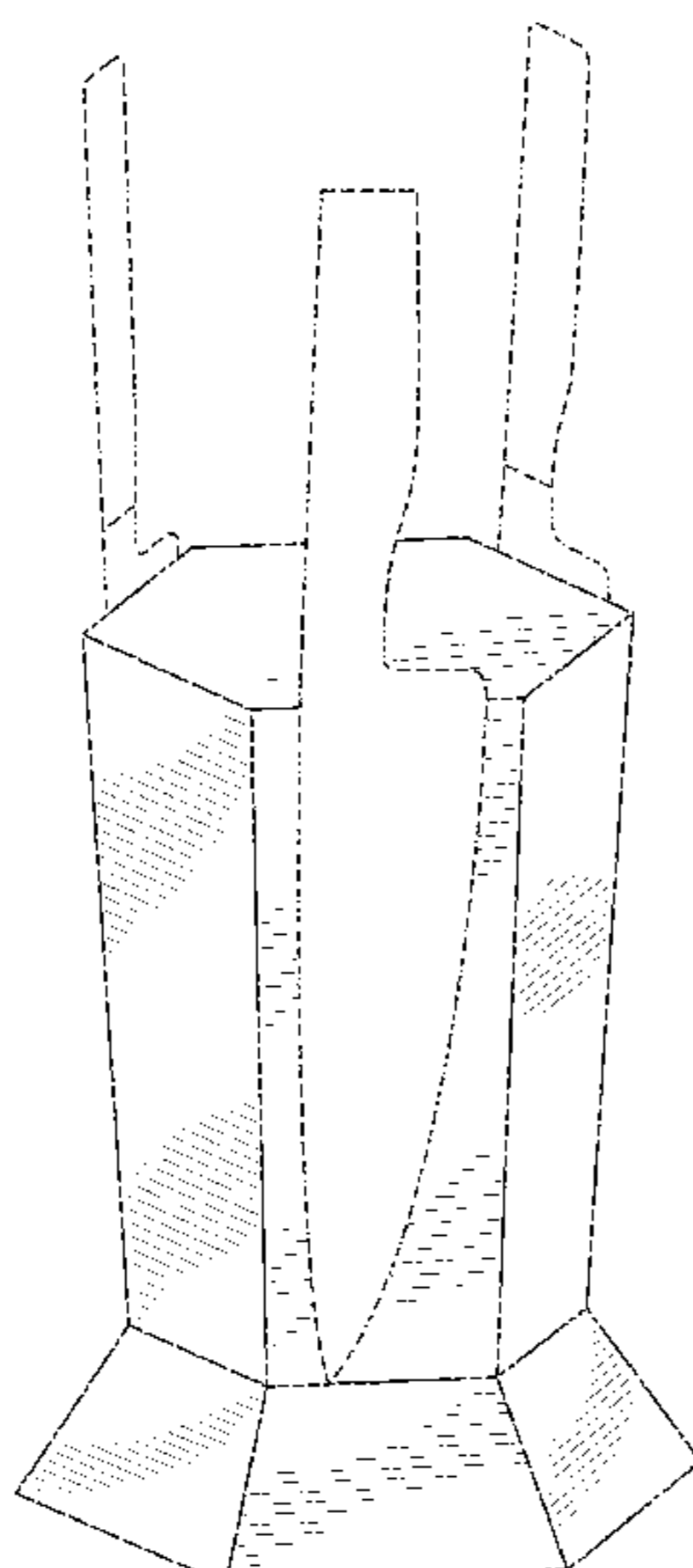
FIG. 2 is a front elevation view thereof, and the rear elevation view being a mirror image thereof;

FIG. 3 is a side elevation view thereof, and the opposite side elevation view being a mirror image thereof; and,

FIG. 4 is a top plan view thereof.

The broken line knives of FIG. 1 show unclaimed environmental subject matter only and form no part of the claimed design. The broken line portions of FIGS. 2 and 3 show unclaimed subject matter only and form no part of the claimed design.

**1 Claim, 4 Drawing Sheets**



(56)

**References Cited**

U.S. PATENT DOCUMENTS

D534,372 S 1/2007 Babbino et al.  
D574,192 S \* 8/2008 Schosser ..... D7/509  
D702,087 S \* 4/2014 Steel ..... D7/300.1  
2008/0011697 A1\* 1/2008 Berg ..... A47B 49/00  
211/78

OTHER PUBLICATIONS

“360 Knife Block—Kickstarter Video”, Design Trifecta, Henry Leggett; Published Aug. 5, 2015 [https://www.youtube.com/watch?v=RSTpl\\_sBJZk](https://www.youtube.com/watch?v=RSTpl_sBJZk);  
Youtube: “360 Knife Block—Kickstarter Video”, Design Trifecta, Henry Leggett; Published Aug. 5, 2015; [https://www.youtube.com/watch?v=RSTpl\\_sBJZk](https://www.youtube.com/watch?v=RSTpl_sBJZk).

\* cited by examiner

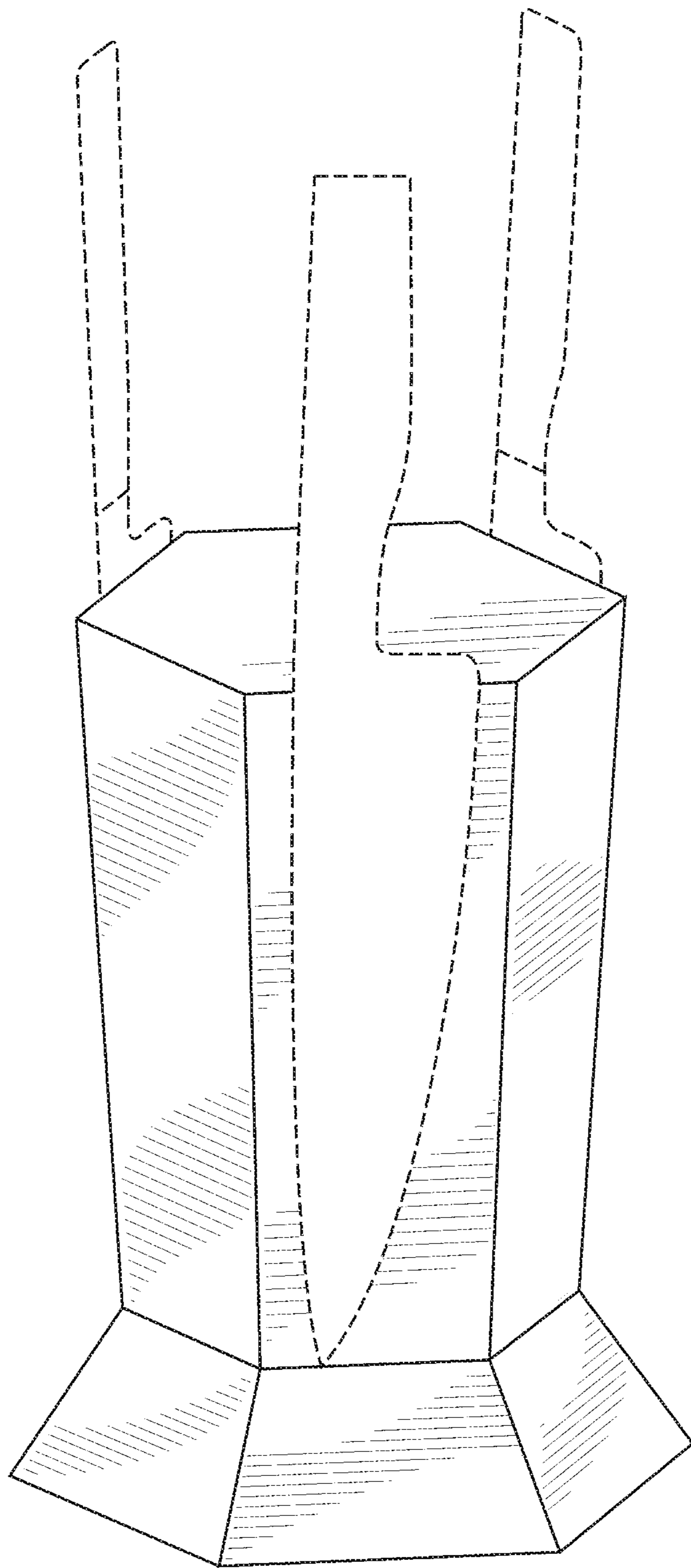


Fig. 1

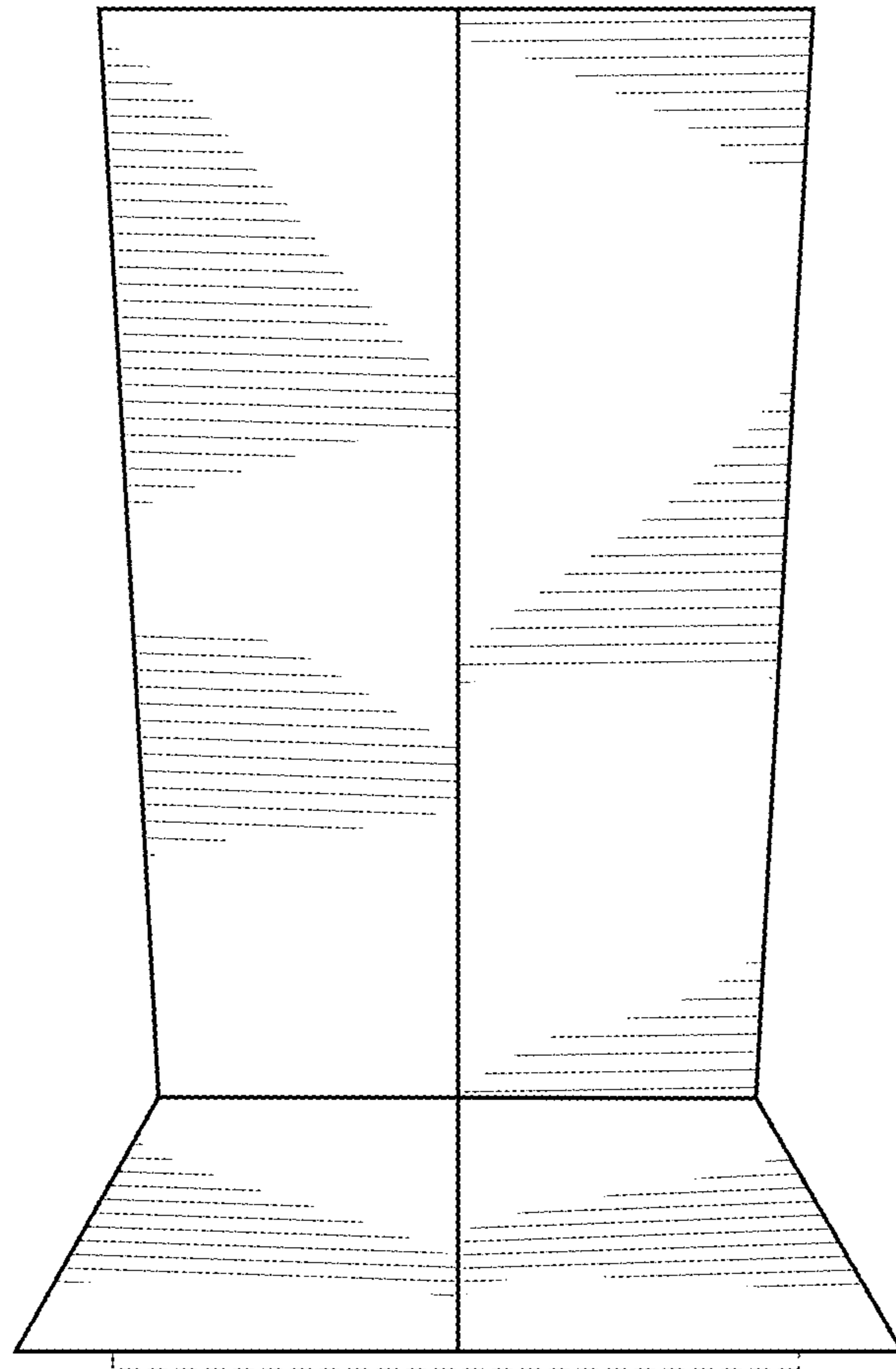


Fig. 2

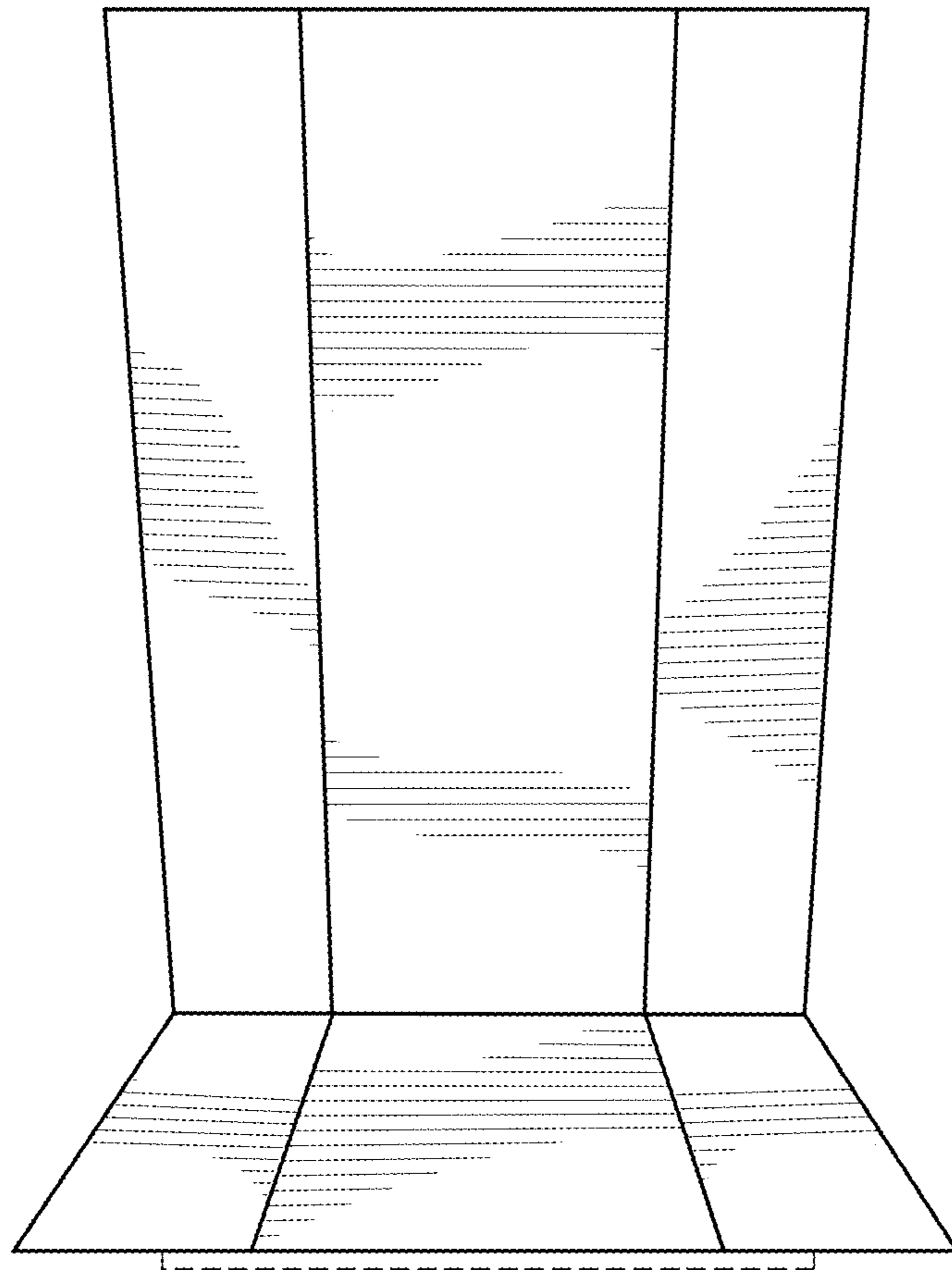


Fig. 3

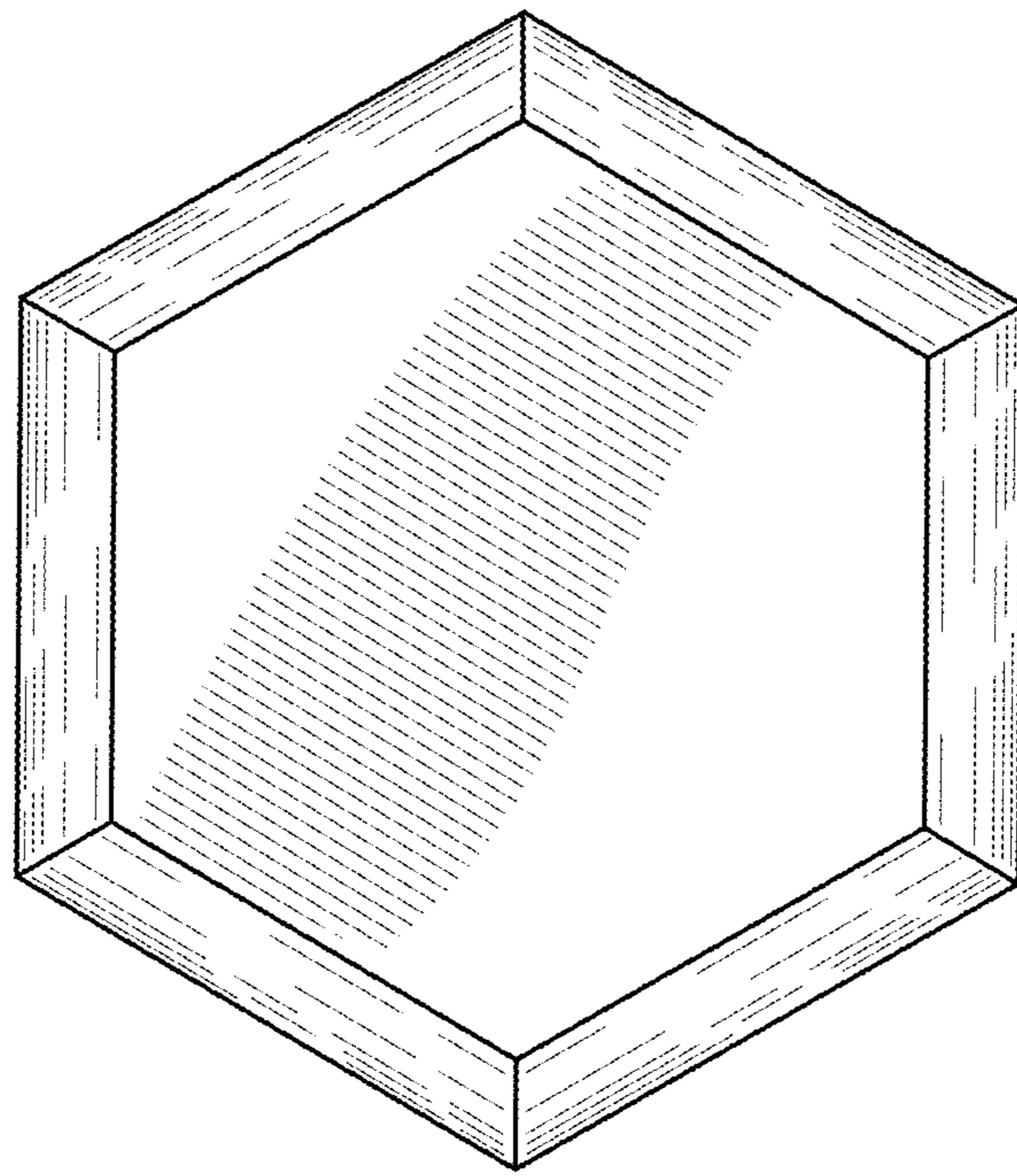


Fig. 4