



US00D804914S

(12) **United States Design Patent** (10) **Patent No.:** **US D804,914 S**  
**Shi** (45) **Date of Patent:** **\*\* Dec. 12, 2017**

- (54) **ICE BAG**
- (71) Applicant: **Shanghai Tbag Import and Export Co., Ltd, Shanghai (CN)**
- (72) Inventor: **Leping Shi, Shanghai (CN)**
- (73) Assignee: **Shanghai Tbag Import and Export Co., Ltd., Shanghai (CN)**
- (\*\*) Term: **15 Years**
- (21) Appl. No.: **29/583,541**
- (22) Filed: **Nov. 7, 2016**
- (51) **LOC (10) Cl.** ..... **07-01**
- (52) **U.S. Cl.**  
USPC ..... **D7/606**
- (58) **Field of Classification Search**  
USPC ..... D7/603-608, 619.2, 625, 710, 628;  
D3/270, 271.1, 271.4, 217;  
D24/206-208; D9/600, 632  
CPC ... A45C 11/20; F25D 3/08; F25D 3/14; F25D  
2331/804; B65D 81/3886; B65D 81/3823;  
B65D 81/3813  
See application file for complete search history.

- D435,385 S \* 12/2000 Eskandry ..... D3/218
- D524,115 S \* 7/2006 Meyer ..... D7/604
- 7,069,599 B2 \* 7/2006 Guerra ..... A42B 1/065  
2/195.5
- D549,931 S \* 9/2007 Melton ..... D2/882
- D599,625 S \* 9/2009 Lessells ..... D7/606
- D609,459 S \* 2/2010 Ferren ..... D3/216
- D685,228 S \* 7/2013 Daugherty ..... D7/606

\* cited by examiner

*Primary Examiner* — Terry Wallace

(74) *Attorney, Agent, or Firm* — Wood Herron & Evans LLP

(57) **CLAIM**

The ornamental design for an ice bag, as shown and described.

**DESCRIPTION**

FIG. 1 is a left, front perspective view of an ice bag showing my new design.  
 FIG. 2 is a right front perspective view of the ice bag of FIG. 1;  
 FIG. 3 is a front perspective view of the ice bag of FIG. 1;  
 FIG. 4 is a rear perspective view of the ice bag of FIG. 1;  
 FIG. 5 is a left side perspective view of the ice bag of FIG. 1;  
 FIG. 6 is a right side perspective view of the ice bag of FIG. 1;  
 FIG. 7 is a top perspective view of the ice bag of FIG. 1;  
 FIG. 8 is a bottom perspective view of the ice bag of FIG. 1; and,  
 FIG. 9 is a top front perspective view of the ice bag of FIG. 1.

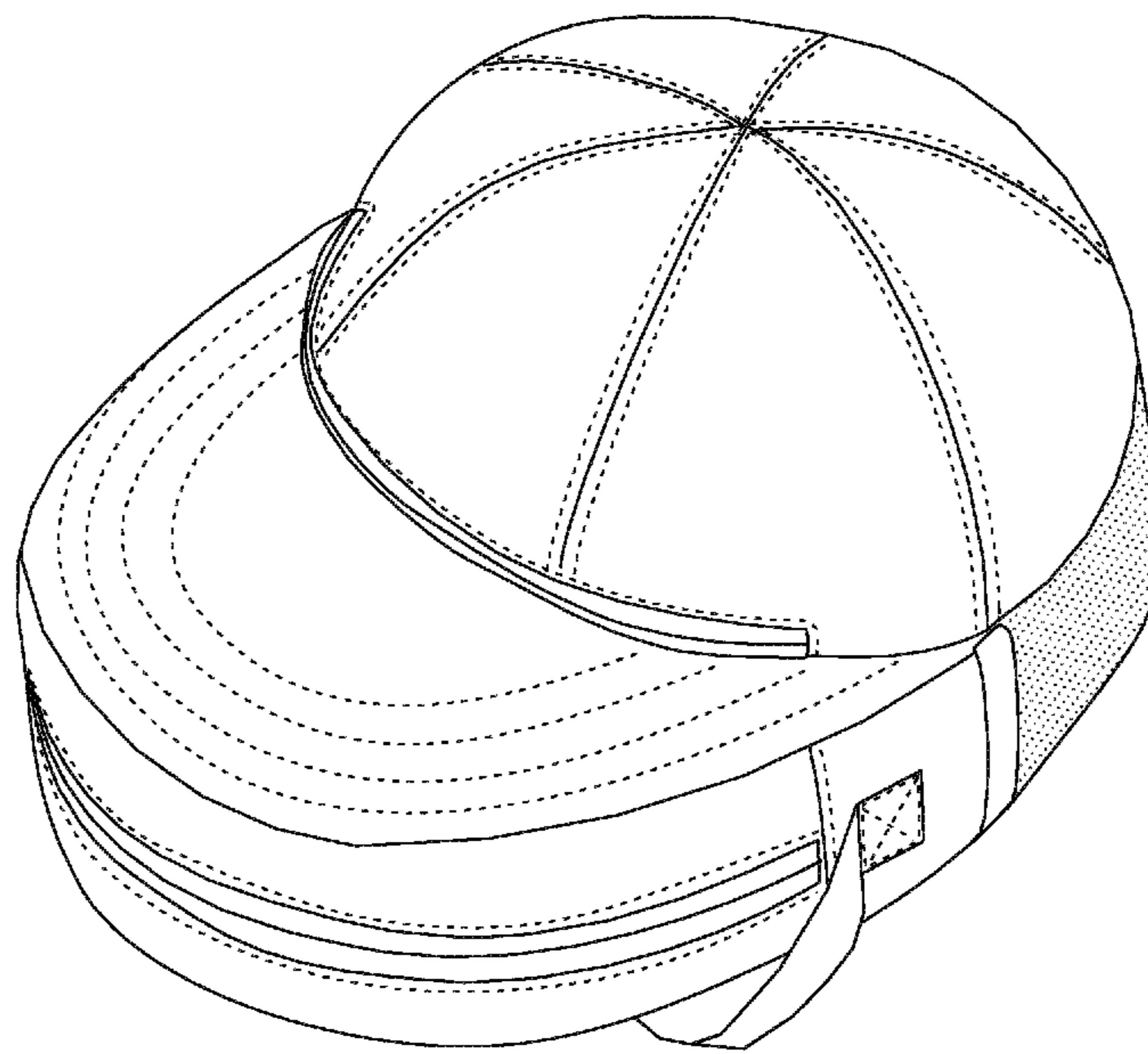
The broken dash lines shown in the drawings illustrate stitching patterns and are not to be considered disclaimers of scope, in the one illustrated embodiment.

**1 Claim, 9 Drawing Sheets**

(56) **References Cited**

**U.S. PATENT DOCUMENTS**

- D314,492 S \* 2/1991 Weller ..... D7/604
- D348,151 S \* 6/1994 Acheson ..... D3/217
- D349,630 S \* 8/1994 Redmon ..... D7/606
- 5,370,287 A \* 12/1994 Cormier ..... A45F 3/04  
224/153
- D355,758 S \* 2/1995 Poire ..... D3/217
- D360,072 S \* 7/1995 Poire ..... D3/216
- 5,799,335 A \* 9/1998 Ethier ..... A42B 1/006  
150/100



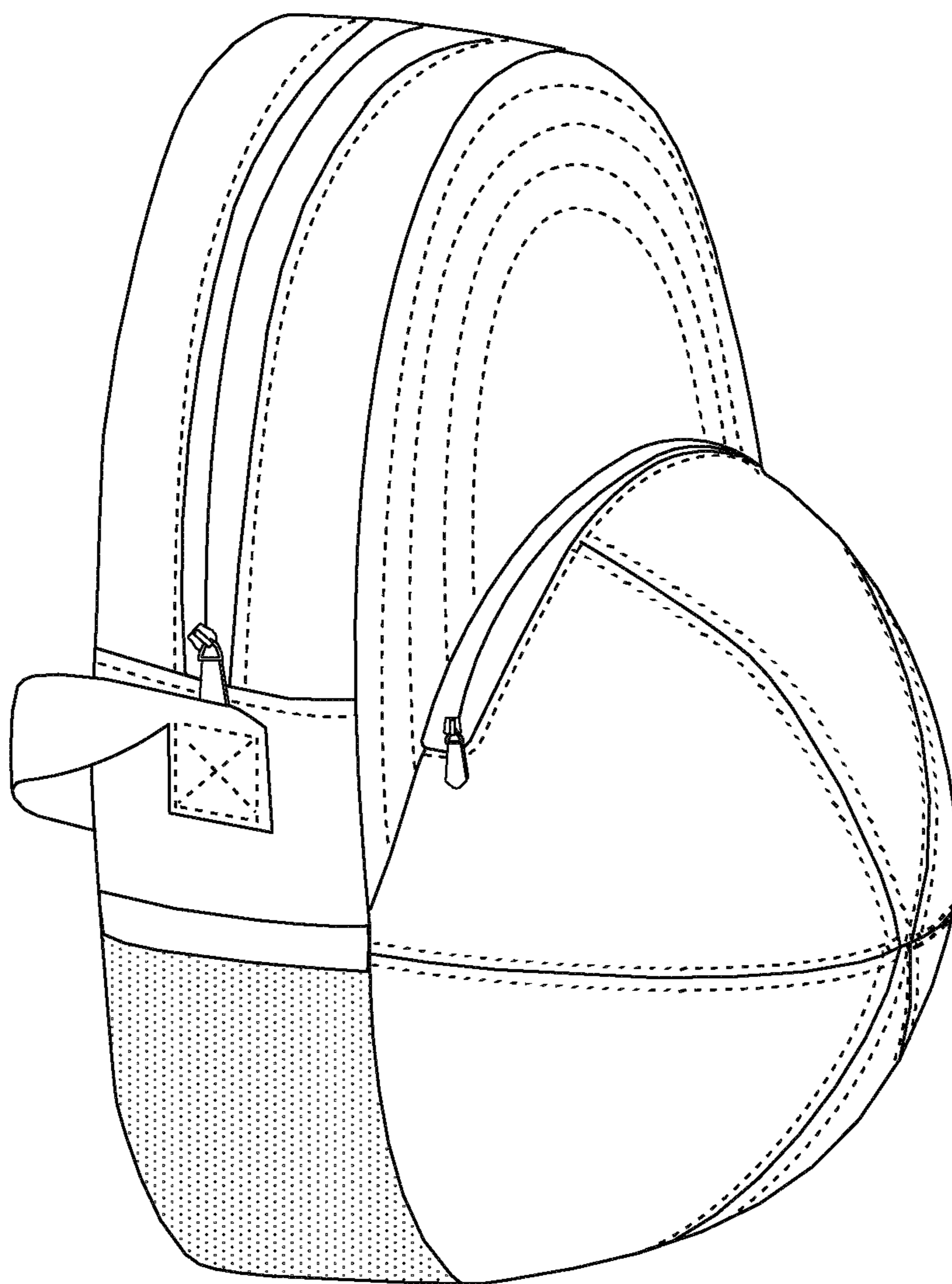


FIG. 1

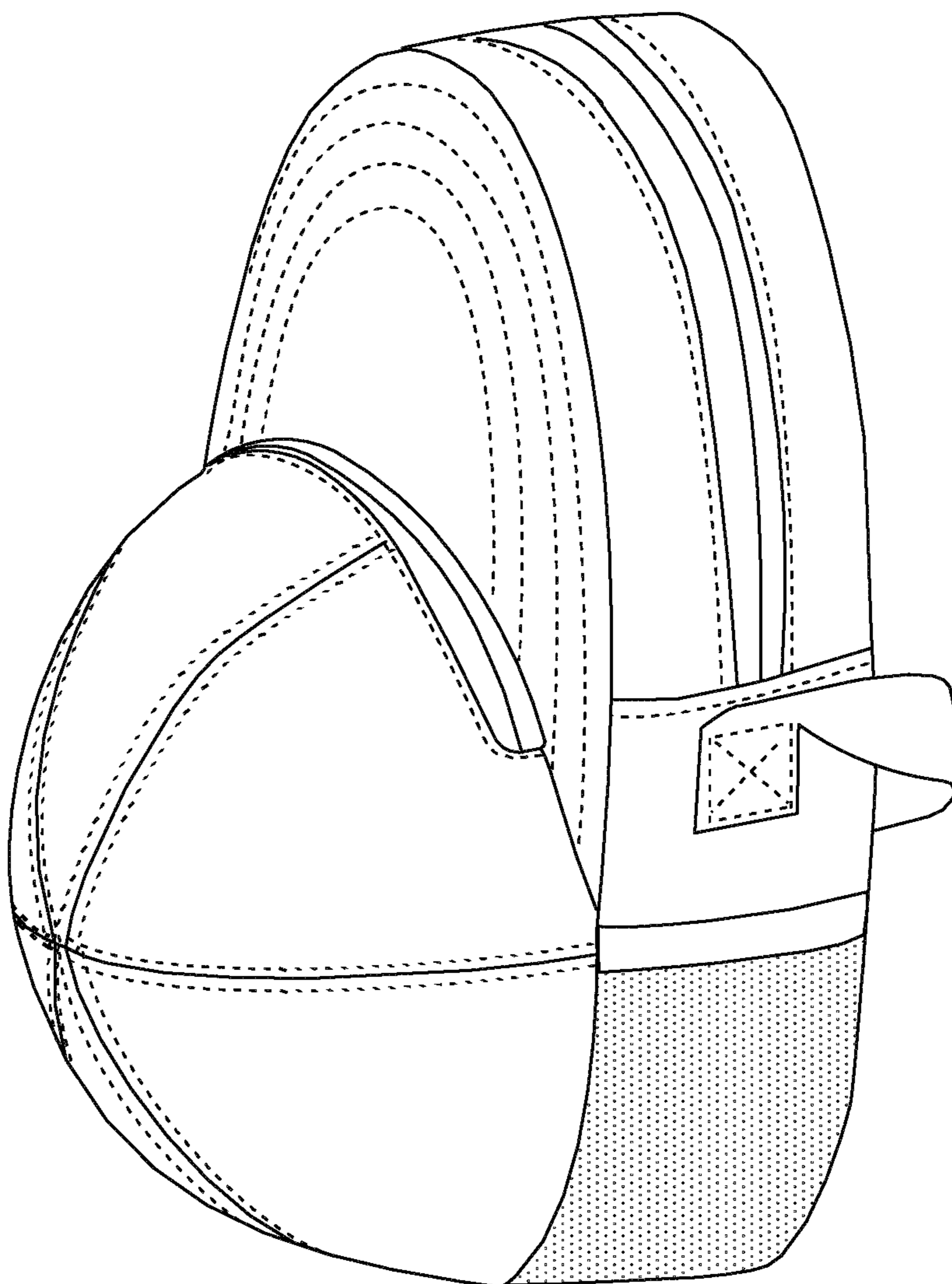


FIG. 2

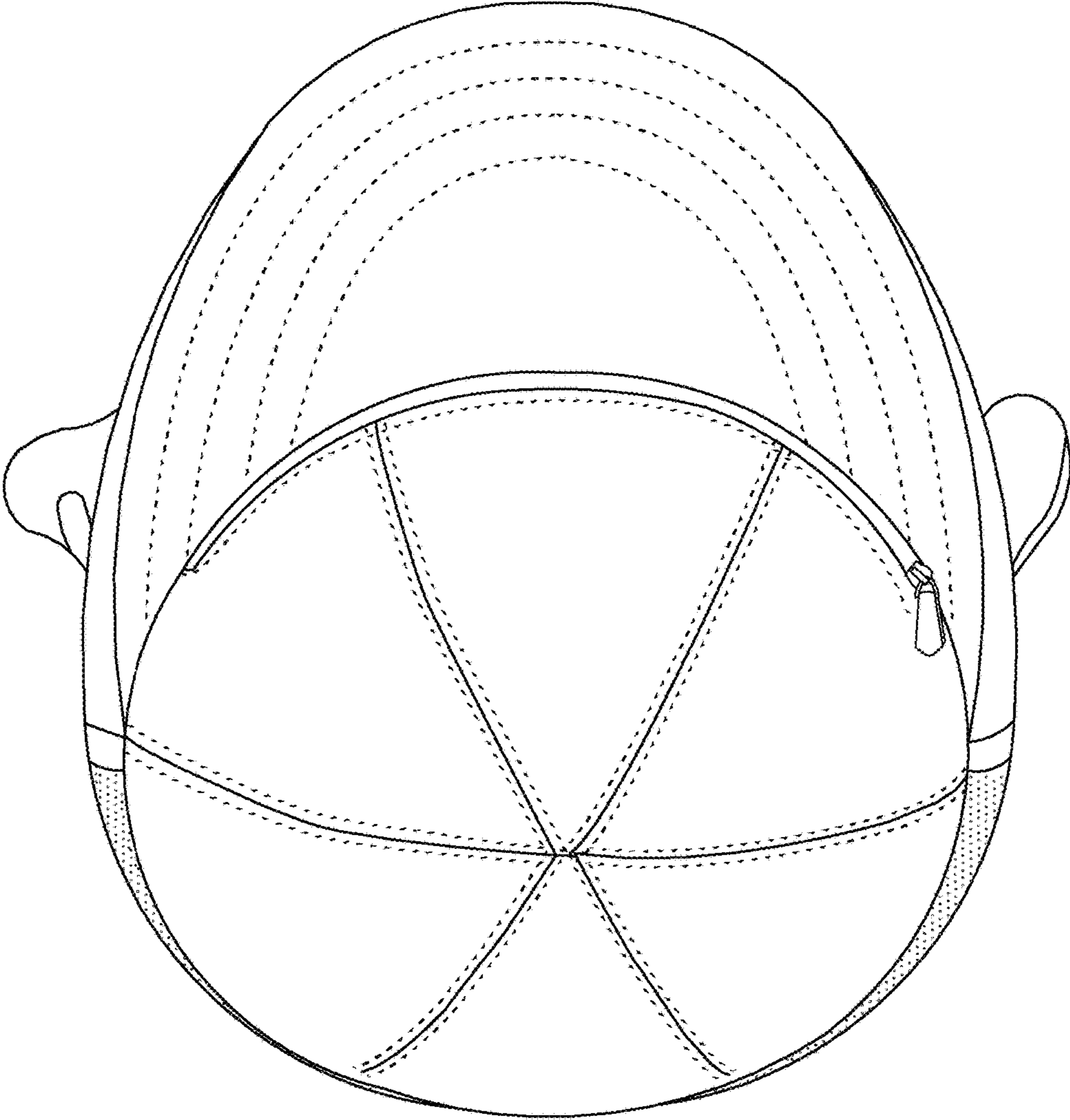


FIG. 3

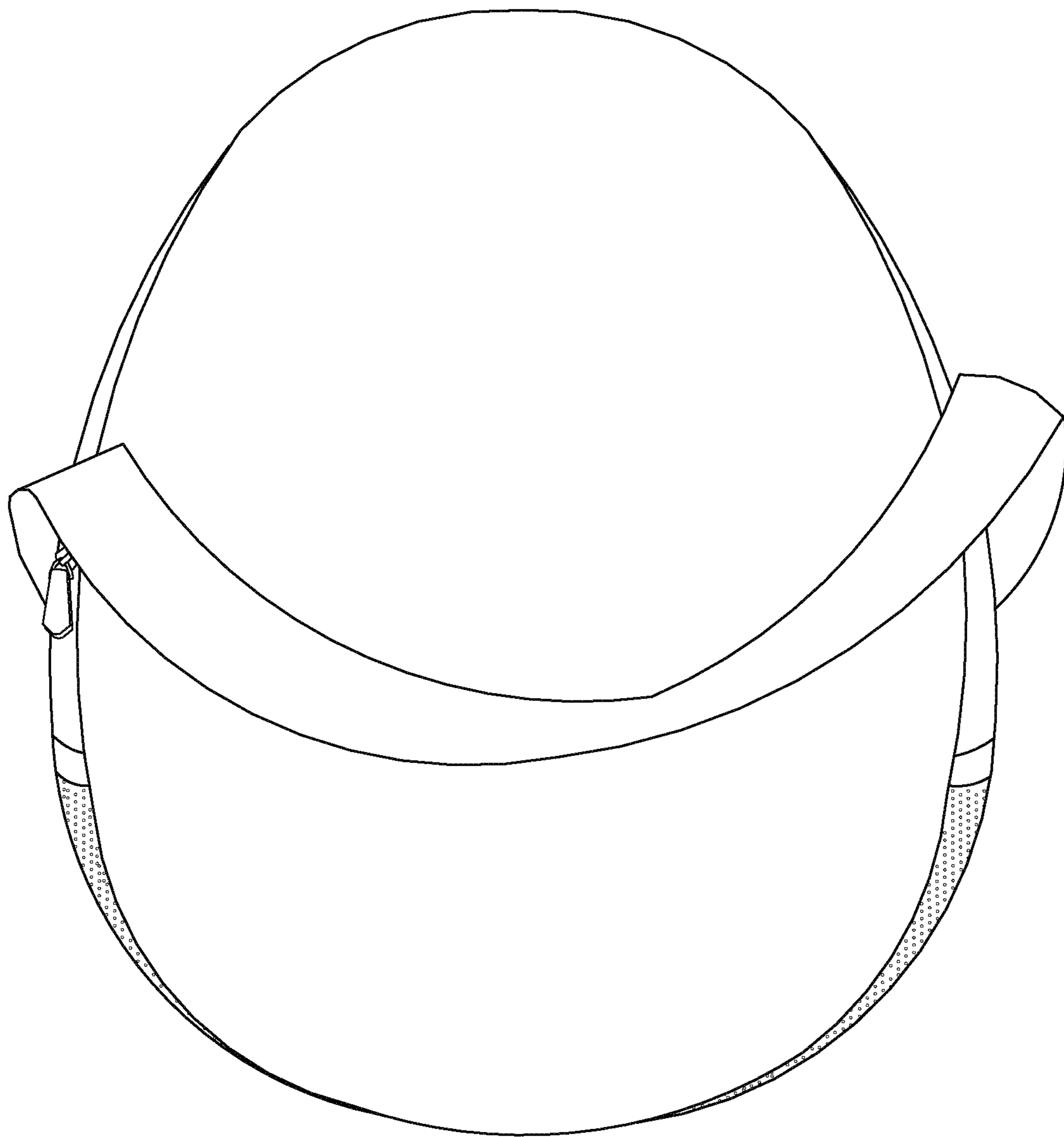


FIG. 4

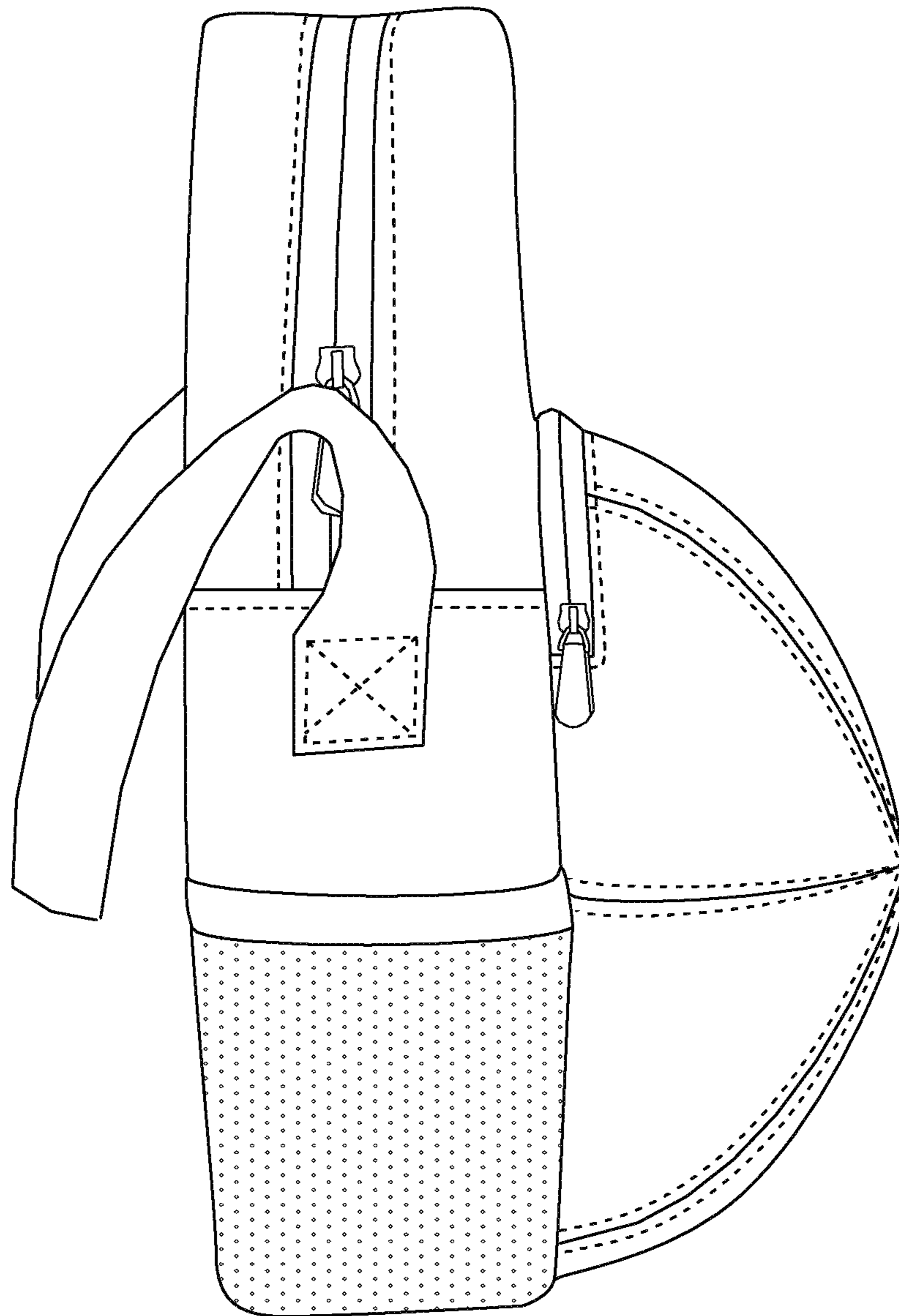


FIG. 5

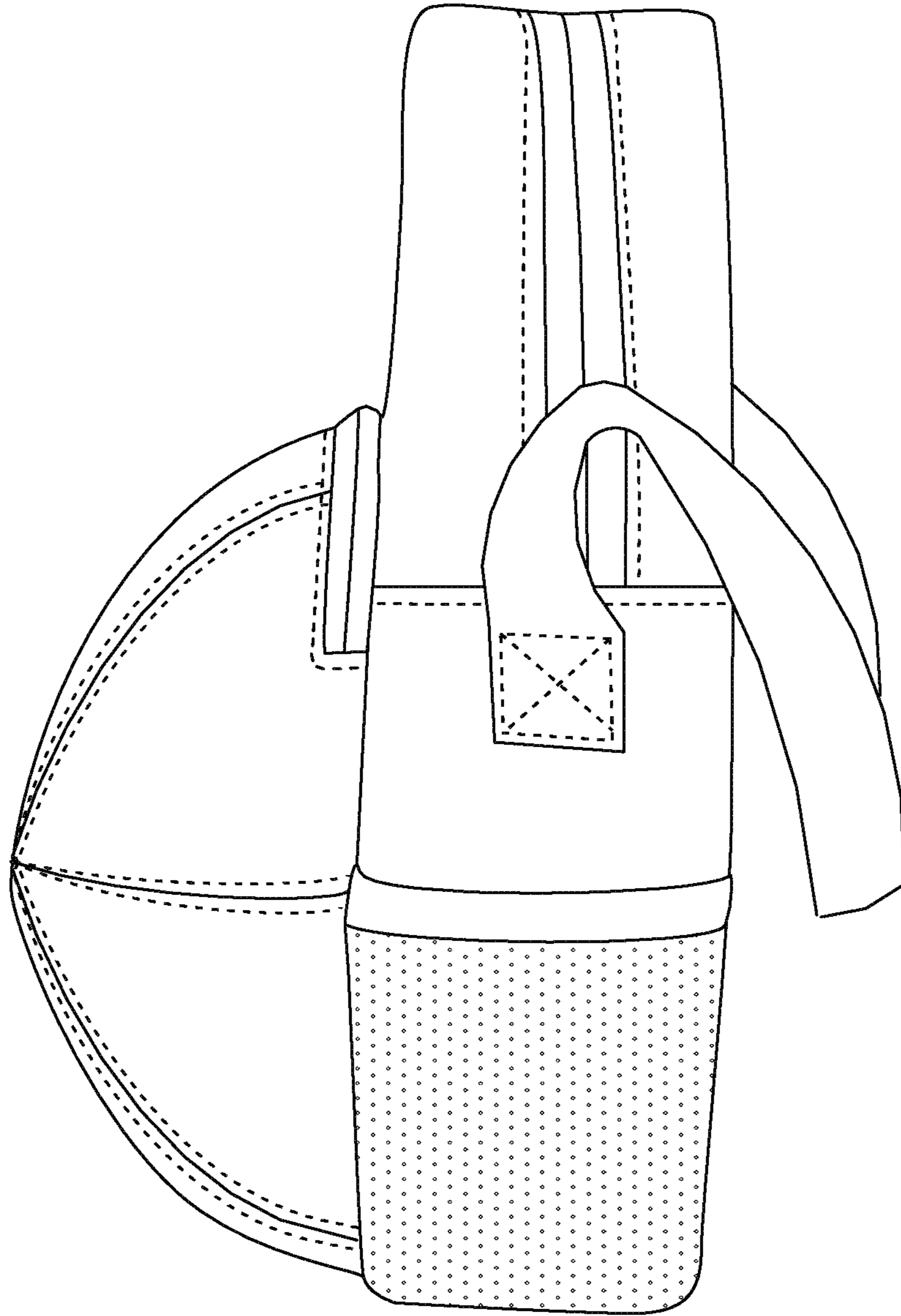


FIG. 6

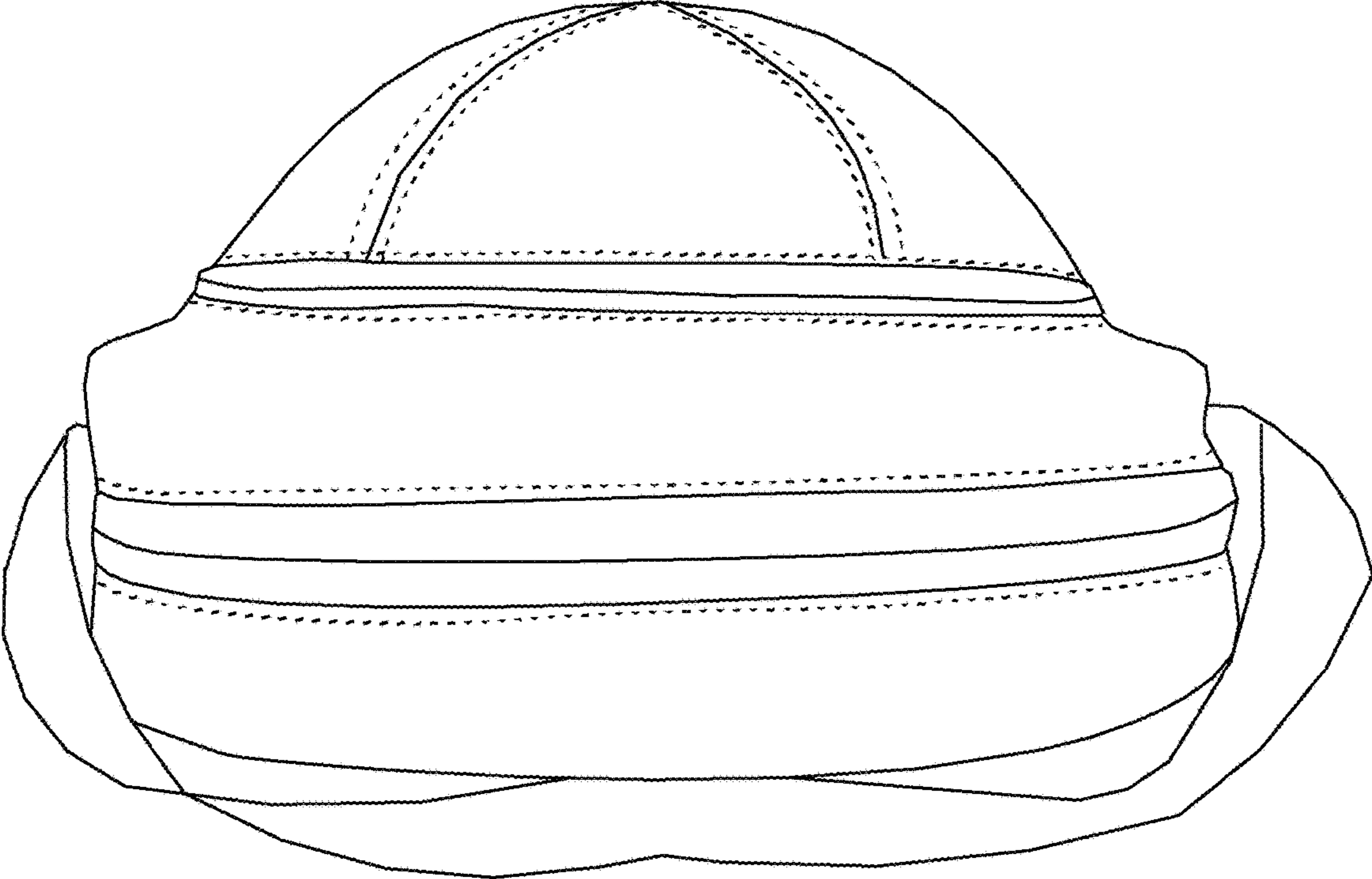


FIG. 7



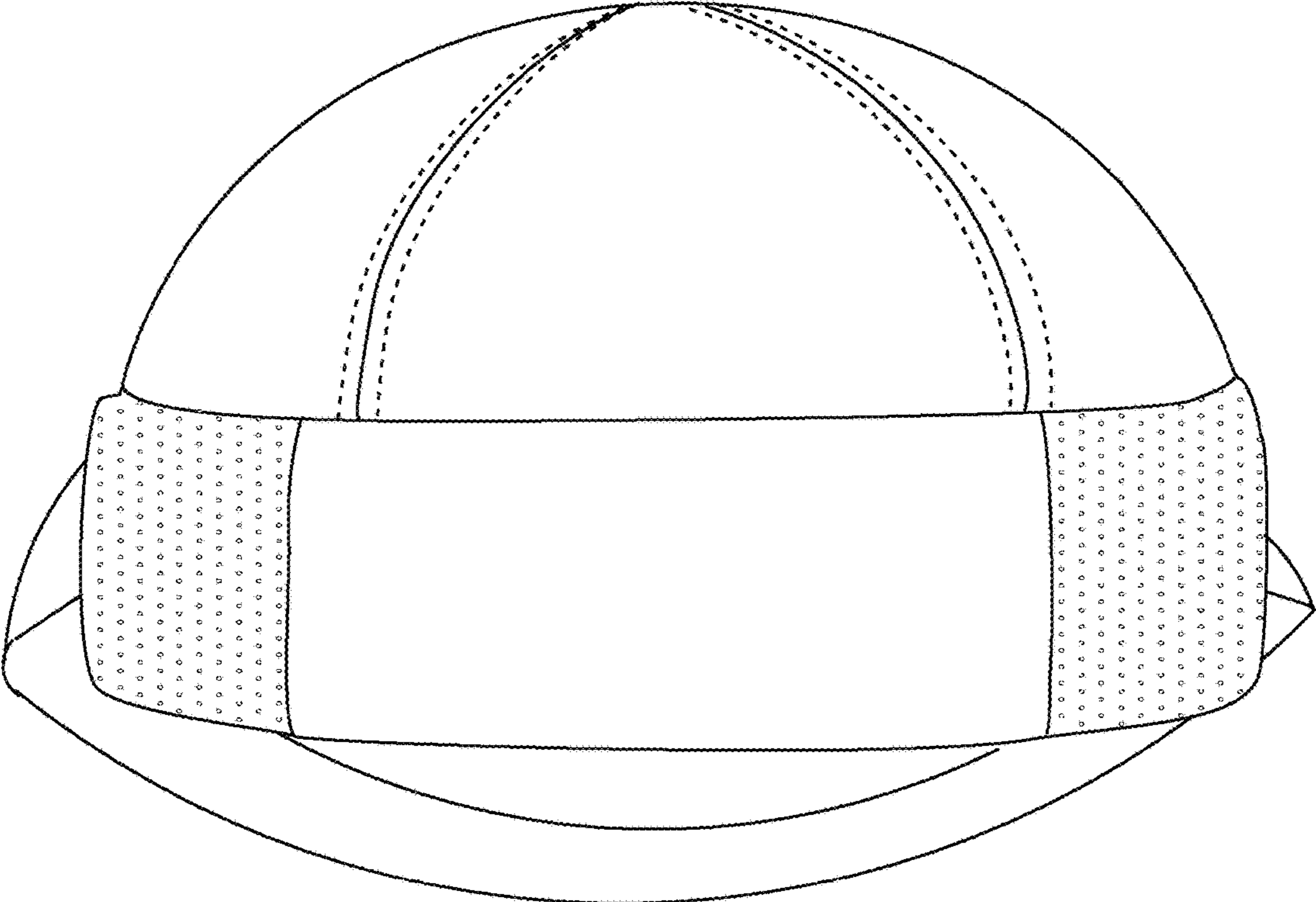


FIG. 8

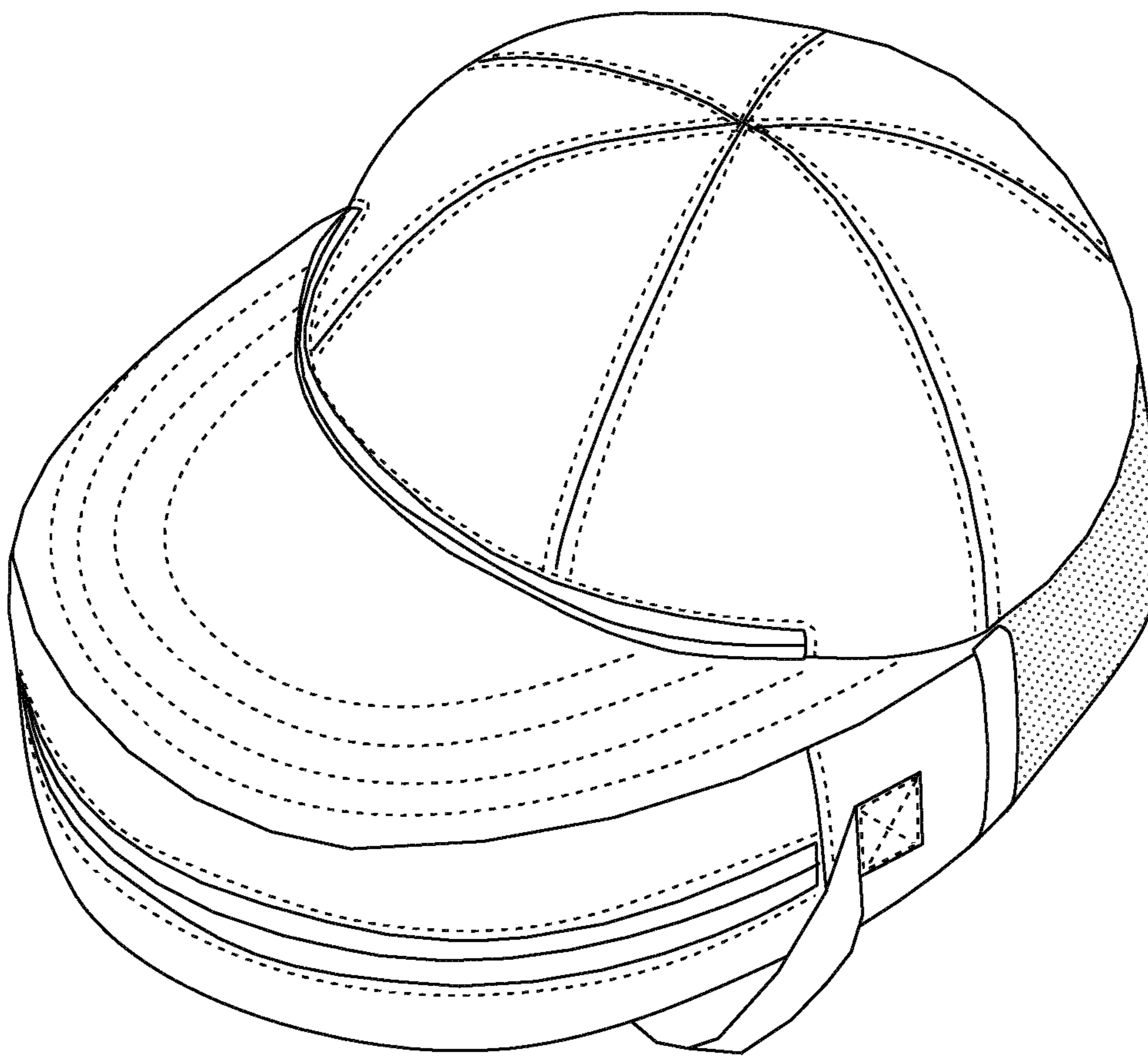


FIG. 9