



US00D804913S

(12) **United States Design Patent** (10) **Patent No.:** **US D804,913 S**
Wang (45) **Date of Patent:** **** *Dec. 12, 2017**

- (54) **INTEGRATED BREWER AND LIQUID COOLER**
- (71) Applicant: **Chun-Yen Wang**, El Paso, TX (US)
- (72) Inventor: **Chun-Yen Wang**, El Paso, TX (US)
- (73) Assignee: **MTN Products, Inc.**, LaVerne, CA (US)
- (*) Notice: This patent is subject to a terminal disclaimer.
- (**) Term: **14 Years**
- (21) Appl. No.: **29/515,226**
- (22) Filed: **Jan. 21, 2015**
- (51) **LOC (10) Cl.** **07-01**
- (52) **U.S. Cl.**
USPC **D7/602**
- (58) **Field of Classification Search**
USPC D7/305, 306, 308-313, 32, 510, 511, D7/589, 602; 99/290, 323.2; 222/144.5, 222/146.1, 185.1
CPC B65D 1/02; B65D 1/0207
See application file for complete search history.

D668,904 S *	10/2012	Walton	D7/306
D688,079 S *	8/2013	Wang	D7/305
D697,748 S *	1/2014	Wang	D7/306
D701,411 S *	3/2014	Stacks	D7/306
D728,987 S *	5/2015	Cahen	D7/309
D743,199 S *	11/2015	Bardazzi	D7/309
D755,001 S *	5/2016	Lintner	D7/306
D760,008 S *	6/2016	Moon	D7/306
D763,030 S *	8/2016	Priley	D7/306

OTHER PUBLICATIONS

http://www.mtnproduct.com/product_family/14/aquacafe.
http://www.mtnproducts.com/products/product_display/45/aquahost.

* cited by examiner

Primary Examiner — Robin V Webster
Assistant Examiner — Rachel Voorhies

(74) *Attorney, Agent, or Firm* — Michael P. Mazza, LLC

(57) **CLAIM**

I claim the ornamental design for an integrated brewer and liquid cooler, as shown and described.

DESCRIPTION

FIG. 1 is a perspective view of an integrated brewer and liquid cooler showing my new design; FIG. 2 is a front view thereof; FIG. 3 is a right side view thereof; FIG. 4 is a rear view thereof; FIG. 5 is a left side view thereof; FIG. 6 is a top plan view thereof; and, FIG. 7 is a bottom plan view thereof. The broken lines showing in the drawings are included for the purpose of illustrating portions of the article, and form no part of the claimed design.

1 Claim, 6 Drawing Sheets

- (56) **References Cited**
U.S. PATENT DOCUMENTS
- | | | | |
|--------------|---------|-------------------|--------|
| D455,313 S * | 4/2002 | Azadi | D7/306 |
| D498,969 S * | 11/2004 | Nicol | D7/306 |
| D538,577 S * | 3/2007 | Glucksman | D7/306 |
| D582,194 S * | 12/2008 | Wang | D7/306 |
| D585,690 S * | 2/2009 | Dammkoehler | D7/307 |
| D608,129 S * | 1/2010 | Spear | D7/306 |
| D630,462 S * | 1/2011 | Eckholm | D7/309 |
| D652,242 S * | 1/2012 | Wang | D7/306 |
| D652,668 S * | 1/2012 | Wang | D7/306 |

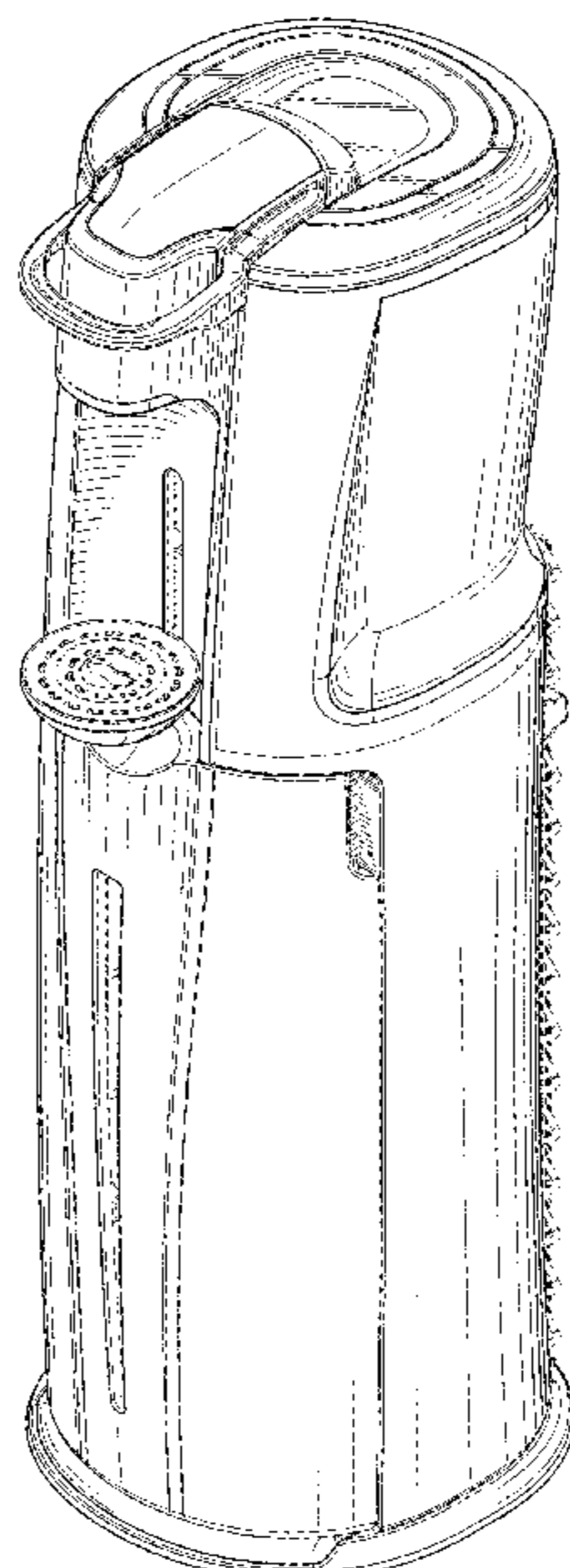


Fig. 1

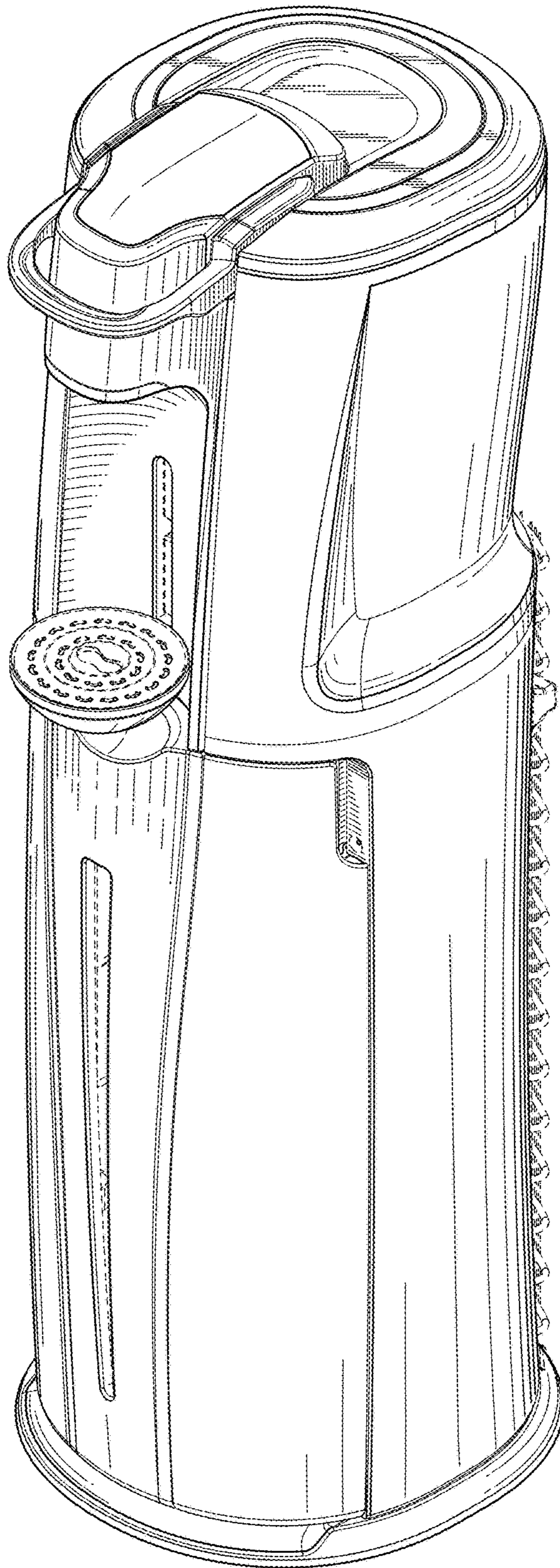


Fig. 2

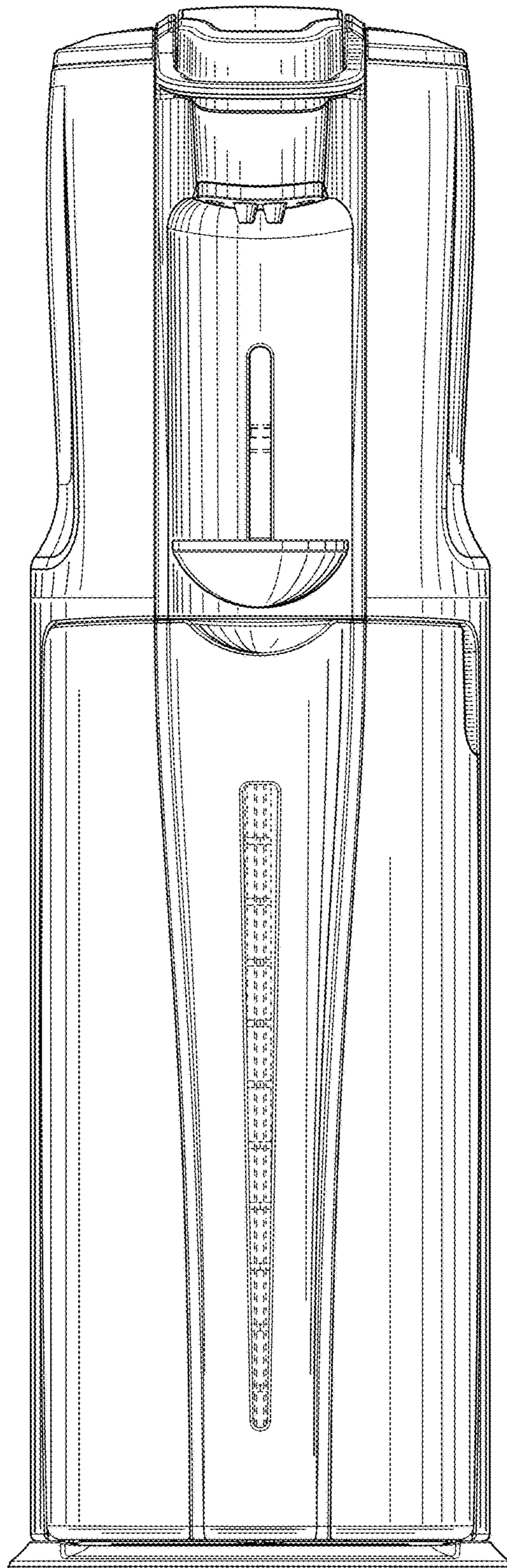


Fig. 3

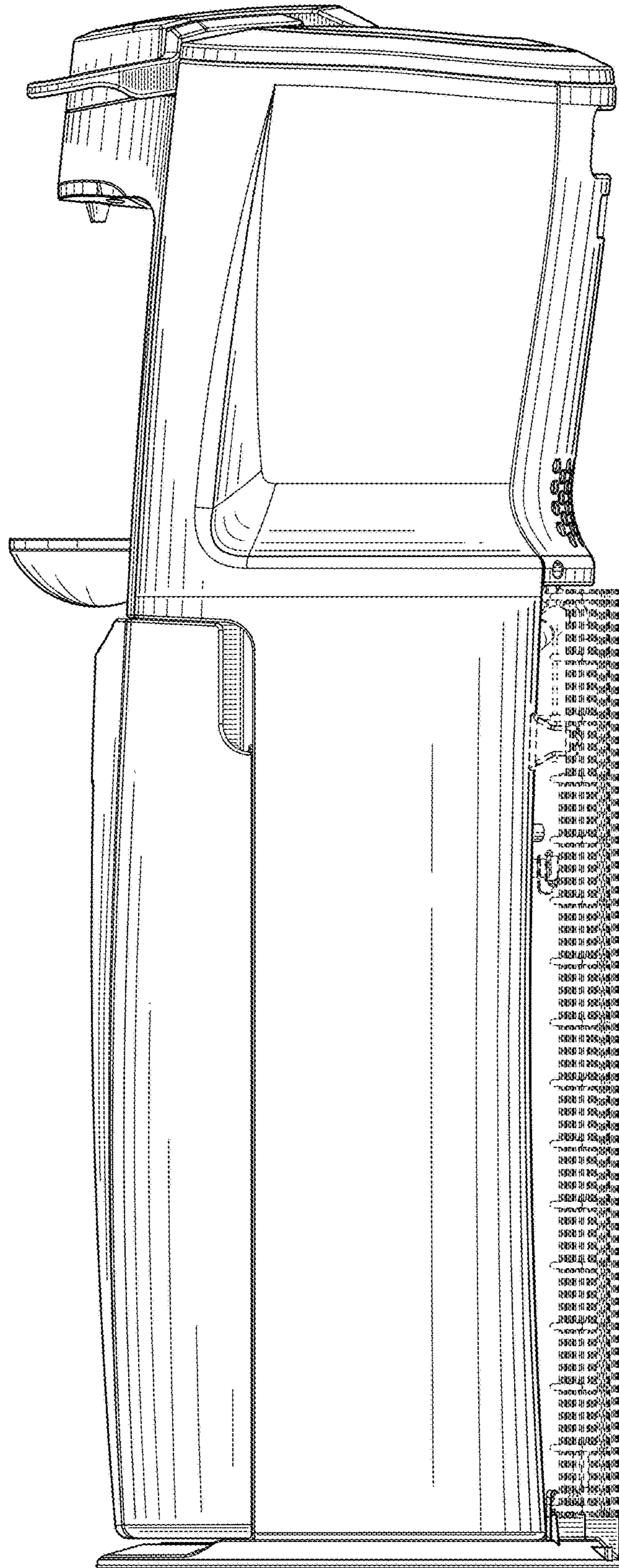


Fig. 4

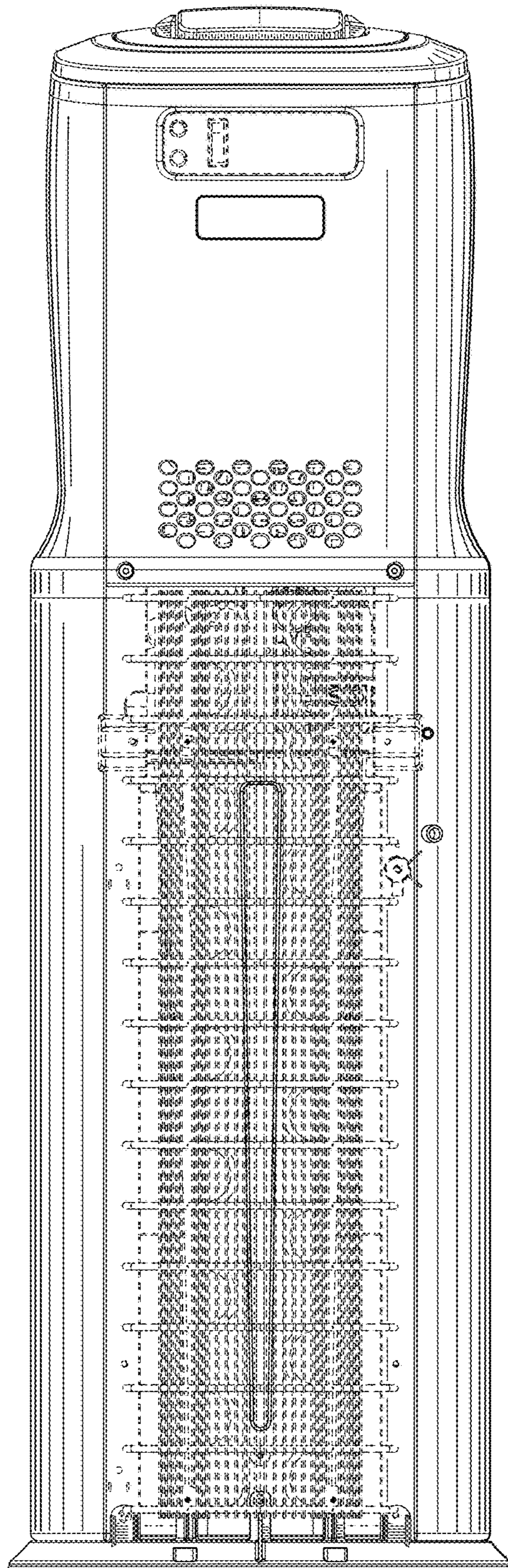


Fig. 5

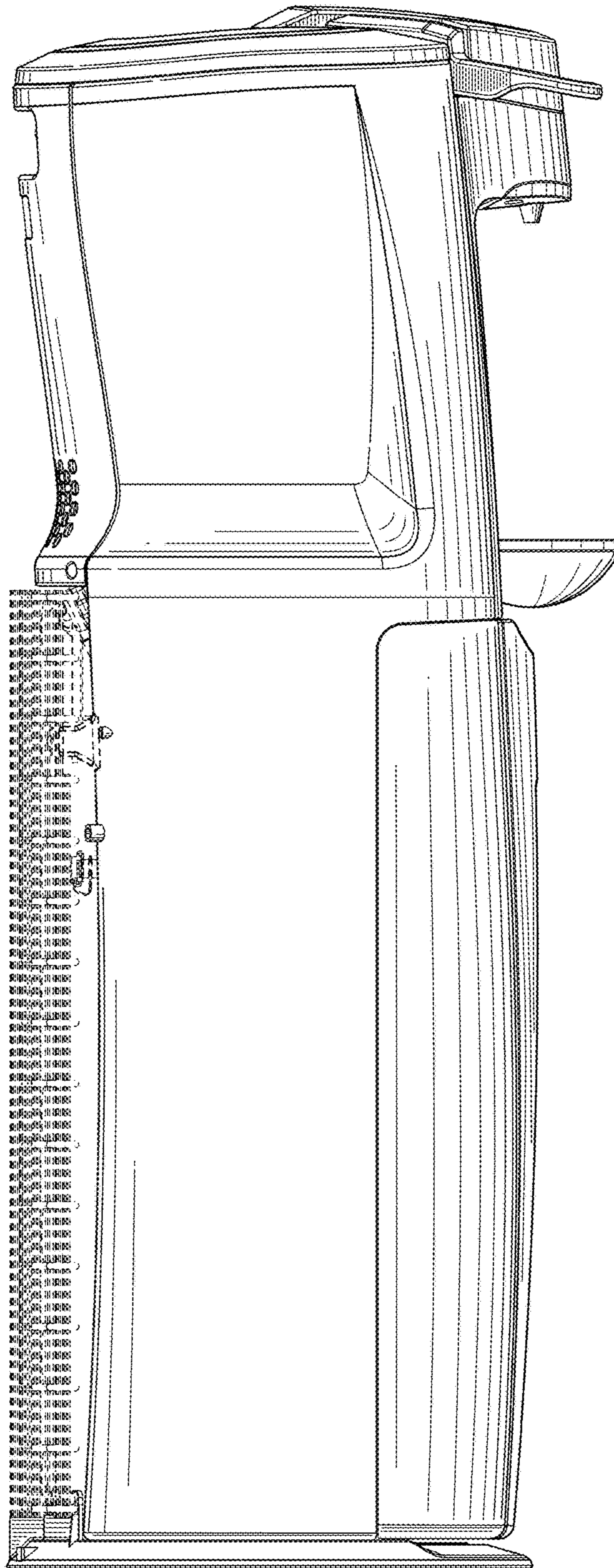


Fig. 6

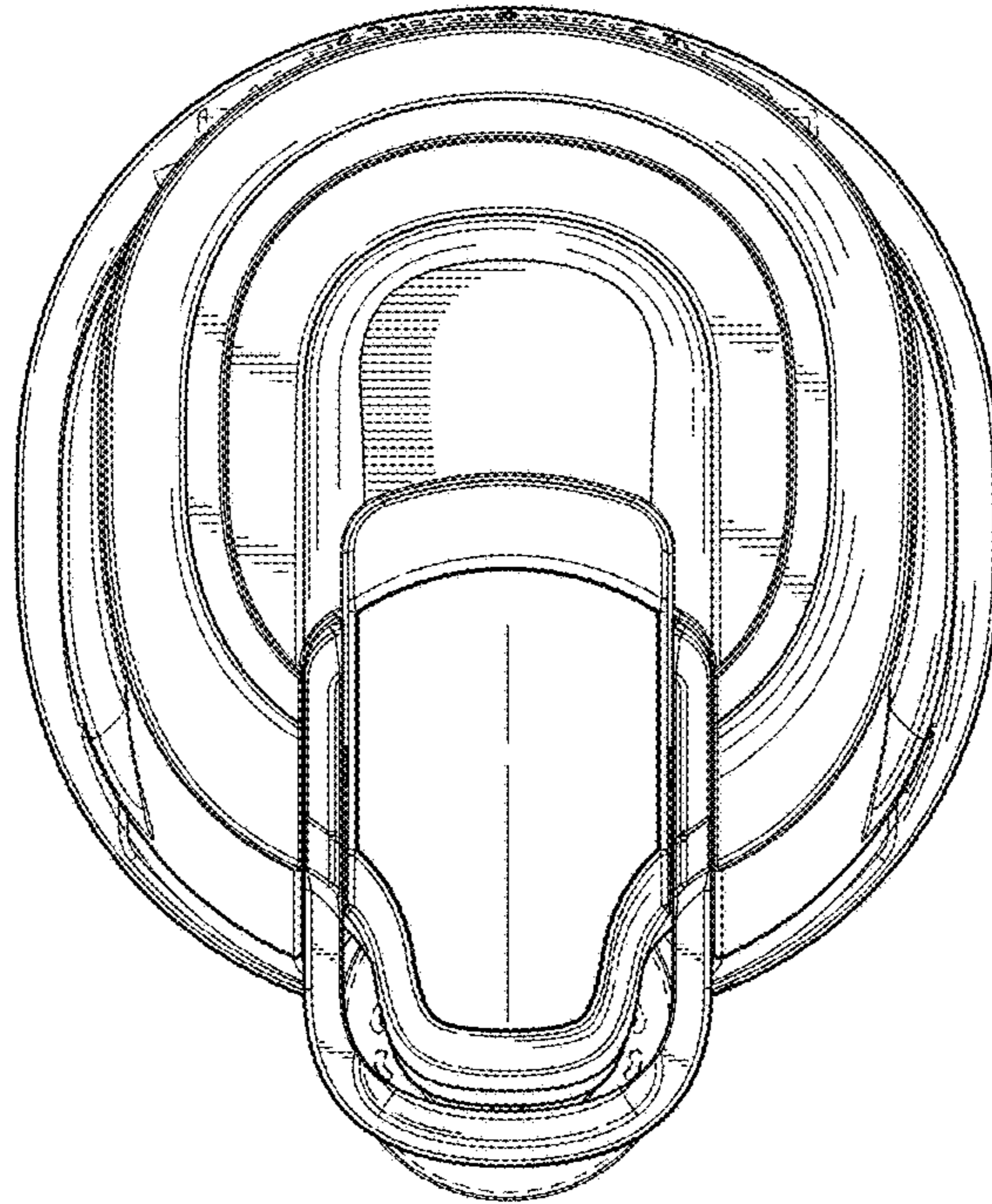


Fig. 7

