



US00D804904S

(12) **United States Design Patent** (10) **Patent No.:** **US D804,904 S**
Noveletsky et al. (45) **Date of Patent:** **** Dec. 12, 2017**

(54) **CHUG LID**

DESCRIPTION

(71) Applicant: **Igloo Products Corp.**, Katy, TX (US)
(72) Inventors: **Tyler Noveletsky**, North Easton, MA (US); **Brandon Stroud**, Smyrna, GA (US)
(73) Assignee: **Igloo Products Corp.**, Katy, TX (US)
(**) Term: **15 Years**
(21) Appl. No.: **29/557,009**
(22) Filed: **Mar. 4, 2016**
(51) **LOC (10) Cl.** **07-01**
(52) **U.S. Cl.**
USPC **D7/510**
(58) **Field of Classification Search**
USPC D7/510, 511, 608, 300.1, 591, 392.1,
D7/396.2, 529, 533-536; D9/503, 504,
D9/434; 215/200, 355, 273, 280
CPC A47G 19/22; A47G 19/2205; B65D 41/04;
B65D 43/02
See application file for complete search history.

(56) **References Cited**

U.S. PATENT DOCUMENTS

D358,530 S 5/1995 Mehra et al.
D425,362 S * 5/2000 Meyers D7/392
D455,611 S 4/2002 Kitamura et al.
D467,811 S 12/2002 Slater et al.
D485,132 S 1/2004 Ohno et al.

(Continued)

Primary Examiner — Daniel Bui

Assistant Examiner — Andrew Kerr

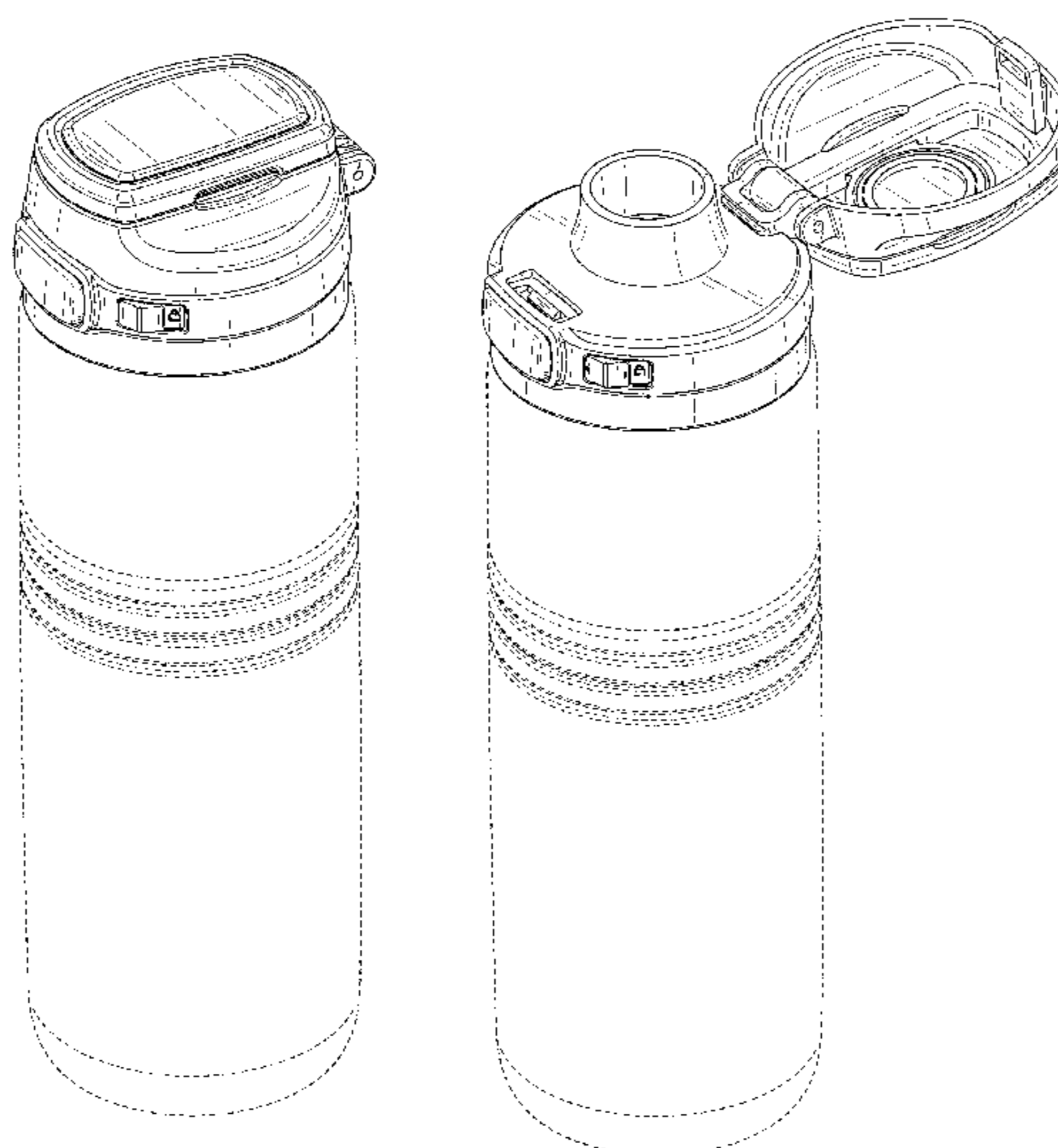
(74) *Attorney, Agent, or Firm* — Mintz Levin Cohn Ferris
Glovsky and Popeo, P.C.; Steven M. Jensen

(57) **CLAIM**

The ornamental design for a chug lid, as shown and described.

FIG. 1 is a perspective view of a first embodiment of a chug lid in a closed state, in use condition, showing our new design;
FIG. 2 is a front view thereof;
FIG. 3 is a back view thereof;
FIG. 4 is a left view thereof;
FIG. 5 is a right view thereof;
FIG. 6 is a top view thereof;
FIG. 7 is a bottom view thereof;
FIG. 8 is a perspective view of a second embodiment of a chug lid in an open state, in use condition;
FIG. 9 is a front view thereof;
FIG. 10 is a back view thereof;
FIG. 11 is a left view thereof;
FIG. 12 is a right view thereof;
FIG. 13 is a top view thereof;
FIG. 14 is a bottom view thereof;
FIG. 15 is a perspective view of a third embodiment of a chug lid in a closed state, in use condition;
FIG. 16 is a front view thereof;
FIG. 17 is a back view thereof;
FIG. 18 is a left view thereof;
FIG. 19 is a right view thereof;
FIG. 20 is a top view thereof;
FIG. 21 is a bottom view thereof;
FIG. 22 is a perspective view of fourth embodiment of a chug lid in an open state, in use condition;
FIG. 23 is a front view thereof;
FIG. 24 is a back view thereof;
FIG. 25 is a left view thereof;
FIG. 26 is a right view thereof;
FIG. 27 is a top view thereof; and,
FIG. 28 is a bottom view thereof.
The broken lines in the drawing views represent unclaimed portions of a chug lid, which are included for the purpose of illustrating unclaimed environment only, and forms no part of the claimed design.

1 Claim, 26 Drawing Sheets



(56)

References Cited

U.S. PATENT DOCUMENTS

D505,294 S * 5/2005 Gauss D7/392.1
 D508,185 S * 8/2005 Gauss D7/392.1
 D528,862 S 9/2006 Li
 D529,339 S 10/2006 Carreno et al.
 D530,611 S 10/2006 Nusbaum et al.
 D533,061 S * 12/2006 Li D9/443
 D538,110 S 3/2007 Kitamura et al.
 D556,575 S 12/2007 Nusbaum et al.
 D589,743 S * 4/2009 Pearson D7/392
 D590,661 S 4/2009 Kitamura et al.
 D592,012 S 5/2009 Carreno
 D608,640 S 1/2010 Carreno
 D610,402 S 2/2010 Carreno
 D628,482 S 12/2010 Tiesberger
 D652,682 S 1/2012 Eyal
 D655,580 S 3/2012 Kotani
 D655,581 S 3/2012 Kotani
 D667,269 S 9/2012 Pallotto
 D668,503 S 10/2012 Kotani
 D669,310 S 10/2012 Barreto et al.
 D675,060 S * 1/2013 Lane D7/392.1
 D686,040 S 7/2013 Lane
 D690,162 S 9/2013 Staton
 D690,557 S 10/2013 Carreno et al.
 D690,558 S 10/2013 Lane
 D693,630 S * 11/2013 Hurley D7/392.1
 D695,069 S 12/2013 Lane
 D702,505 S 4/2014 Nakatani

D709,734 S 7/2014 Kotani
 D709,764 S 7/2014 Gibb
 D710,653 S 8/2014 Goto et al.
 D717,601 S * 11/2014 Dixon D7/510
 D718,626 S 12/2014 Lane
 D721,250 S * 1/2015 Chen D7/510
 D725,966 S 4/2015 Boroski et al.
 D725,967 S 4/2015 Peng
 D729,011 S 5/2015 Boroski
 D729,585 S 5/2015 Boroski
 D730,123 S 5/2015 He
 D739,183 S 9/2015 Lane
 D740,605 S * 10/2015 Wodka D7/396.2
 D741,655 S 10/2015 Whelan et al.
 D742,684 S * 11/2015 Hurley D7/396.2
 D743,742 S 11/2015 Rummel et al.
 D744,781 S 12/2015 Rummel et al.
 D745,827 S 12/2015 Sorensen et al.
 D746,680 S * 1/2016 Orasche D9/448
 D747,147 S 1/2016 Sanbar
 D747,201 S 1/2016 Pellerin
 D747,918 S 1/2016 Herbst et al.
 D748,430 S 2/2016 Sorensen et al.
 D748,477 S 2/2016 Herbst et al.
 D748,949 S 2/2016 Long, Sr. et al.
 D767,336 S * 9/2016 Waggoner D7/507
 2006/0226110 A1 * 10/2006 Choi A47G 19/2266
 215/228
 2015/0201775 A1 * 7/2015 Sorensen A47G 19/2266
 222/482

* cited by examiner

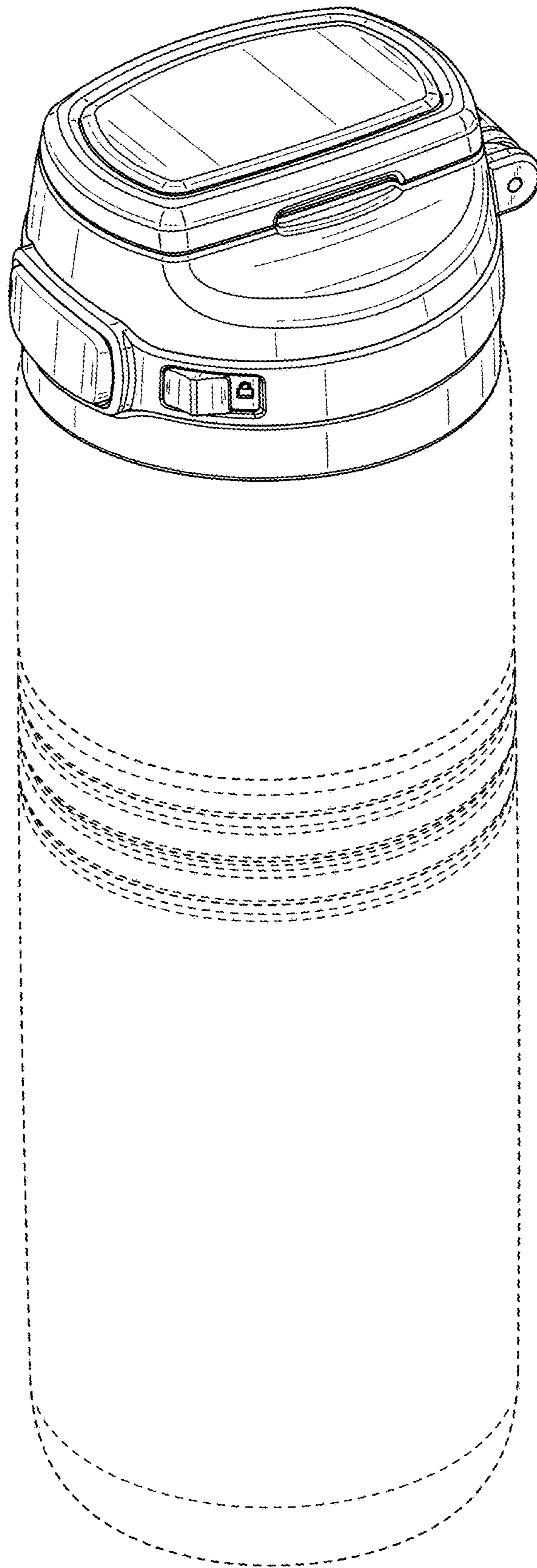


FIG. 1

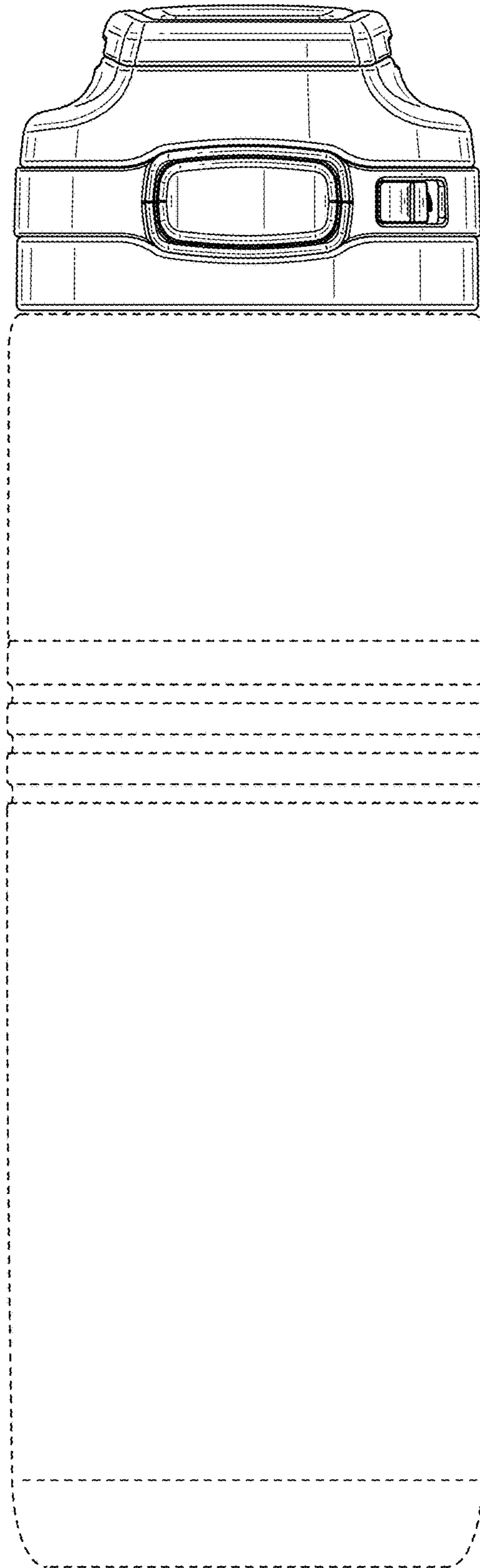


FIG. 2

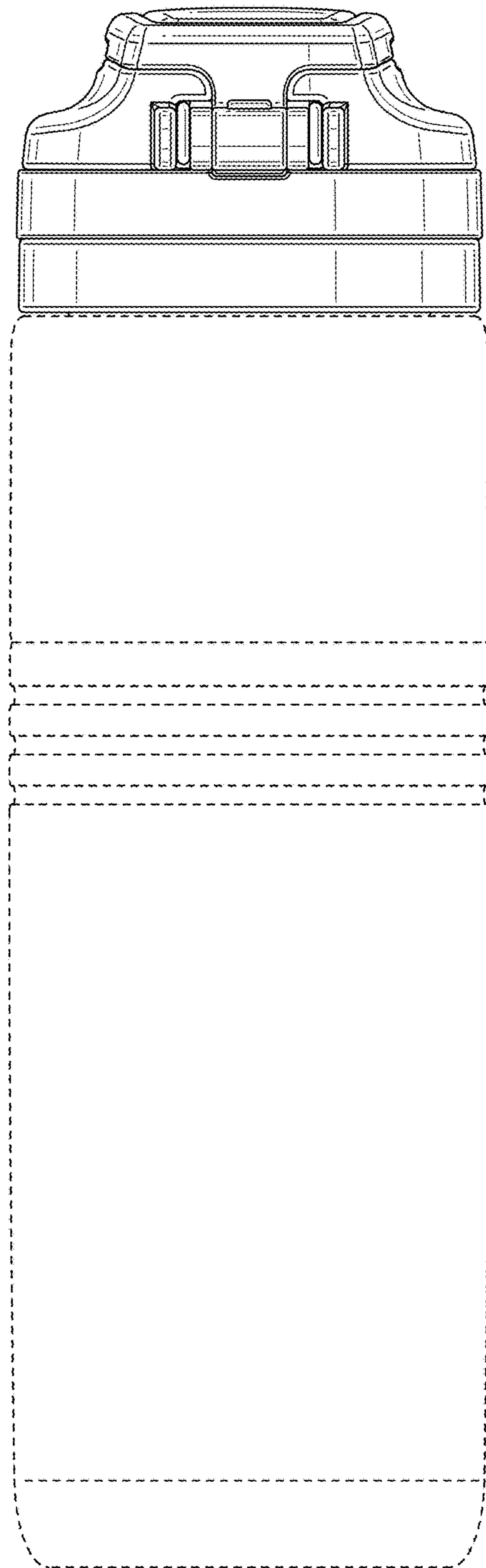


FIG. 3

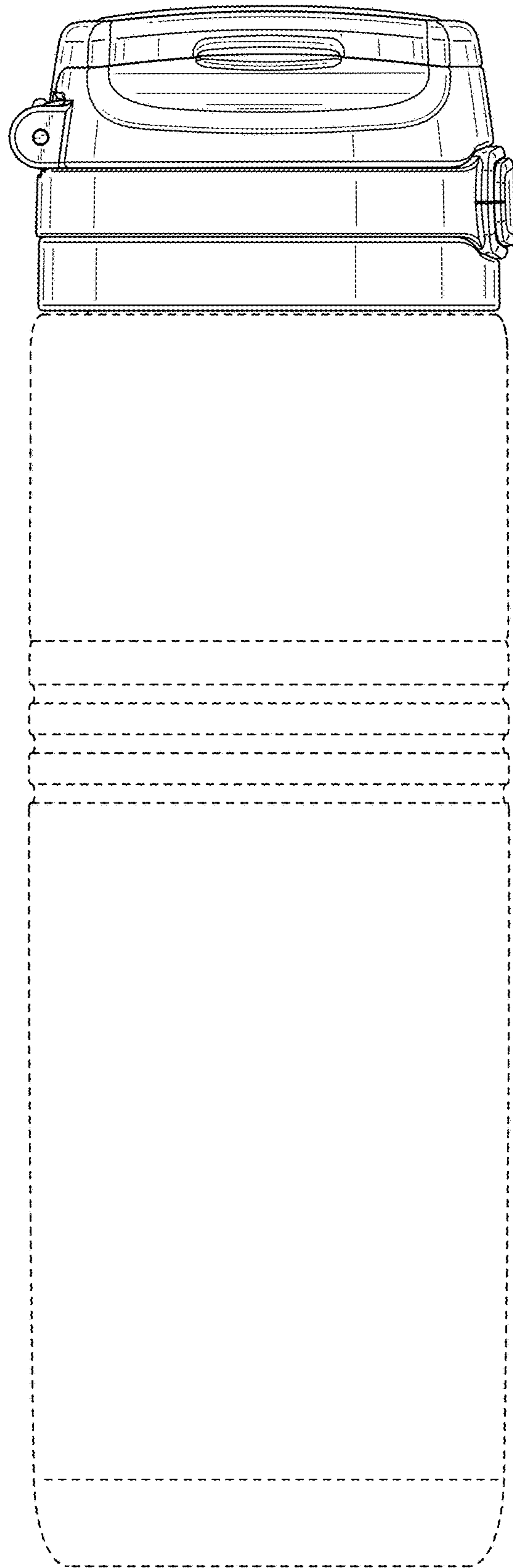


FIG. 4

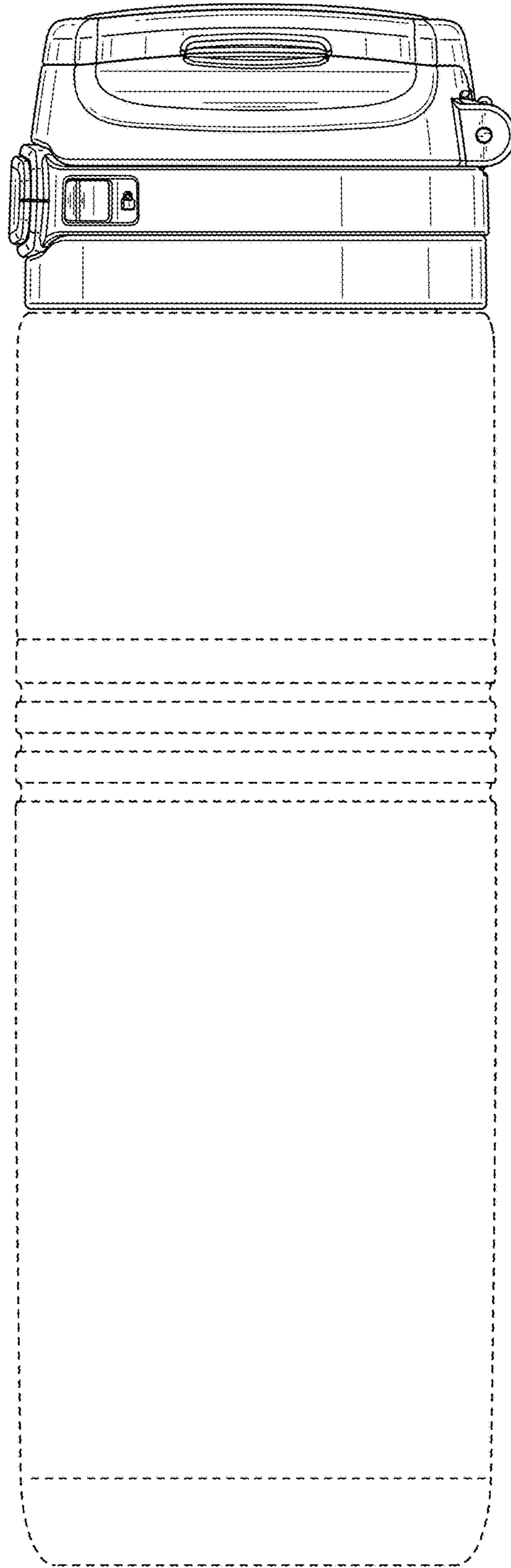


FIG. 5

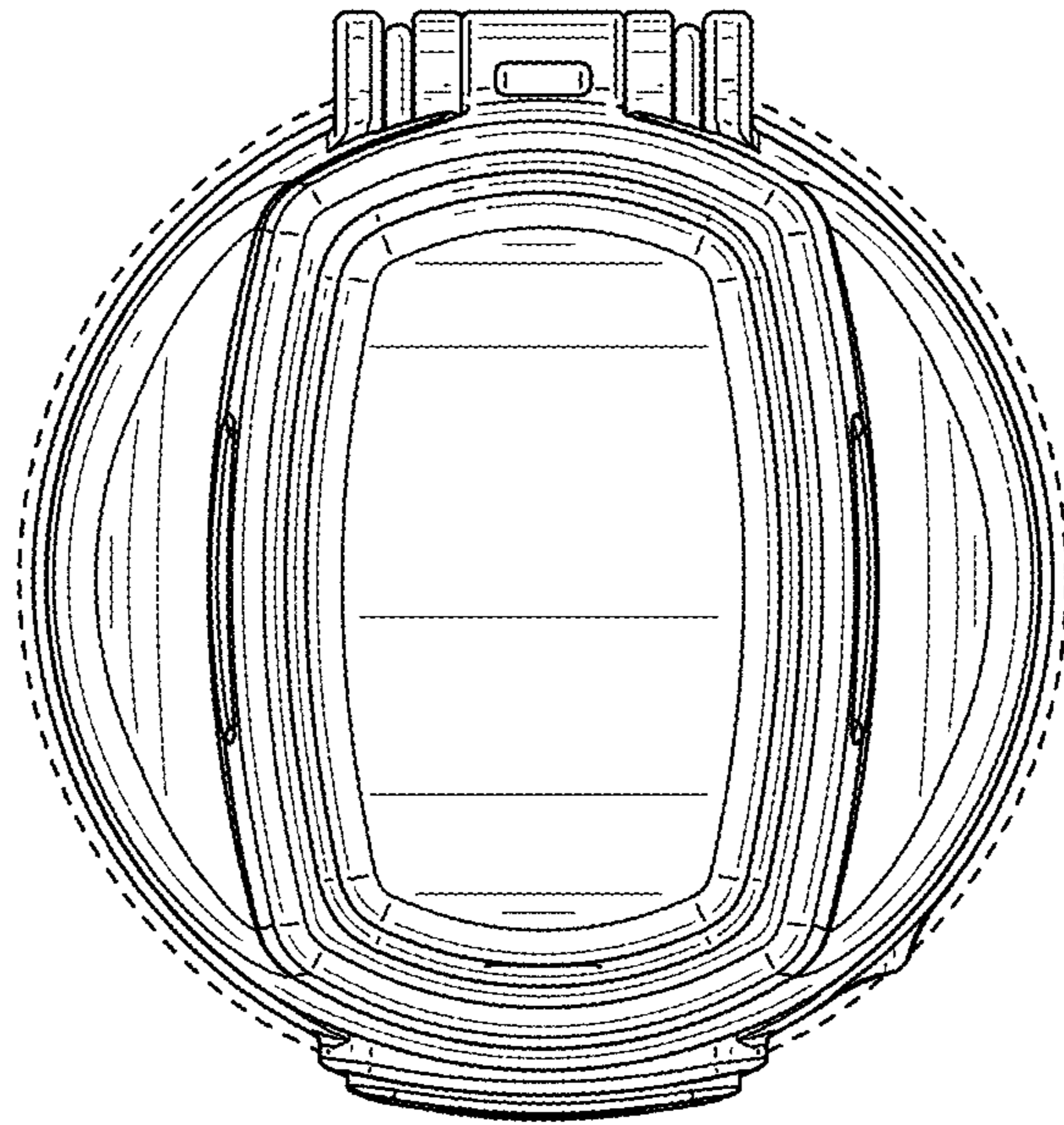


FIG. 6

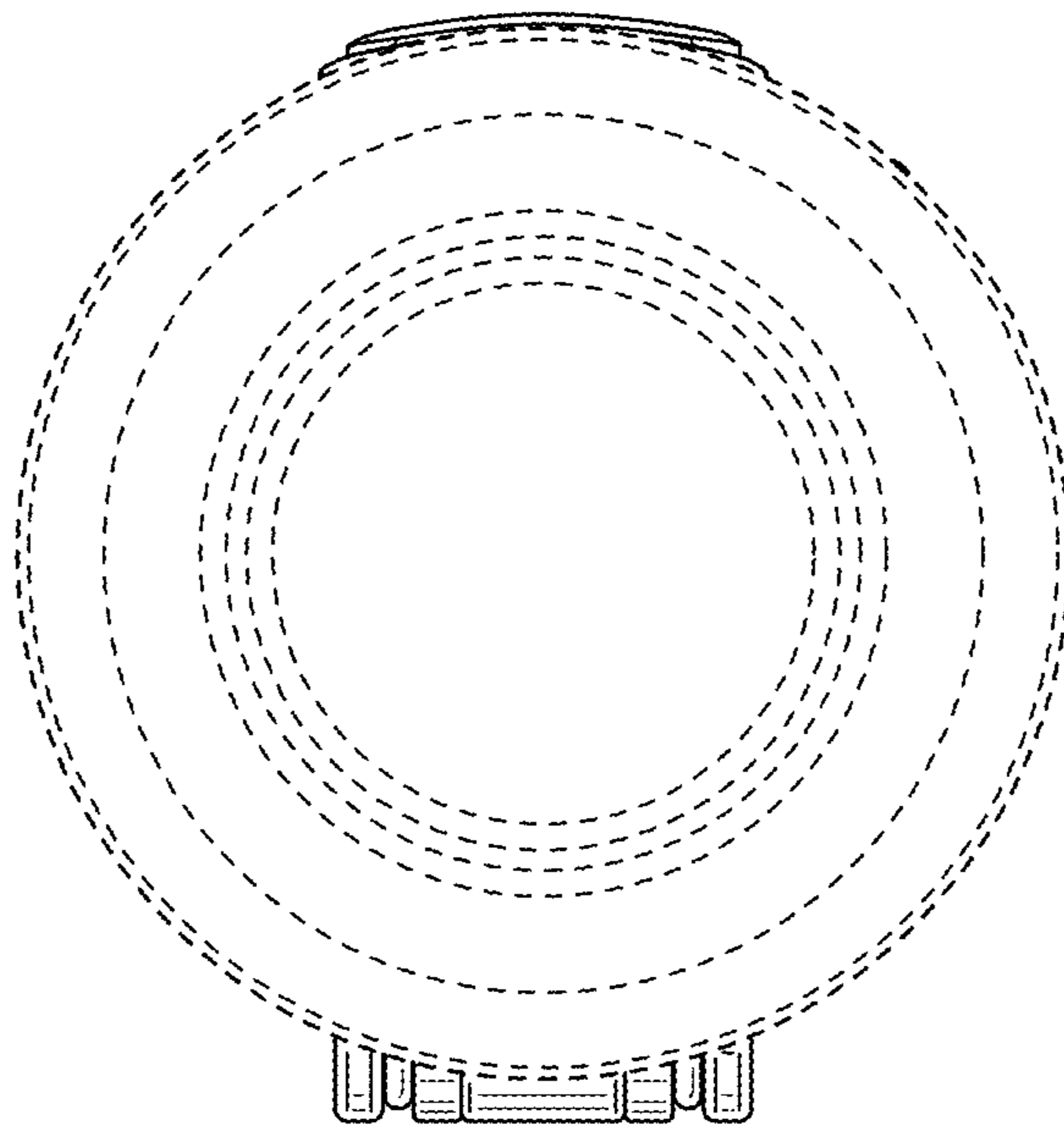


FIG. 7

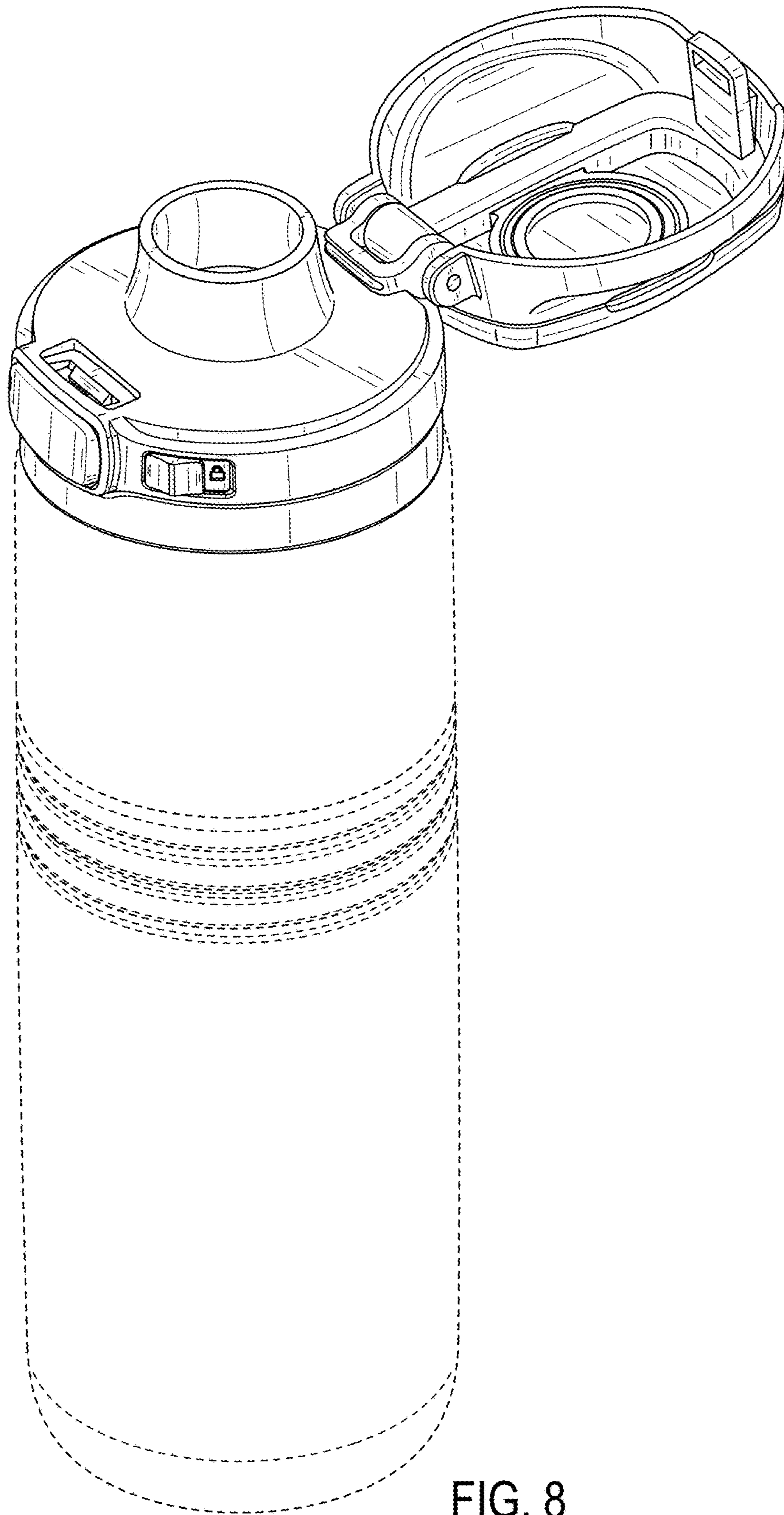


FIG. 8

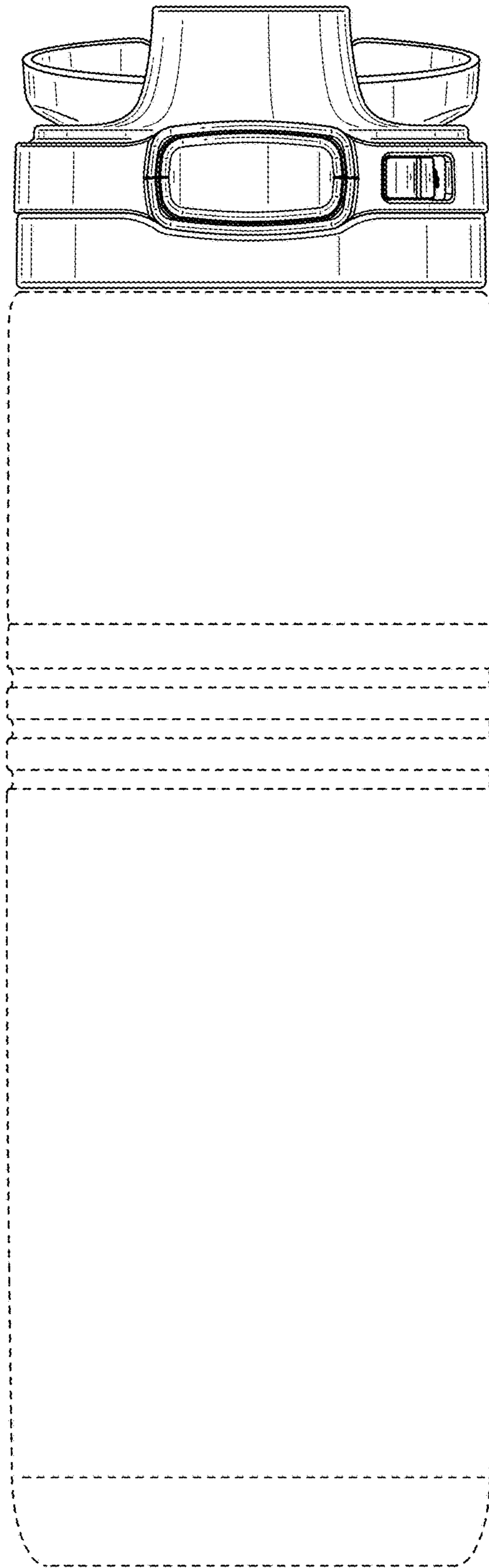


FIG. 9

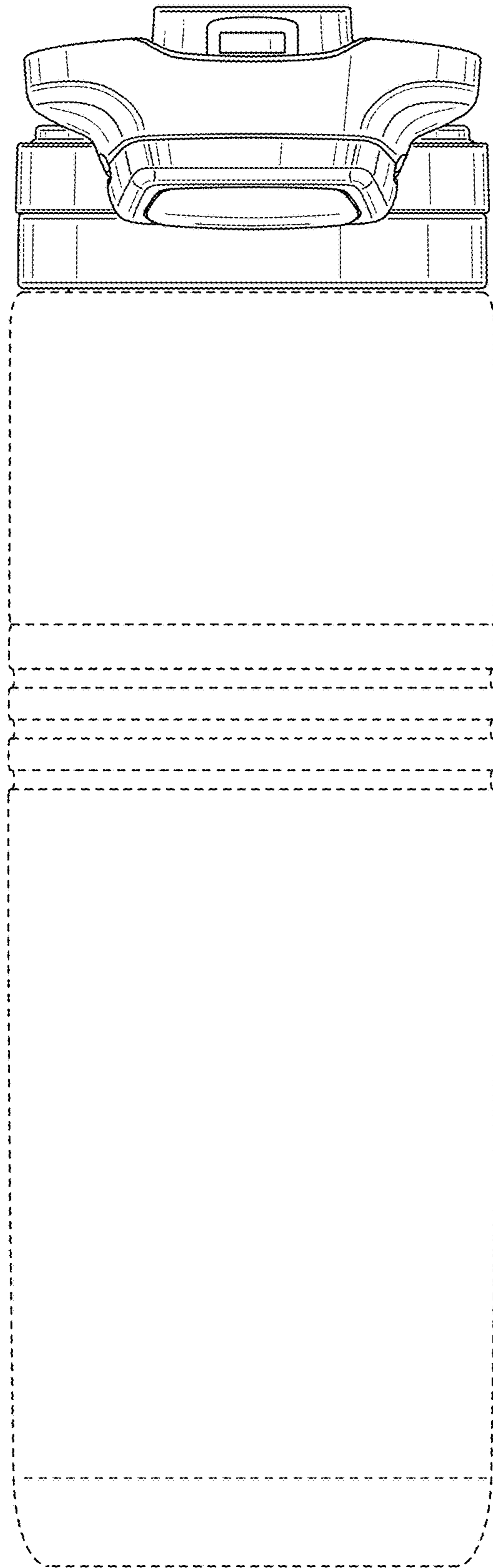


FIG. 10

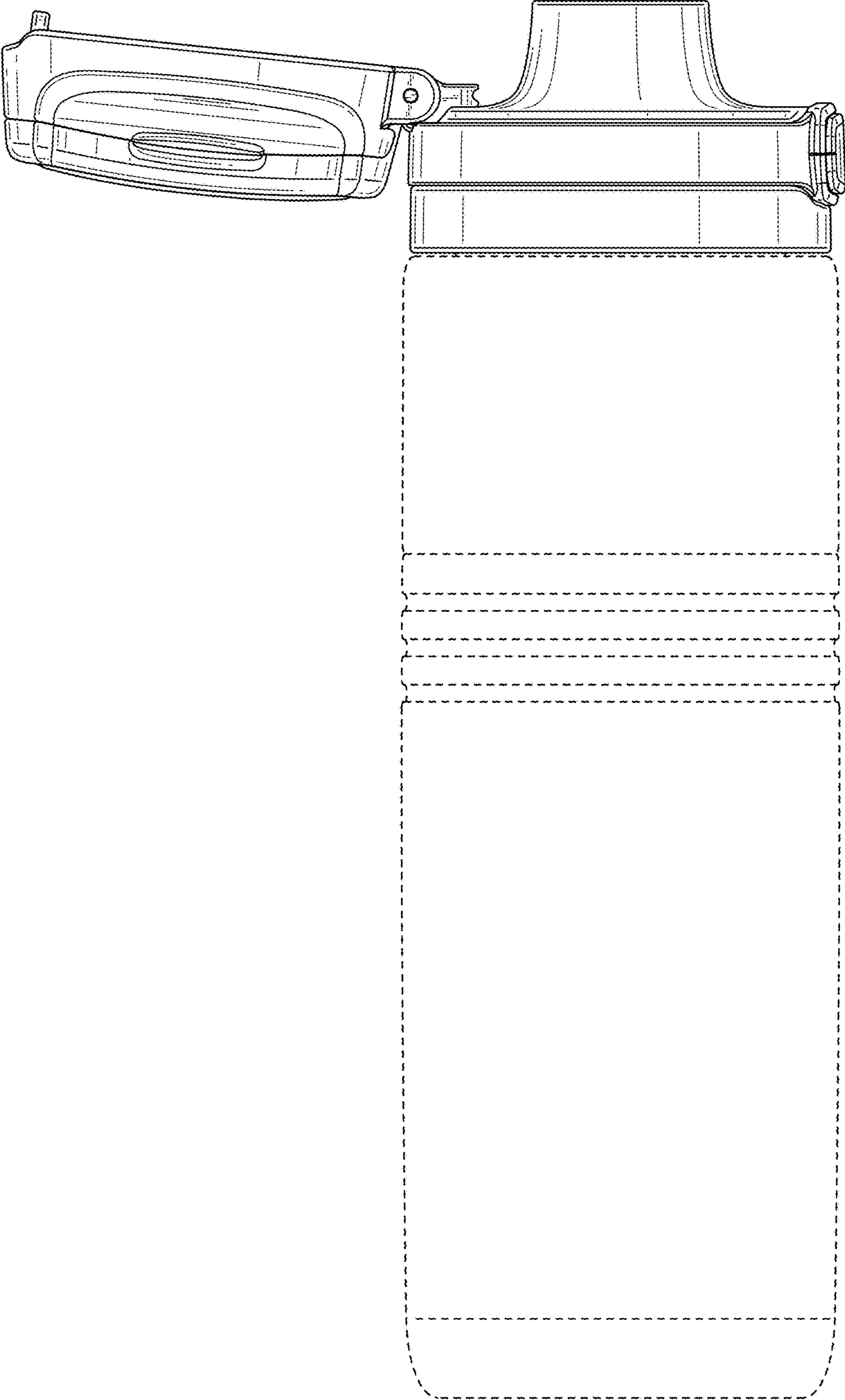


FIG. 11

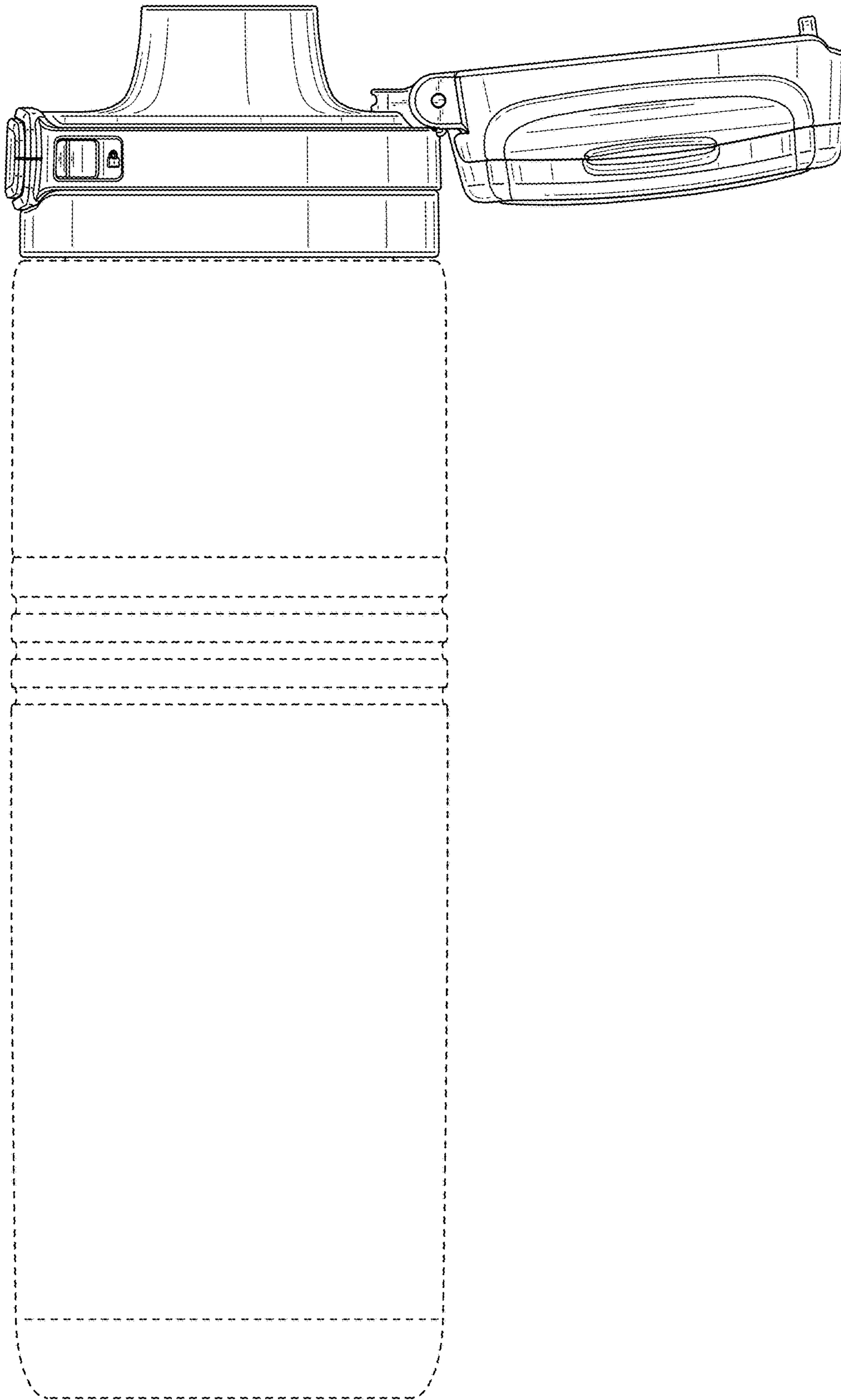


FIG. 12

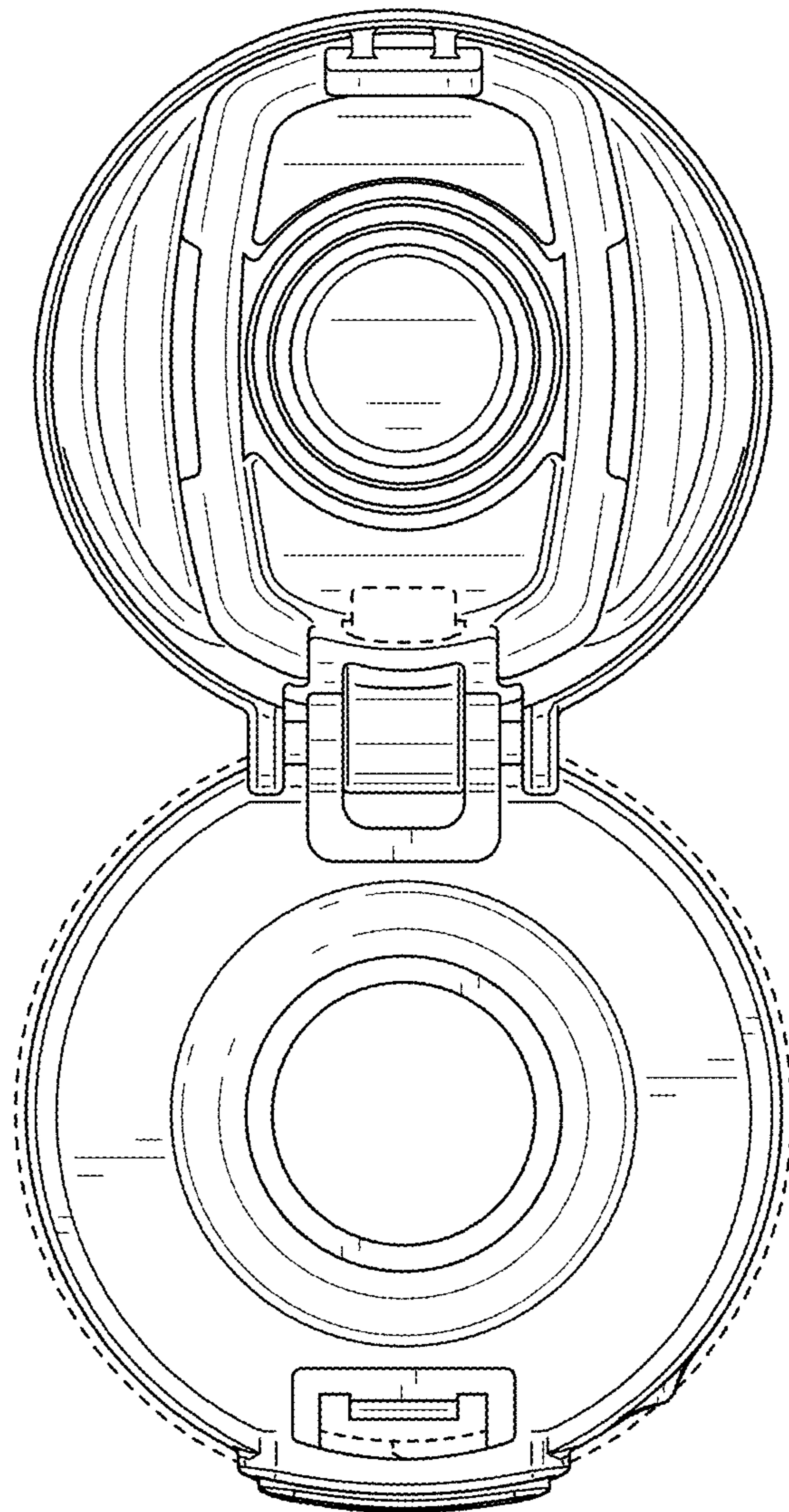


FIG. 13

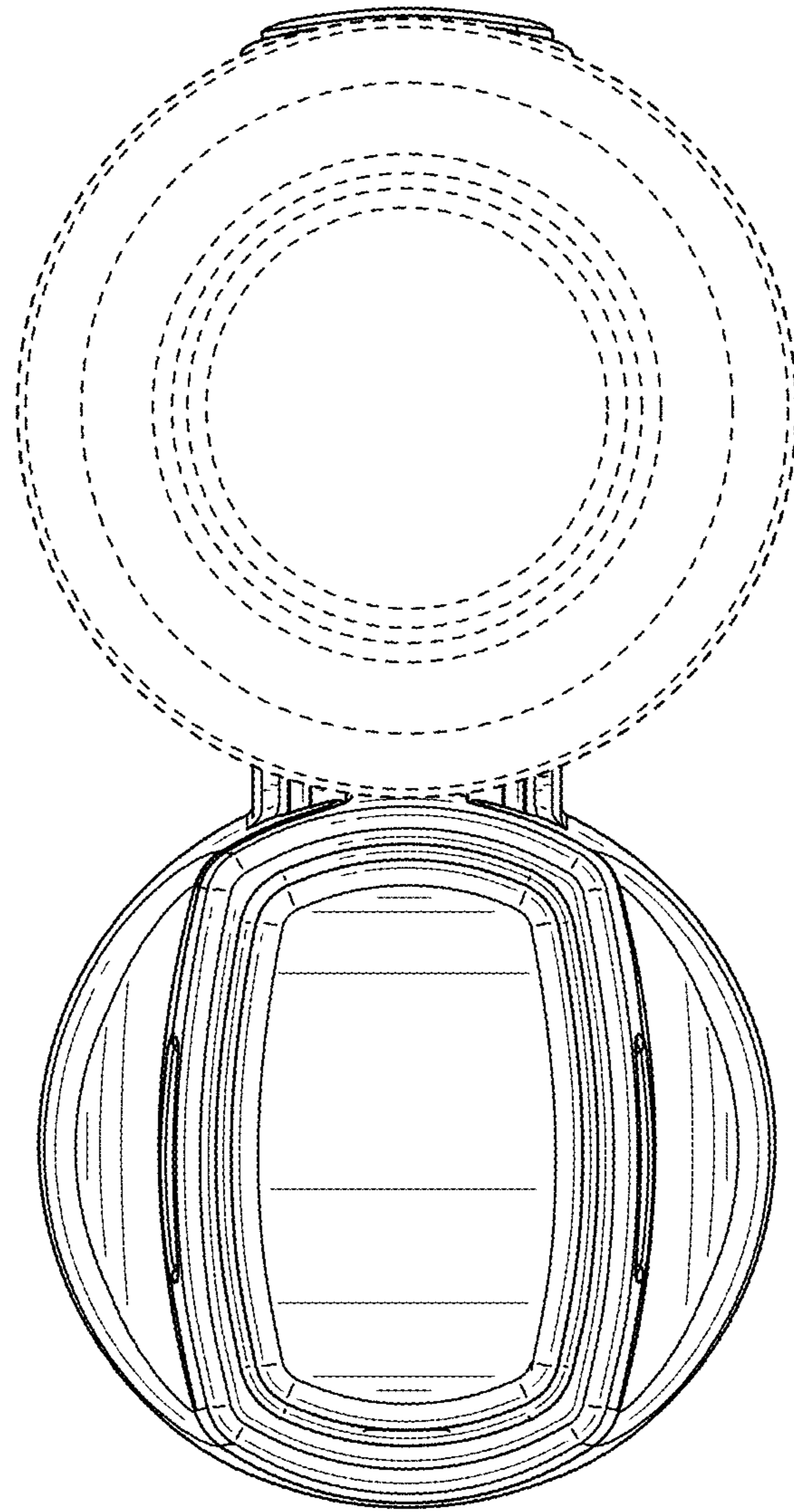


FIG. 14

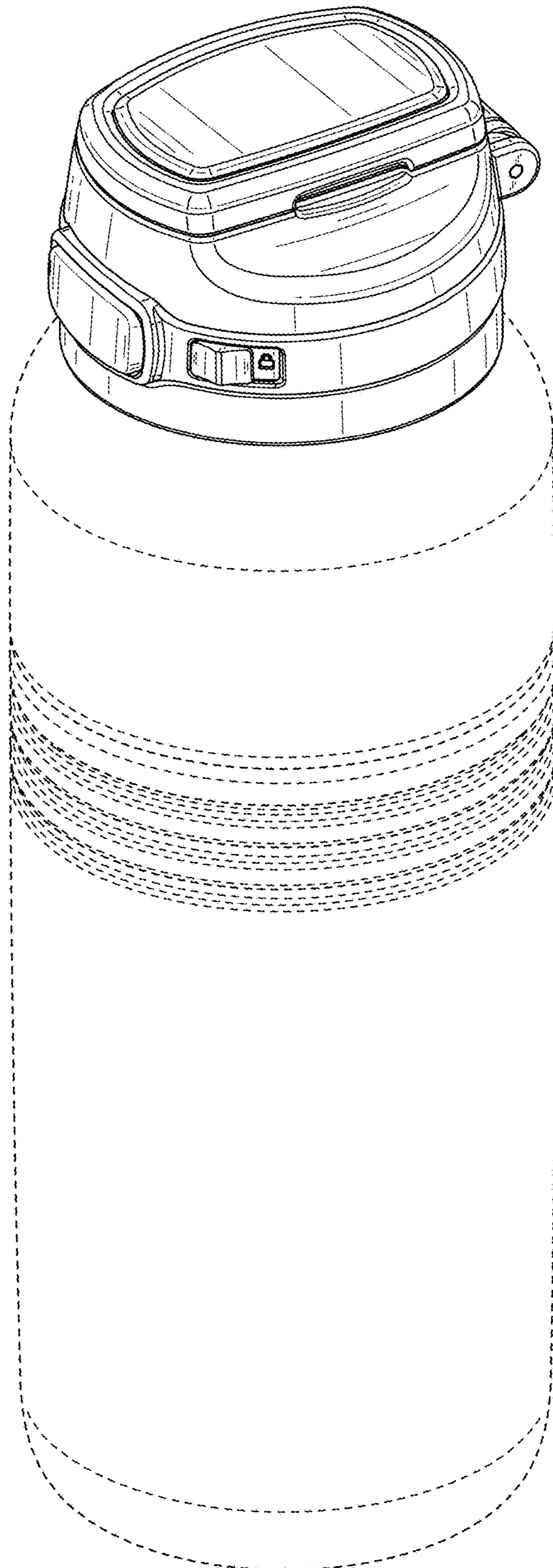


FIG. 15

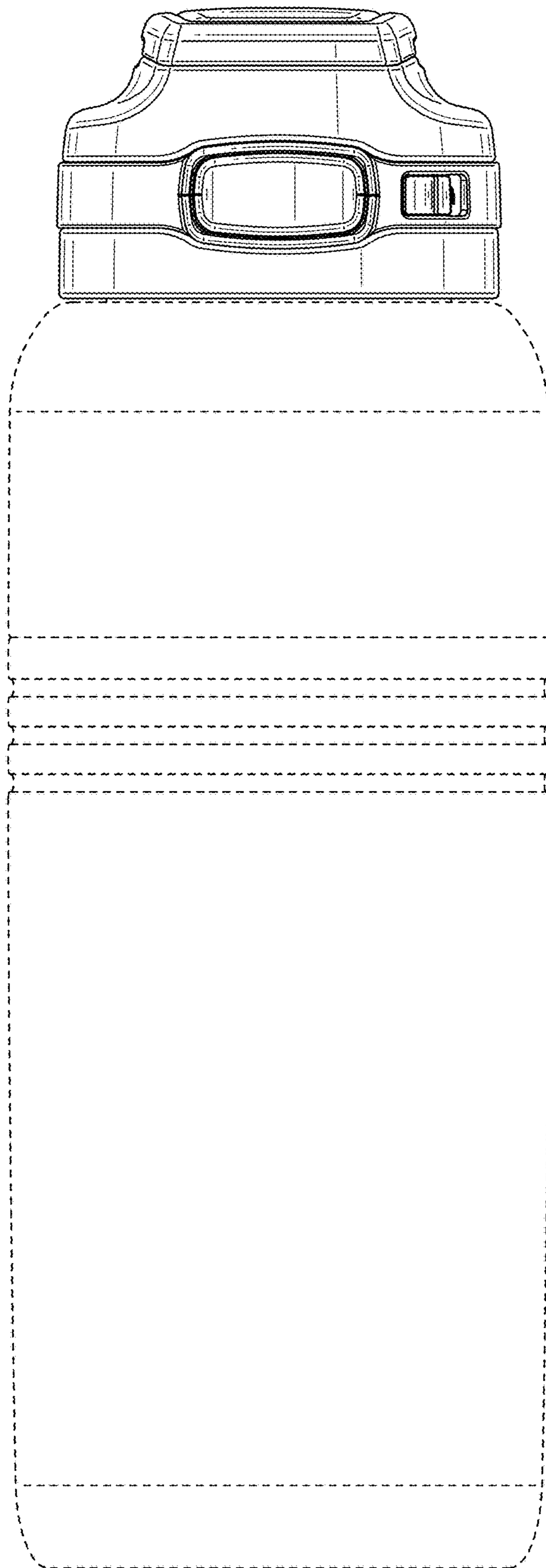


FIG. 16

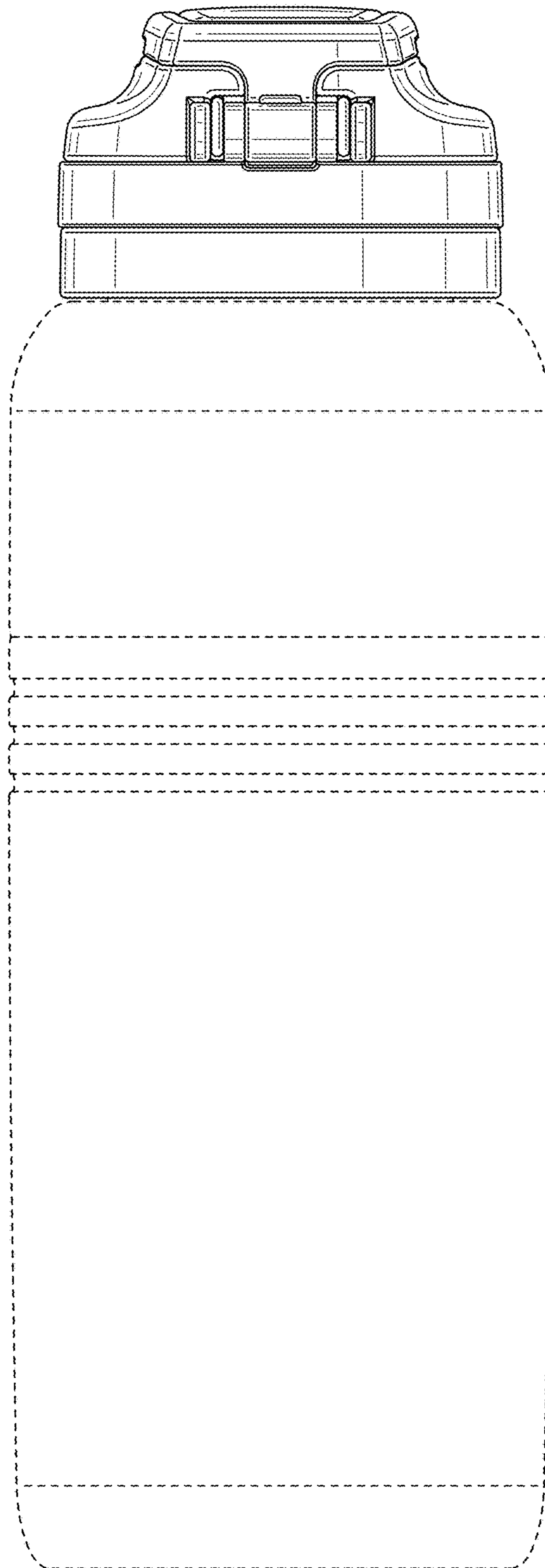


FIG. 17

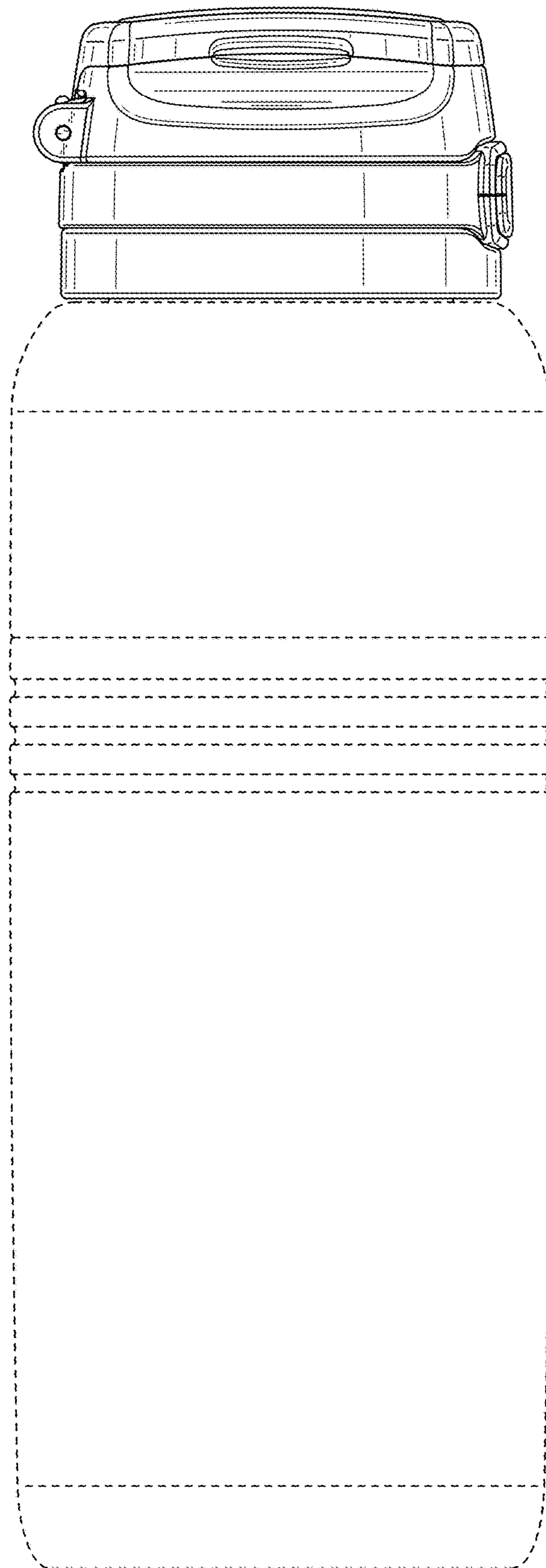


FIG. 18

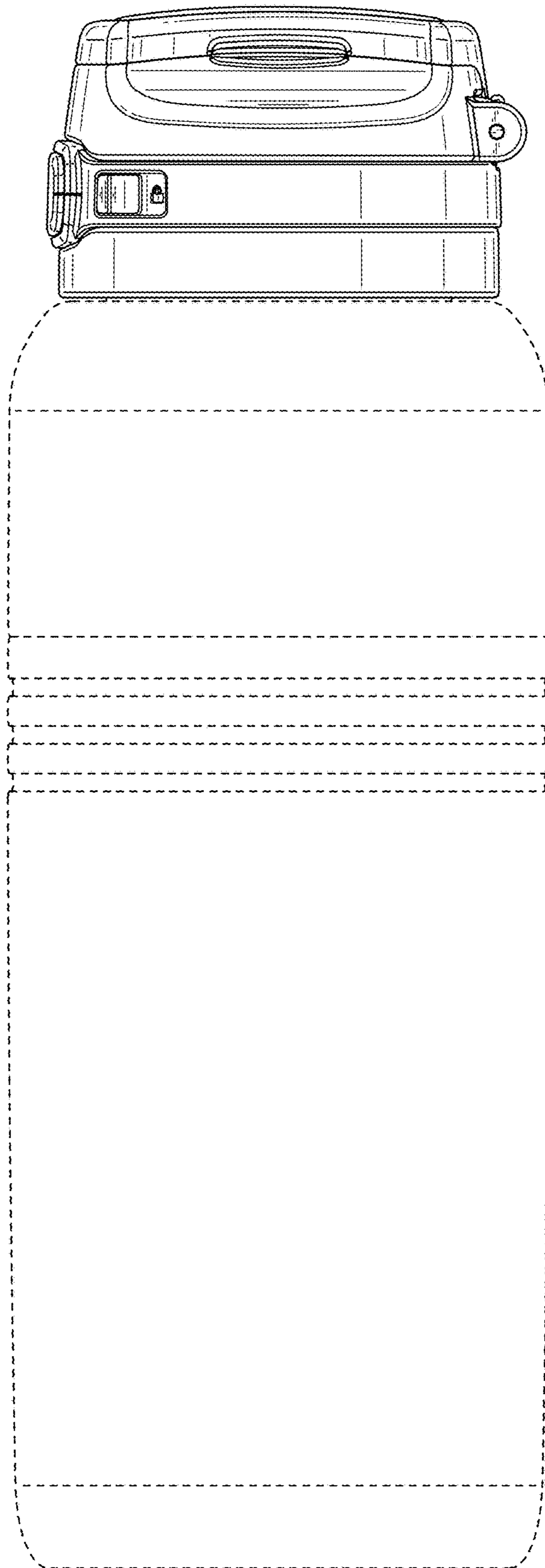


FIG. 19

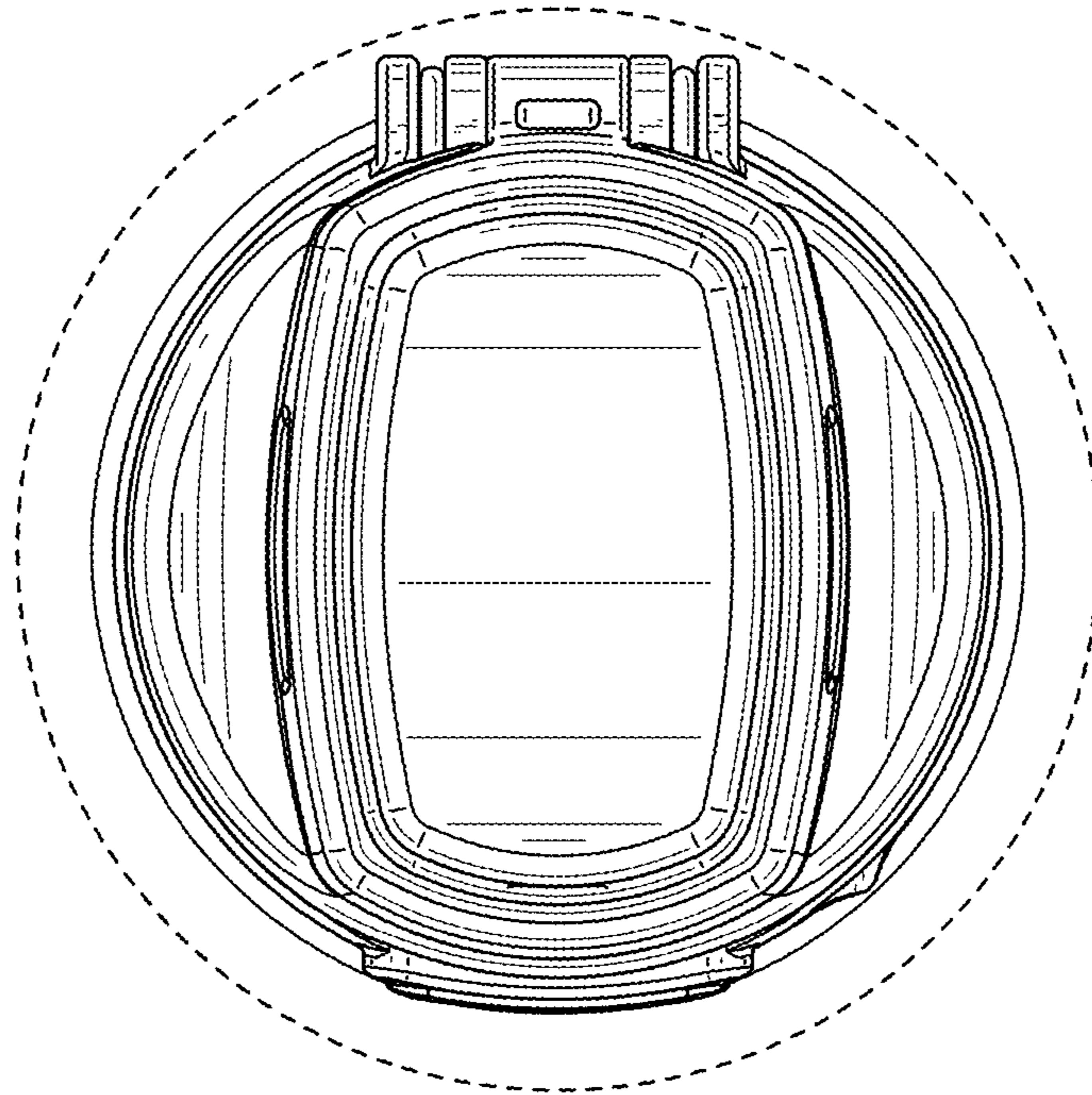


FIG. 20

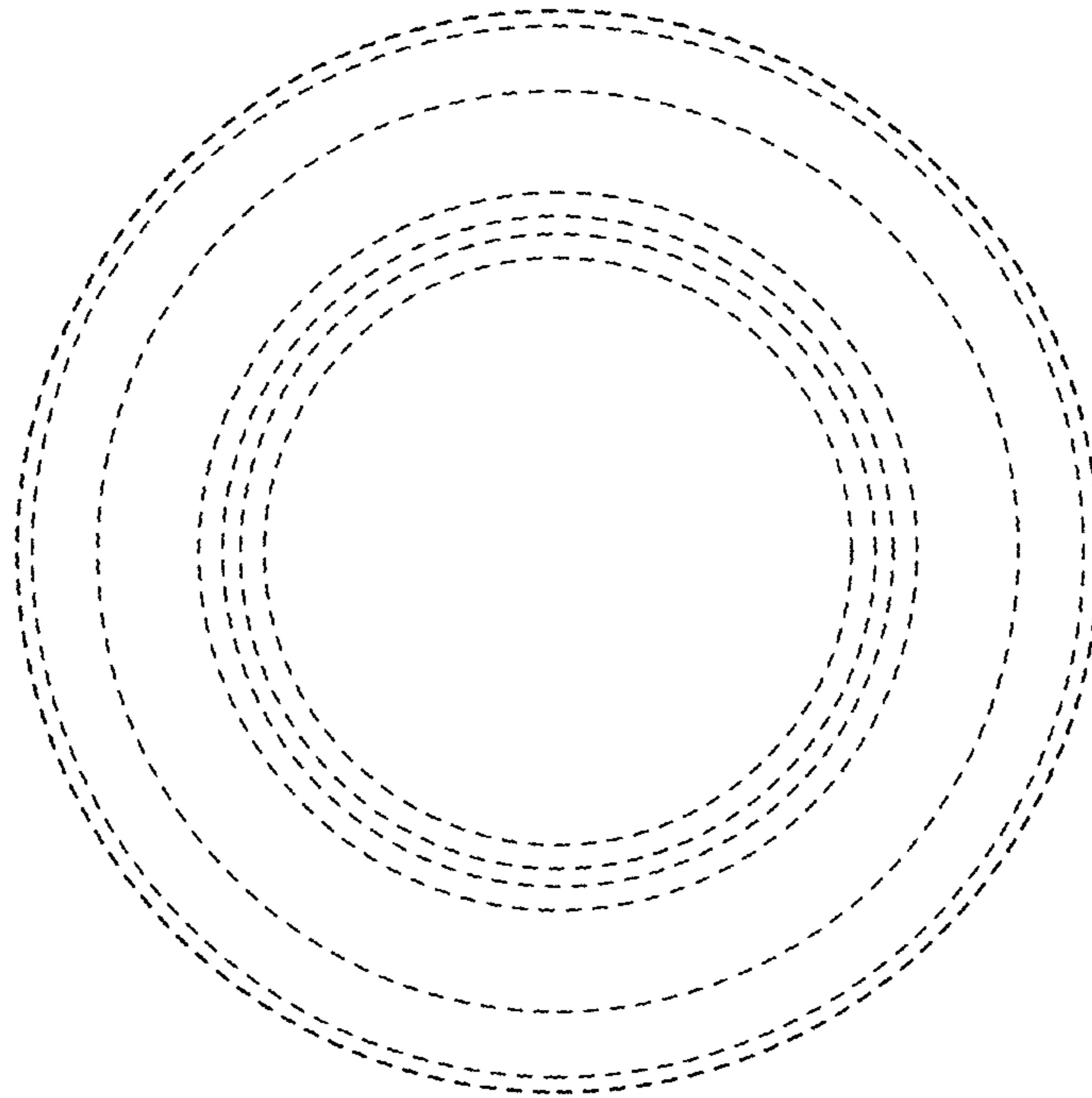


FIG. 21

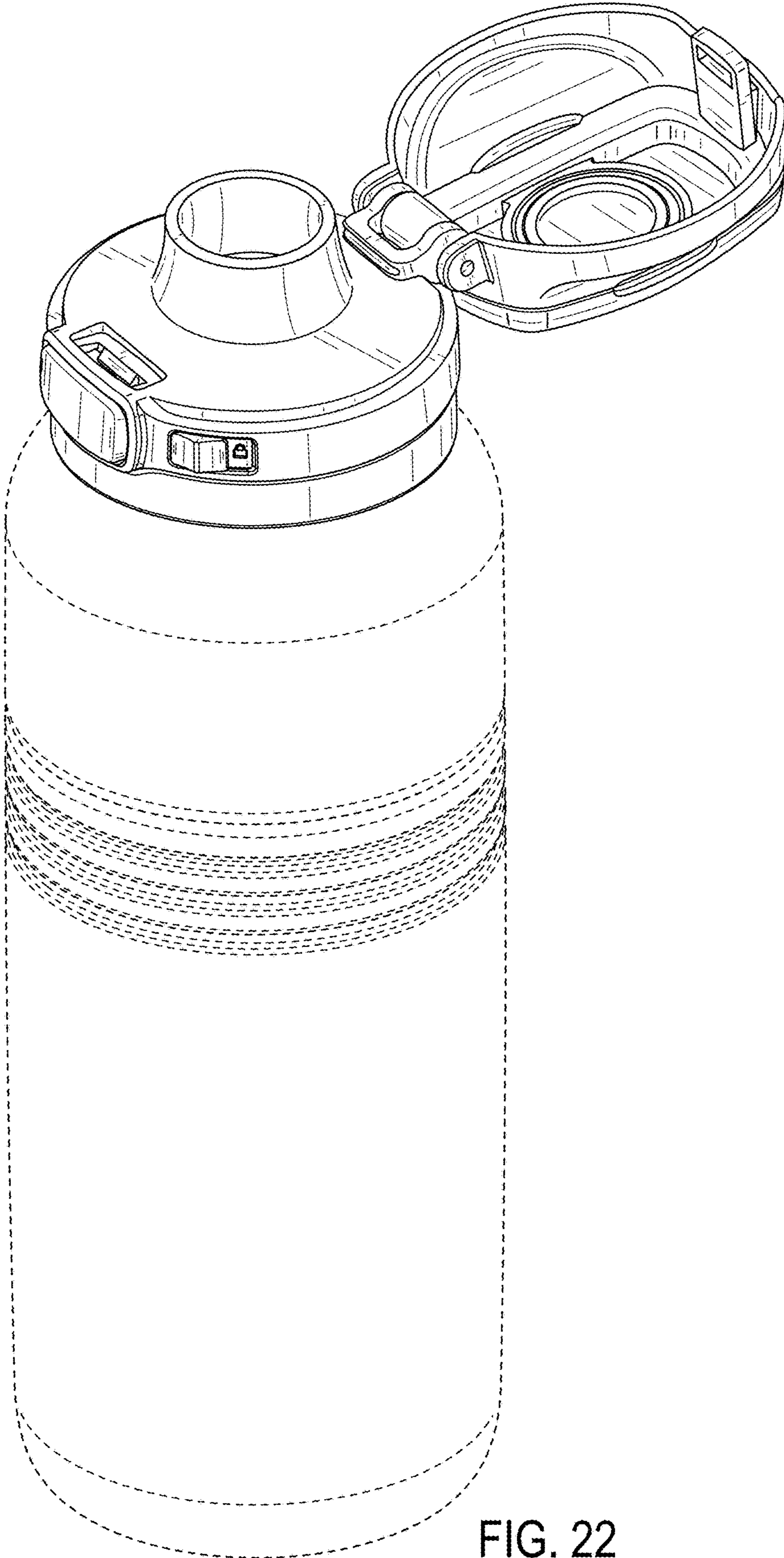


FIG. 22

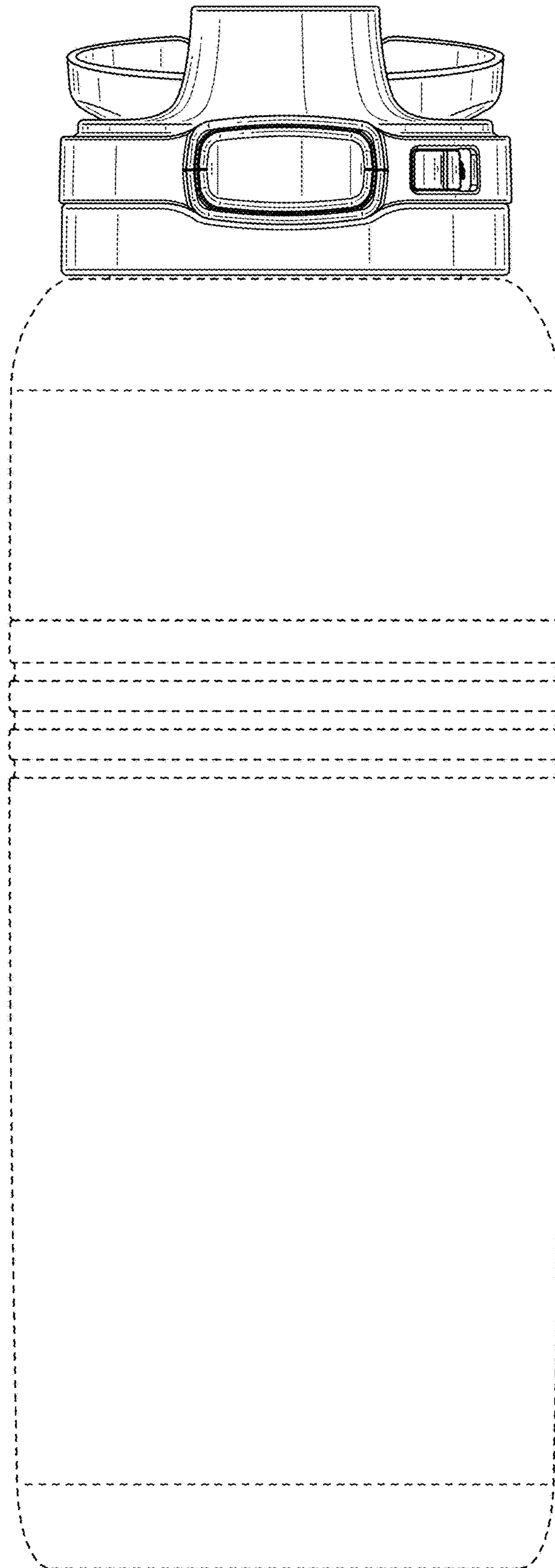


FIG. 23

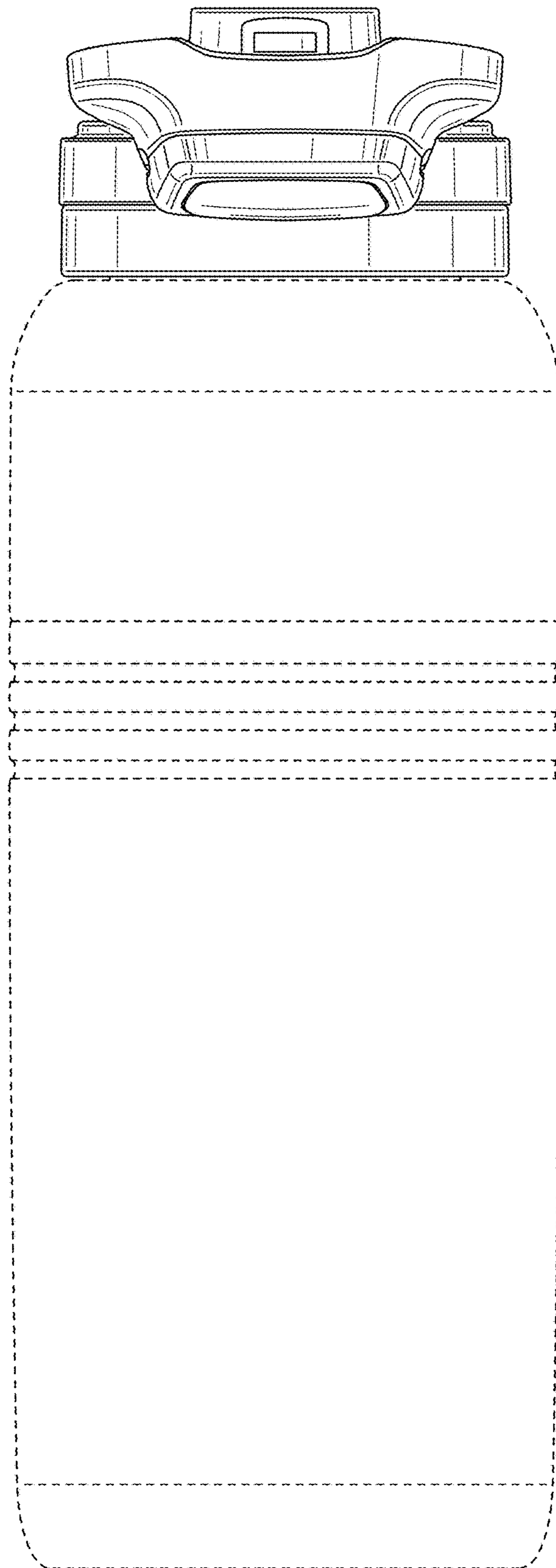


FIG. 24

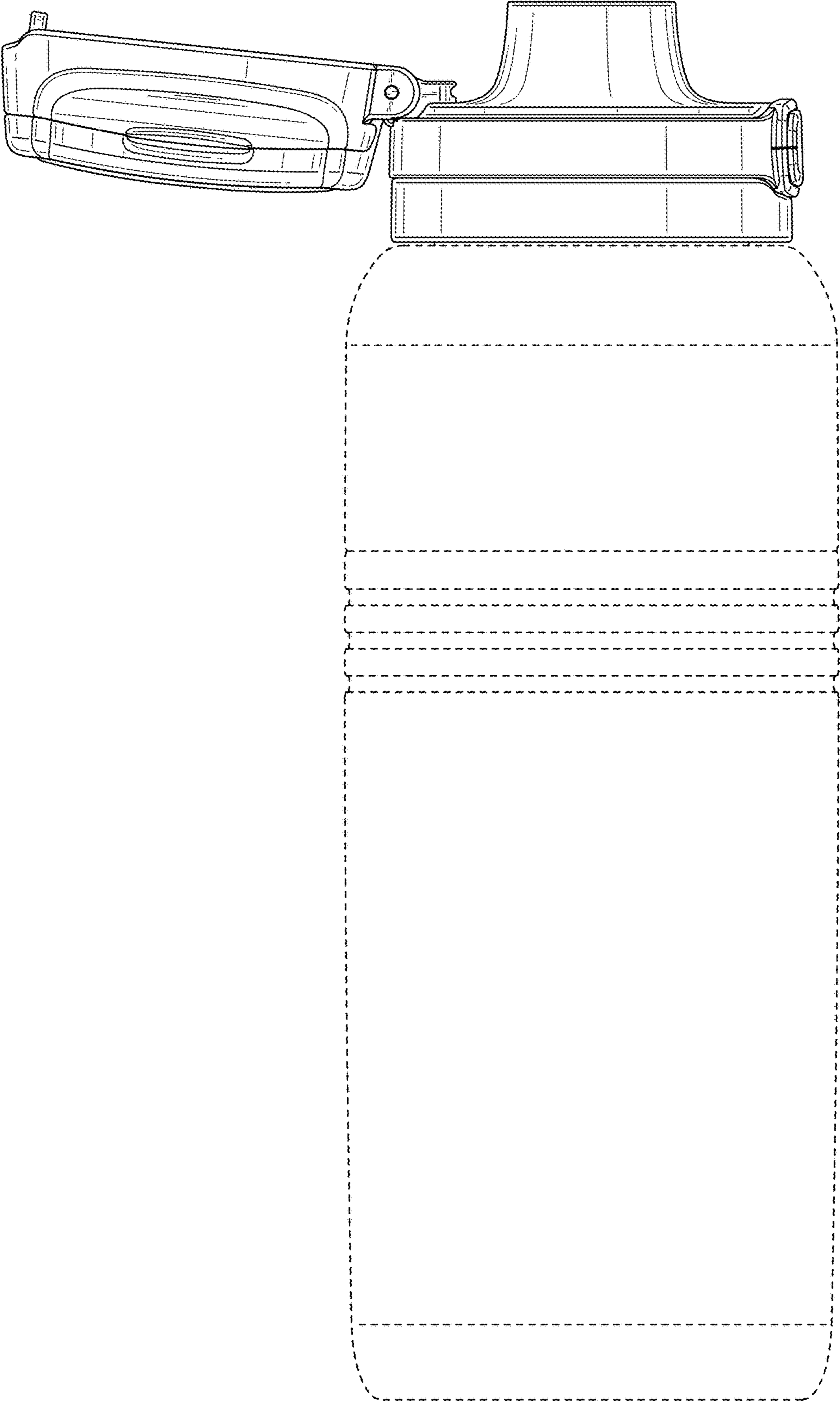


FIG. 25

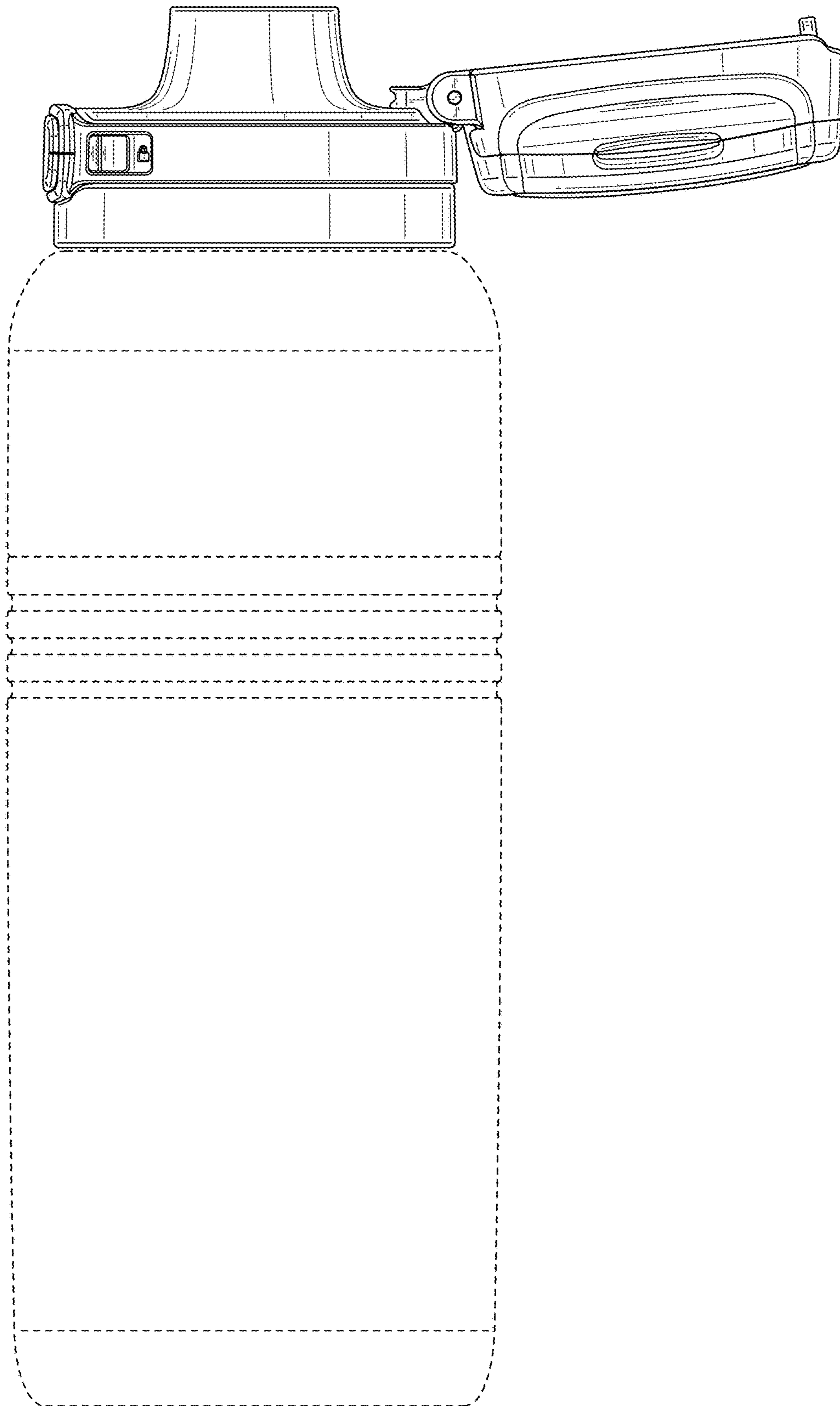


FIG. 26

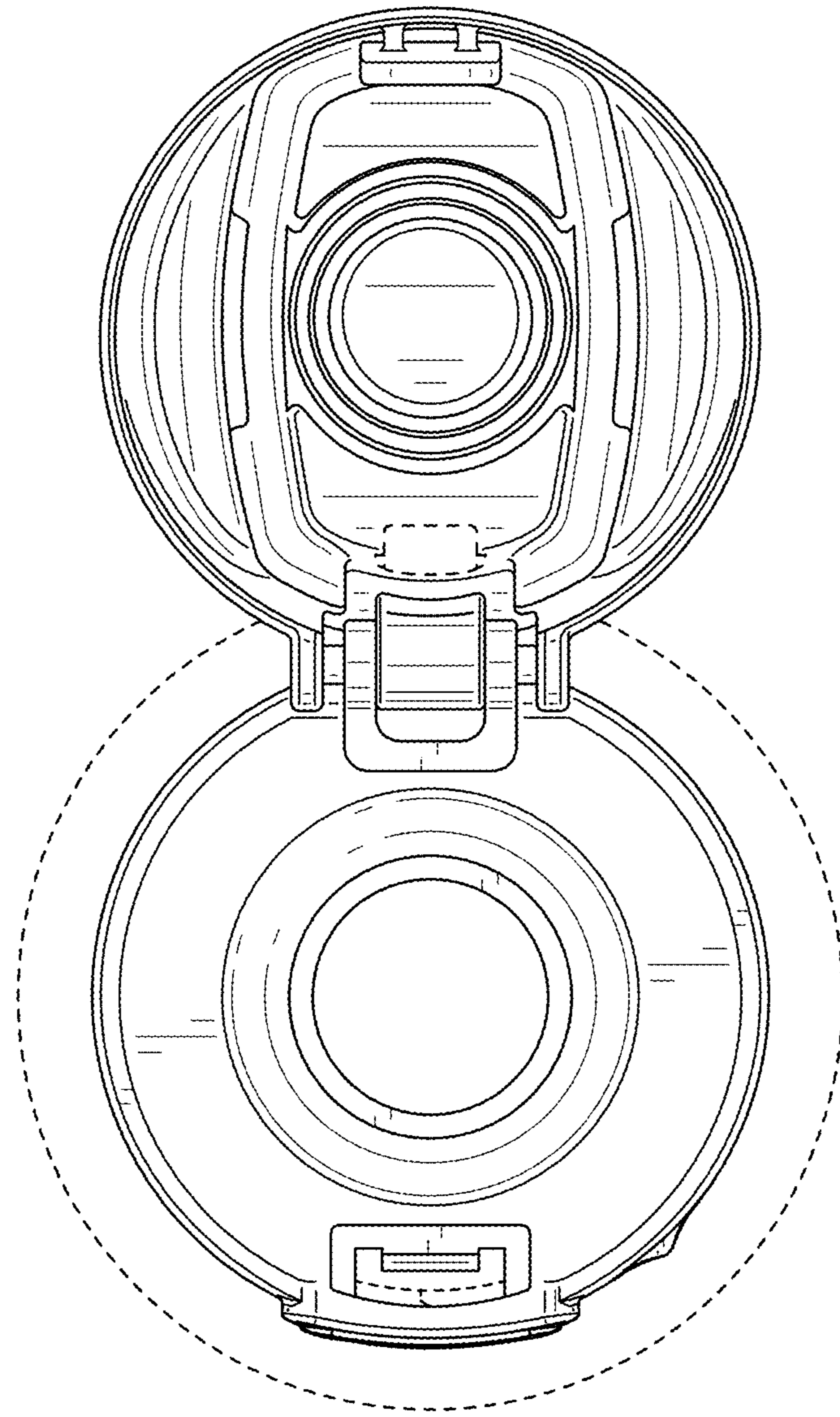


FIG. 27

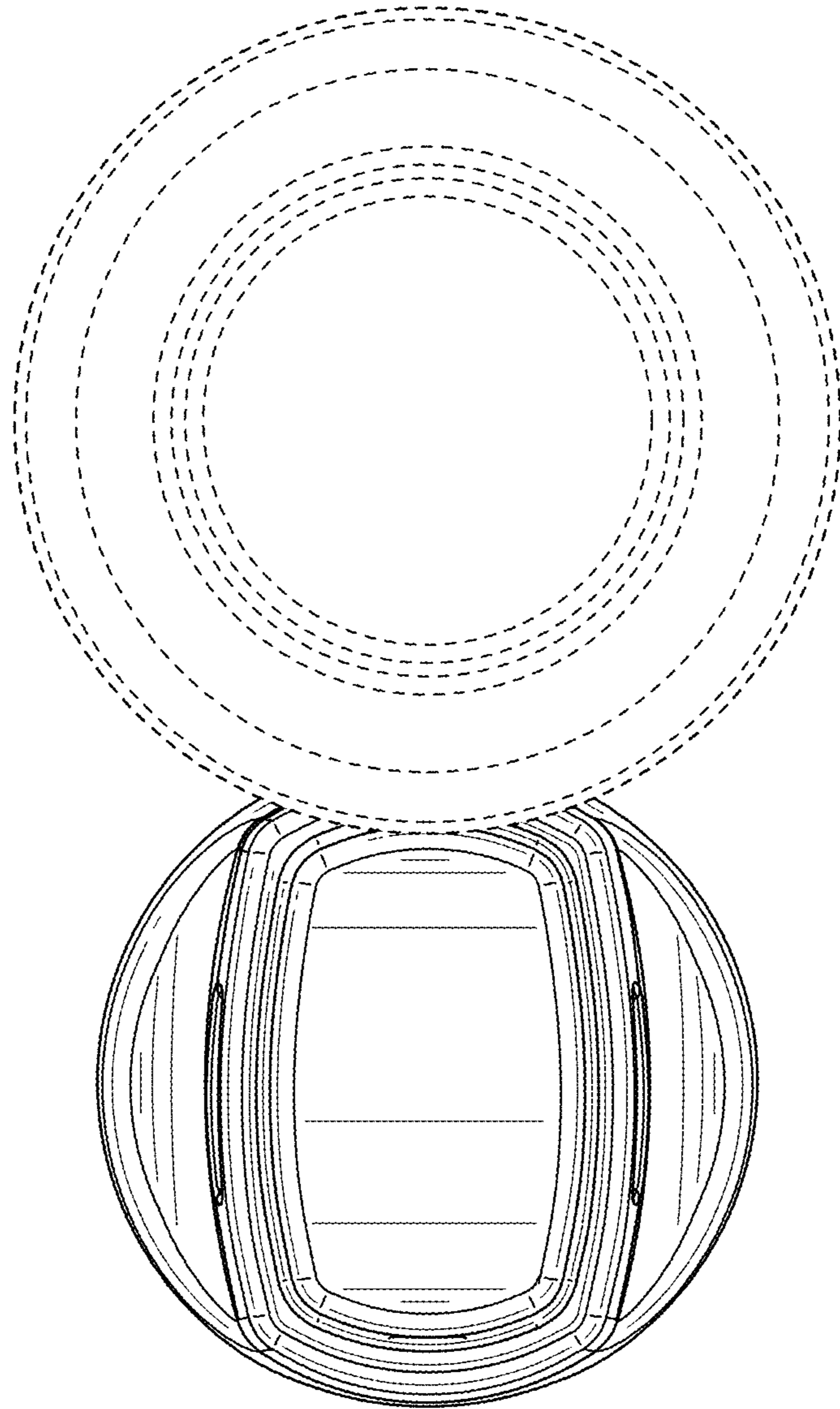


FIG. 28