



US00D804903S

(12) **United States Design Patent** (10) **Patent No.:** **US D804,903 S**  
**Mason et al.** (45) **Date of Patent:** **\*\* Dec. 12, 2017**

(54) **STRAW LID**

(71) Applicant: **Igloo Products Corp.**, Katy, TX (US)

(72) Inventors: **John Mason**, Bridgewater, MA (US);  
**Brandon Stroud**, Smyrna, GA (US)

(73) Assignee: **Igloo Products Corp.**, Katy, TX (US)

(\*\*) Term: **15 Years**

(21) Appl. No.: **29/557,001**

(22) Filed: **Mar. 4, 2016**

(51) **LOC (10) Cl.** ..... **07-01**

(52) **U.S. Cl.**  
USPC ..... **D7/510**

(58) **Field of Classification Search**  
USPC ..... D7/510, 511, 608, 300.1, 591, 392.1,  
D7/396.2, 529, 533-536; D9/503, 504,  
D9/434

CPC .... A47G 19/22; A47G 19/2205; B65D 41/04;  
B65D 43/02

See application file for complete search history.

(56) **References Cited**

**U.S. PATENT DOCUMENTS**

D204,326 S	4/1966	Wilson
D206,499 S	12/1966	Wilson
D214,722 S	7/1969	Hazard
D214,882 S	8/1969	Hazard
D214,883 S	8/1969	Hazard
D214,884 S	8/1969	Hazard

(Continued)

*Primary Examiner* — Daniel Bui

*Assistant Examiner* — Andrew Kerr

(74) *Attorney, Agent, or Firm* — Mintz Levin Cohn Ferris  
Glovsky and Popeo, P.C.; Steven M. Jensen

(57) **CLAIM**

The ornamental design for a straw lid, as shown and described.

**DESCRIPTION**

FIG. 1 is a perspective view of a first embodiment of a straw lid in a closed state, in use condition, showing our new design;

FIG. 2 is a front view thereof;

FIG. 3 is a back view thereof;

FIG. 4 is a left view thereof;

FIG. 5 is a right view thereof;

FIG. 6 is a top view thereof;

FIG. 7 is a bottom view thereof;

FIG. 8 is a perspective view of a second embodiment of a straw lid in an open state, in use condition;

FIG. 9 is a front view thereof;

FIG. 10 is a back view thereof;

FIG. 11 is a left view thereof;

FIG. 12 is a right view thereof;

FIG. 13 is a top view thereof;

FIG. 14 is a bottom view thereof;

FIG. 15 is a perspective view of a third embodiment of a straw lid in a closed state, in use condition;

FIG. 16 is a front view thereof;

FIG. 17 is a back view thereof;

FIG. 18 is a left view thereof;

FIG. 19 is a right view thereof;

FIG. 20 is a top view thereof;

FIG. 21 is a bottom view thereof;

FIG. 22 is a perspective view of a fourth embodiment of a straw lid in an open state, in use condition;

FIG. 23 is a front view thereof;

FIG. 24 is a back view thereof;

FIG. 25 is a left view thereof;

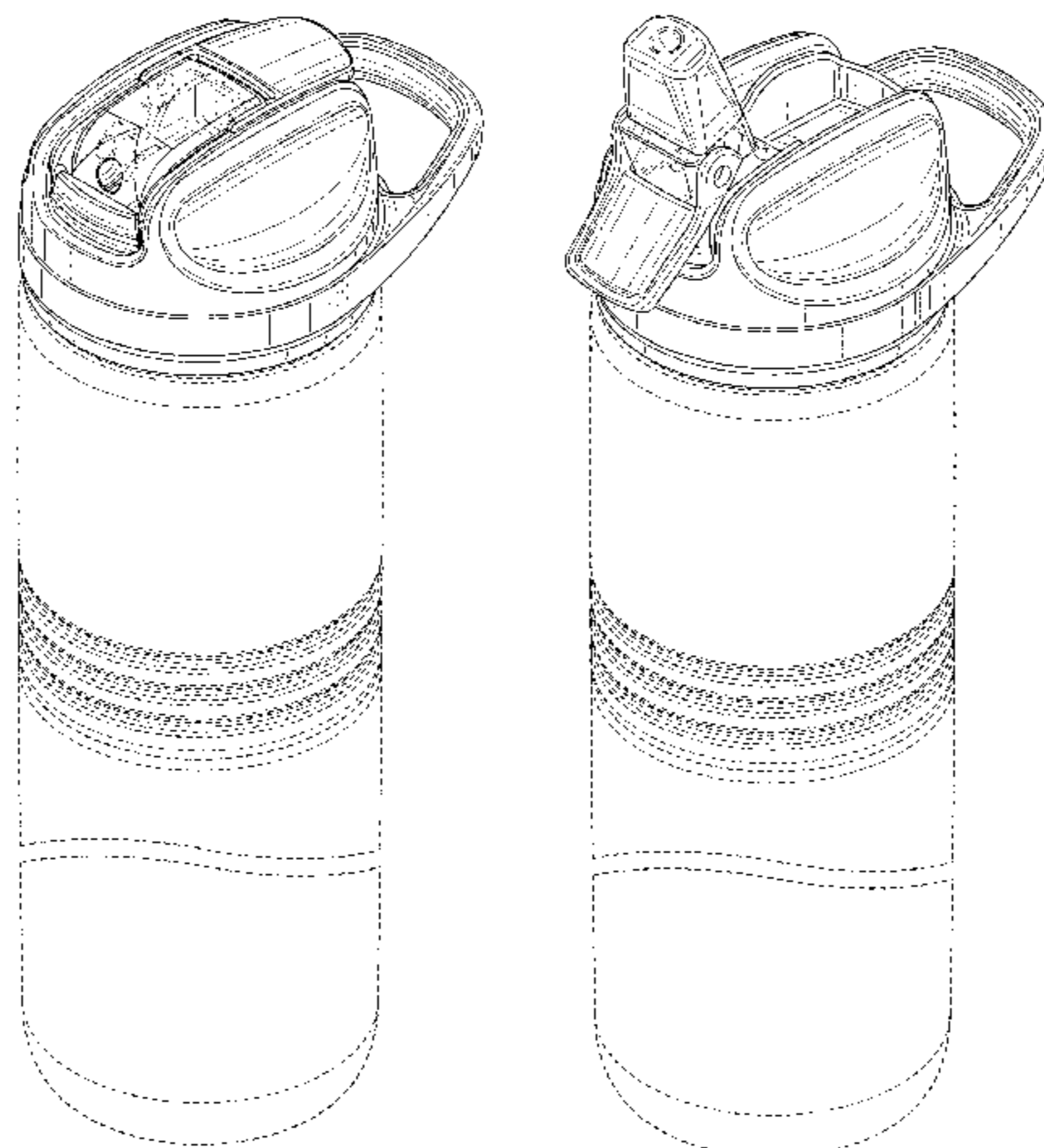
FIG. 26 is a right view thereof;

FIG. 27 is a top view thereof; and,

FIG. 28 is a bottom view thereof.

The broken lines in the drawing views represent unclaimed portions of a straw lid, which are included for the purpose of illustrating unclaimed environment only, and forms no part of the claimed design.

**1 Claim, 28 Drawing Sheets**



(56)

References Cited

U.S. PATENT DOCUMENTS

D275,512 S 9/1984 Shaw  
 D367,206 S 2/1996 Green  
 D370,153 S 5/1996 Chaney et al.  
 D370,630 S 6/1996 Robbins, III  
 D370,828 S 6/1996 Green  
 D371,048 S 6/1996 Green  
 D382,170 S 8/1997 Green  
 D387,621 S 12/1997 Sullivan et al.  
 D408,220 S 4/1999 Chomik  
 D447,004 S 8/2001 Green  
 D448,971 S 10/2001 Hughes  
 D457,384 S 5/2002 Randolph  
 D480,641 S 10/2003 Hurlbut et al.  
 D518,335 S 4/2006 Naft et al.  
 D528,862 S 9/2006 Li  
 D533,061 S 12/2006 Li  
 D547,607 S 7/2007 Forsman  
 D548,525 S 8/2007 Gibbons et al.  
 D560,435 S 1/2008 Meehan  
 D573,404 S 7/2008 Wahl  
 D579,273 S 10/2008 Tong Chi Chung  
 D590,661 S 4/2009 Kitamura et al.  
 D592,055 S 5/2009 Goulet  
 D624,361 S 9/2010 Roth et al.  
 D634,158 S 3/2011 Roth et al.  
 D634,161 S 3/2011 Roth et al.  
 D640,093 S 6/2011 Picozza et al.  
 D643,249 S 8/2011 Miller et al.  
 D647,532 S 10/2011 Busch  
 D671,359 S 11/2012 Windmiller  
 D679,541 S 4/2013 Samartgis  
 D682,034 S \* 5/2013 El-Saden ..... D7/510  
 D683,188 S 5/2013 Gold et al.  
 D685,606 S 7/2013 Keys et al.  
 D686,448 S 7/2013 Boroski  
 D687,259 S 8/2013 Hauser et al.  
 D688,093 S 8/2013 Roth et al.  
 D691,849 S 10/2013 Cetera et al.  
 D692,276 S 10/2013 Cetera et al.  
 D692,756 S 11/2013 McClellan et al.  
 D696,906 S 1/2014 Roth  
 D700,012 S 2/2014 Hurley et al.  
 D700,014 S 2/2014 Zeanah  
 D700,807 S 3/2014 Kershaw et al.  
 D700,808 S 3/2014 Eyal  
 D701,727 S \* 4/2014 Gilbert ..... D7/300.1  
 D701,728 S 4/2014 Stanley et al.

D702,079 S \* 4/2014 Hung ..... D7/392.1  
 D704,986 S 5/2014 Manies  
 D717,103 S 11/2014 Wilbur  
 D717,115 S 11/2014 Lane et al.  
 D718,623 S 12/2014 Bhattacharyya et al.  
 D719,445 S 12/2014 Caneer  
 D719,780 S 12/2014 Sullivan  
 D720,184 S \* 12/2014 Gilbert ..... D7/300.1  
 D720,218 S 12/2014 Hutson et al.  
 D720,574 S 1/2015 Boroski  
 D721,250 S 1/2015 Chen et al.  
 D721,276 S \* 1/2015 Herbst ..... D7/396.2  
 D721,921 S 2/2015 Stokols  
 D723,328 S 3/2015 Steel  
 D723,333 S 3/2015 Lin  
 D724,384 S 3/2015 Donovan et al.  
 D725,434 S 3/2015 De Leo  
 D726,476 S 4/2015 Ercanbrack  
 D729,569 S \* 5/2015 Herbst ..... D7/392  
 D730,123 S 5/2015 He  
 D730,694 S 6/2015 Elsaden et al.  
 D732,337 S 6/2015 Coon et al.  
 D732,892 S 6/2015 Keys et al.  
 D734,092 S 7/2015 Kristinik  
 D734,151 S 7/2015 Herbst  
 D739,174 S \* 9/2015 Elsaden ..... D7/392.1  
 D739,183 S 9/2015 Lane  
 D739,749 S 9/2015 Bhattacharyya et al.  
 D742,174 S 11/2015 Roth et al.  
 D742,230 S 11/2015 Charles  
 D743,742 S 11/2015 Rummel et al.  
 D744,781 S 12/2015 Rummel et al.  
 D745,827 S 12/2015 Sorensen et al.  
 D747,146 S 1/2016 Struckmeier  
 D747,148 S 1/2016 Beardsell  
 D747,918 S 1/2016 Herbst et al.  
 D748,429 S 2/2016 Lv  
 D748,430 S 2/2016 Sorensen et al.  
 D748,943 S \* 2/2016 Miller ..... D7/392.1  
 D748,949 S 2/2016 Long, Sr. et al.  
 D749,363 S 2/2016 Tacker et al.  
 9,380,898 B2 \* 7/2016 Mason ..... A47G 19/2272  
 D763,688 S \* 8/2016 Breit ..... D9/443  
 D767,336 S \* 9/2016 Waggoner ..... D7/507  
 D768,491 S \* 10/2016 Sorensen ..... D7/392.1  
 2006/0226110 A1 \* 10/2006 Choi ..... A47G 19/2266  
 215/228  
 2015/0201775 A1 \* 7/2015 Sorensen ..... A47G 19/2266  
 222/482

\* cited by examiner

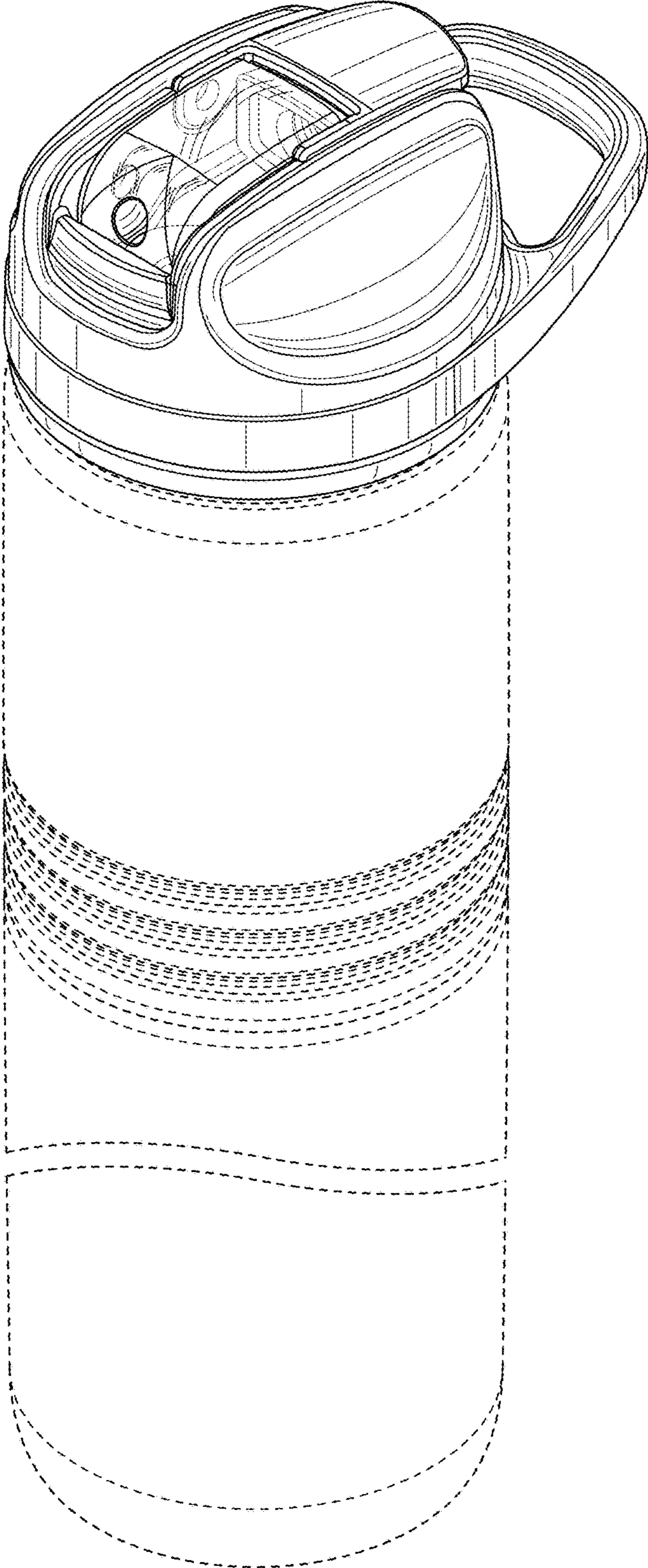


FIG. 1

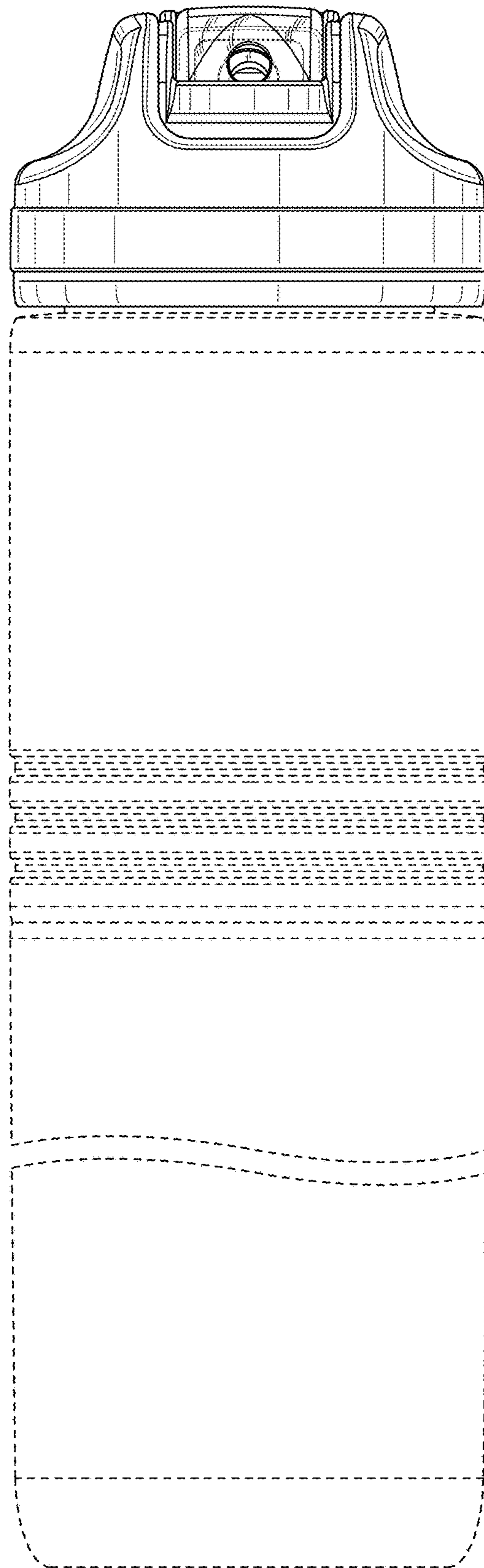


FIG. 2

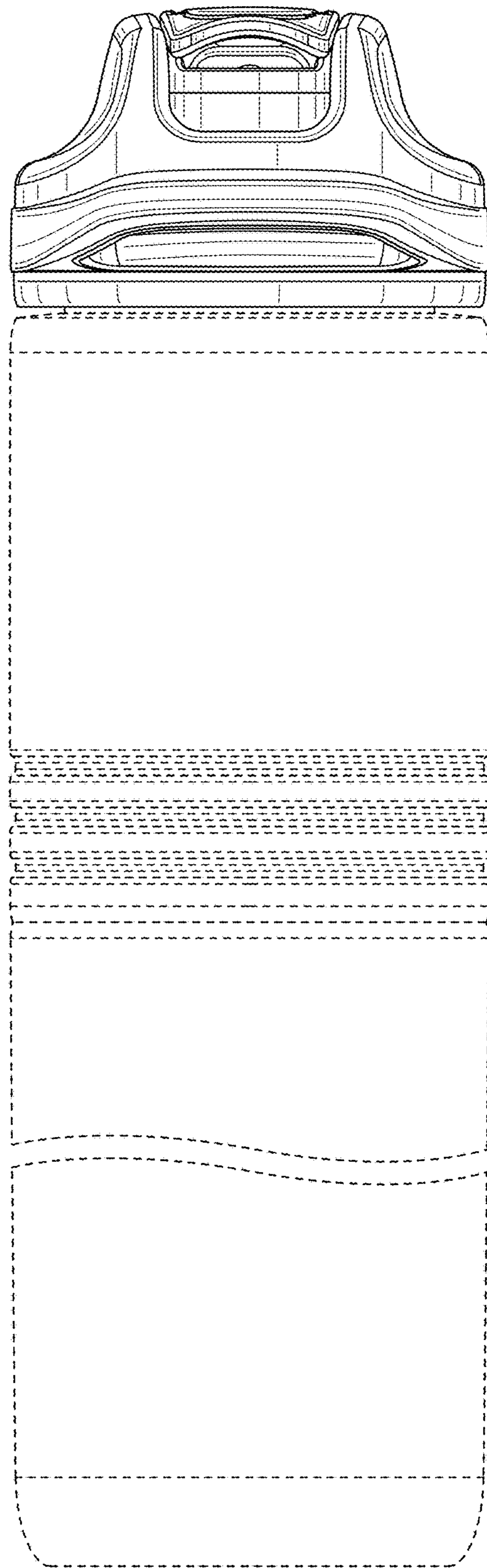


FIG. 3

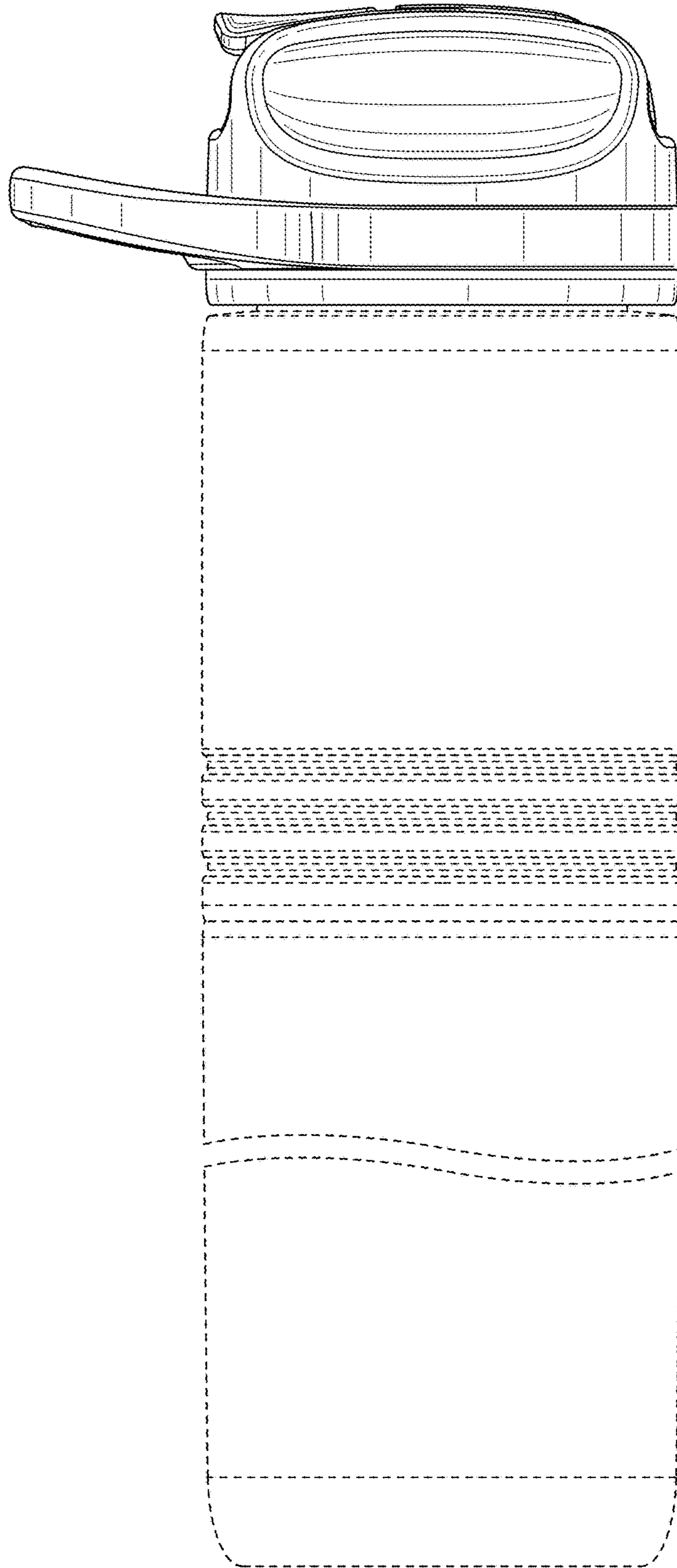


FIG. 4



FIG. 5

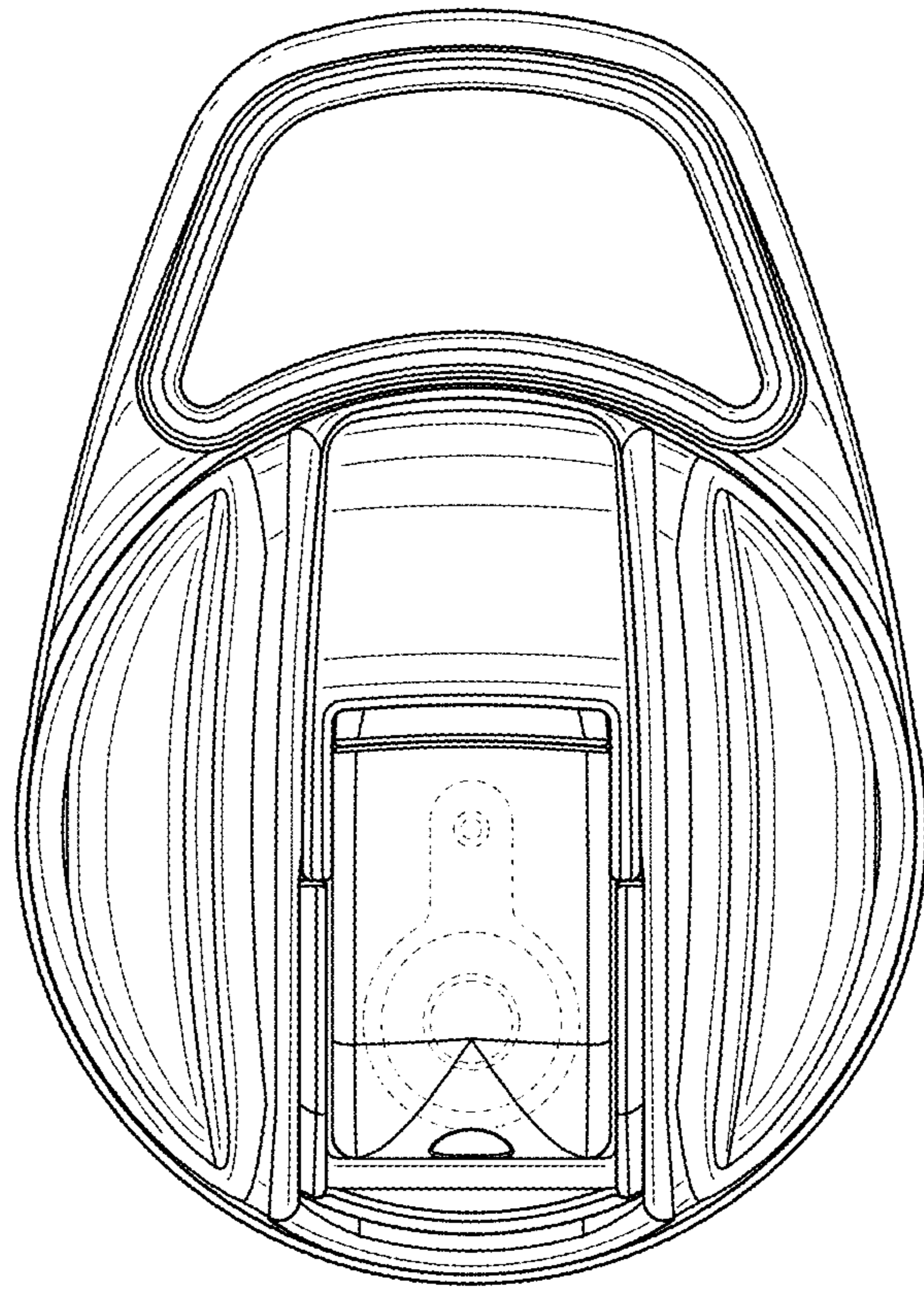


FIG. 6



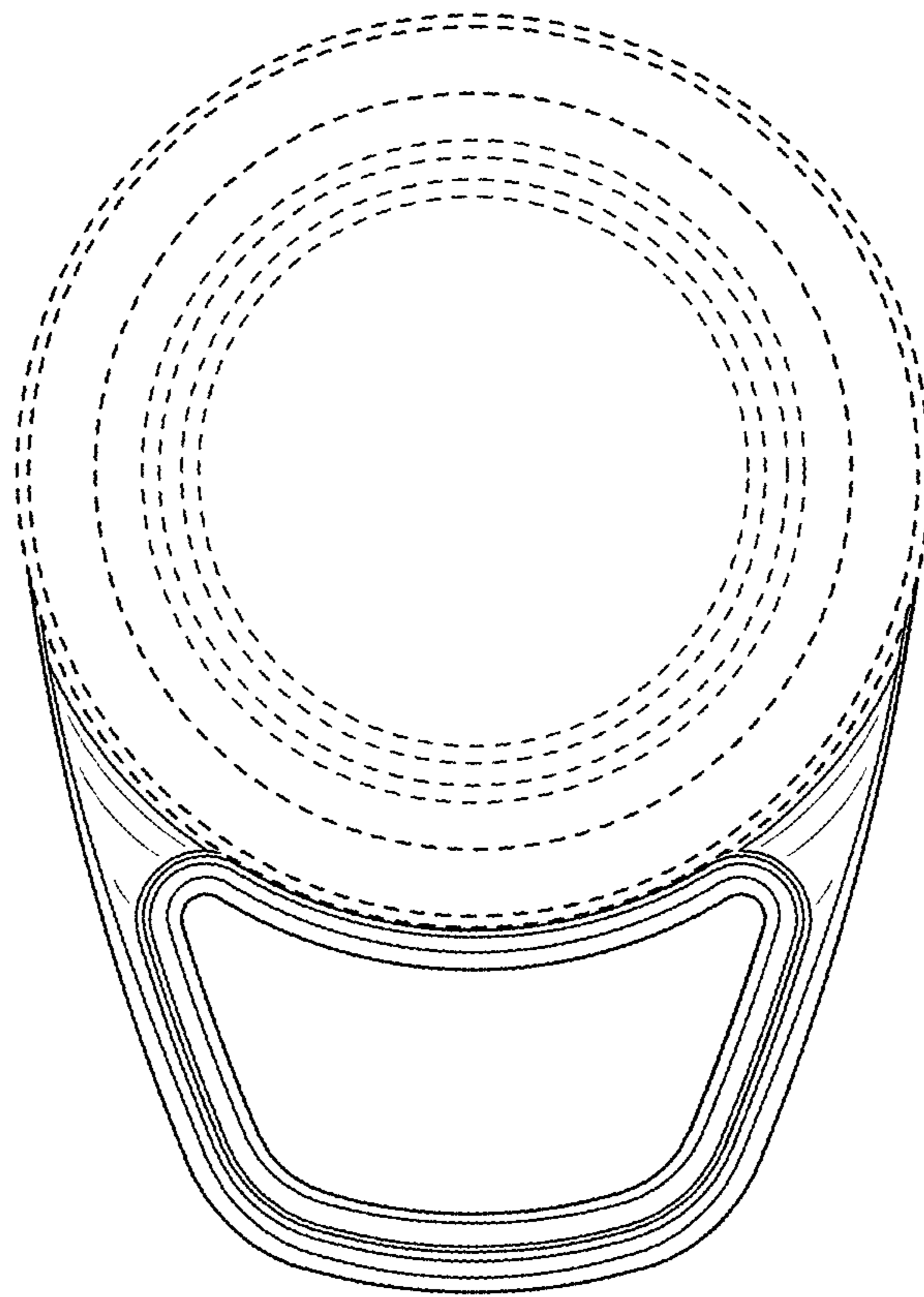


FIG. 7

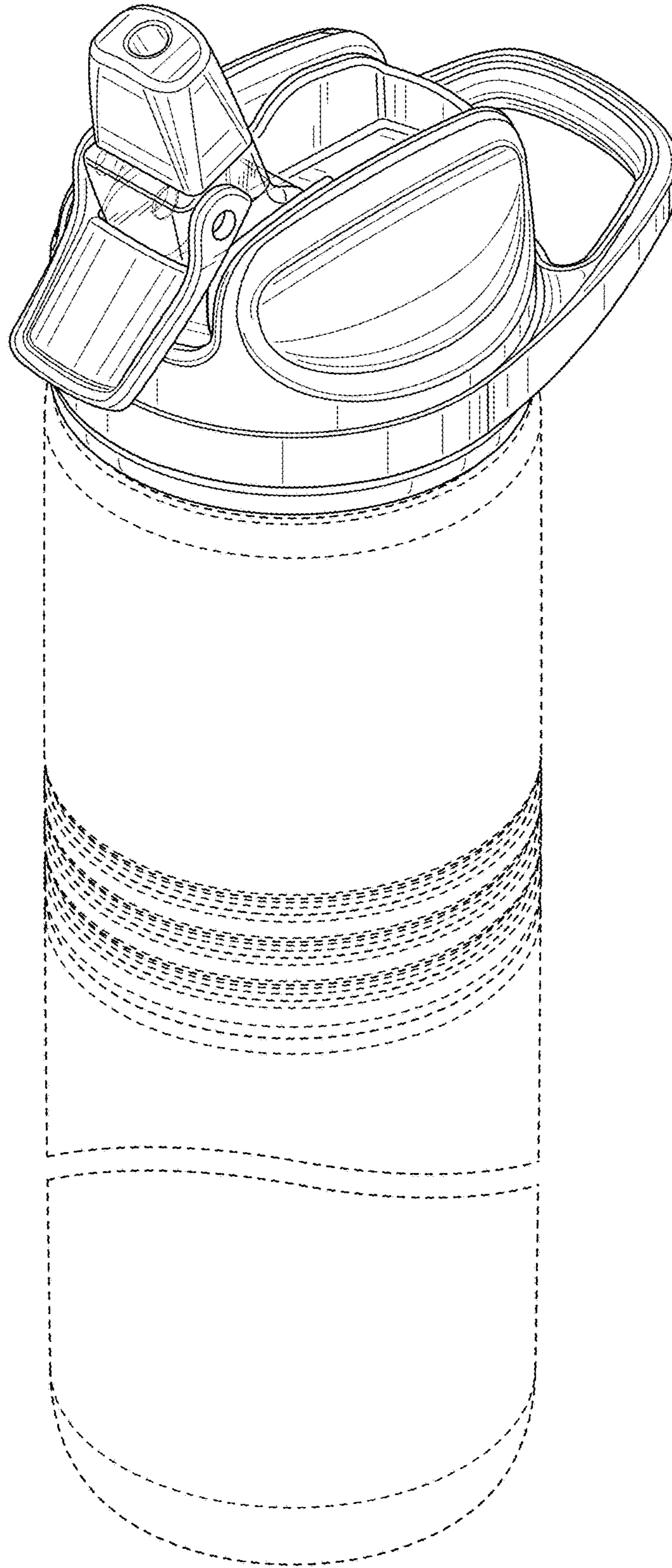


FIG. 8

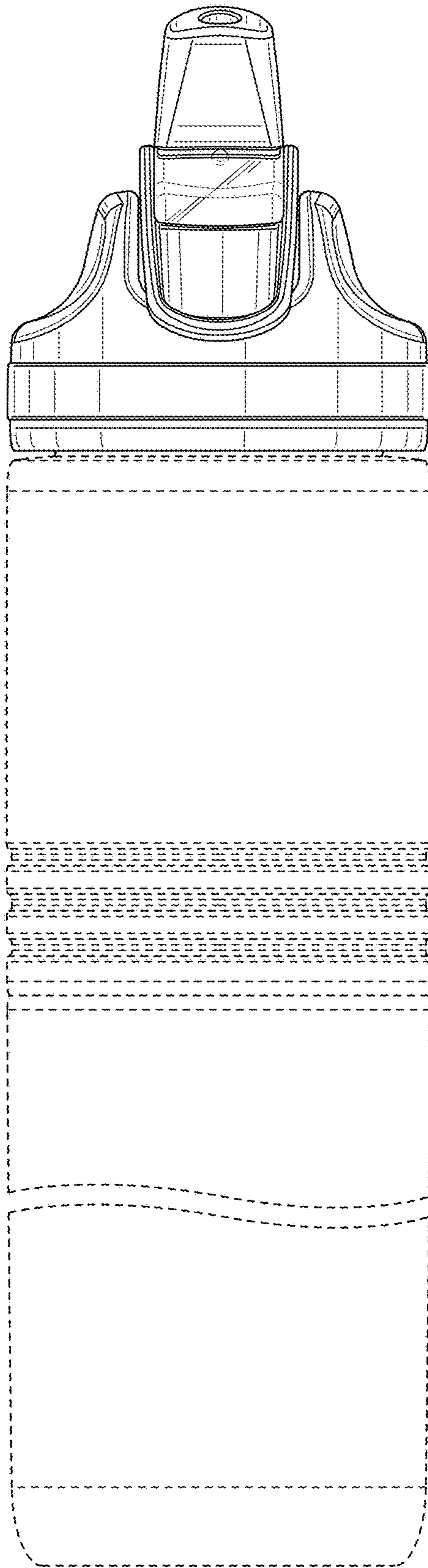


FIG. 9

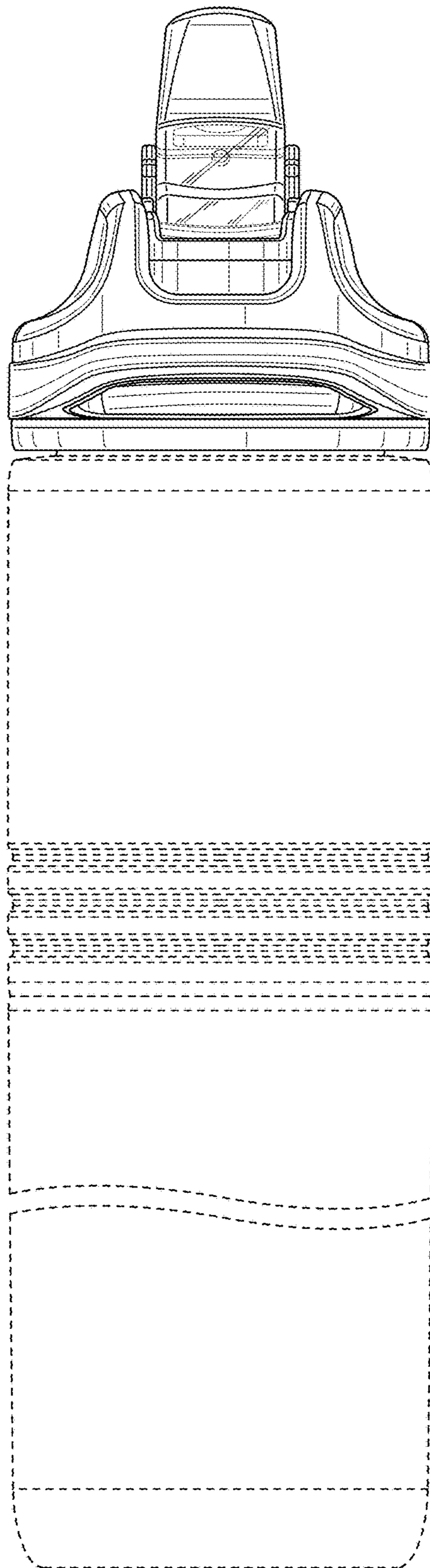


FIG. 10

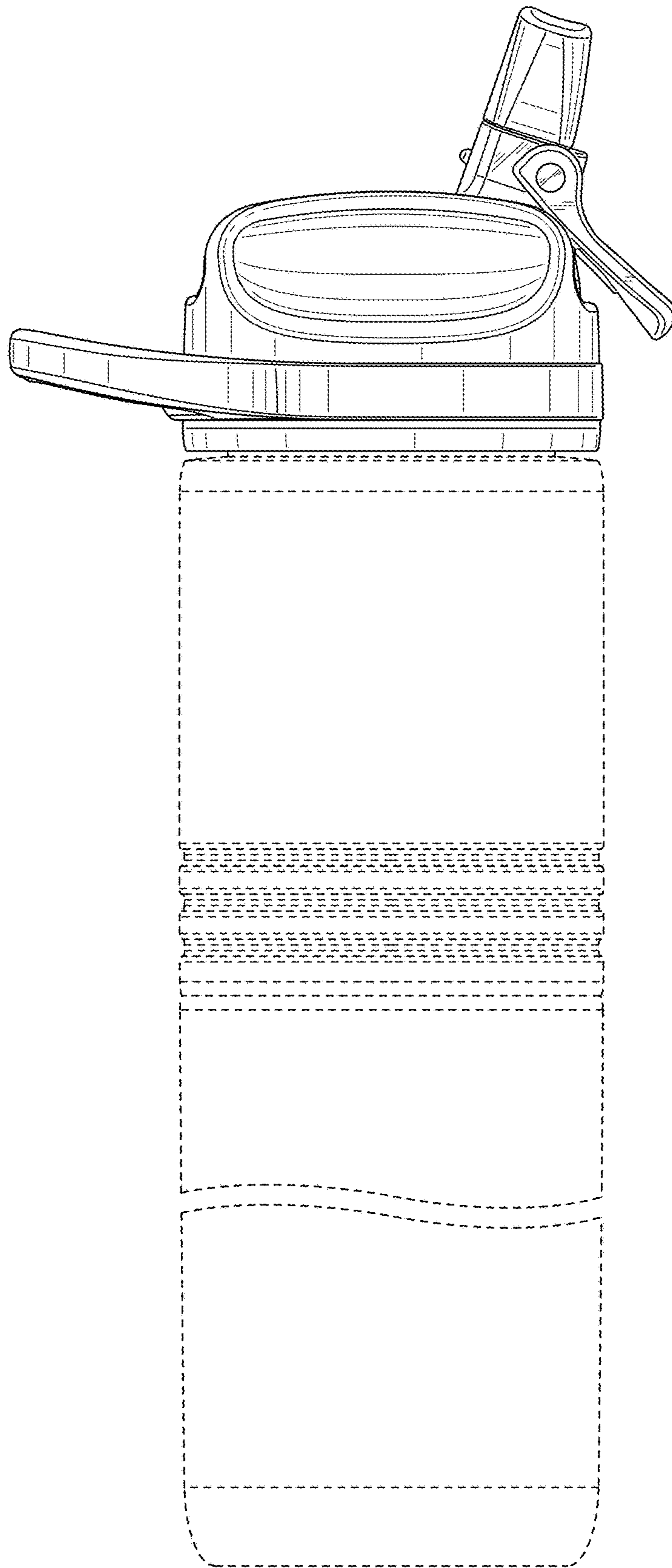


FIG. 11

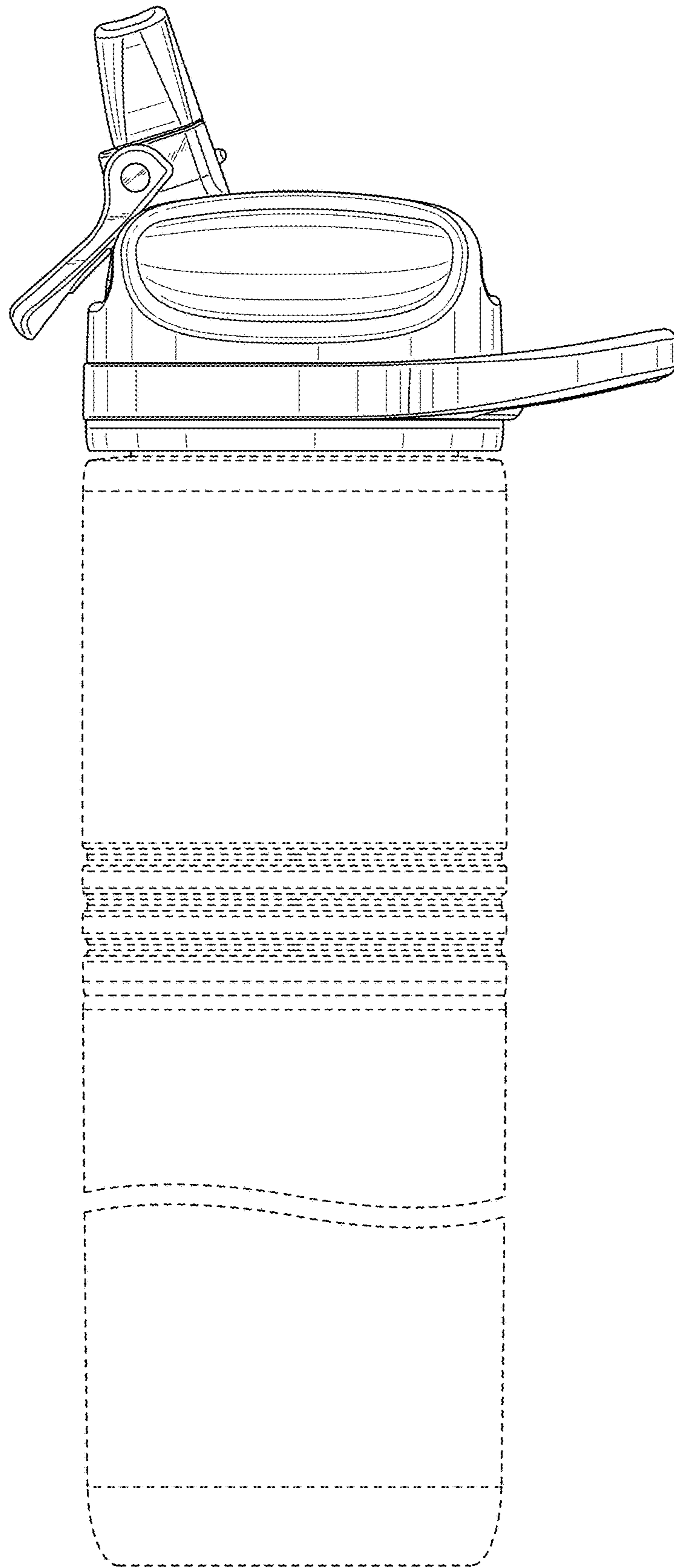


FIG. 12

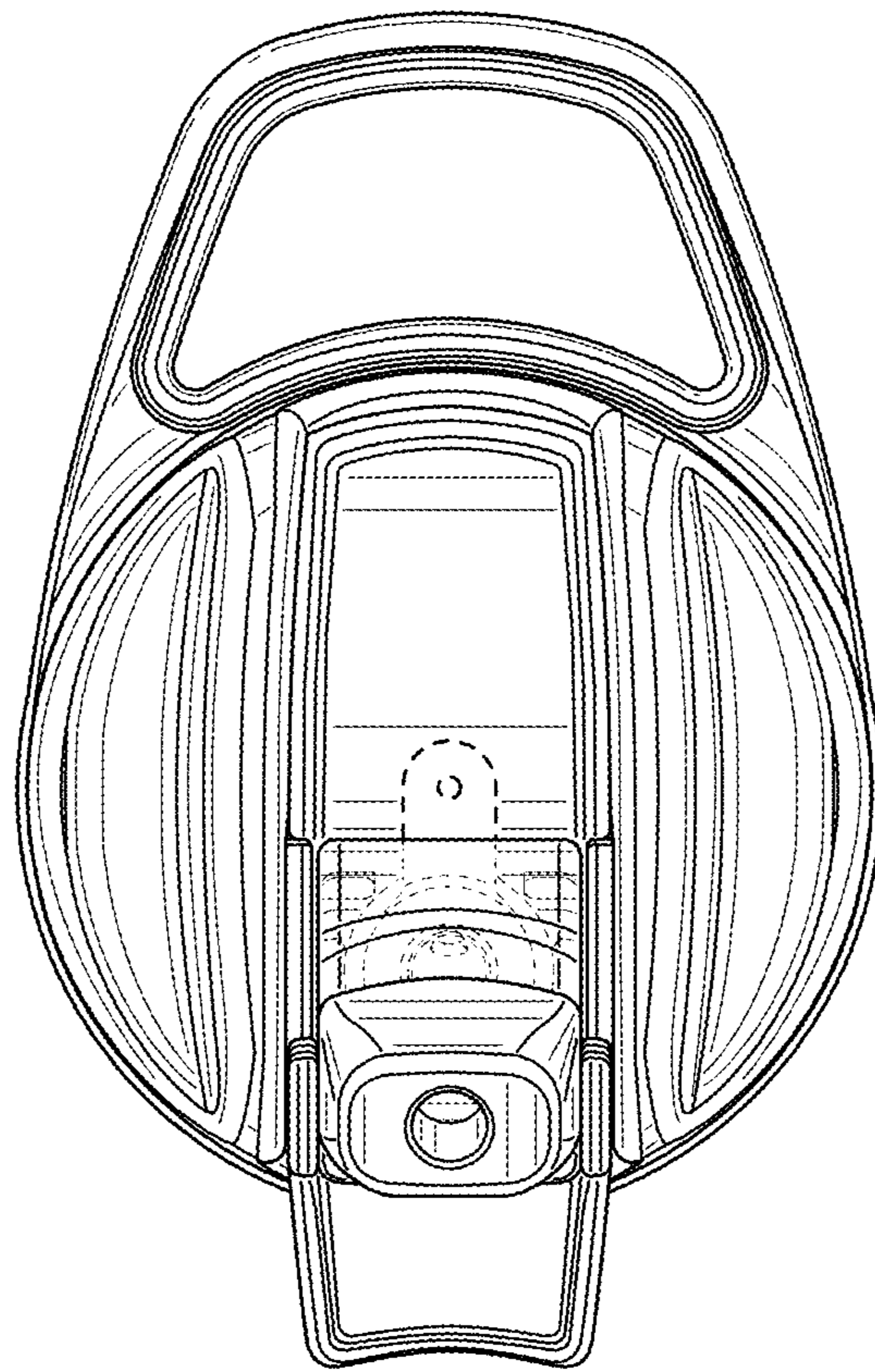


FIG. 13

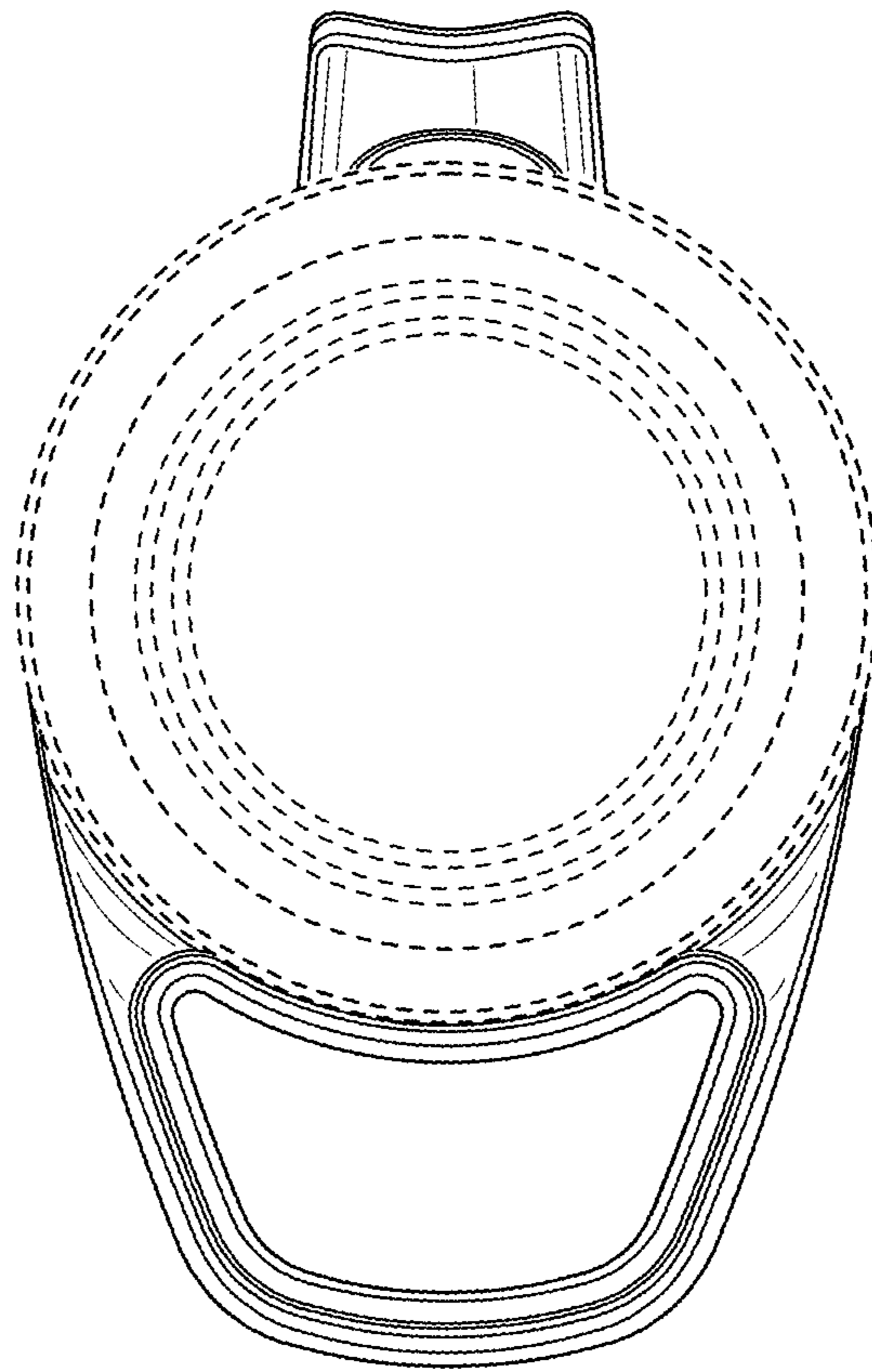


FIG. 14



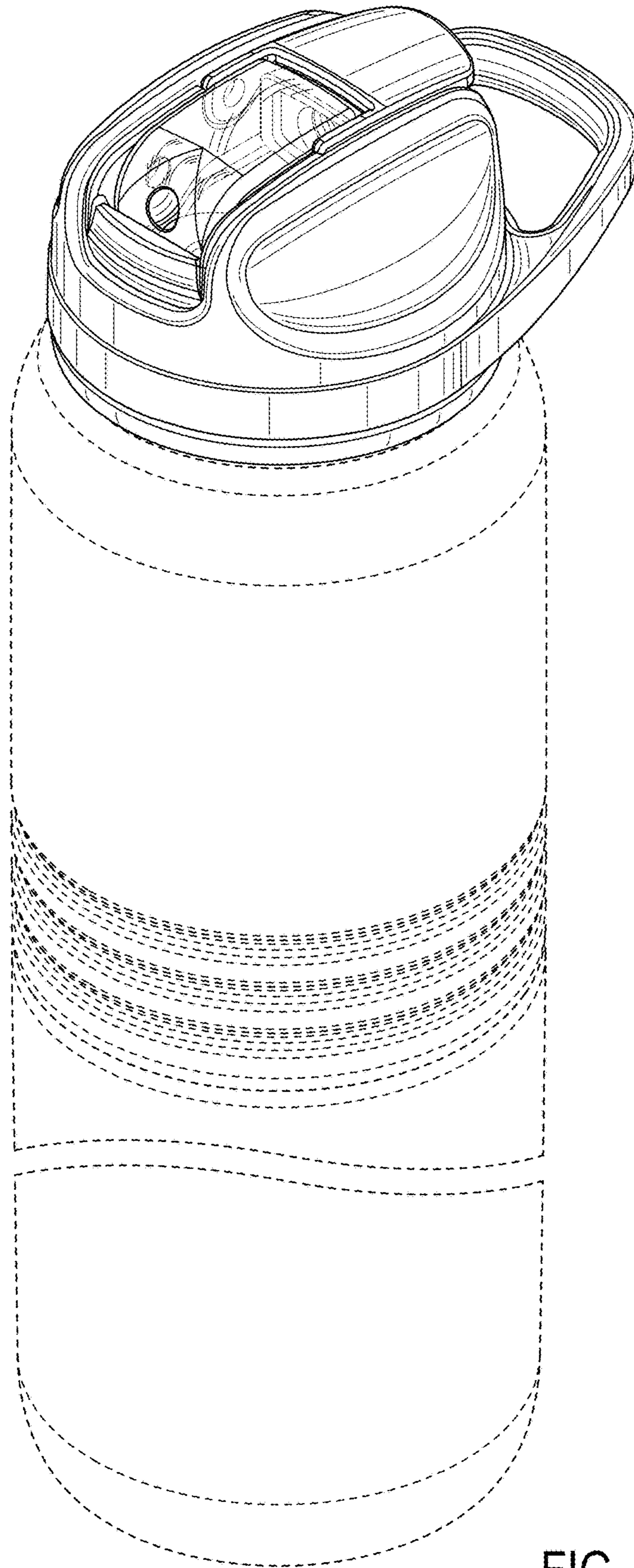


FIG. 15

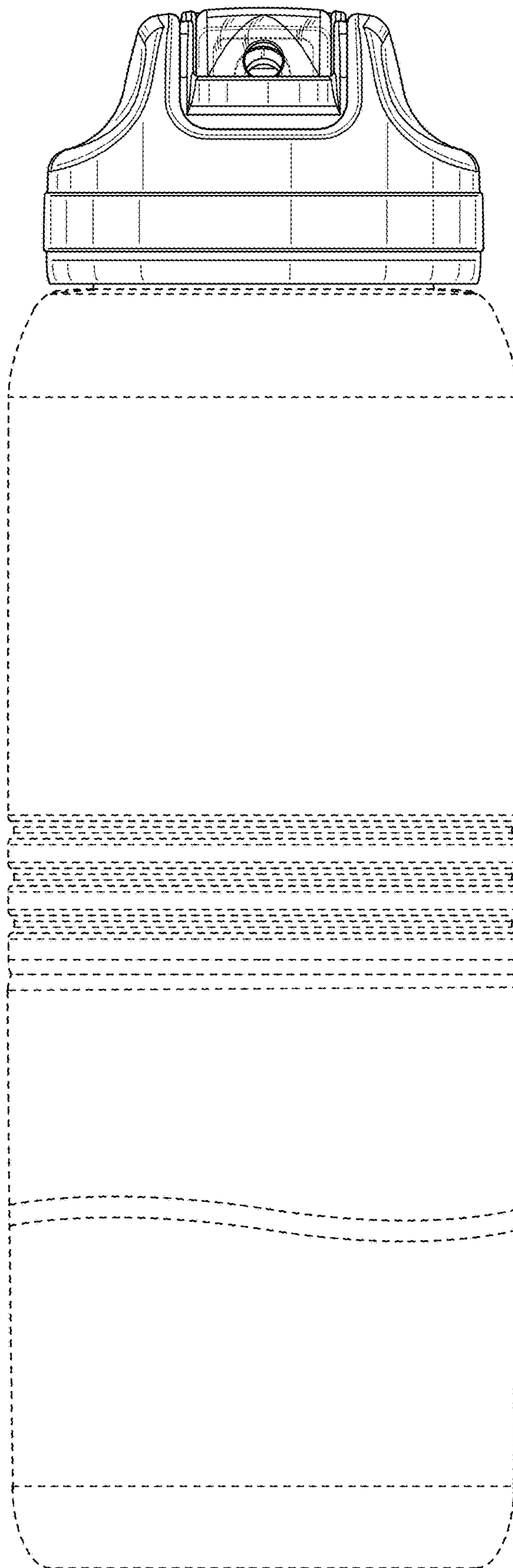


FIG. 16

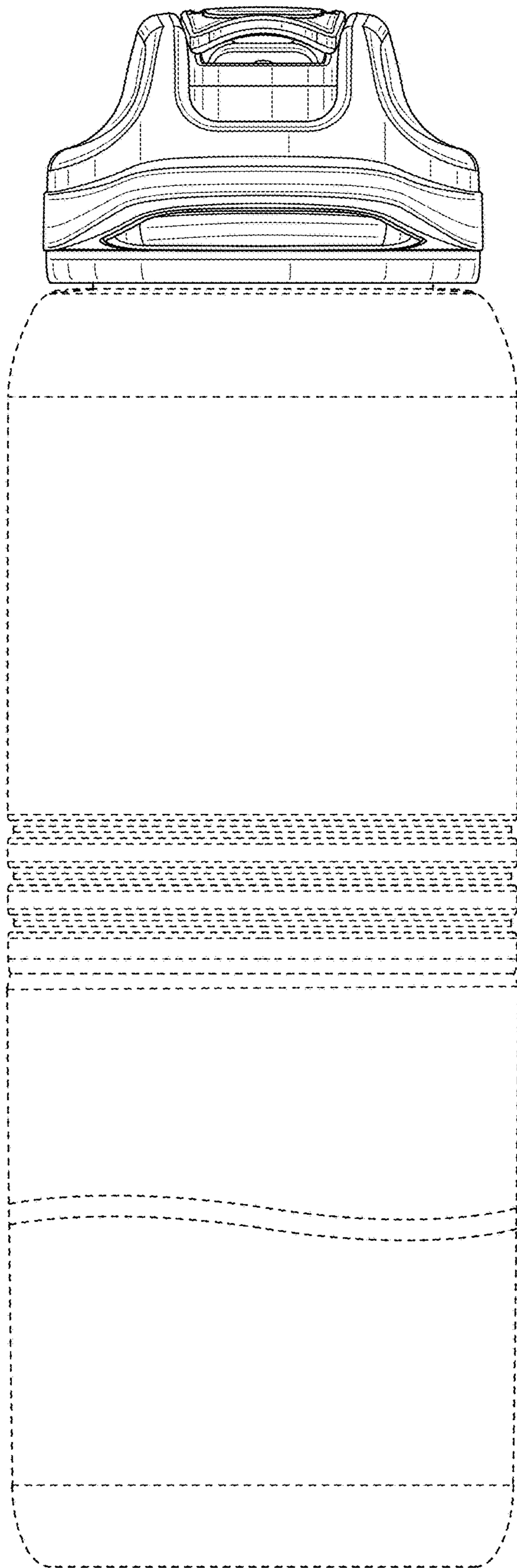


FIG. 17

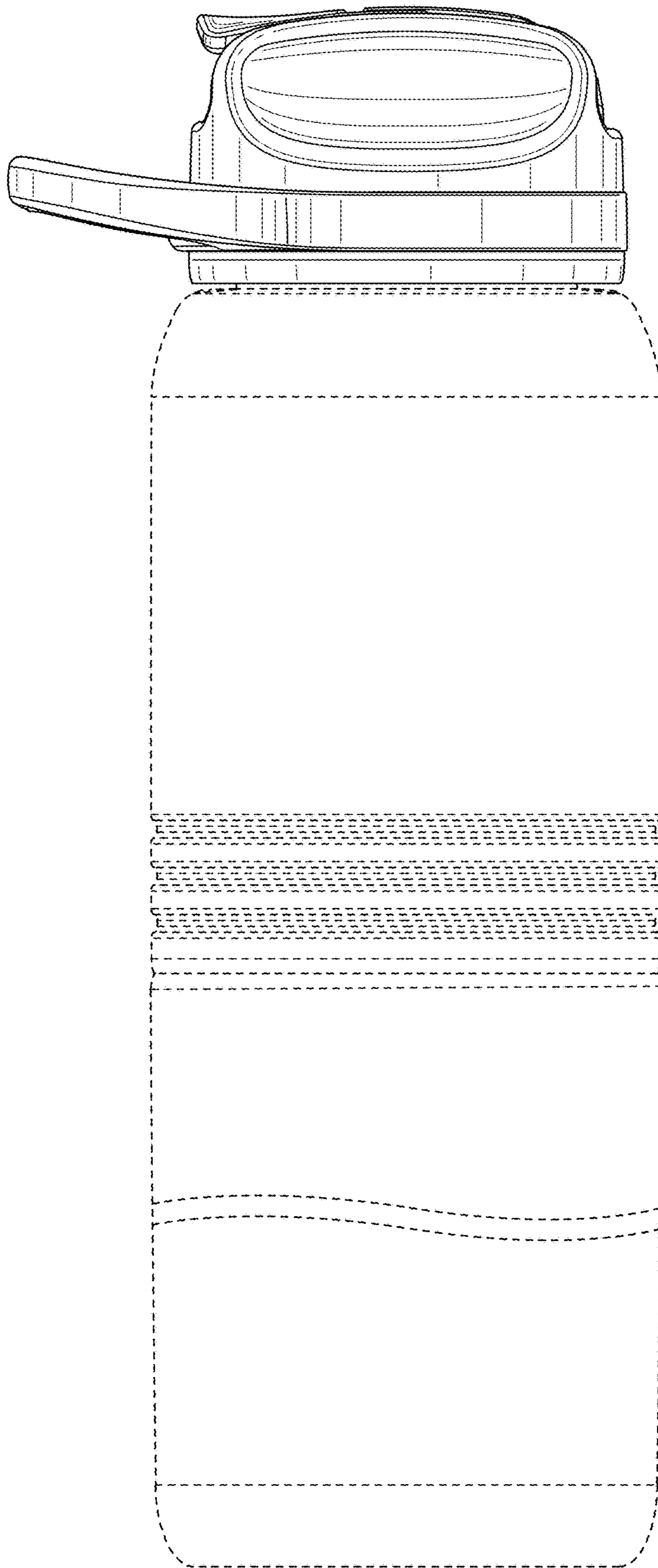


FIG. 18

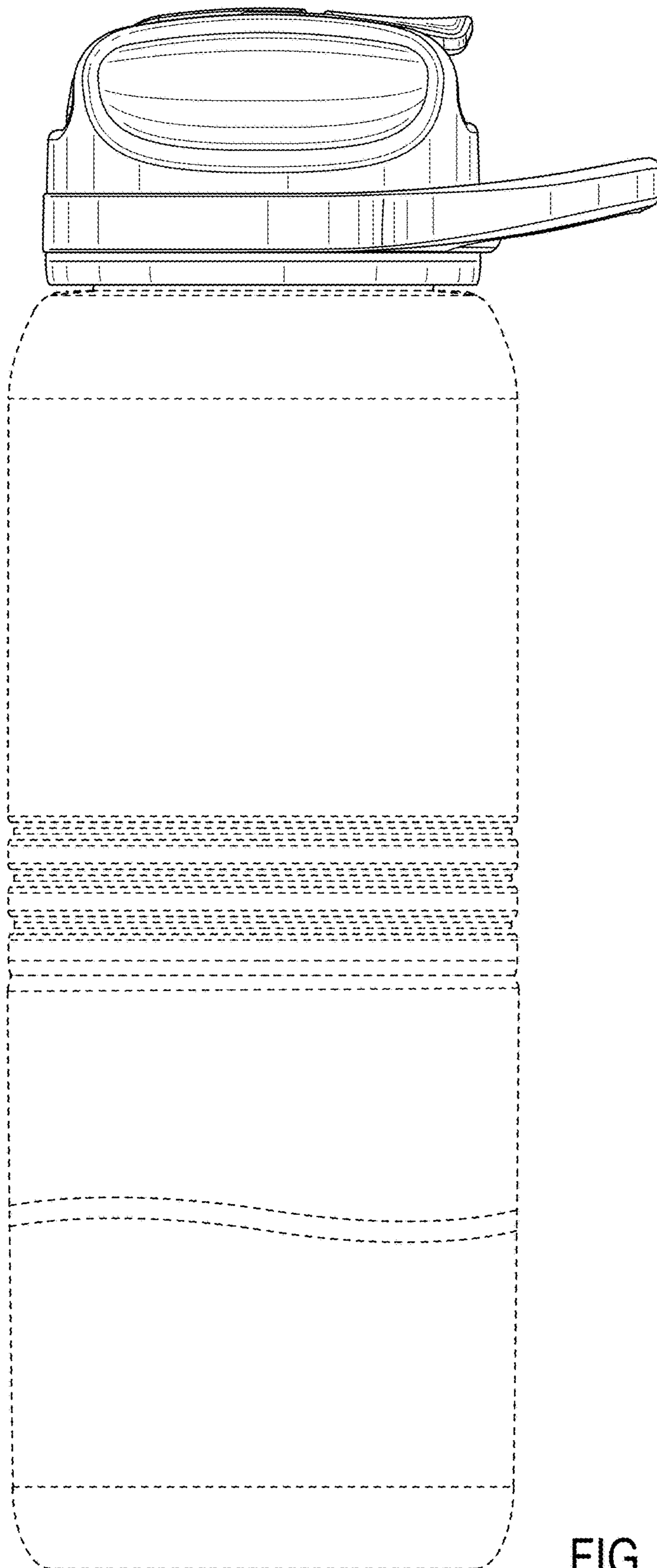


FIG. 19

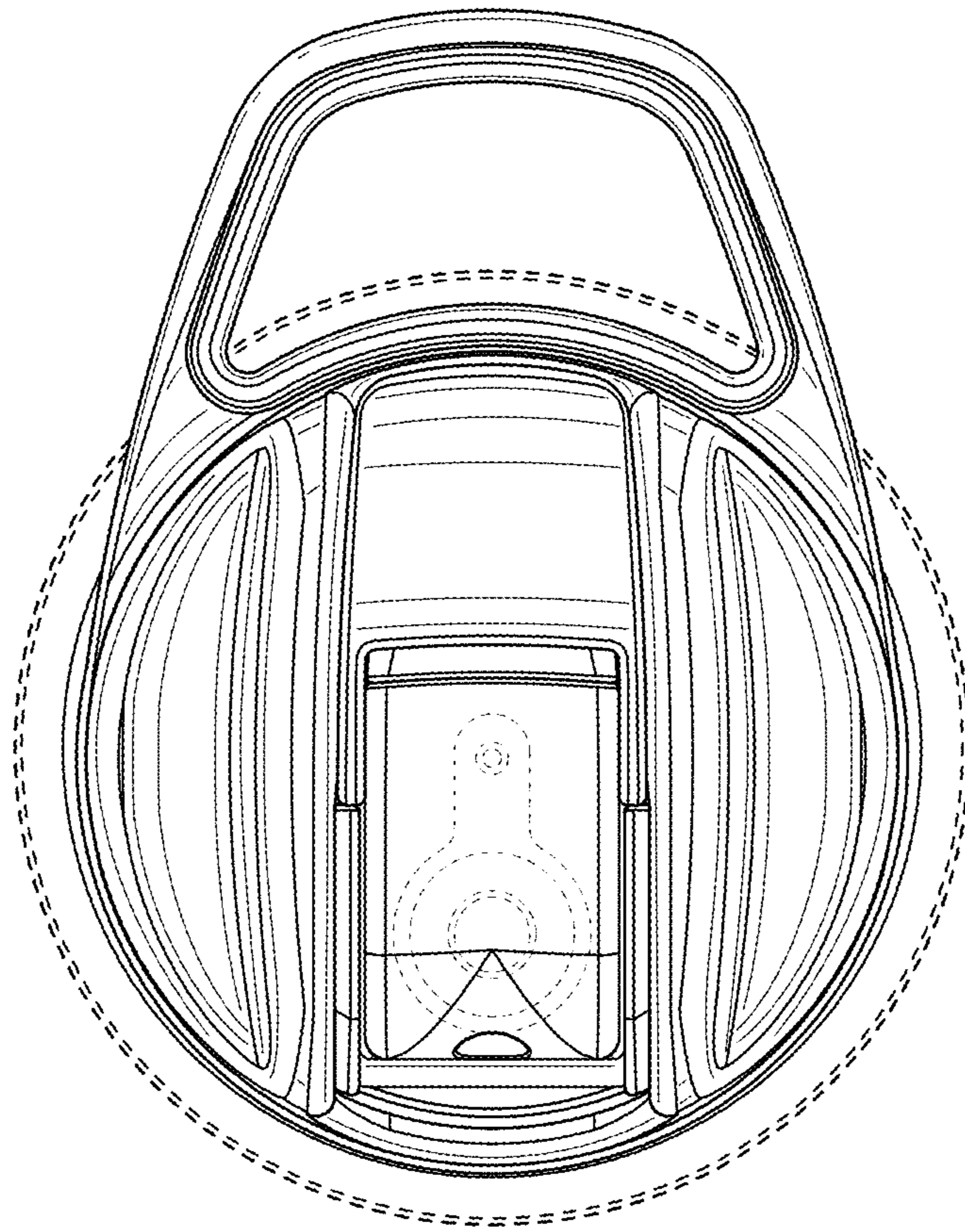


FIG. 20

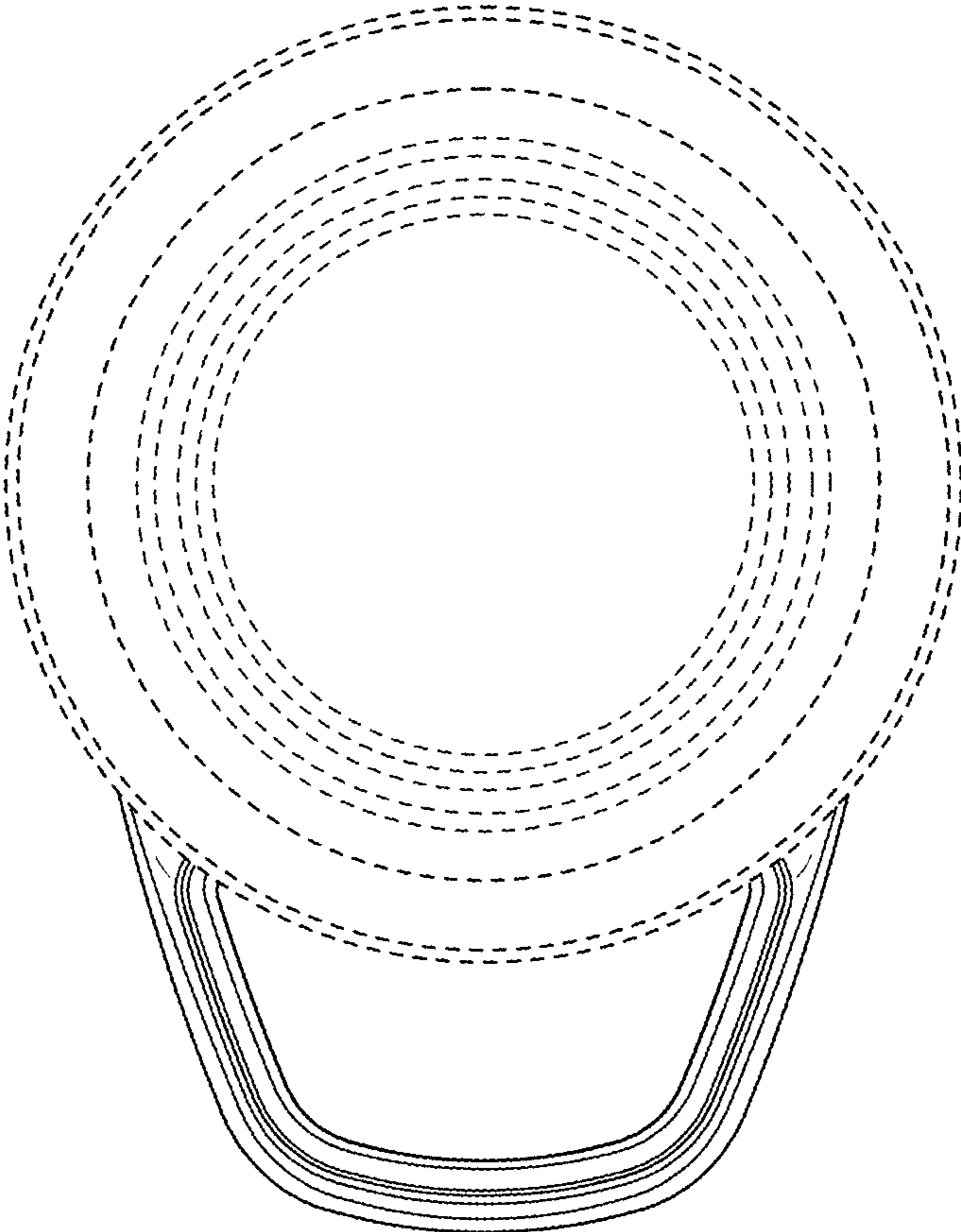


FIG. 21

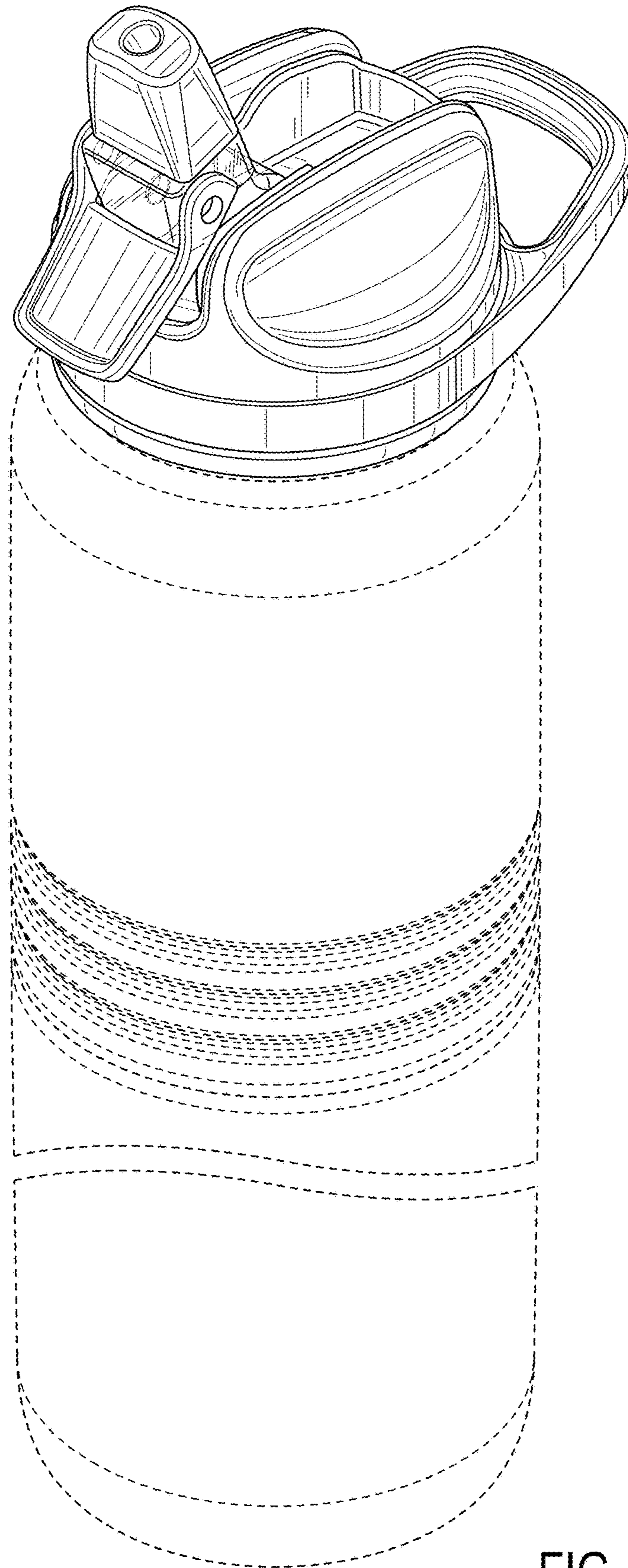


FIG. 22



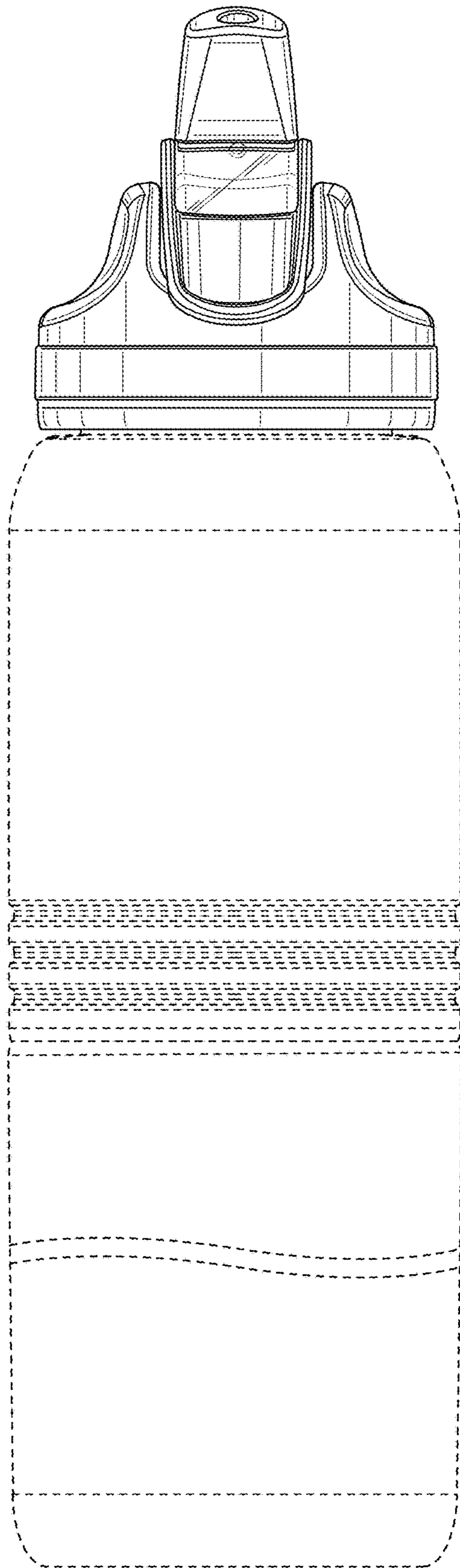


FIG. 23

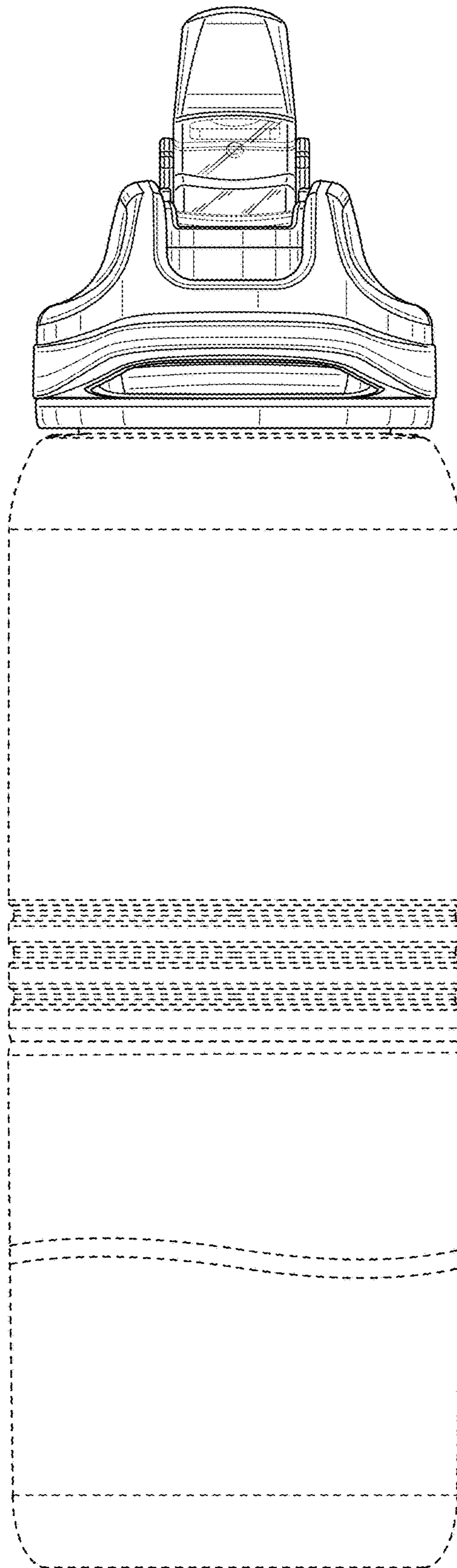


FIG. 24

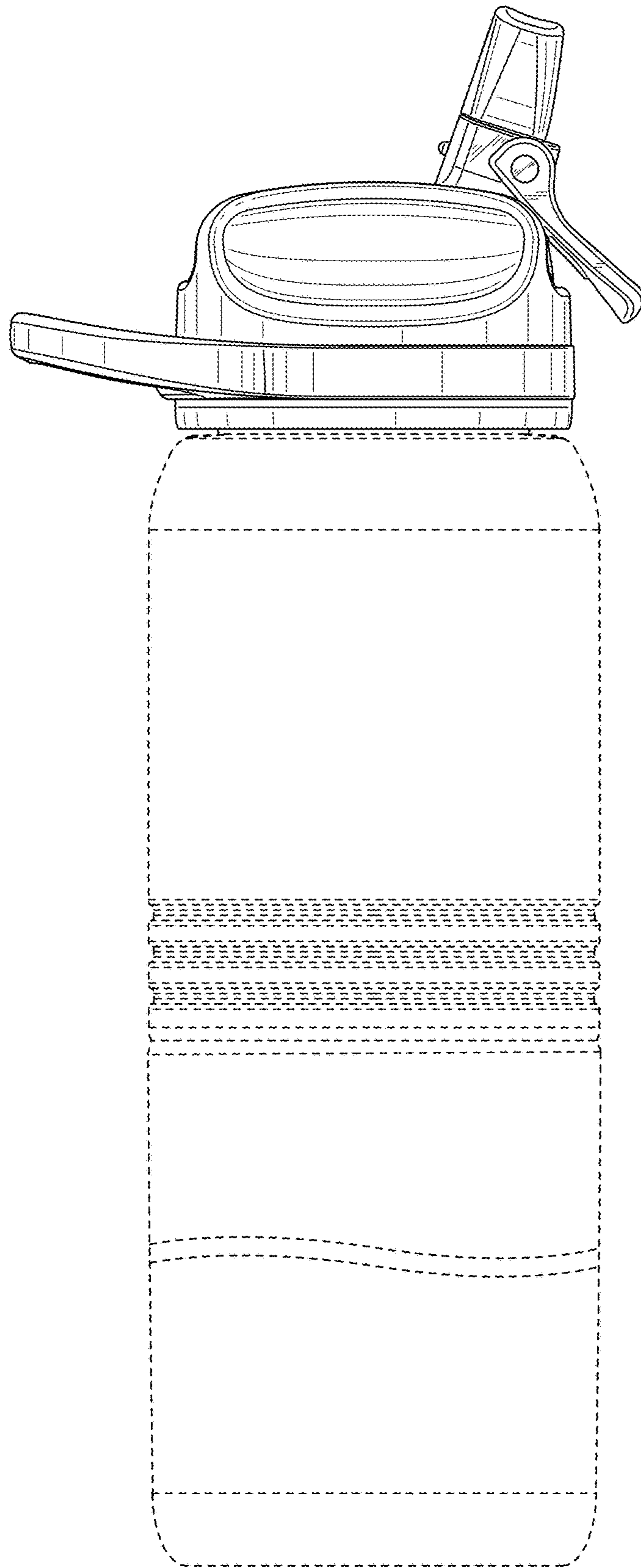


FIG. 25

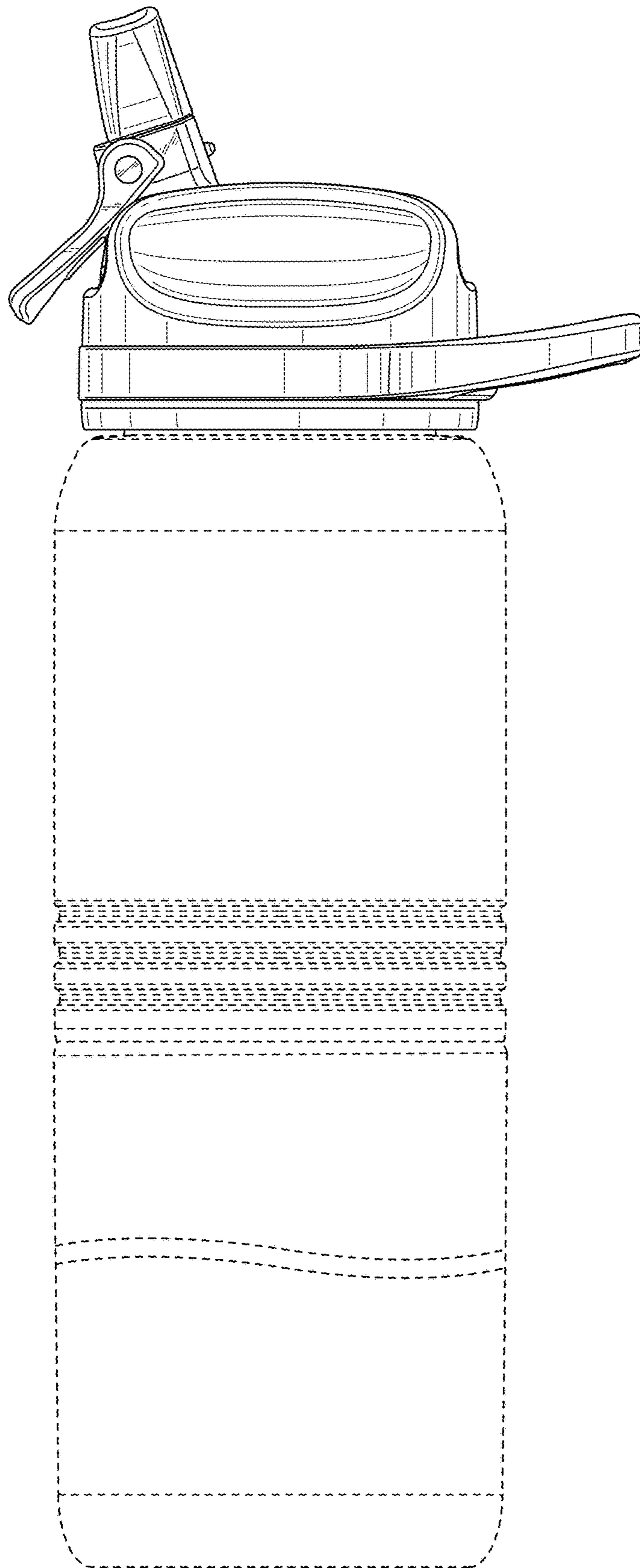


FIG. 26

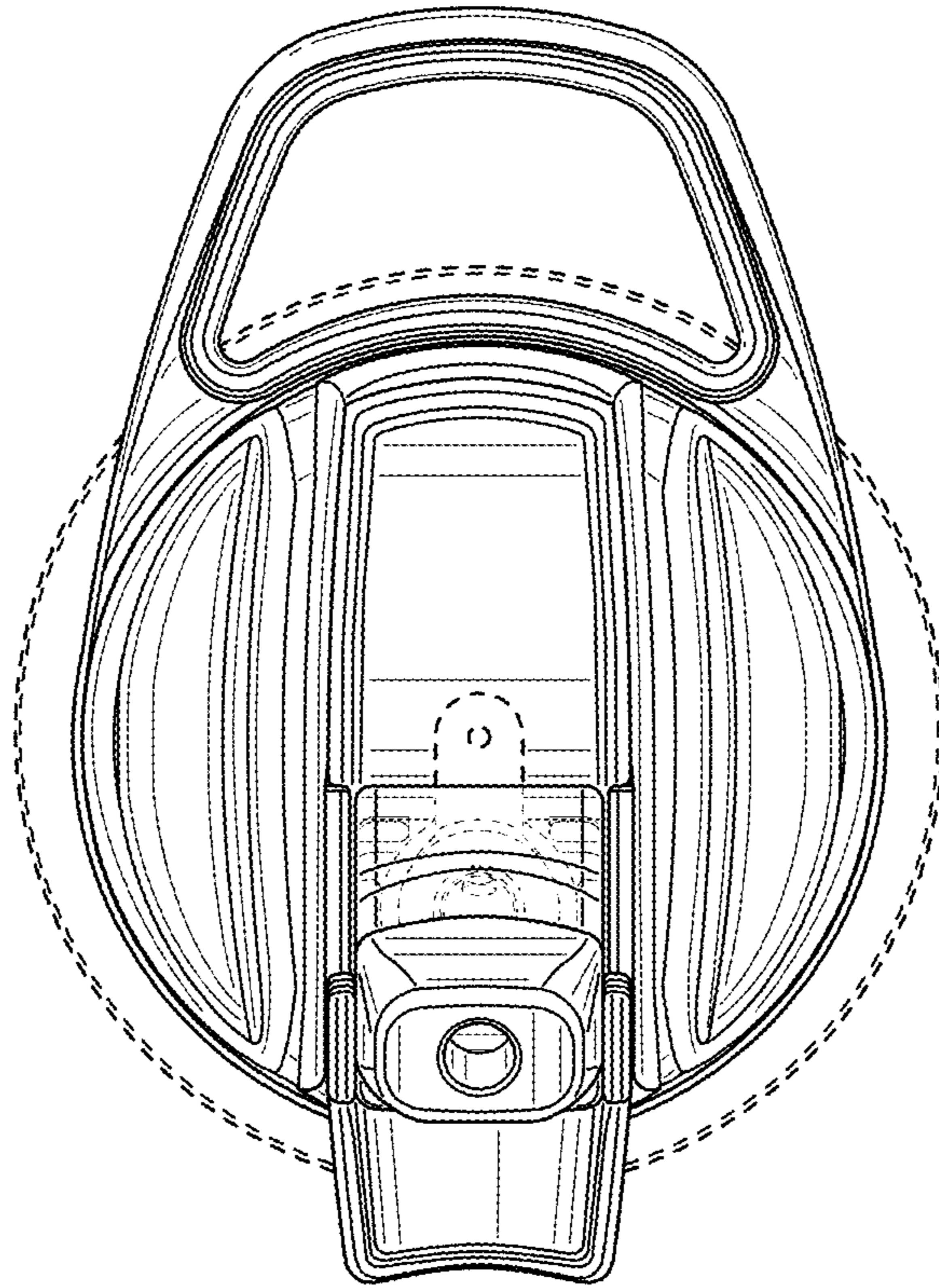


FIG. 27

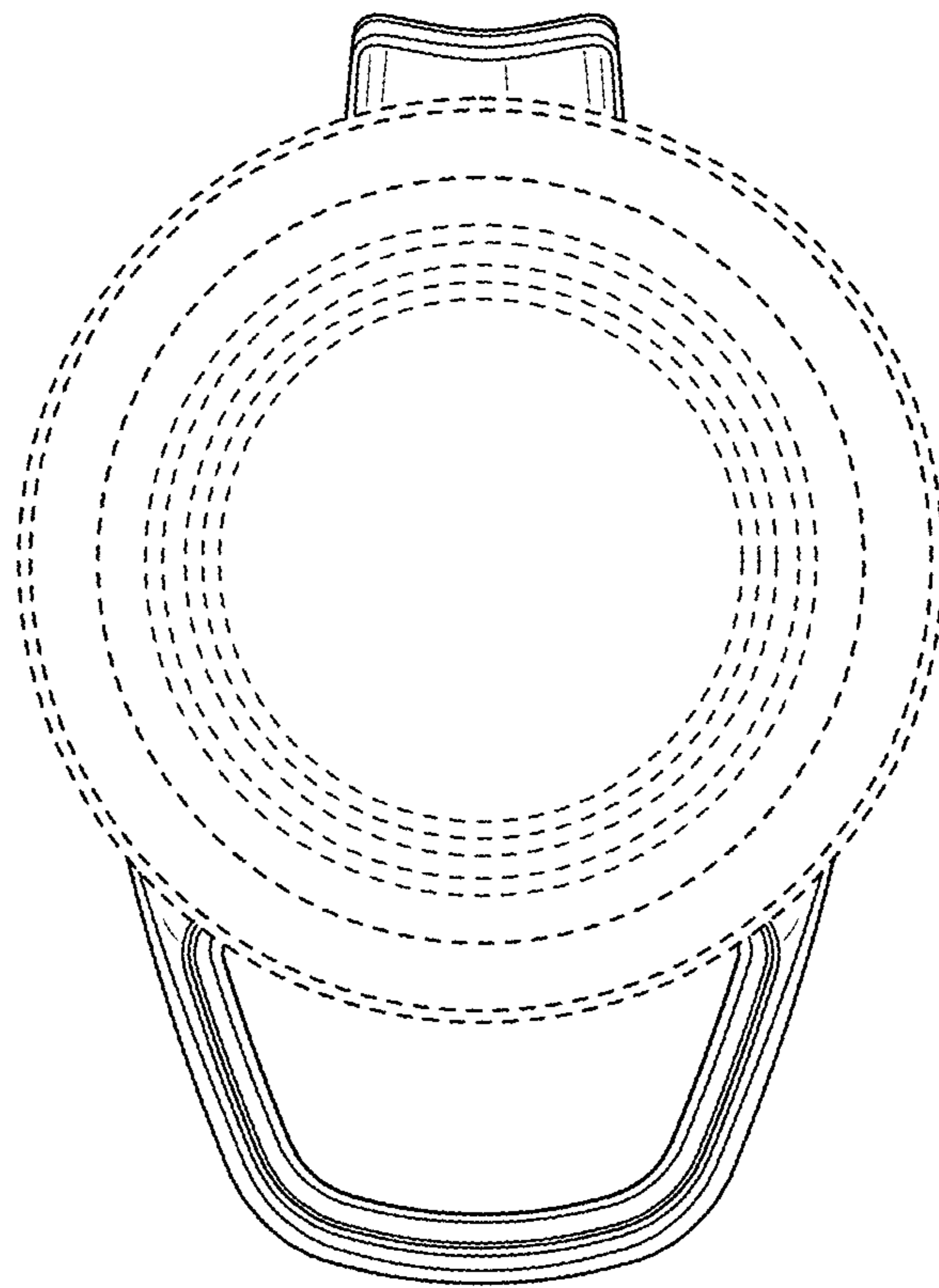


FIG. 28