



US00D804901S

(12) **United States Design Patent**
Mason

(10) **Patent No.:** **US D804,901 S**

(45) **Date of Patent:** **** Dec. 12, 2017**

- (54) **BOTTLE WITH OUTER CAGE**
- (71) Applicant: **Cool Gear International, LLC**,
Plymouth, MA (US)
- (72) Inventor: **John D. Mason**, Bridgewater, MA (US)
- (73) Assignee: **Cool Gear International, LLC**,
Plymouth, MA (US)

8,668,106 B1 *	3/2014	Joy	A47G 19/2266
			220/254.3
D719,788 S *	12/2014	Soltz	D7/624.2
D752,765 S *	3/2016	Taylor	D24/197
D761,623 S *	7/2016	Leimone	D7/507
D762,418 S *	8/2016	Sorensen	D7/511
D765,472 S *	9/2016	Metaxatos	D7/396.4
D771,963 S *	11/2016	Patel	D6/352
D772,656 S *	11/2016	Joy	D7/624.1
D781,113 S *	3/2017	Kocsis	D7/624.2

(**) Term: **15 Years**

(21) Appl. No.: **29/581,155**

(22) Filed: **Oct. 17, 2016**

Related U.S. Application Data

(62) Division of application No. 29/490,786, filed on May 13, 2014, now Pat. No. Des. 769,066.

(51) **LOC (10) Cl.** **07-01**

(52) **U.S. Cl.**
USPC **D7/509; D7/624.2; D9/558**

(58) **Field of Classification Search**
USPC D7/523, 509-511, 514, 515, 507, 391;
D9/434, 435, 443, 447, 449, 516, 547,
D9/549, 554, 614, 715, 719
CPC B65D 1/04; B65D 83/68; B65D 81/3288;
B65D 35/22; B65D 21/0205
See application file for complete search history.

(56) **References Cited**

U.S. PATENT DOCUMENTS

D565,412 S *	4/2008	Fuller	D9/454
D675,368 S *	1/2013	Leonard	D26/118

* cited by examiner

Primary Examiner — Ian Simmons

Assistant Examiner — Keith Frank

(74) *Attorney, Agent, or Firm* — Mintz Levin Cohn Ferris Glovsky and Popeo, P.C.; Steven M. Jensen

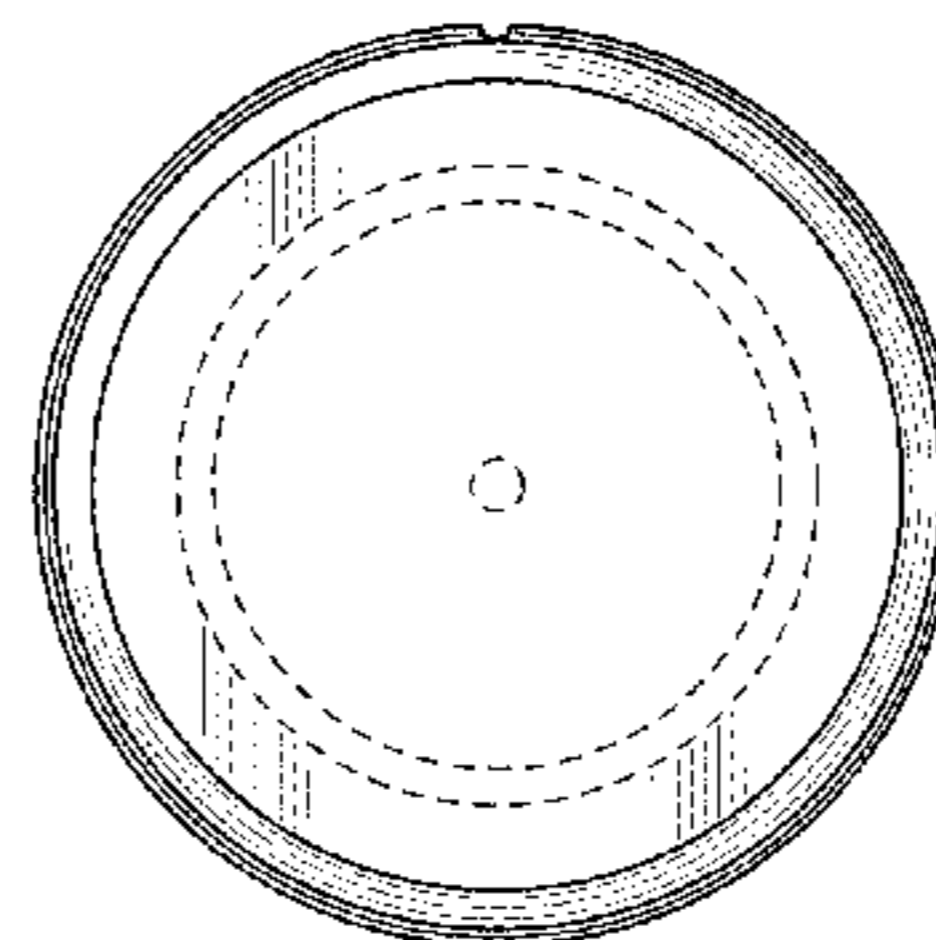
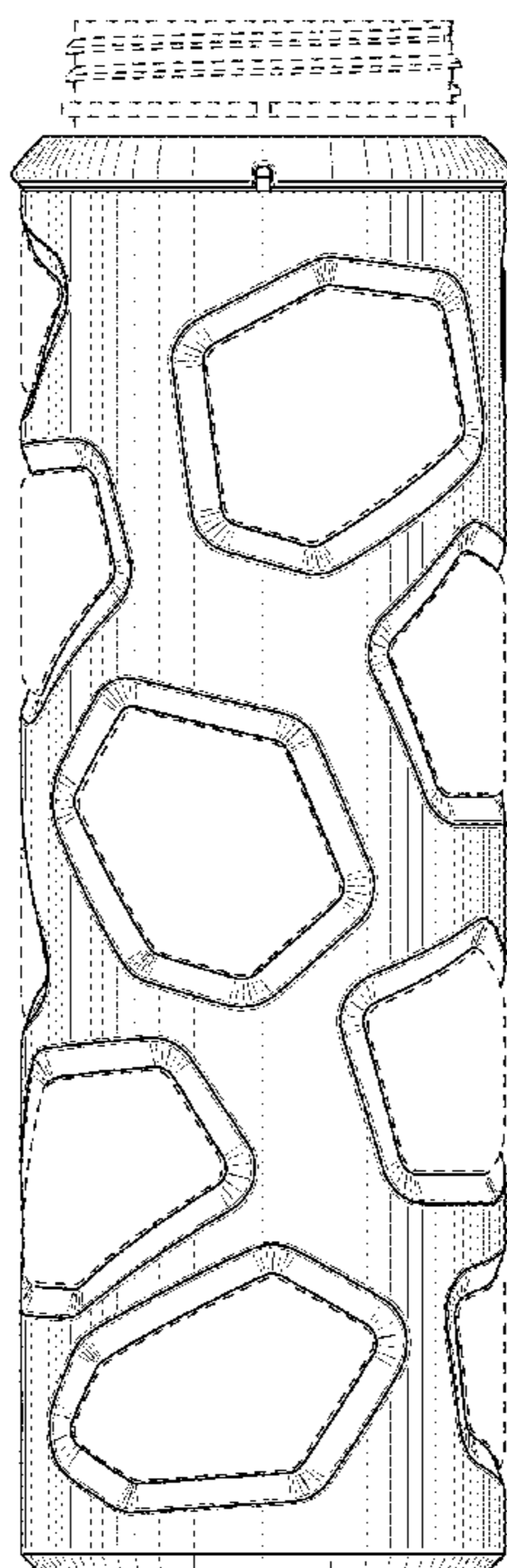
(57) **CLAIM**

The ornamental design for a bottle with outer cage, as shown and described.

DESCRIPTION

FIG. 1 is a perspective view of the top, front, and right side of a bottle with outer cage;
FIG. 2 is a front view thereof;
FIG. 3 is a back view thereof;
FIG. 4 is a top view thereof;
FIG. 5 is a bottom view thereof;
FIG. 6 is a left side view thereof; and,
FIG. 7 is a right side view thereof.
The evenly-dashed broken lines in the drawings illustrate the portions of the bottle with outer cage that form no part of the claim.

1 Claim, 3 Drawing Sheets



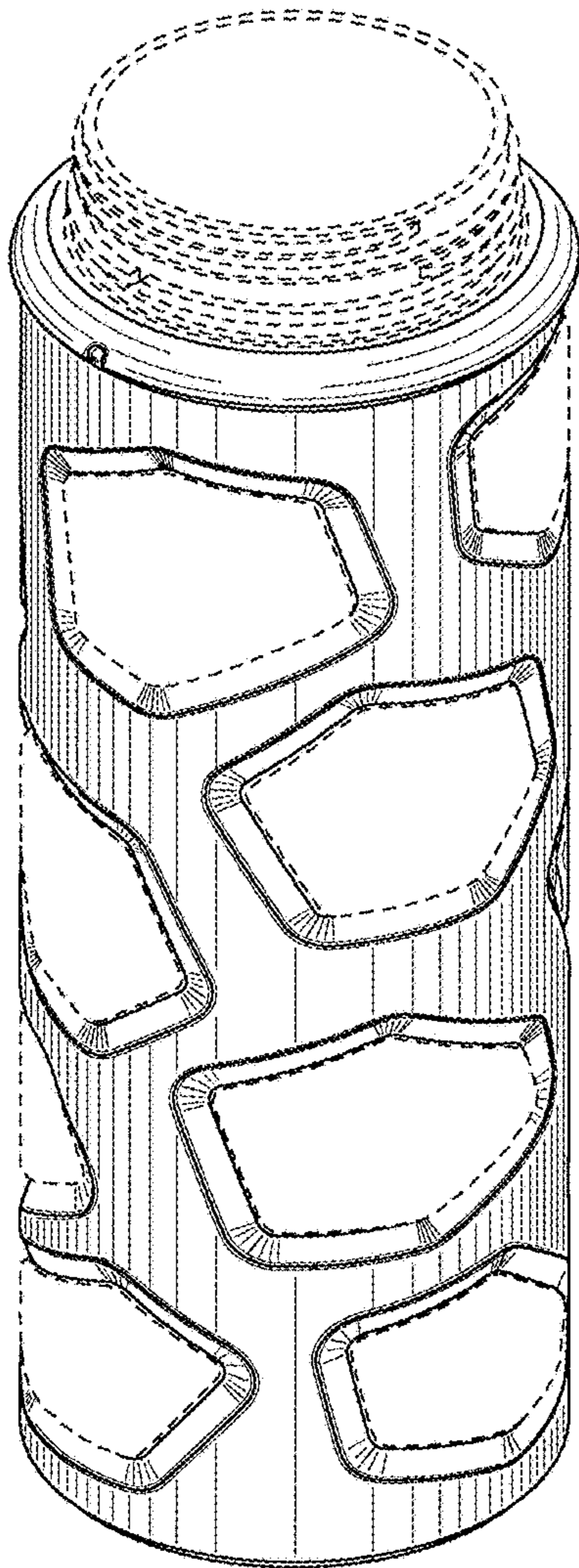


FIG. 1

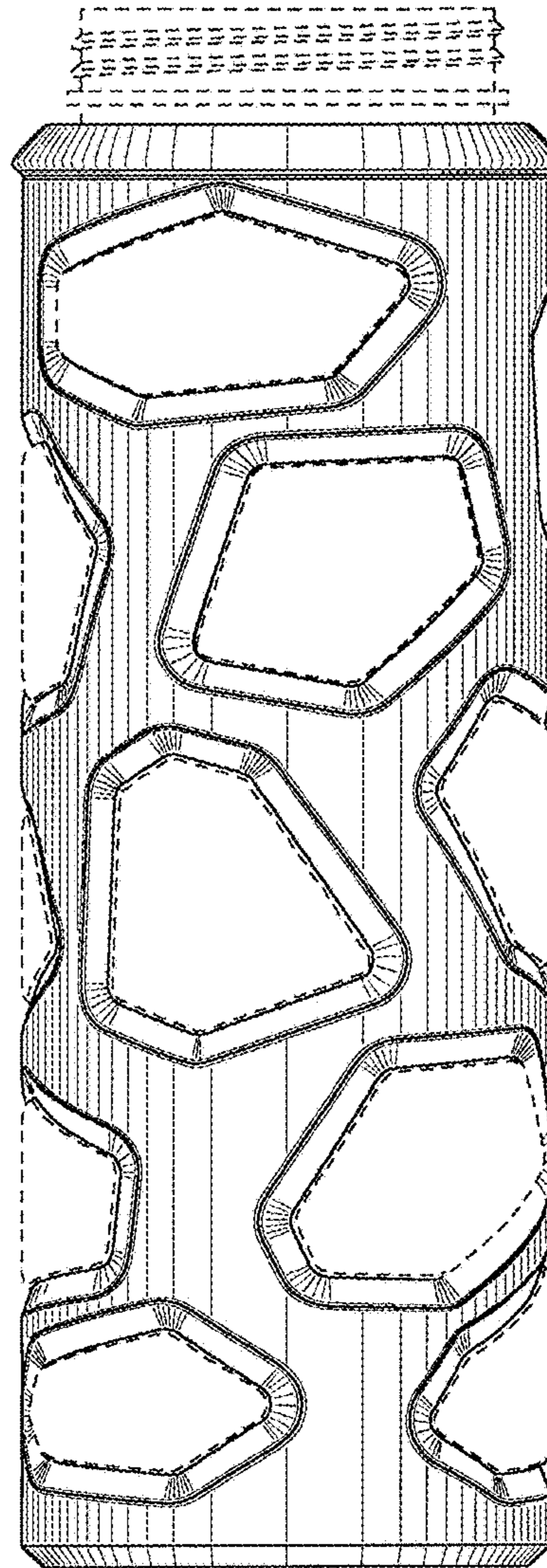


FIG. 2

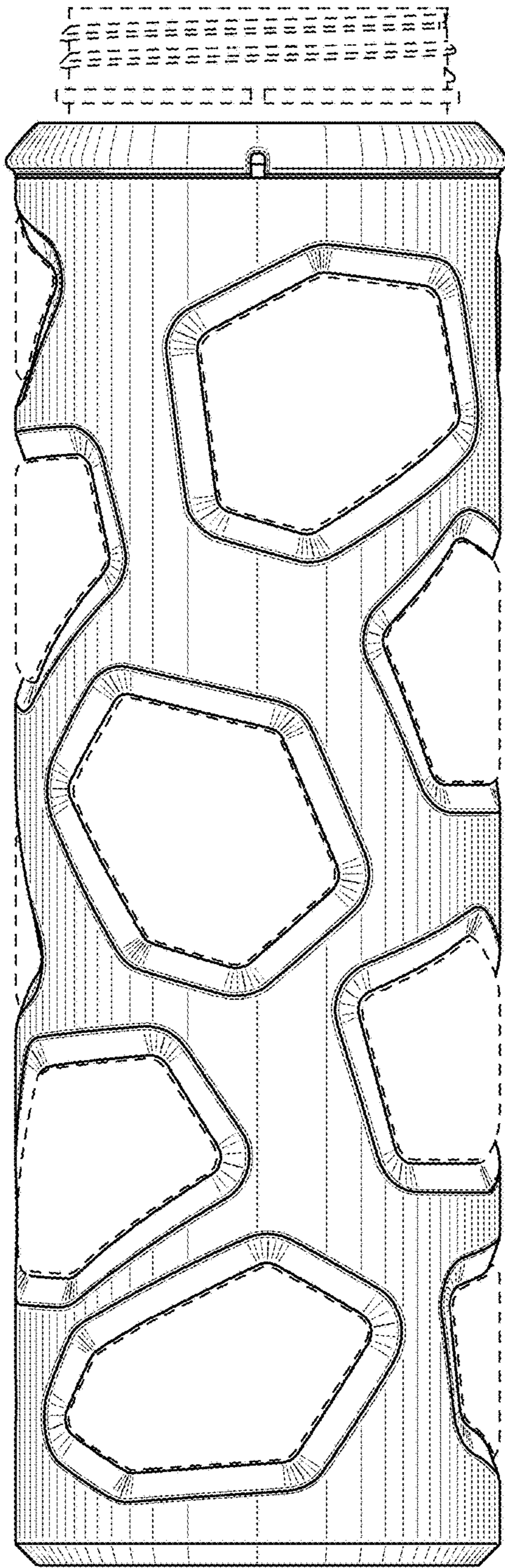


FIG. 3

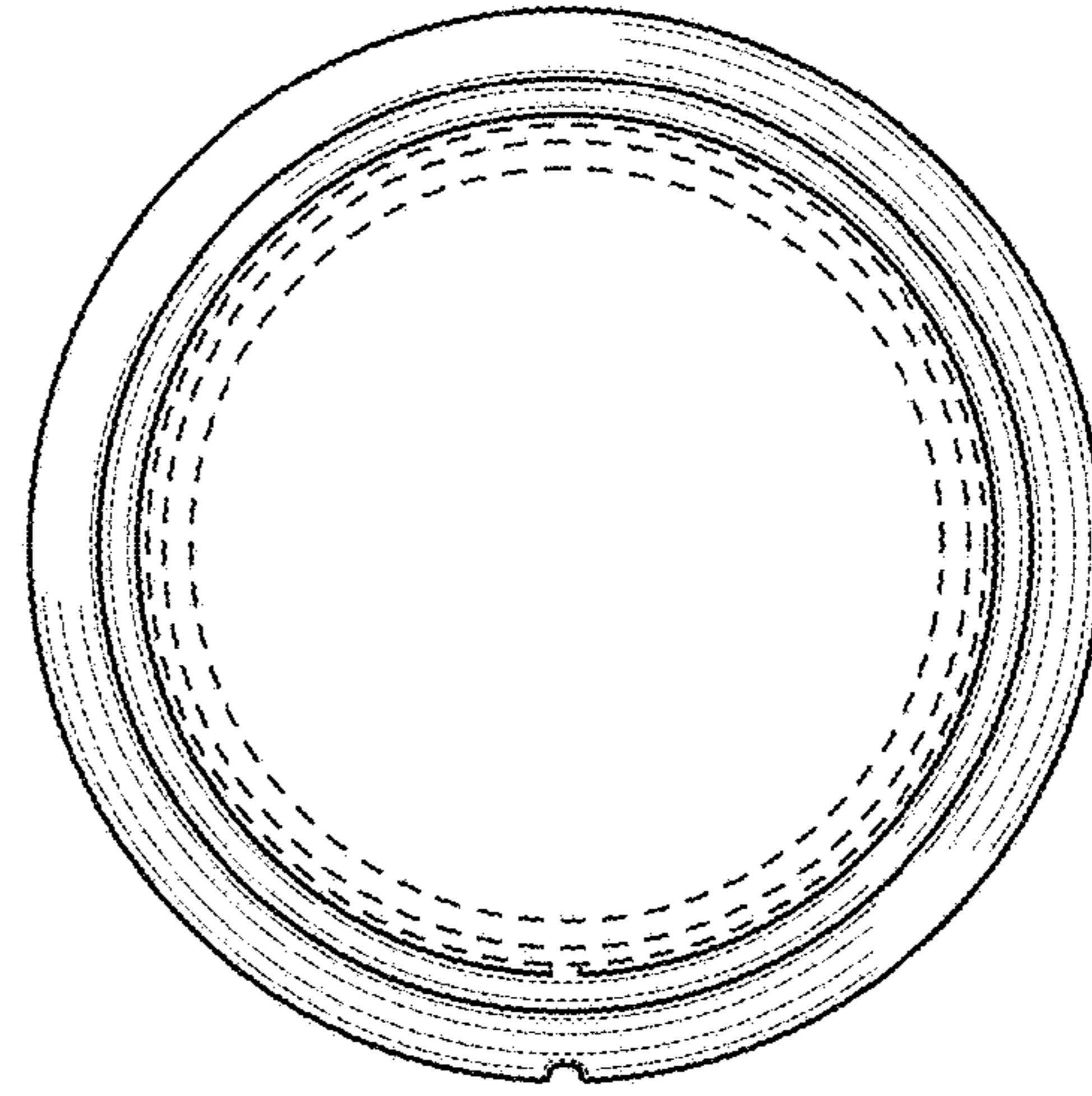


FIG. 4

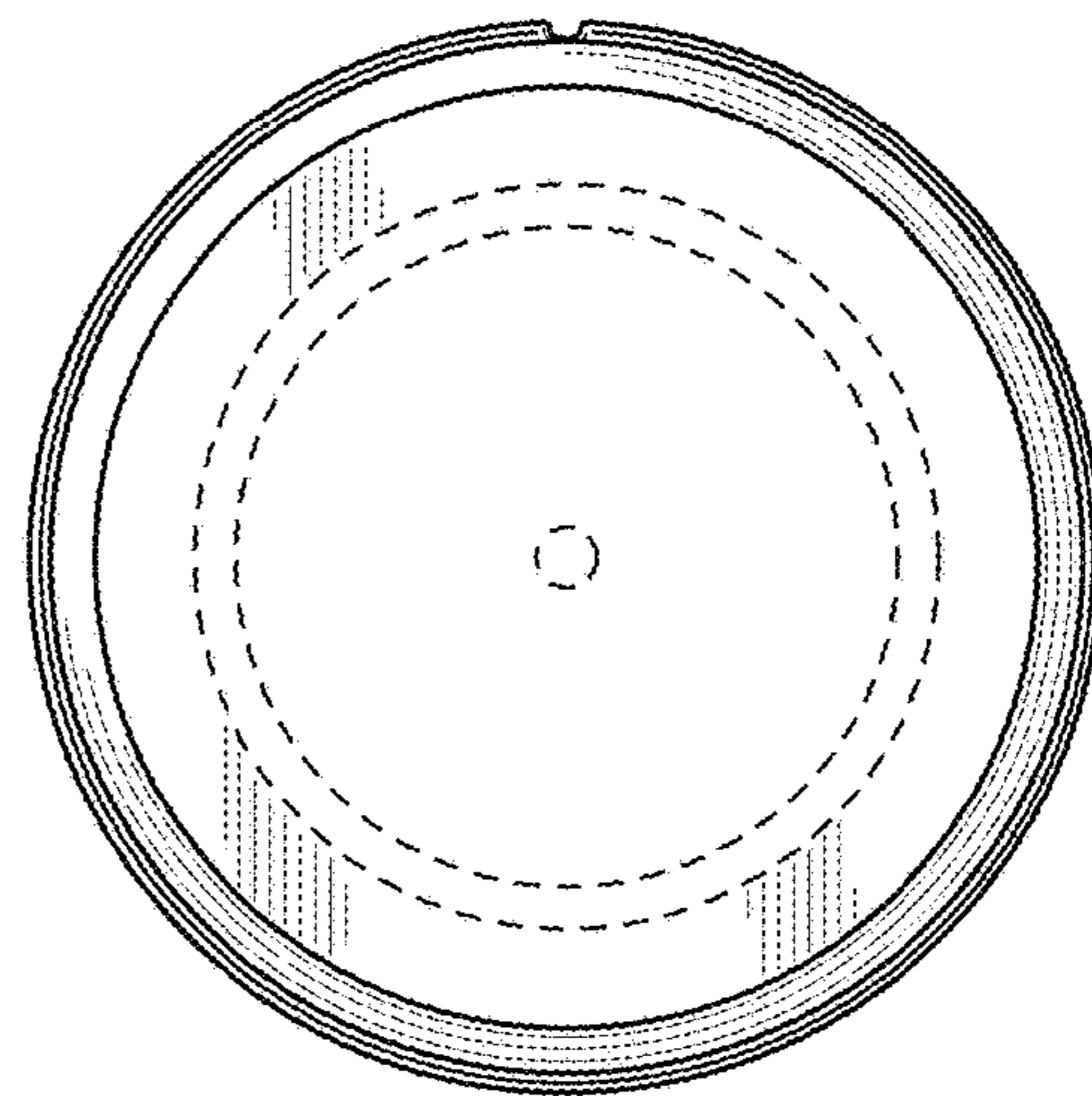


FIG. 5

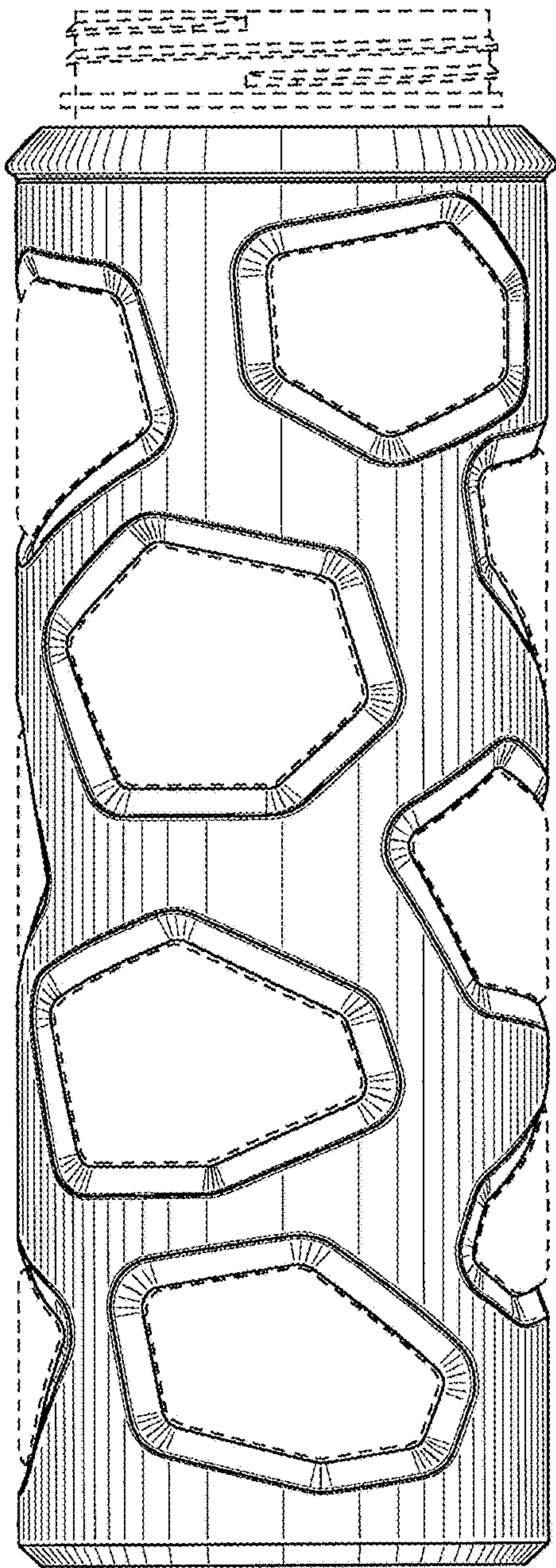


FIG. 6

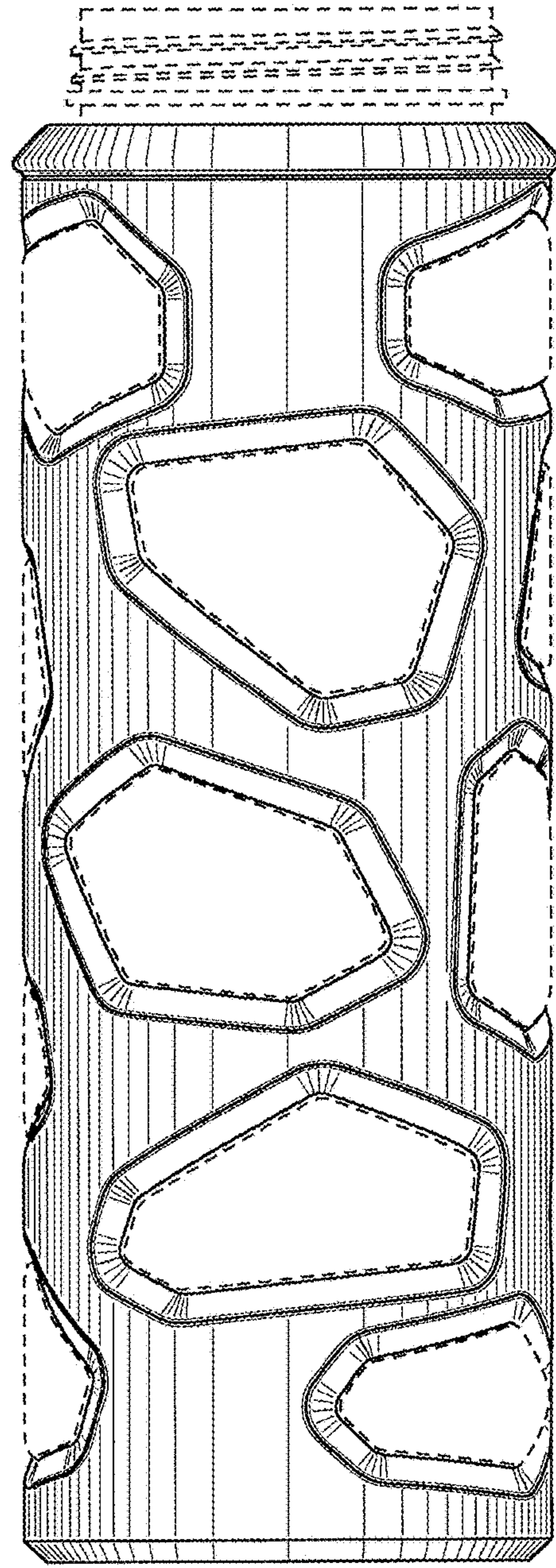


FIG. 7