



US00D804898S

(12) **United States Design Patent**
Hollinger

(10) **Patent No.:** **US D804,898 S**

(45) **Date of Patent:** **** Dec. 12, 2017**

(54) **SMOKELESS GRILL**

(71) Applicant: **E. MISHAN & SONS, INC.**, New York, NY (US)

(72) Inventor: **Fred Hollinger**, Monroe Township, NJ (US)

(73) Assignee: **E. Mishan & Sons, Inc.**, New York, NY (US)

(**) Term: **15 Years**

(21) Appl. No.: **29/608,781**

(22) Filed: **Jun. 26, 2017**

(51) **LOC (10) Cl.** **07-02**

(52) **U.S. Cl.**

USPC **D7/409**; D7/352; D7/362

(58) **Field of Classification Search**

USPC D7/323, 332, 335-337, 354-355, D7/359-367, 387-388, 402, 407-409

CPC A21B 2/00; A21B 3/00; A21B 3/13; A21B 3/15; A21B 5/00; A21B 5/02; A23N 12/06; A23N 12/08; A23N 12/10; A47J 36/2483; A47J 37/00; A47J 37/04; A47J 37/041; A47J 37/042; A47J 37/06; A47J 37/067; A47J 37/0676; A47J 37/0688; A47J 37/0694; A47J 37/07; A47J 37/0704; A47J 37/0709; A47J 37/10; A47J 47/20; A47J 2037/00; A47J 2037/06; A47J 2037/0611; A47J 2037/07; A47J 2037/0786; A47J 2037/0795; F24C 15/10; F24C 15/12; F24C 15/14; F24C 15/16; F24C 15/164; F24C 15/18

See application file for complete search history.

(56) **References Cited**

U.S. PATENT DOCUMENTS

D196,285 S * 9/1963 Farber D7/365
D204,779 S * 5/1966 Painter D7/365

D326,030 S * 5/1992 Silver D7/337
D351,083 S 10/1994 O'Brien et al.
5,355,779 A 10/1994 O'Brien et al.

(Continued)

FOREIGN PATENT DOCUMENTS

WO 2015043976 A1 4/2015
WO 2015044164 A1 4/2015

Primary Examiner — Ricky Pham

(74) *Attorney, Agent, or Firm* — Notaro, Michalos & Zaccaria P.C.

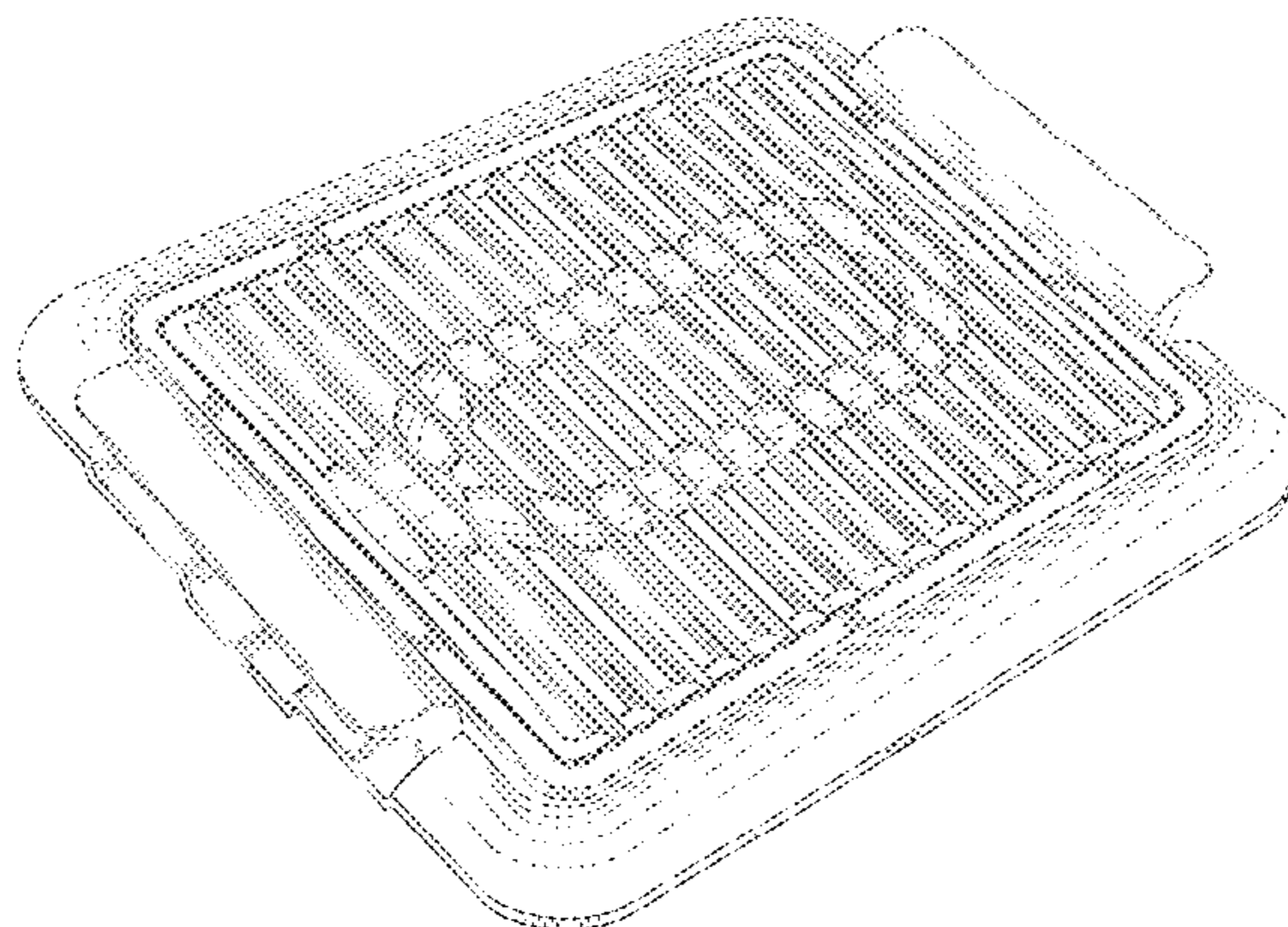
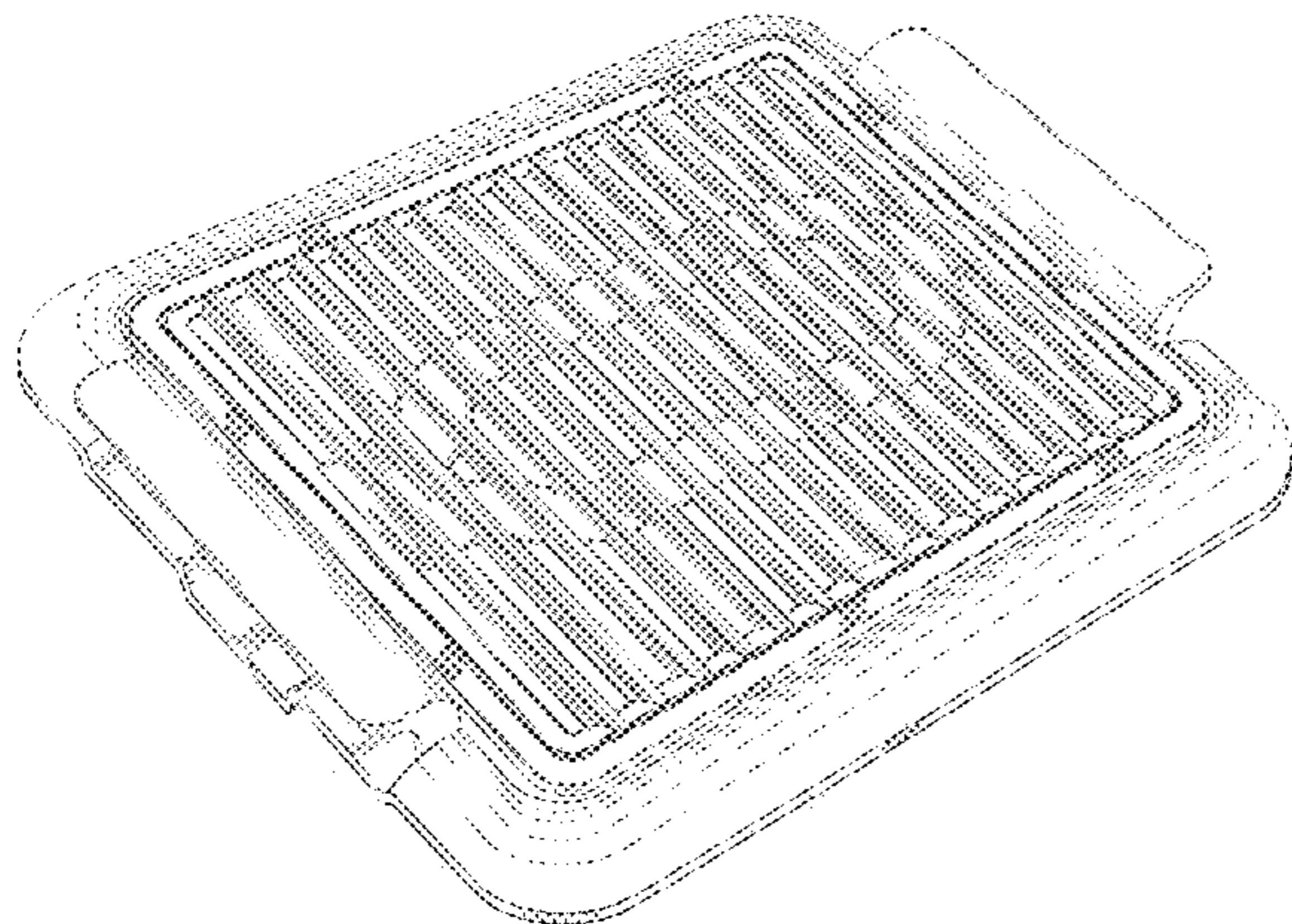
(57) **CLAIM**

The ornamental design for a smokeless grill, as shown and described.

DESCRIPTION

FIG. 1 is a front, left, top perspective view of a smokeless grill showing my design therefor;
FIG. 2 is a top plan view thereof;
FIG. 3 is a bottom plan view thereof;
FIG. 4 is a left side elevational view thereof;
FIG. 5 is a right side elevational view thereof;
FIG. 6 is a front elevational view thereof, the rear elevational view being a mirror image thereof;
FIG. 7 is a cross-sectional view of FIG. 2, taken along line 7-7 thereof;
FIG. 8 is a front, left, top perspective view of a second embodiment of a smokeless grill;
FIG. 9 is a top plan view of the second embodiment;
FIG. 10 is a bottom plan view of the second embodiment;
FIG. 11 is a left side elevational view of the second embodiment;
FIG. 12 is a right side elevational view of the second embodiment;
FIG. 13 is a front elevational view of the second embodiment, the rear elevational view being a mirror image thereof; and,
FIG. 14 is a cross-sectional view of FIG. 9, taken along line 14-14 thereof.

1 Claim, 12 Drawing Sheets



(56)

References Cited

U.S. PATENT DOCUMENTS

D369,059 S * 4/1996 Carnovali D7/362
 5,524,528 A * 6/1996 Yeh A47J 37/0709
 219/459.1
 D377,134 S 1/1997 Des Touche
 D380,342 S 7/1997 Edmonds
 5,884,555 A * 3/1999 Chang A47J 37/067
 99/400
 D415,927 S * 11/1999 Weber D7/363
 6,024,014 A 2/2000 Kasai
 D429,946 S * 8/2000 Lee D7/362
 D432,852 S 10/2000 Mosher, II et al.
 D437,183 S * 2/2001 Wong D7/362
 D441,250 S 5/2001 Choi
 D444,667 S * 7/2001 Wong D7/362
 6,262,399 B1 * 7/2001 Lau A47J 37/0676
 219/450.1
 D452,630 S 1/2002 Choi
 D457,393 S 5/2002 Lewis
 D473,419 S * 4/2003 Garman D7/363

D484,737 S 1/2004 Bodum
 D497,769 S * 11/2004 Steinberg D7/363
 D505,044 S 5/2005 Hei
 6,930,288 B1 * 8/2005 Lin A47J 36/2483
 219/450.1
 7,475,630 B2 * 1/2009 Steinberg A47J 37/0676
 219/452.13
 D618,047 S * 6/2010 Seymour D7/367
 D644,059 S * 8/2011 Bodum D7/362
 D660,640 S * 5/2012 De'Longhi D7/354
 D676,272 S * 2/2013 Liu D7/352
 D697,752 S * 1/2014 De'Longhi D7/352
 D702,500 S * 4/2014 Ishii D7/409
 D726,494 S * 4/2015 Mazoyer D7/362
 D730,109 S 5/2015 Louloudakis et al.
 D730,110 S * 5/2015 Louloudakis D7/362
 D732,336 S * 6/2015 Mazoyer D7/363
 D736,029 S * 8/2015 Huber D7/352
 D757,493 S * 5/2016 Lee D7/352
 D758,785 S 6/2016 Verbrugge
 2016/0227964 A1 8/2016 Van Zutphen et al.

* cited by examiner

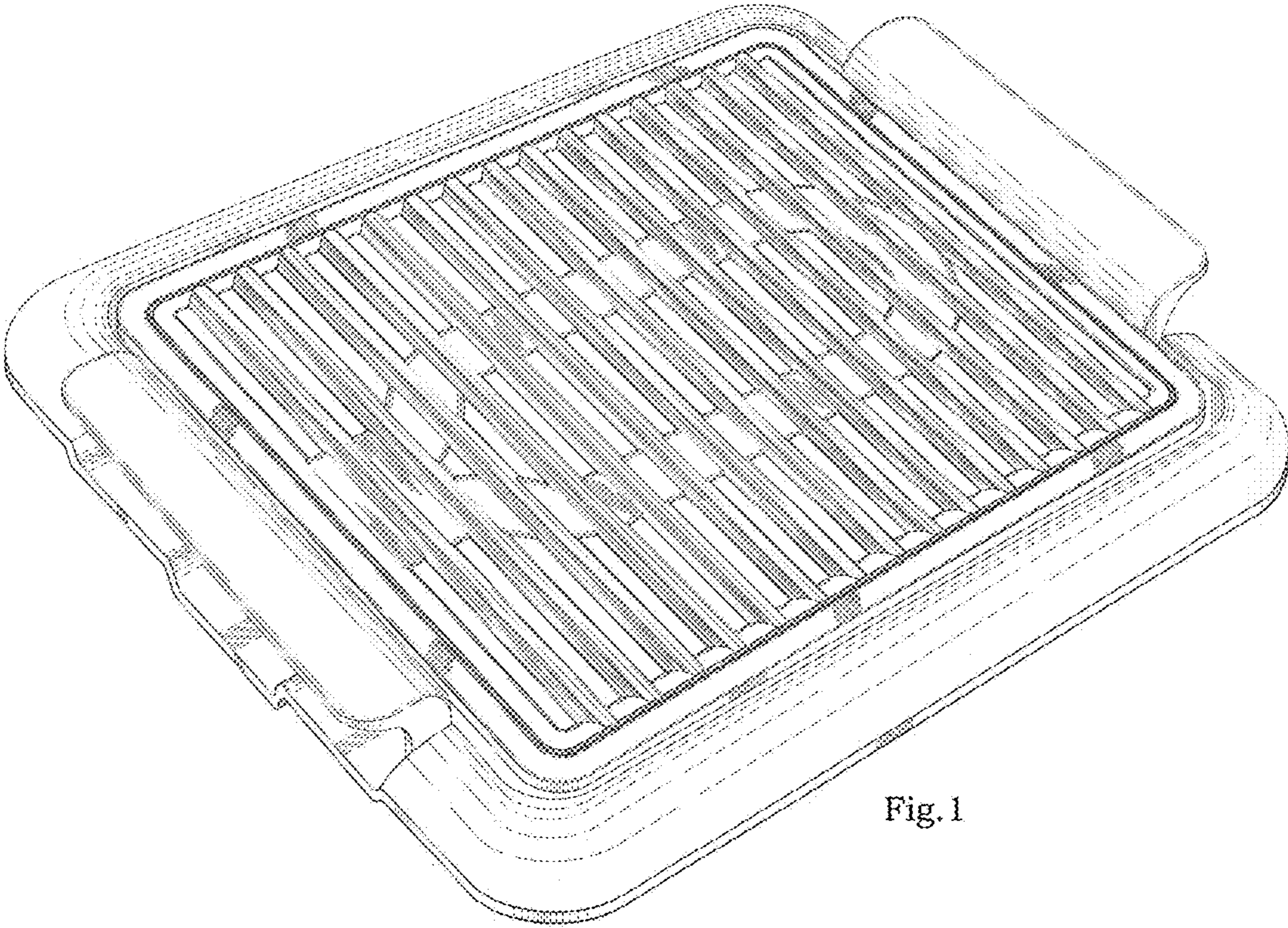


Fig. 1

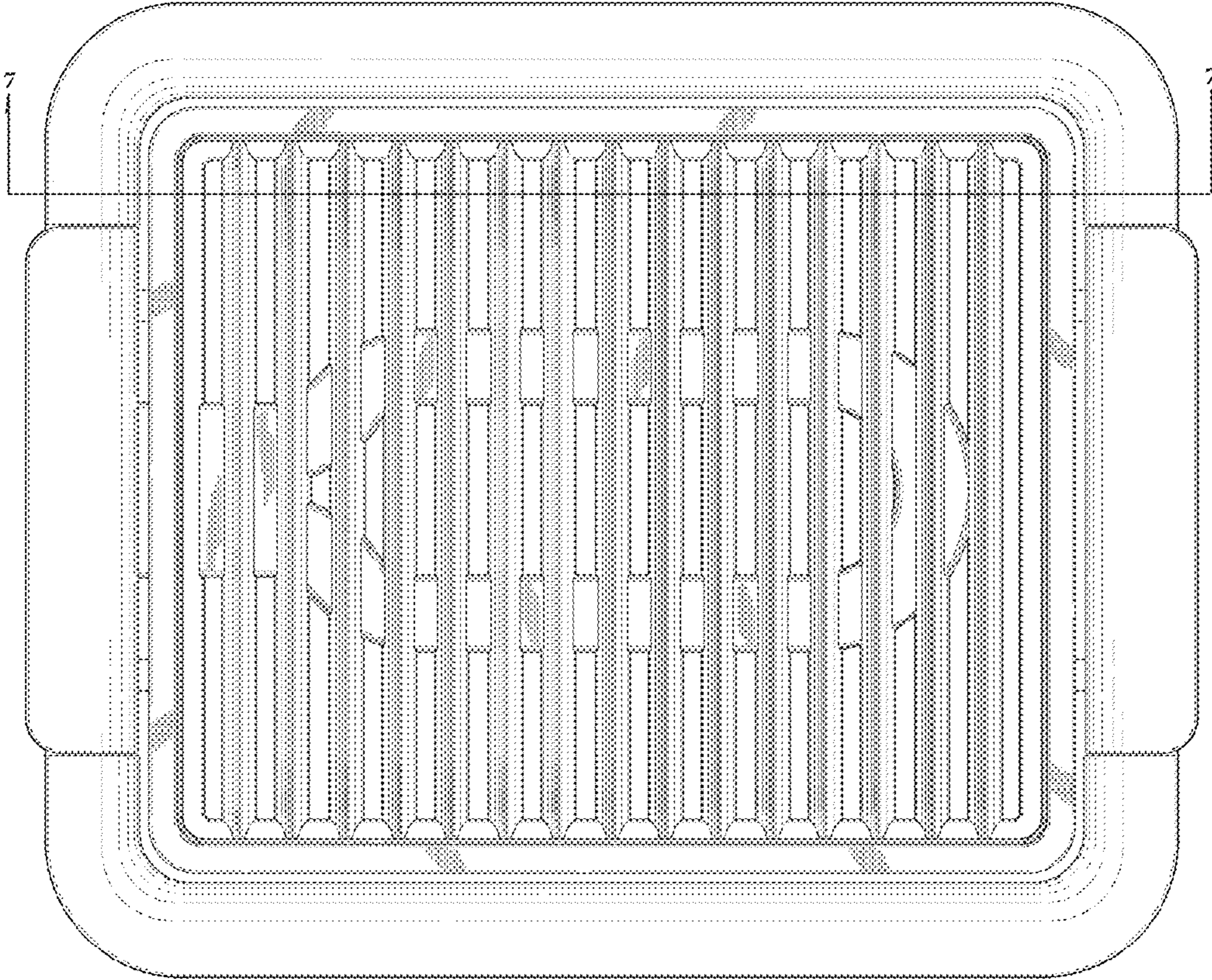


Fig. 2

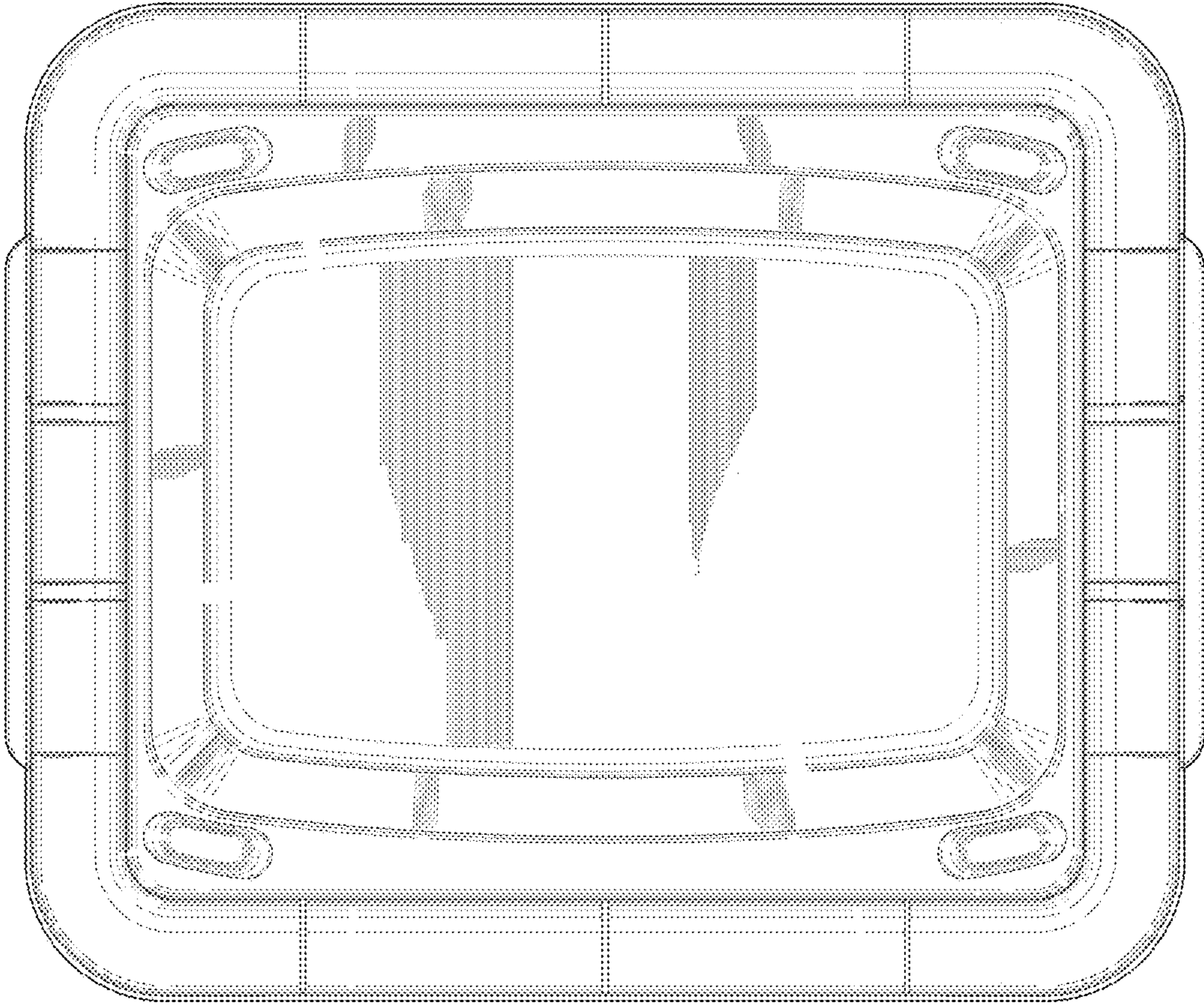


Fig. 3

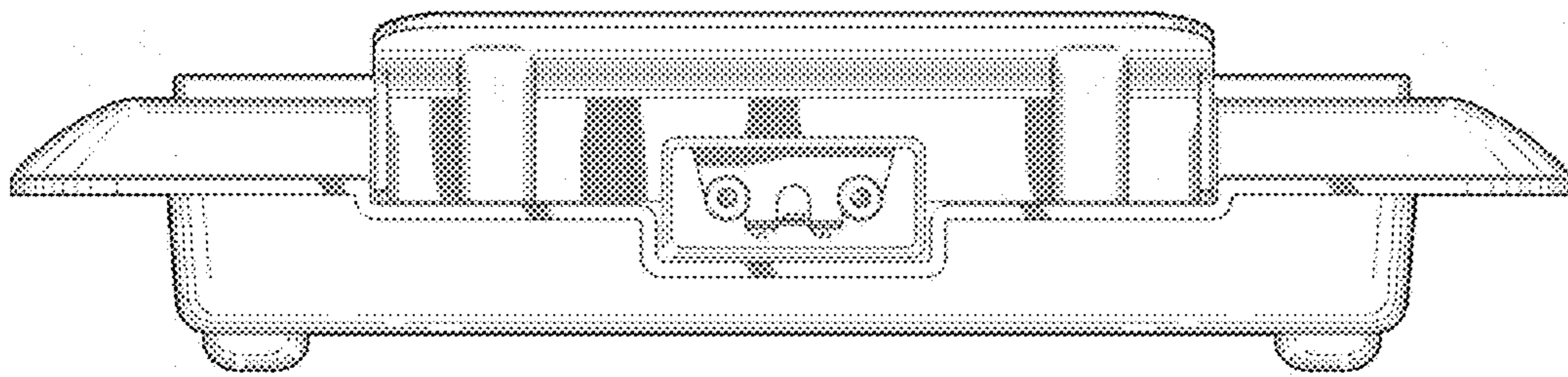


Fig. 4

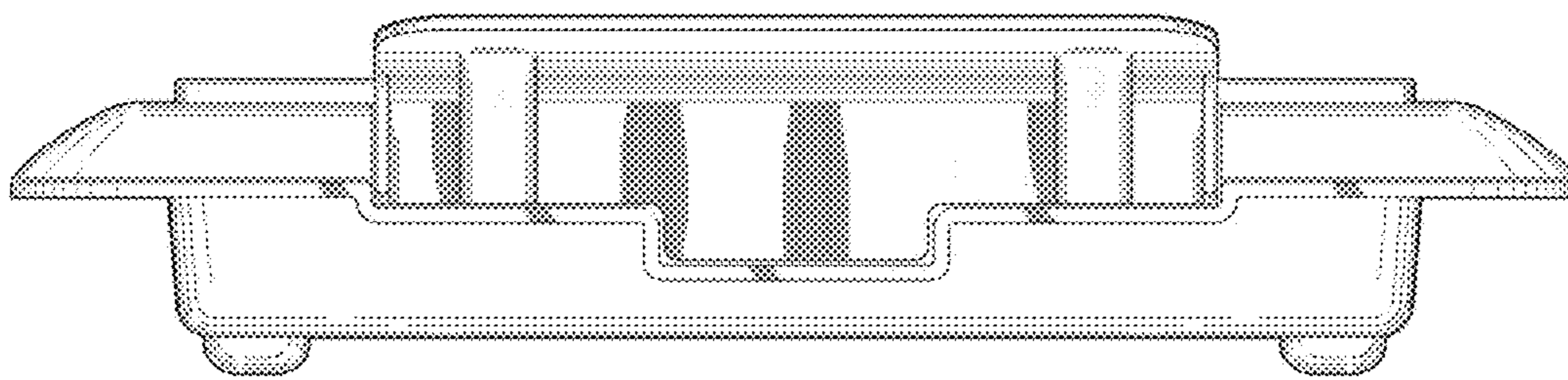


Fig. 5

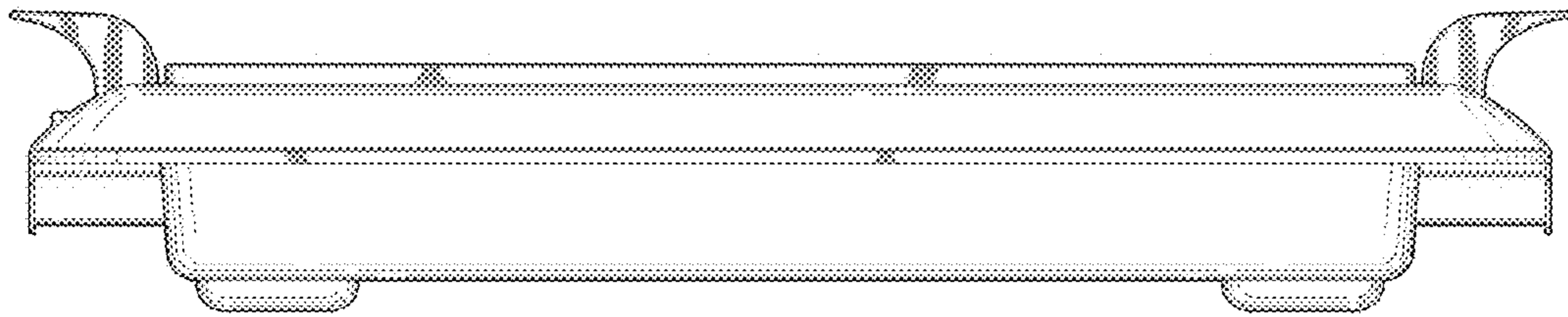


Fig. 6

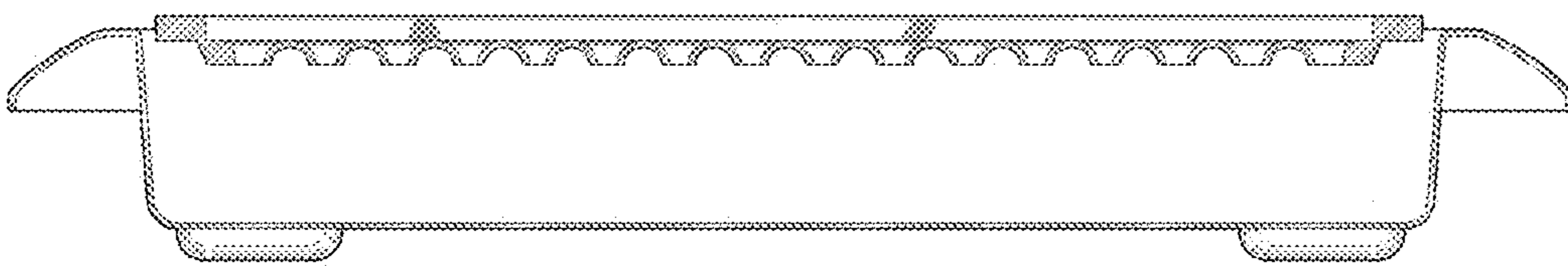


Fig.7

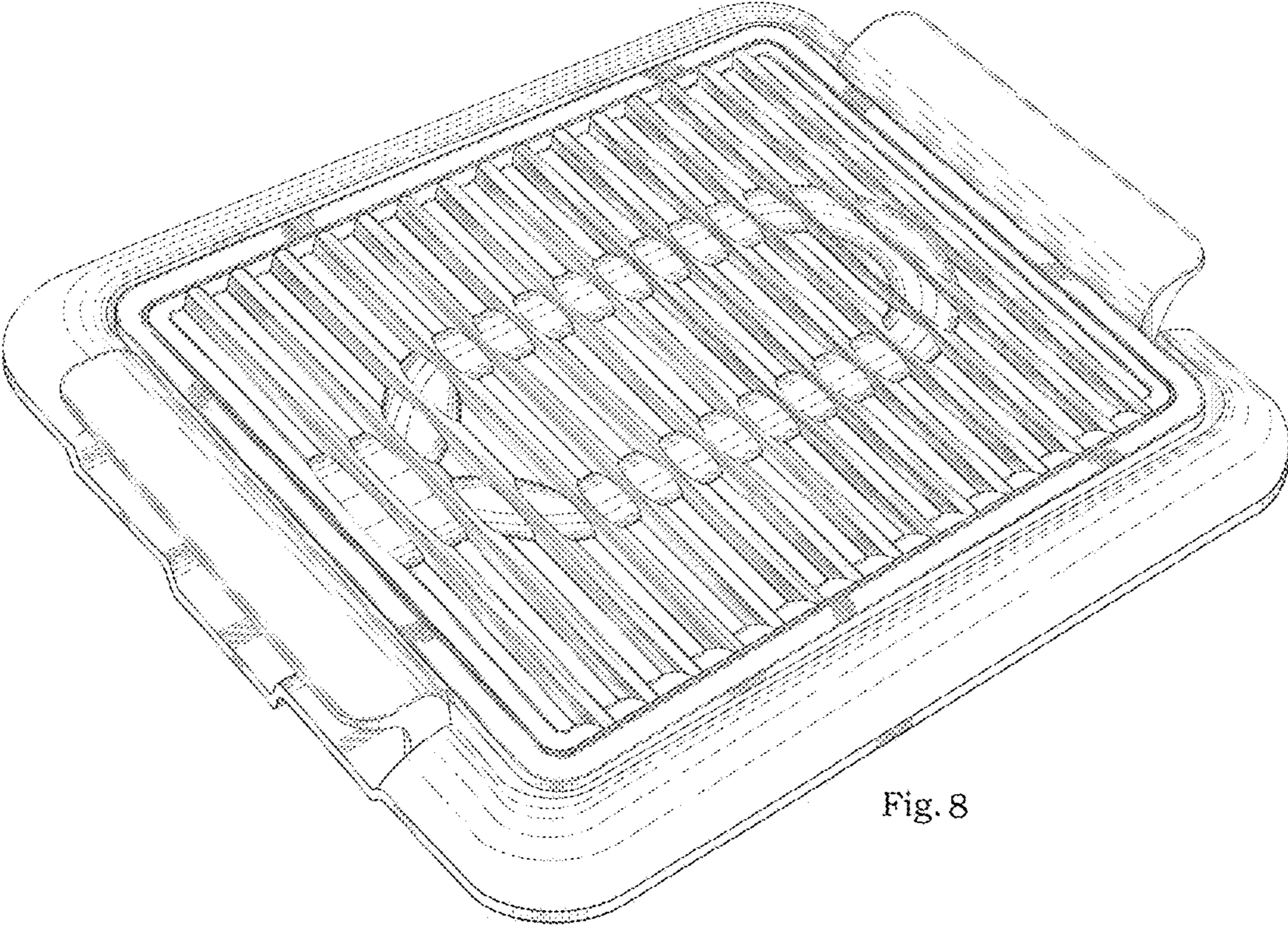


Fig. 8

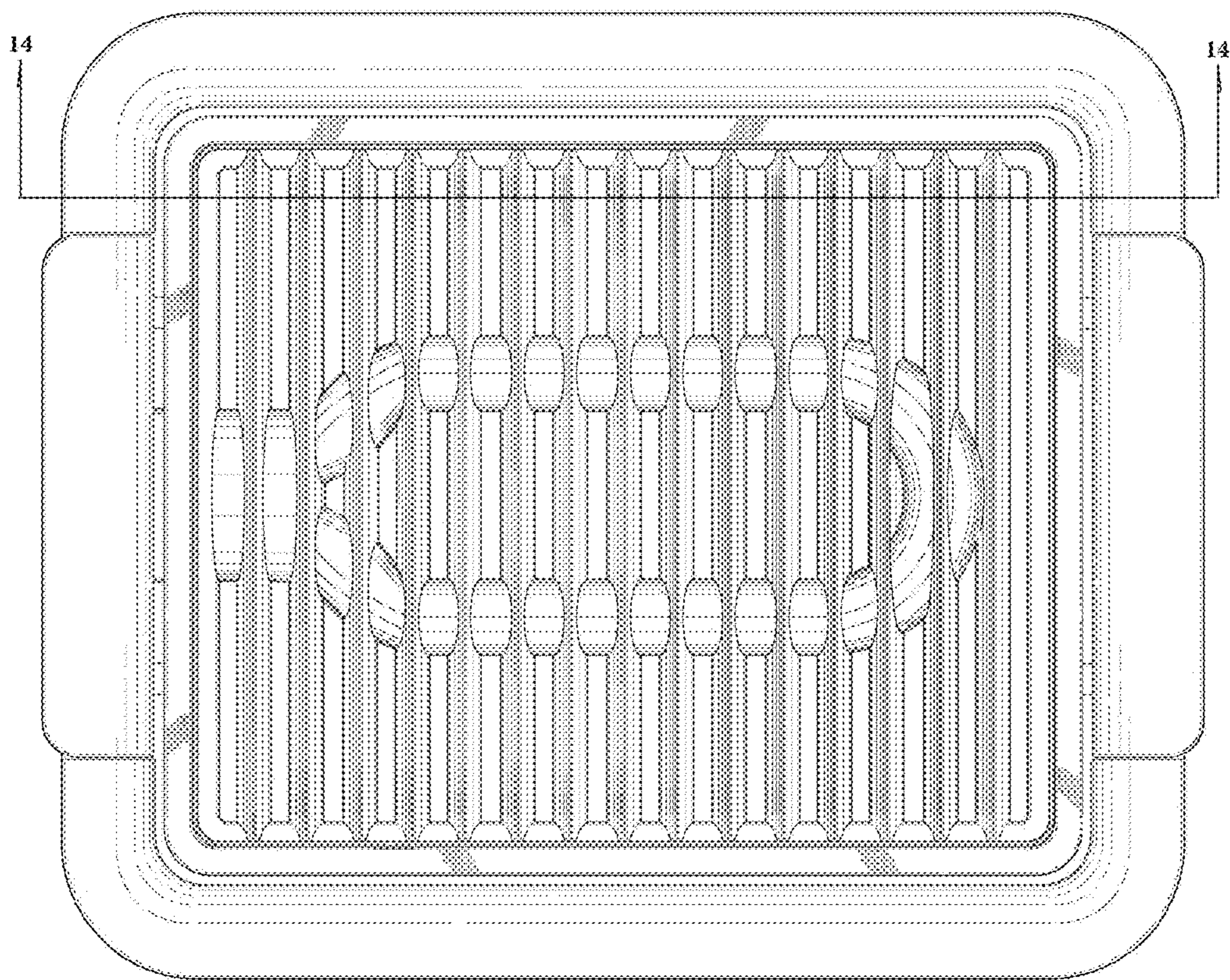


Fig.9

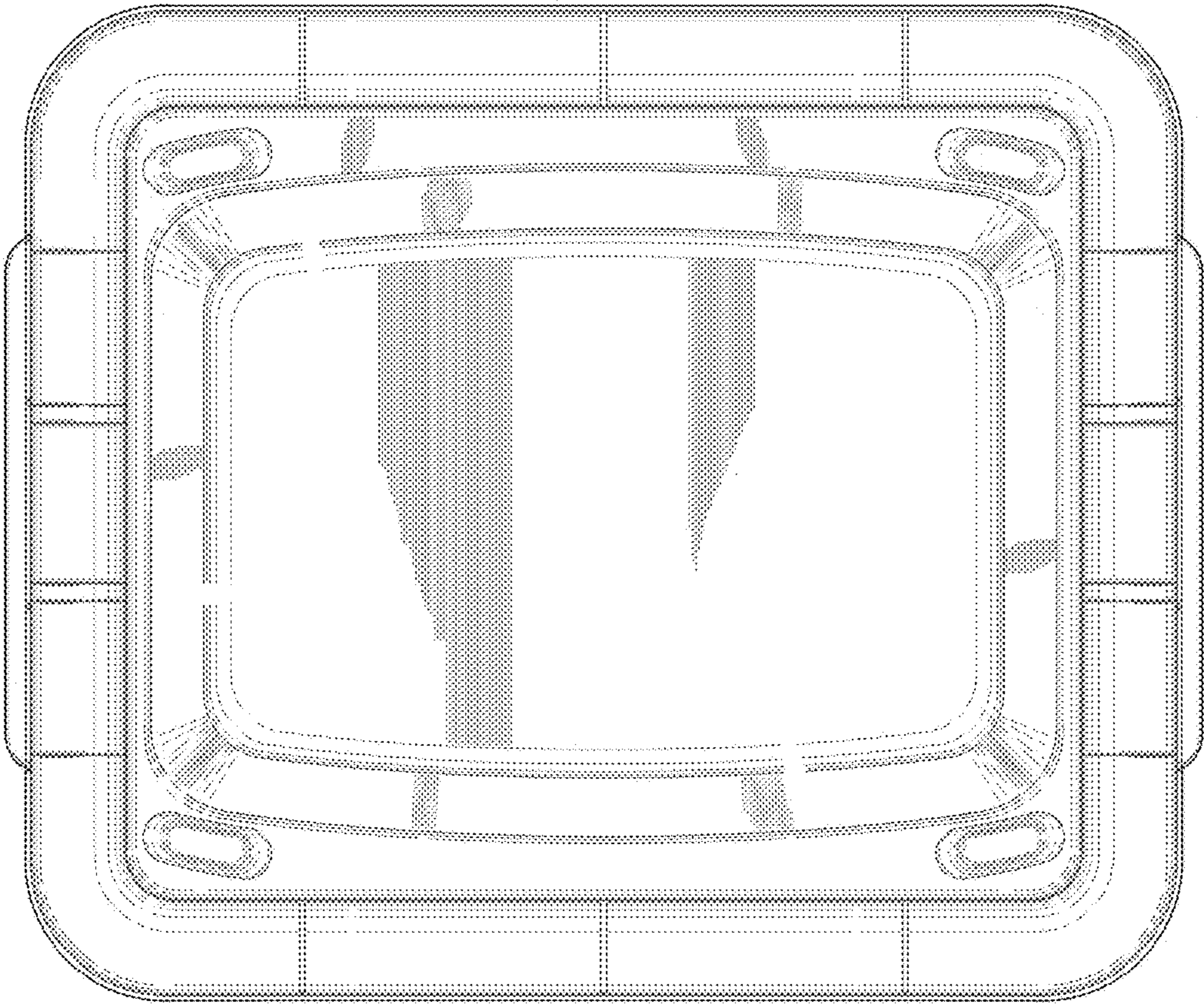


Fig. 10

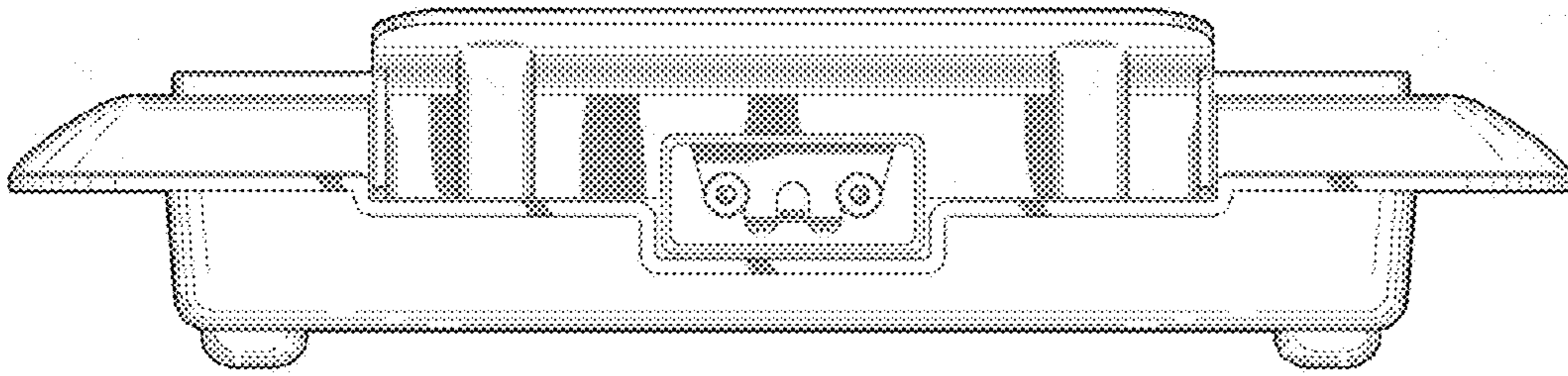


Fig. 11

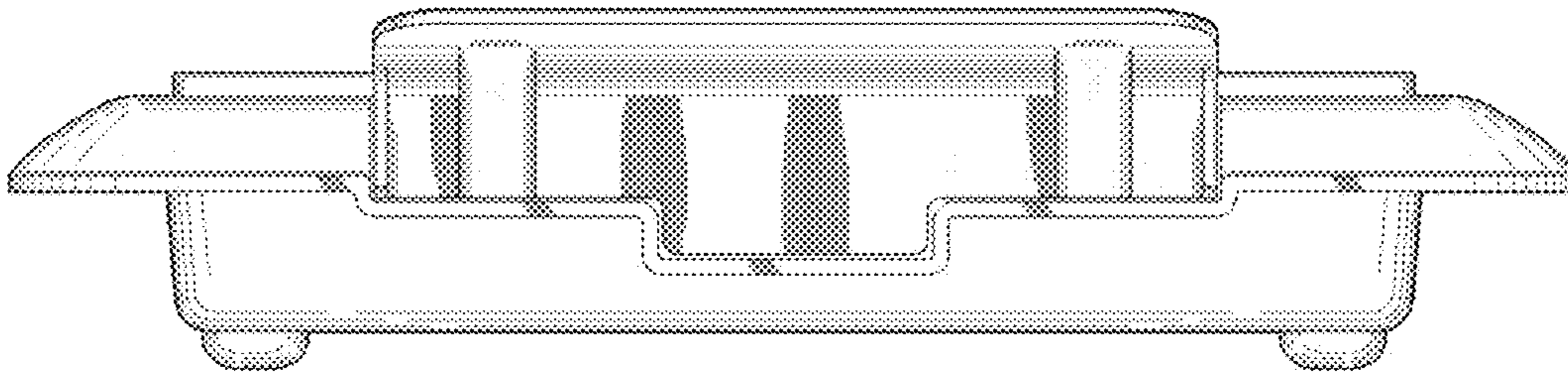


Fig. 12

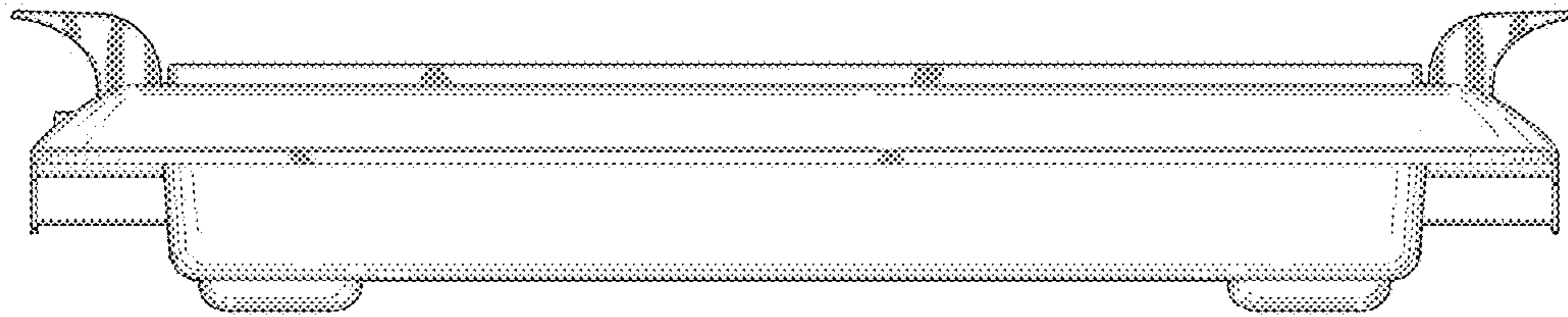


Fig. 13

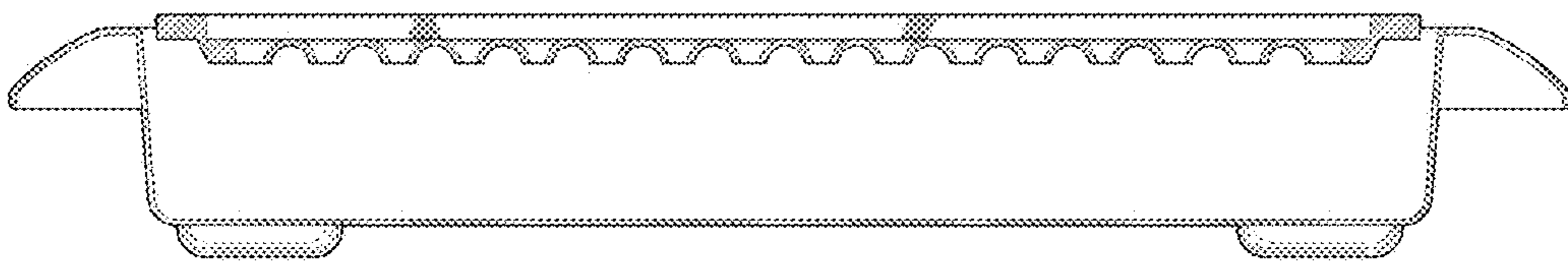


Fig. 14