

US00D804897S

(12) **United States Design Patent**  
**Loshuk**

(10) **Patent No.:** **US D804,897 S**

(45) **Date of Patent:** **\*\* Dec. 12, 2017**

- (54) **BEVERAGE GARNISH DECK**
- (71) Applicant: **Mark A. Loshuk**, Fort Lauderdale, FL (US)
- (72) Inventor: **Mark A. Loshuk**, Fort Lauderdale, FL (US)
- (73) Assignee: **Mark Loshuk**
- (\*\*) Term: **15 Years**
- (21) Appl. No.: **29/600,810**
- (22) Filed: **Apr. 17, 2017**
- (51) **LOC (10) Cl.** ..... **07-99**
- (52) **U.S. Cl.**  
USPC ..... **D7/396.2; D7/396.1; D7/387**
- (58) **Field of Classification Search**  
USPC ..... D7/392.1, 396.2, 396.3, 396.6, 397, 398, D7/399, 400, 402, 387, 213, 388, 510, D7/511, 507, 624.1, 624.2, 506, 505, 406, D7/708.1, 619.1, 622, 633, 635; D9/435, D9/436, 440, 453, 455, 499, 454; 220/200, 703, 592.16, 592.17  
CPC .... B65D 41/04; B65D 41/0414; B65D 43/02; B65D 41/56; Y10S 330/903; A47G 19/2288; A47G 2019/2277; A47G 19/2227  
See application file for complete search history.

D349,206 S *	8/1994	Fischer	.....	D6/536
5,735,395 A *	4/1998	Lo	.....	B65D 33/14
				206/278
D393,988 S *	5/1998	Rogers	.....	D7/701
D498,974 S *	11/2004	Hsieh	.....	D7/387
D552,417 S *	10/2007	Ben-Shlomo	.....	D7/387
D562,081 S *	2/2008	Ambach	.....	D7/619.1
D592,058 S *	5/2009	Rapaport	.....	D7/622
D659,302 S *	5/2012	Rose	.....	D30/121
D722,823 S *	2/2015	Del Mar Menendez	.....	D7/507
D727,112 S *	4/2015	Henry	.....	D7/620
D773,885 S *	12/2016	Loshuk	.....	D7/387
D777,510 S *	1/2017	Loshuk	.....	D7/387
2008/0290089 A1 *	11/2008	Ciarrocchi, Jr.	.....	B65D 25/20
				220/23.4
2010/0304005 A1 *	12/2010	Beale	.....	A47J 43/287
				426/665
2011/0240664 A1 *	10/2011	Liggins	.....	A47G 19/2211
				220/703

\* cited by examiner

*Primary Examiner* — Marianne Pandozzi  
*Assistant Examiner* — Jae Liang

(57) **CLAIM**

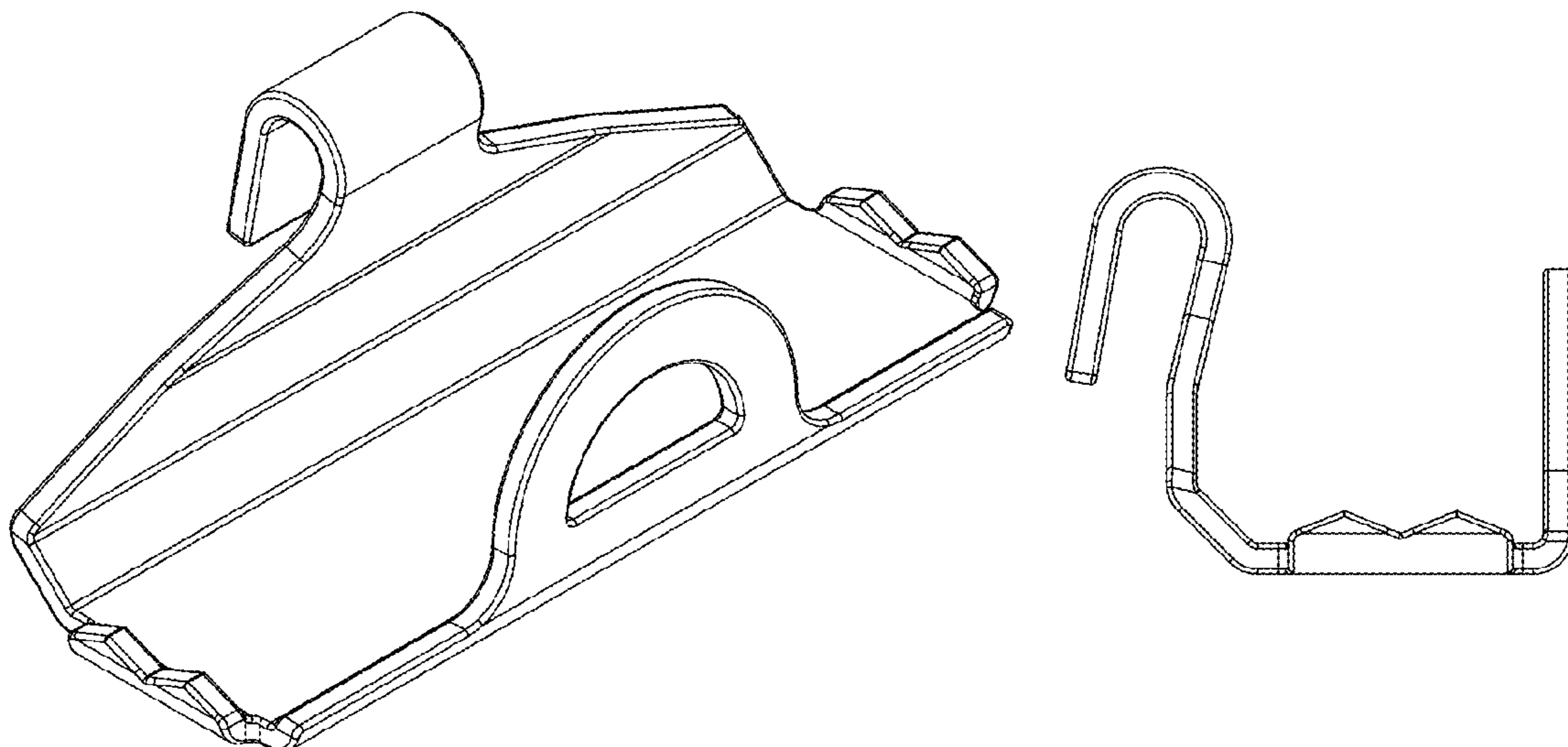
The ornamental design for a beverage garnish deck, as shown and described.

**DESCRIPTION**

FIG. 1 is a front perspective view of a beverage garnish deck showing my new design;  
FIG. 2 is a side view thereof;  
FIG. 3 is a rear view thereof;  
FIG. 4 is a front view thereof;  
FIG. 5 is a top view thereof;  
FIG. 6 is a bottom view thereof;  
FIG. 7 is a rear perspective view thereof; and,  
FIG. 8 is a bottom perspective view thereof.

**1 Claim, 8 Drawing Sheets**

- (56) **References Cited**  
U.S. PATENT DOCUMENTS  
3,486,683 A \* 12/1969 Kamins ..... B65D 33/1683  
223/96  
D248,910 S \* 8/1978 DeFilippo ..... D6/513  
D250,009 S \* 10/1978 Karotseris ..... D11/143  
D297,335 S \* 8/1988 Atwell ..... D19/86



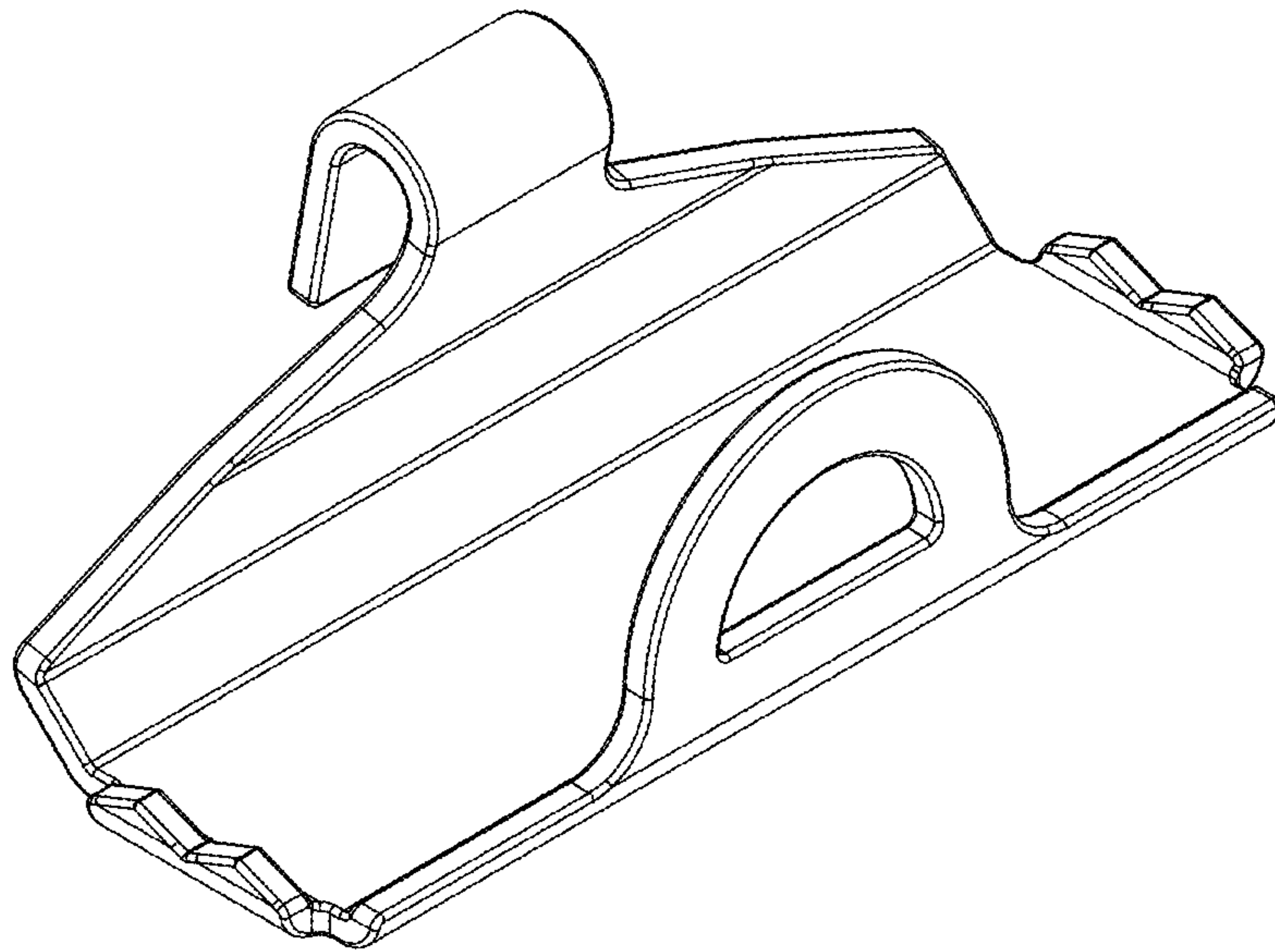


FIG. 1

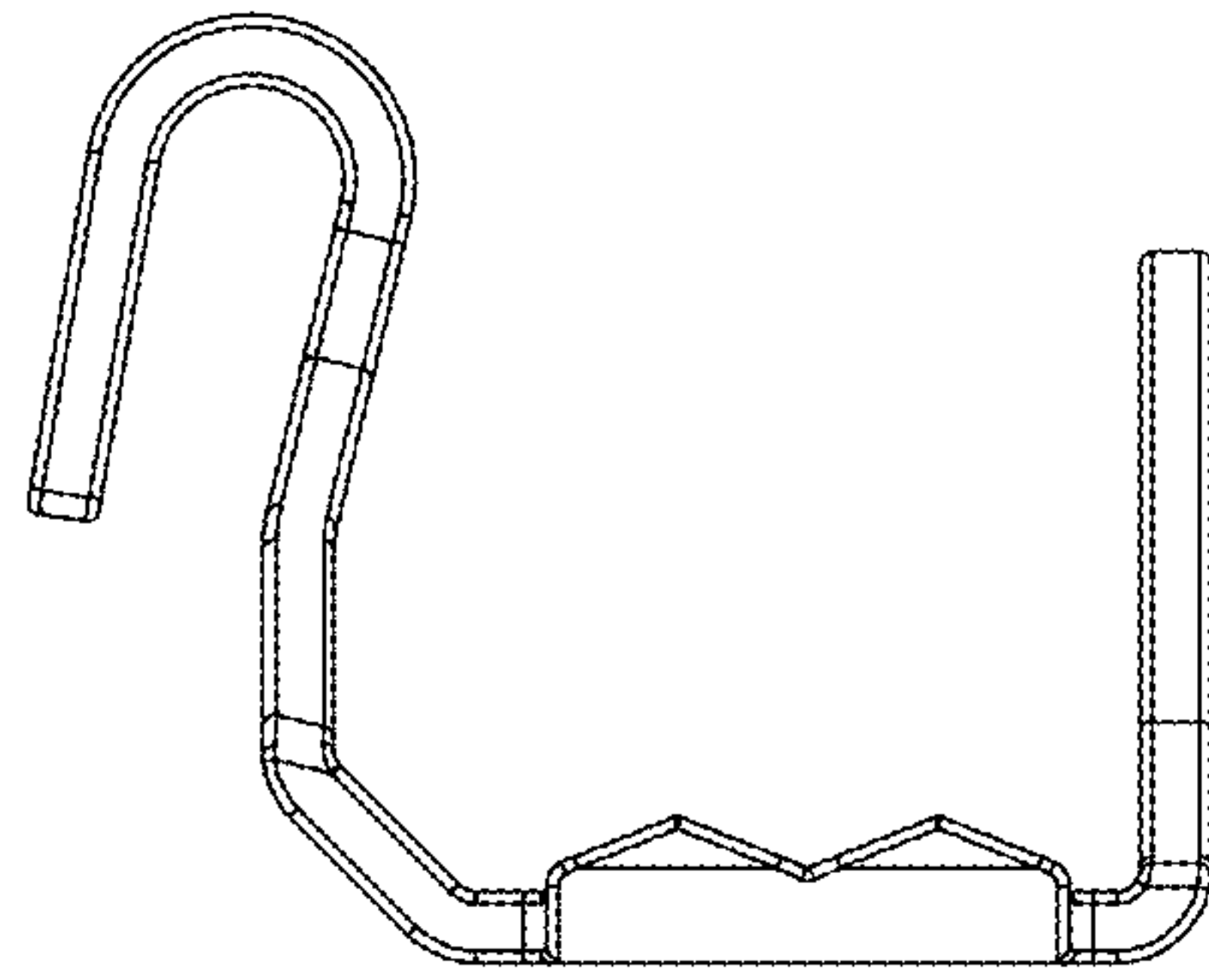


FIG. 2

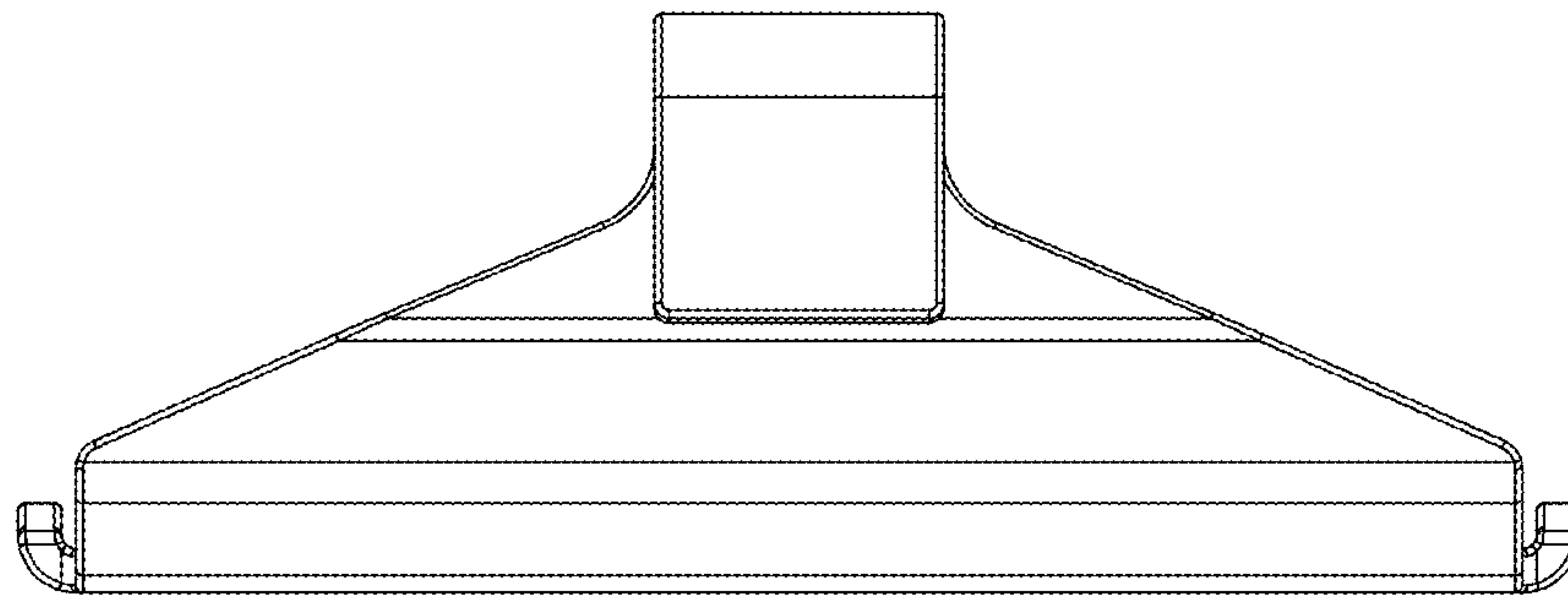


FIG. 3

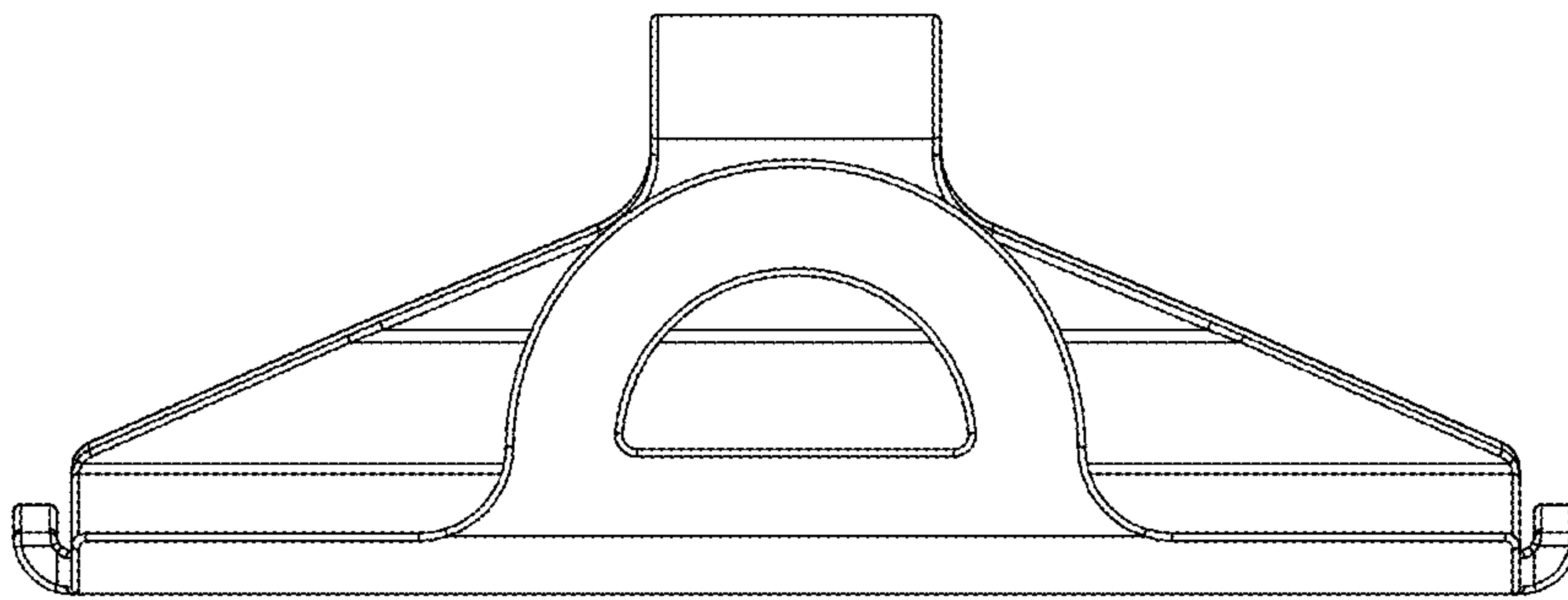


FIG. 4

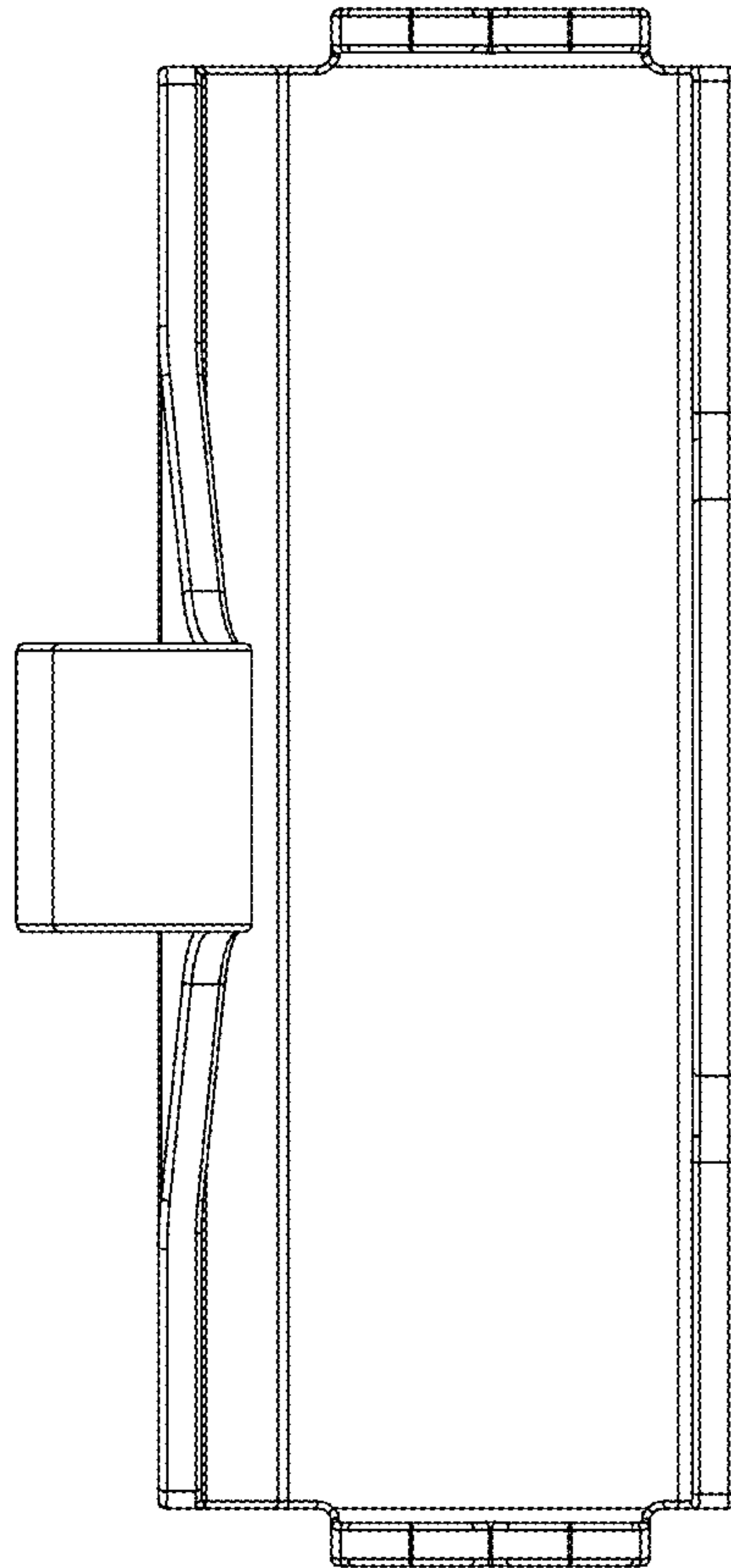


FIG. 5

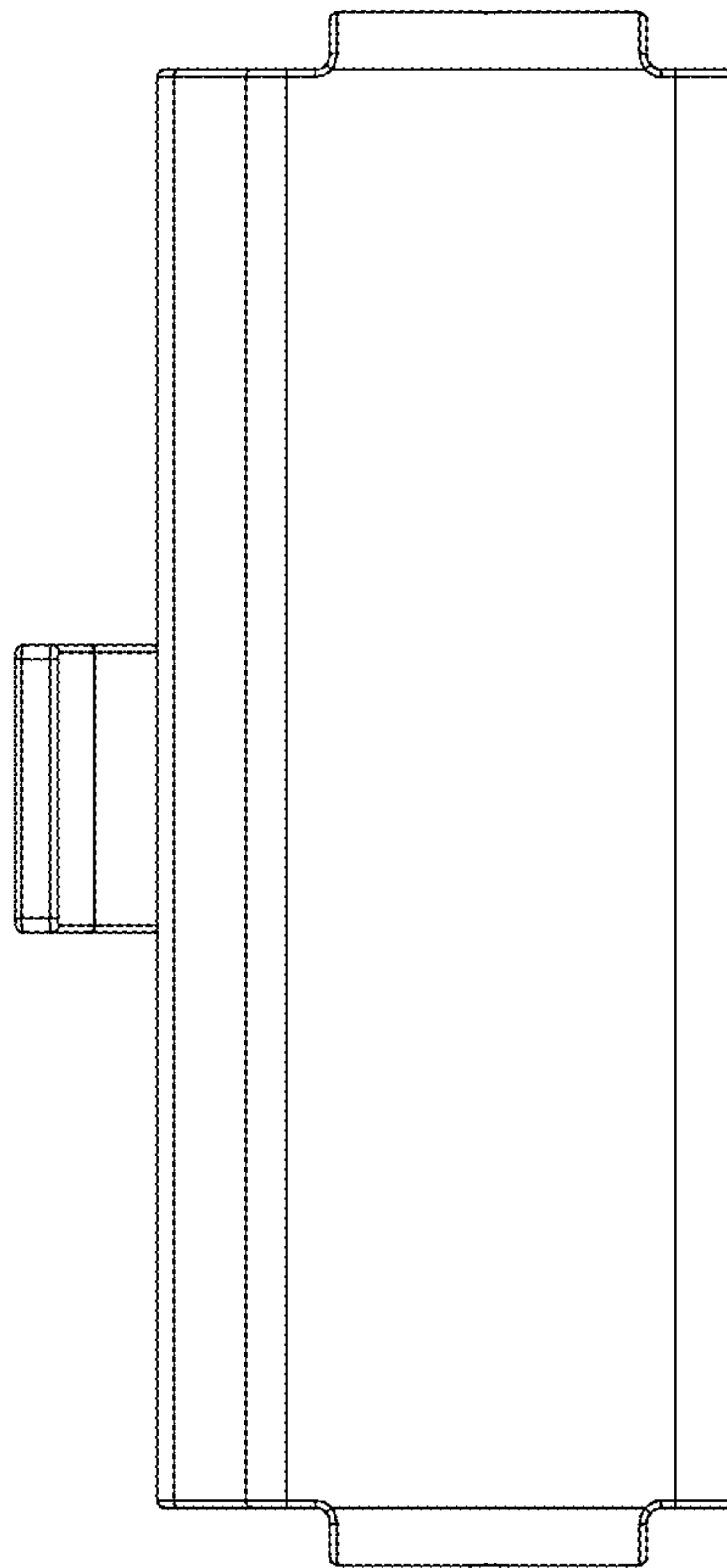


FIG. 6

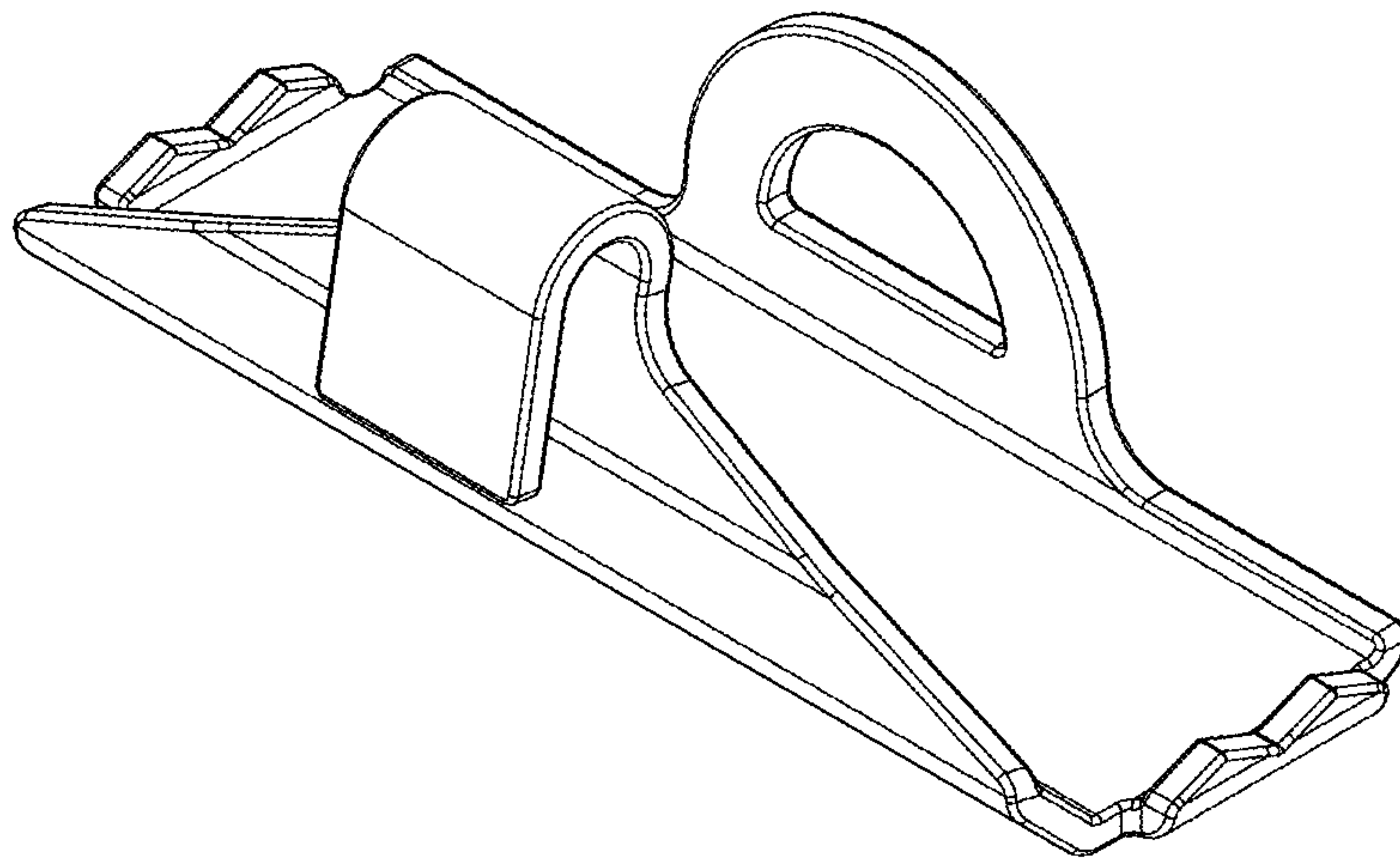


FIG. 7



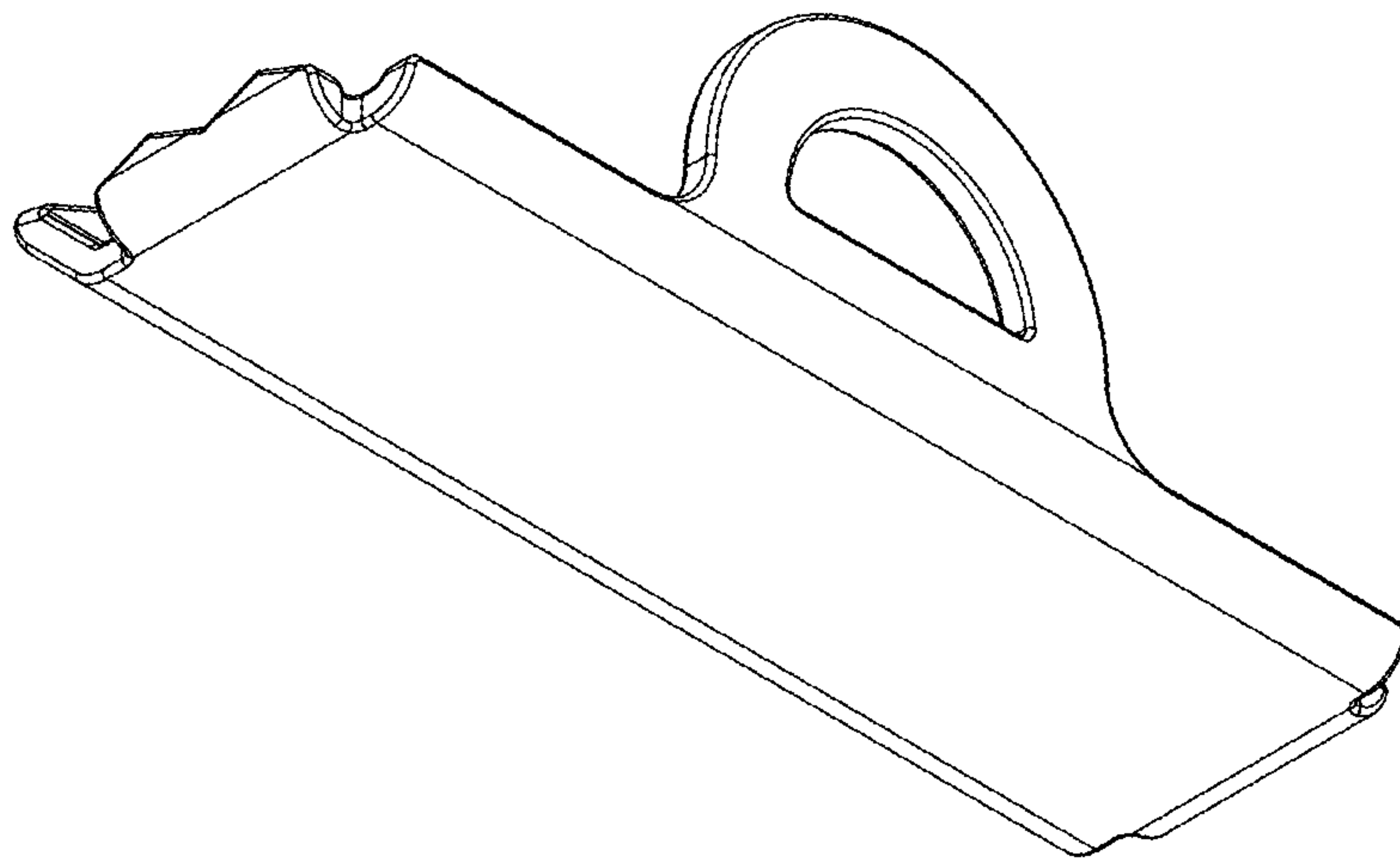


FIG. 8