



US00D804896S

(12) **United States Design Patent**
Loshuk

(10) **Patent No.:** **US D804,896 S**

(45) **Date of Patent:** **** Dec. 12, 2017**

- (54) **BEVERAGE GARNISH CLIP**
- (71) Applicant: **Mark A. Loshuk**, Fort Lauderdale, FL (US)
- (72) Inventor: **Mark A. Loshuk**, Fort Lauderdale, FL (US)
- (73) Assignee: **Mark Loshuk**
- (**) Term: **15 Years**
- (21) Appl. No.: **29/593,878**
- (22) Filed: **Feb. 14, 2017**

Related U.S. Application Data

- (62) Division of application No. 29/539,339, filed on Sep. 14, 2015, now Pat. No. Des. 777,510.
- (51) **LOC (10) Cl.** **07-99**
- (52) **U.S. Cl.**
USPC **D7/396.2**; 7/396.1; 7/387
- (58) **Field of Classification Search**
USPC D7/396.2, 396.1, 387, 388, 396.6, 397, D7/398, 601, 602, 600.1, 604, 619.1, 399; 220/319, 324, 592.16, 592.17; D9/651, D9/517, 434, 424
CPC A47G 19/22; A47G 19/2205; A47G 19/2211; A47G 19/2216; A47G 19/2222; A47G 19/2227; B65D 1/265; B65D 39/04
See application file for complete search history.

(56) **References Cited**

U.S. PATENT DOCUMENTS

- 1,128,190 A * 2/1915 Routery A47G 21/04 30/327
- 1,347,307 A * 7/1920 Thomas A47G 21/02 30/1
- 1,948,932 A * 2/1934 McMickle A47G 19/22 126/380.1

- 2,744,631 A * 5/1956 Toombs A47G 19/2211 210/469
- 2,766,889 A * 10/1956 Rey A47G 19/2211 210/469
- D185,778 S * 7/1959 Sharpe D6/540
- 2,995,265 A * 8/1961 Soderberg A47G 21/04 215/390
- 3,399,780 A * 9/1968 Macaluso, Jr. A47G 19/2211 210/469
- 4,061,782 A * 12/1977 Baxter B65D 1/265 206/217
- D248,910 S * 8/1978 DeFilippo D6/513
- D250,009 S * 10/1978 Karotseris D11/143
- D345,889 S * 4/1994 Herricks D7/392.1
- D349,206 S * 8/1994 Fischer D6/536
- 6,318,587 B1 * 11/2001 Friederich A47G 19/2205 220/262
- D498,974 S * 11/2004 Hsieh D7/387
- D511,646 S * 11/2005 McKinney D7/396.2
- D567,599 S * 4/2008 Kushner D7/651
- D679,530 S * 4/2013 Gilboe D6/540
- D691,426 S * 10/2013 Brown D7/667

(Continued)

Primary Examiner — Marianne Pandozzi
Assistant Examiner — Jae Liang

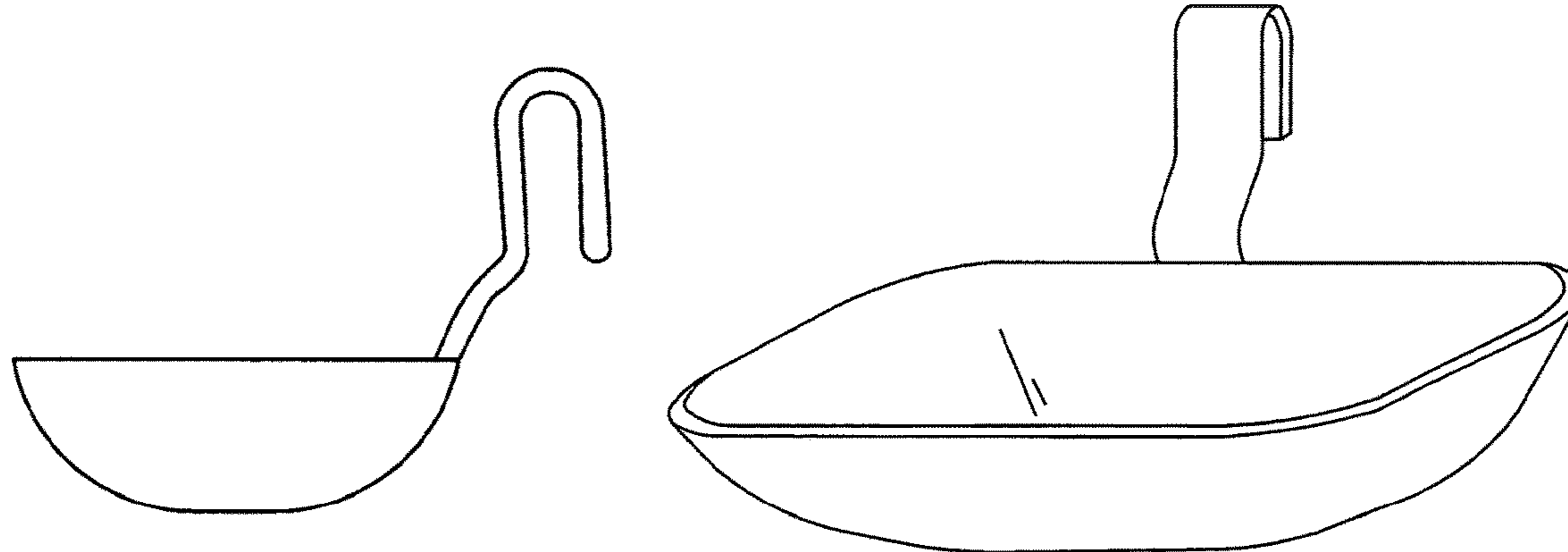
(57) **CLAIM**

The ornamental design for a beverage garnish clip, as shown and described.

DESCRIPTION

FIG. 1 is a top view of a beverage garnish clip showing my new design;
FIG. 2 is a bottom view thereof;
FIG. 3 is a front view thereof;
FIG. 4 is a rear view thereof;
FIG. 5 is a left side view thereof;
FIG. 6 is a right side view thereof; and,
FIG. 7 is an enlarged perspective view thereof.

1 Claim, 4 Drawing Sheets



(56)

References Cited

U.S. PATENT DOCUMENTS

8,763,845 B2 * 7/2014 Kemper Dietrich ... A47G 19/06
220/574
D722,823 S * 2/2015 Del Mar Menendez D7/507
D727,107 S * 4/2015 Parodi, Jr. D7/396.2
D727,111 S * 4/2015 Henry D7/620
D727,112 S * 4/2015 Henry D7/620
D773,885 S * 12/2016 Loshuk D7/387
D777,510 S * 1/2017 Loshuk D7/387
D777,511 S * 1/2017 Williams D20/28
2008/0290089 A1 * 11/2008 Ciarrocchi, Jr. B65D 25/20
220/23.4
2010/0304005 A1 * 12/2010 Beale A47J 43/287
426/665

* cited by examiner

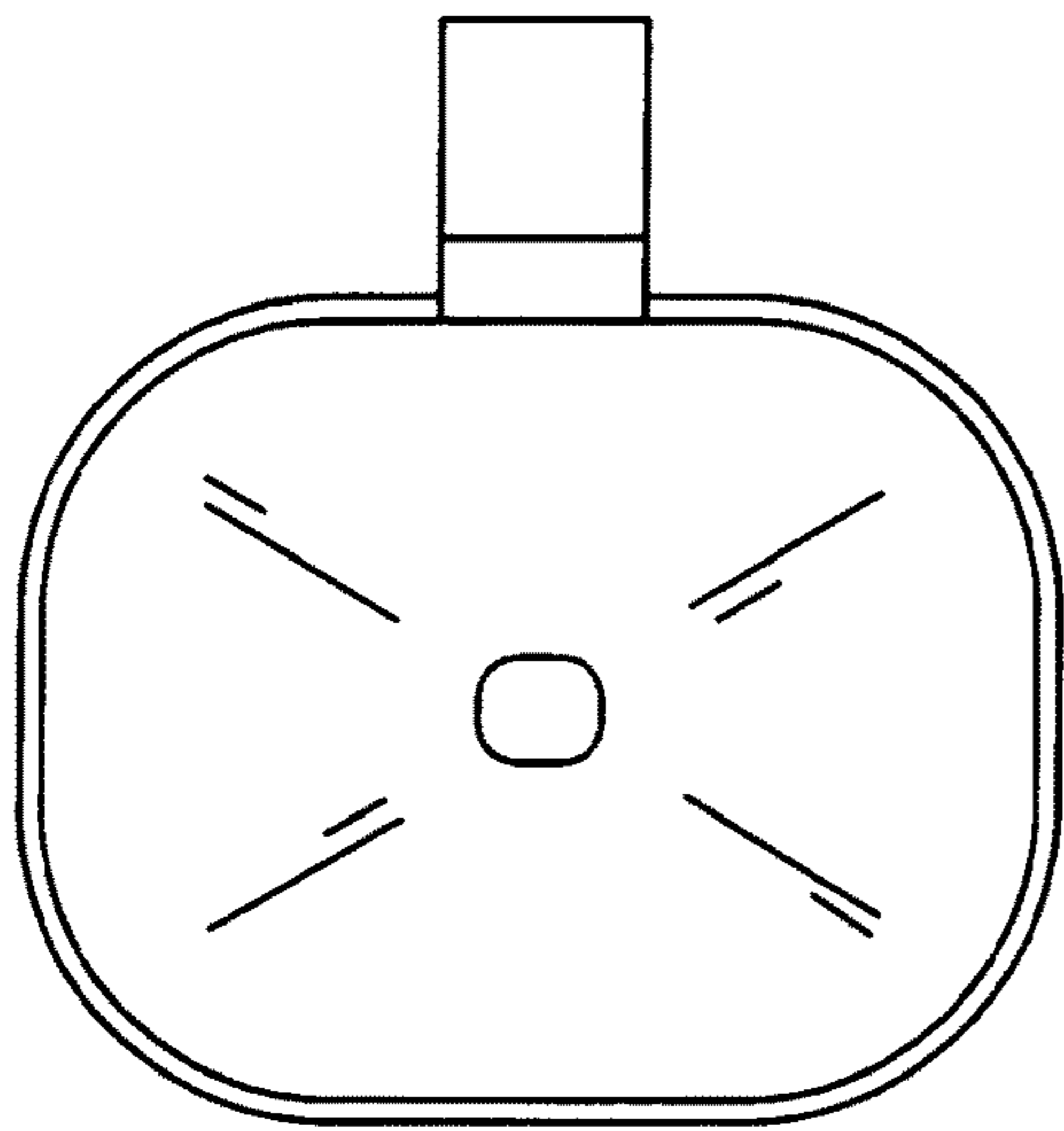


FIG. 1

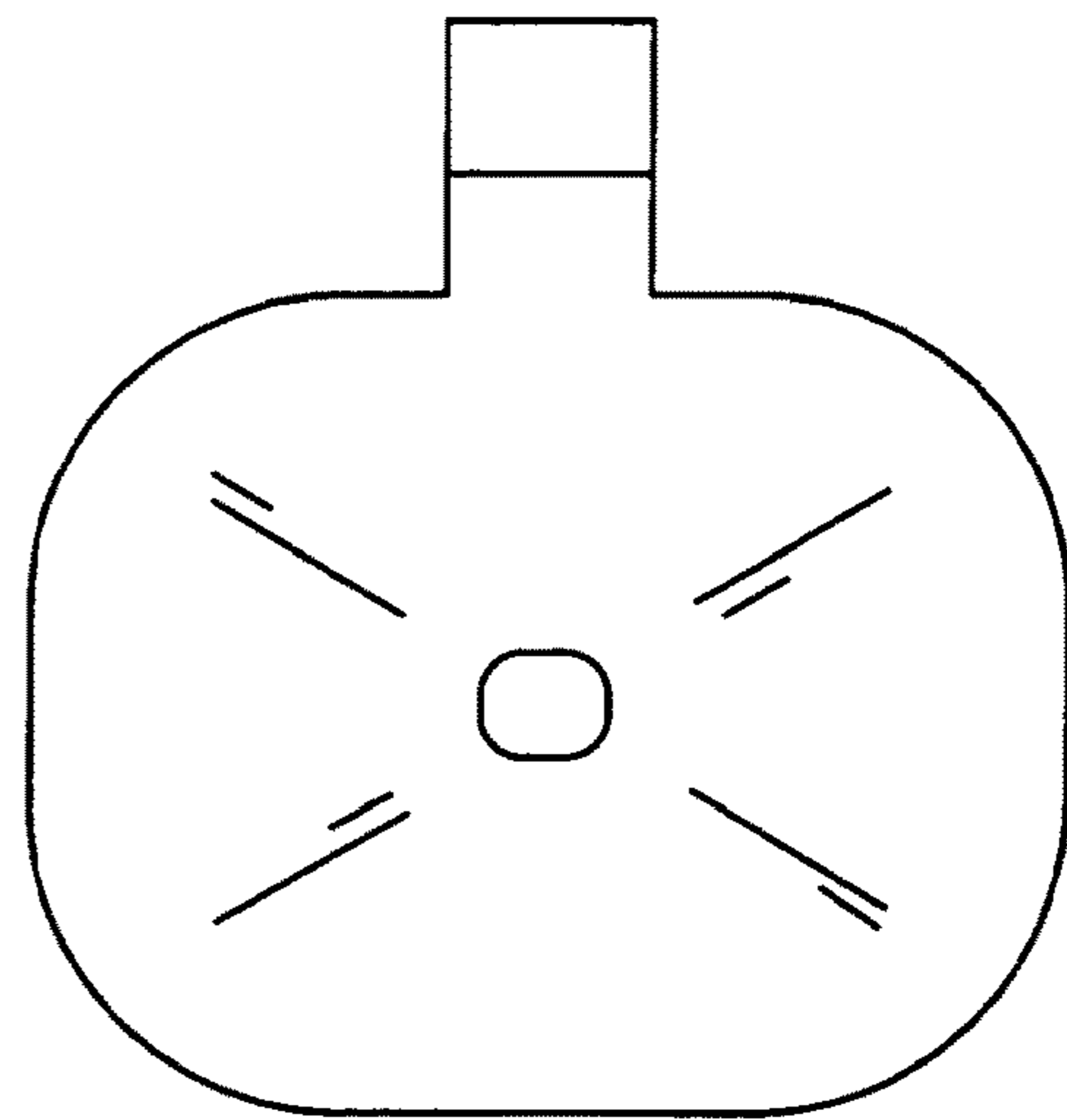


FIG. 2

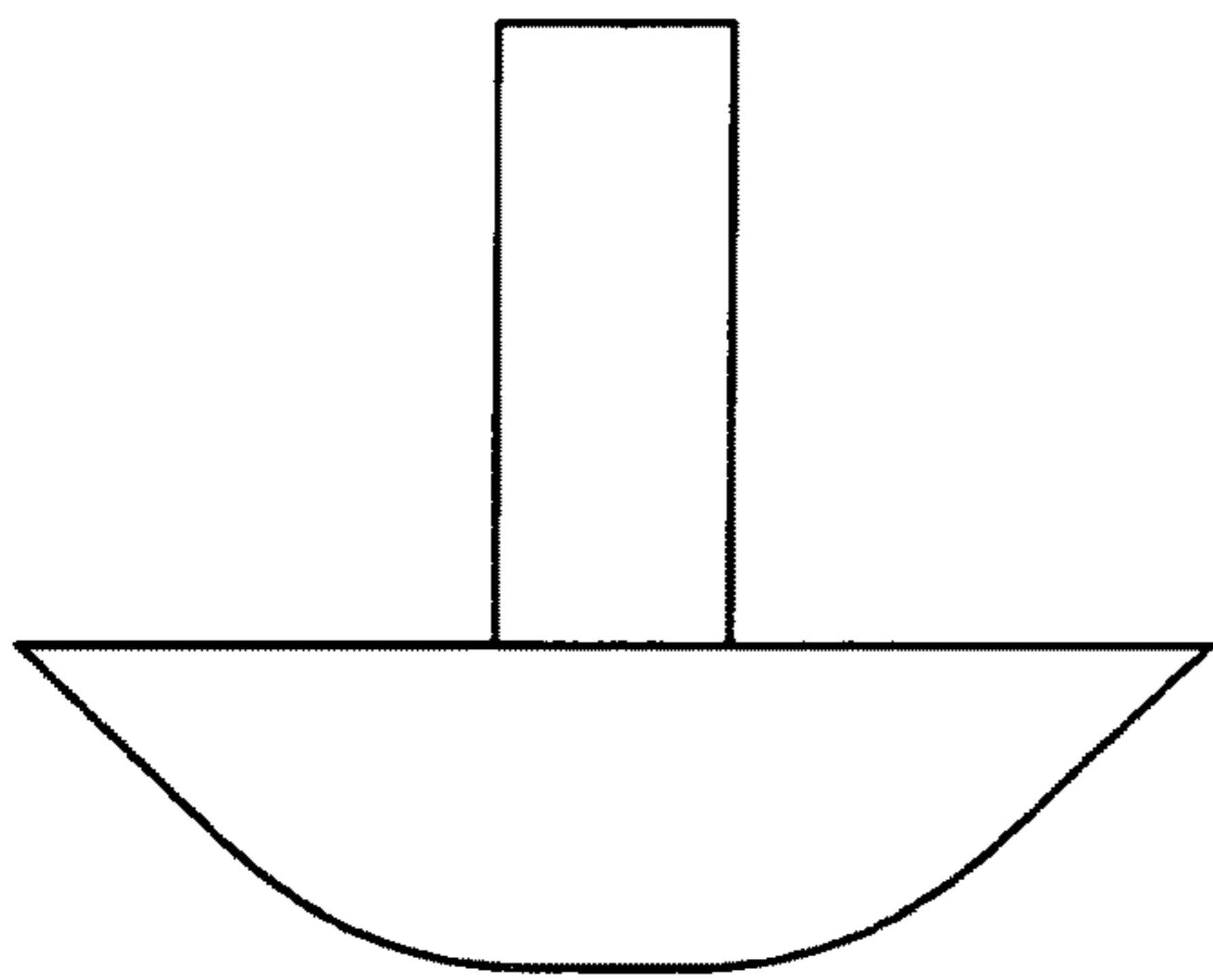


FIG. 3

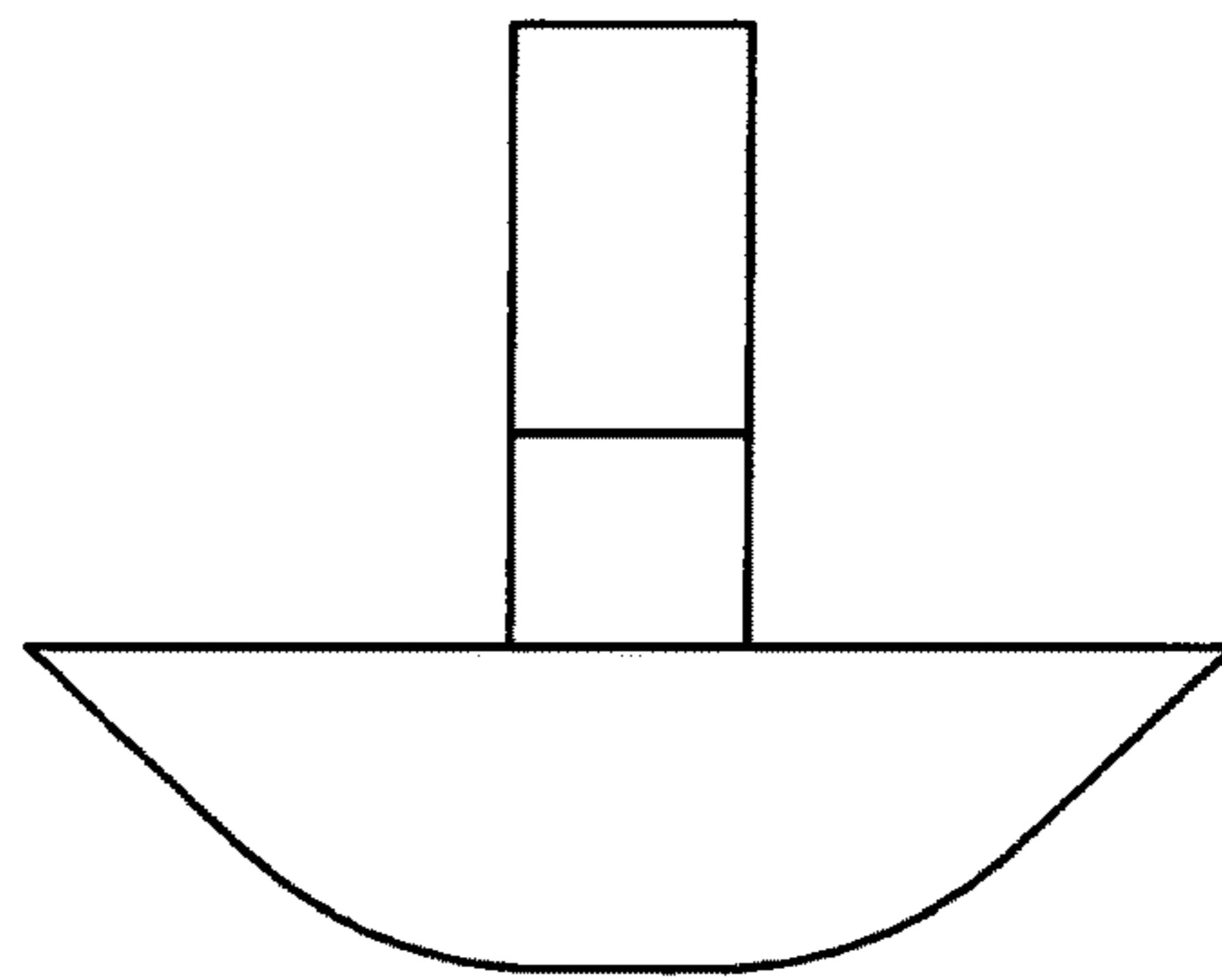


FIG. 4

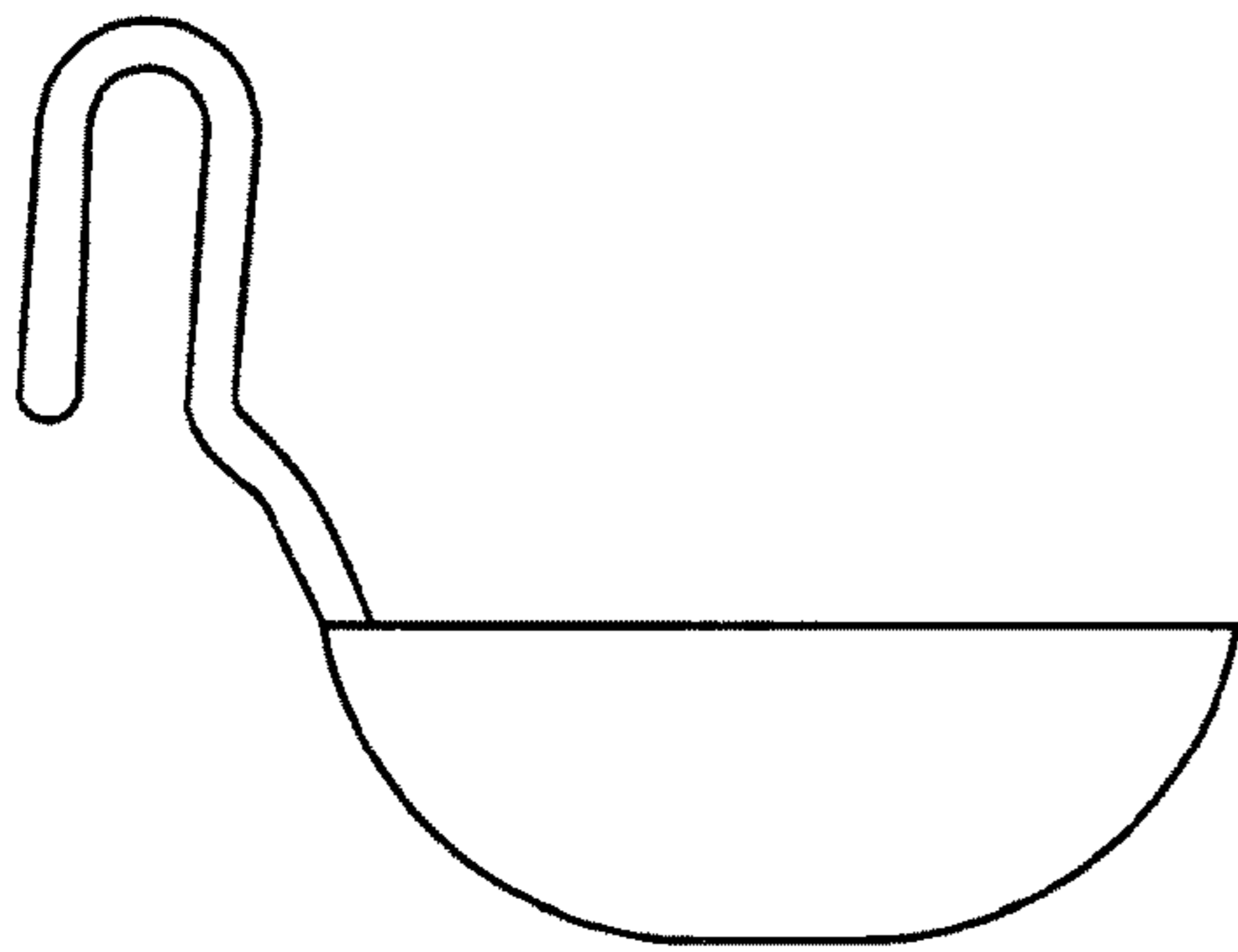


FIG. 5

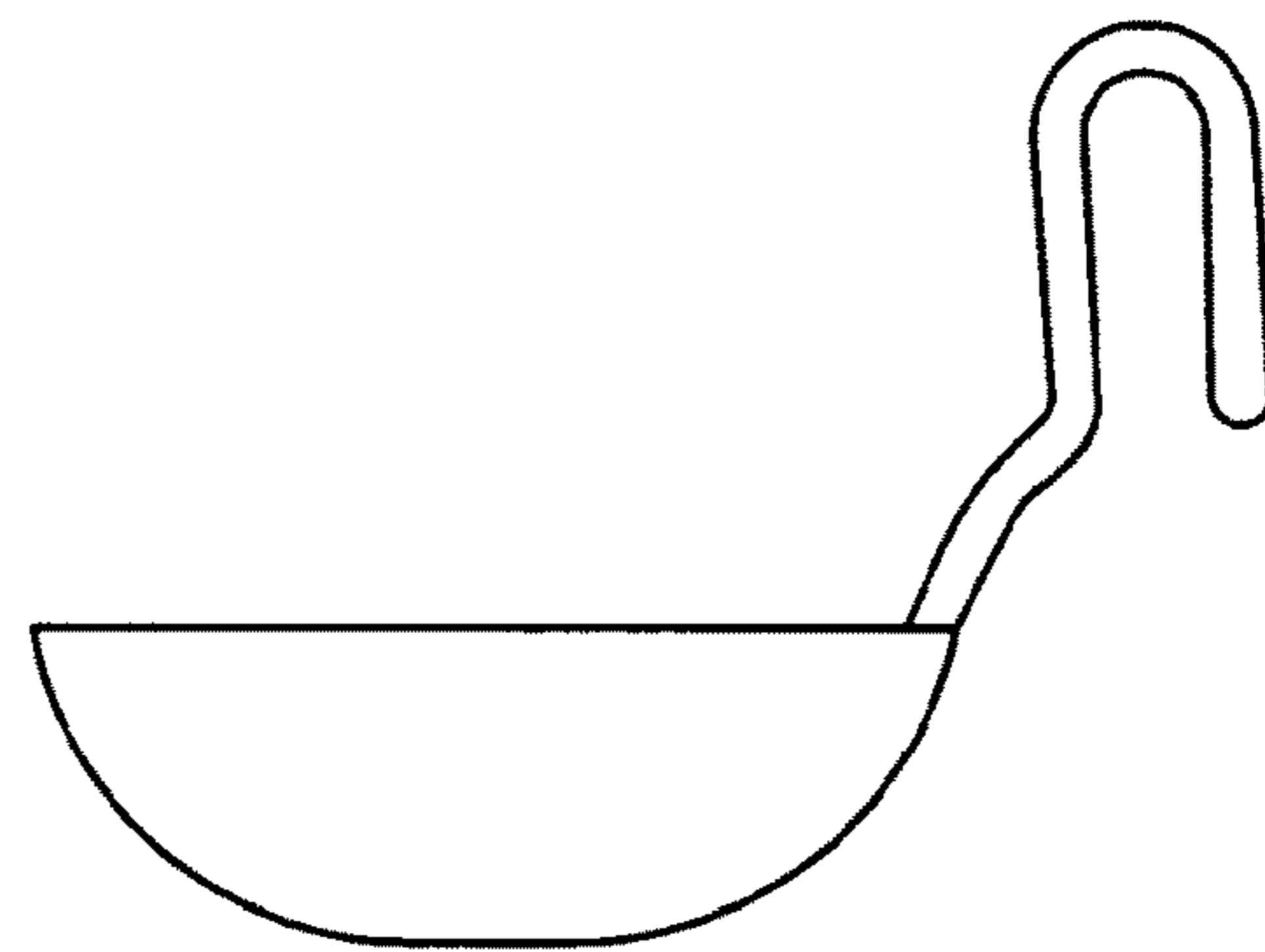


FIG. 6

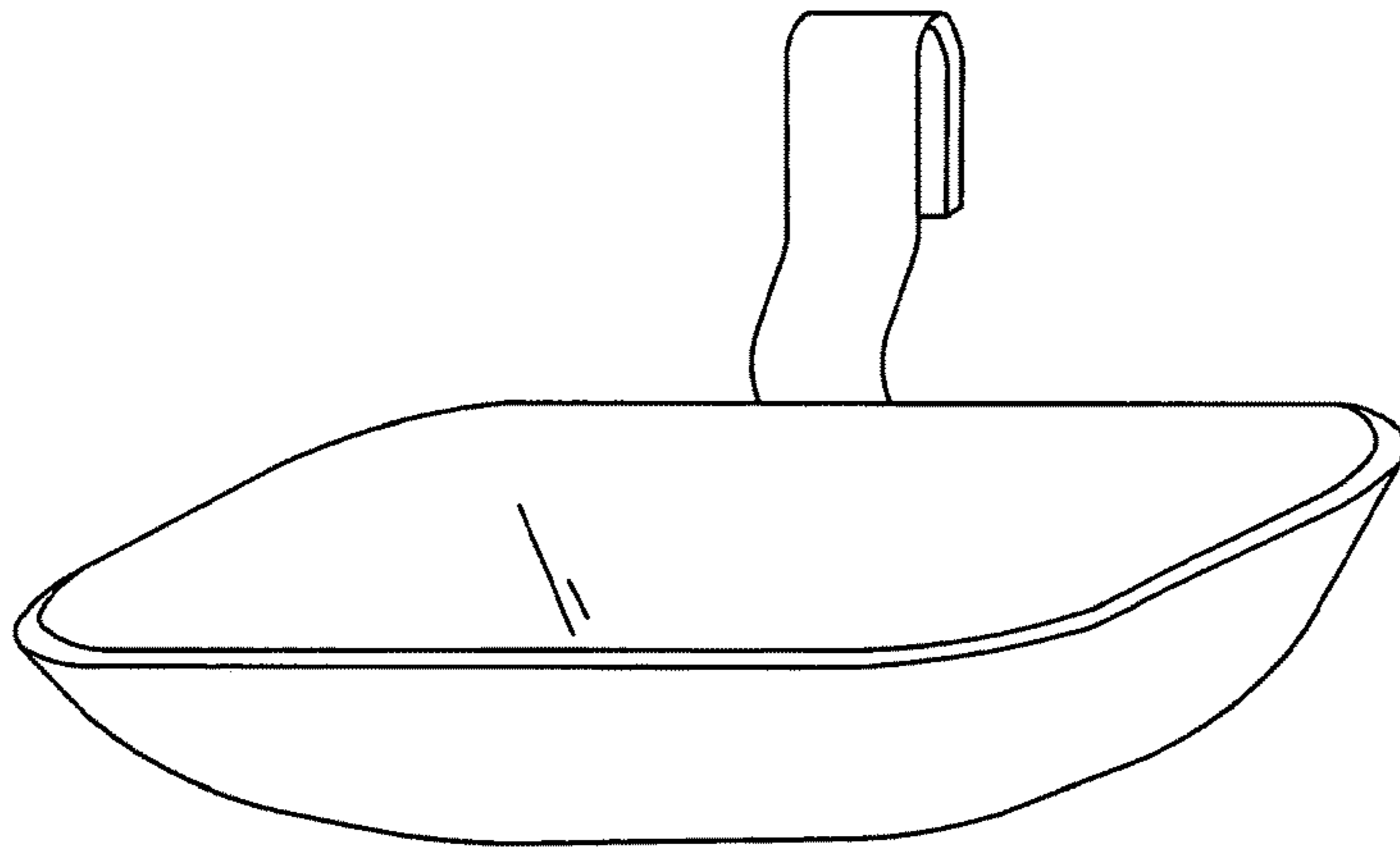


FIG. 7