



US00D804893S

(12) **United States Design Patent** (10) **Patent No.:** **US D804,893 S**  
**De' Longhi et al.** (45) **Date of Patent:** **\*\* Dec. 12, 2017**

(54) **COFFEE GRINDER**

(56) **References Cited**

(71) Applicant: **DE' LONGHI APPLIANCES SRL**  
**CON UNICO SOCIO**, Treviso (IT)

U.S. PATENT DOCUMENTS

(72) Inventors: **Giuseppe De' Longhi**, Treviso (IT);  
**Marco Vaona**, Mestre (IT)

D353,075 S *	12/1994	Littmann	.....	D7/373
D389,010 S *	1/1998	Joergensen	.....	D7/373
D420,248 S *	2/2000	Uemura	.....	D7/373
D437,523 S *	2/2001	Glucksman	.....	D7/373
D500,427 S *	1/2005	Fung	.....	D7/373
D653,905 S *	2/2012	Bodum	.....	D7/373
D673,419 S *	1/2013	De Pra	.....	D7/373
D708,921 S *	7/2014	Hoare	.....	D7/372
D764,863 S *	8/2016	Lee	.....	D7/373

(73) Assignee: **DE' LONGHI APPLIANCES S.R.L.**  
**CON UNICO SOCIO**, Treviso (IT)

(\*\*) Term: **15 Years**

\* cited by examiner

(21) Appl. No.: **29/588,650**

*Primary Examiner* — Ricky Pham

(22) Filed: **Dec. 22, 2016**

(74) *Attorney, Agent, or Firm* — Marshall, Gerstein & Borun LLP

(30) **Foreign Application Priority Data**

Jun. 23, 2016 (EM) ..... 3236066-0001

(57) **CLAIM**

(51) **LOC (10) Cl.** ..... **31-00**

The ornamental design for an coffee grinder, as shown and described.

(52) **U.S. Cl.**  
USPC ..... **D7/373; D7/376; D7/378**

(58) **Field of Classification Search**  
USPC ..... D7/372-373, 376-386, 412-413, 602,  
D7/629, 665-666, 669, 679, 693-694;  
D8/62

**DESCRIPTION**

CPC .... A21C 1/02; A21C 1/04; A23N 1/00; A23N  
1/02; A47J 43/04; A47J 43/25; A47J  
43/27; A47J 43/042; A47J 43/044; A47J  
43/046; A47J 43/075; A47J 43/0722;  
A47J 43/0727; B01F 3/00; B01F 3/0807;  
B01F 3/0853; B01F 13/0059; B01F  
13/0064; B02C 1/08; B02C 2/04; B02C  
4/42; B02C 4/142; B02C 4/143; B02C  
4/423; B02C 13/1835; B28C 5/10; B28C  
5/12; B28C 5/14; B28C 5/16

FIG. 1 is a front, right-side, and top view of a coffee grinder showing the new design.

FIG. 2 is a front elevation view of the coffee grinder.

FIG. 3 is a back elevation view of the coffee grinder.

FIG. 4 is a left-side elevation view of the coffee grinder.

FIG. 5 is a right-side elevation view of the coffee grinder.

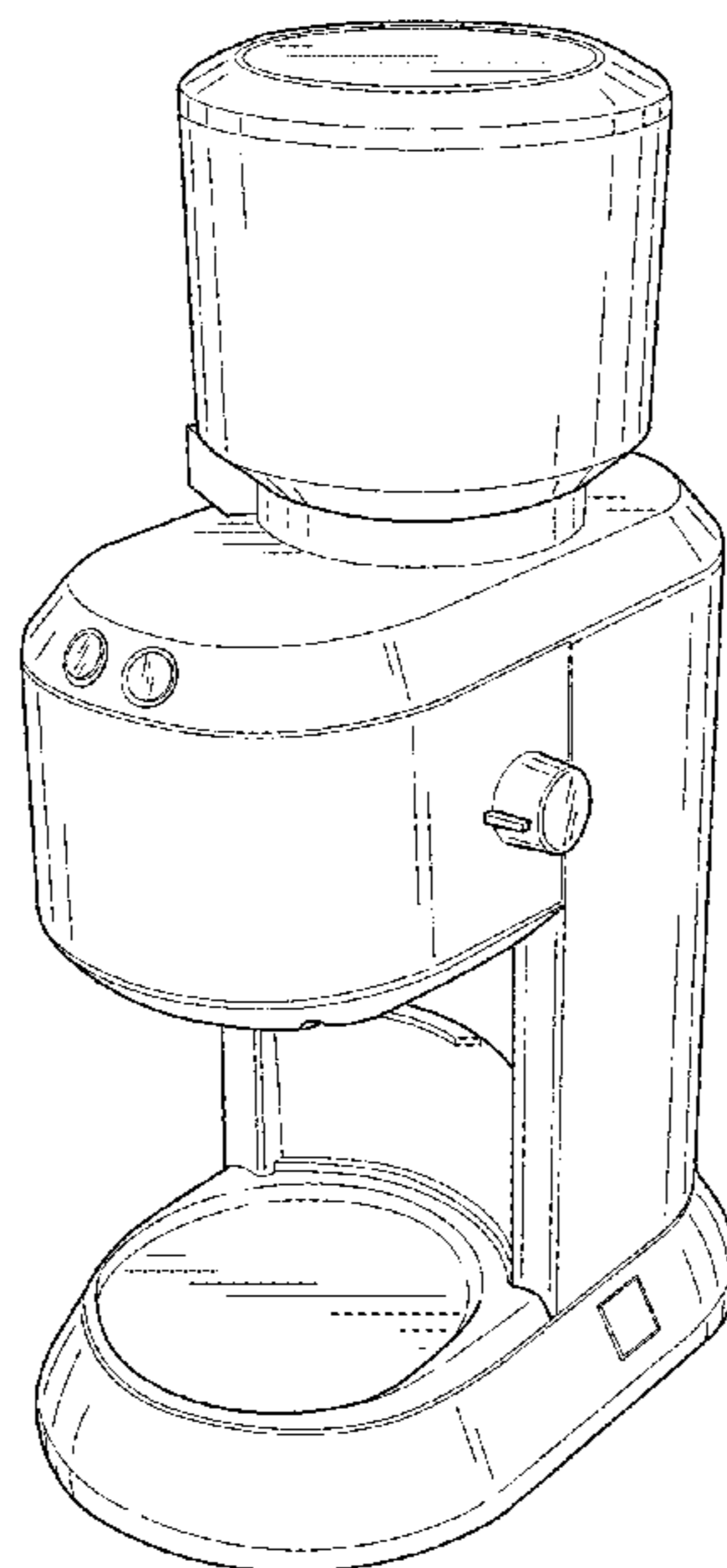
FIG. 6 is a bottom plan view of the coffee grinder; and,

FIG. 7 is a top plan view of the coffee grinder.

Any portions of the coffee grinder that are not clearly disclosed form no part of the claimed design.

See application file for complete search history.

**1 Claim, 7 Drawing Sheets**



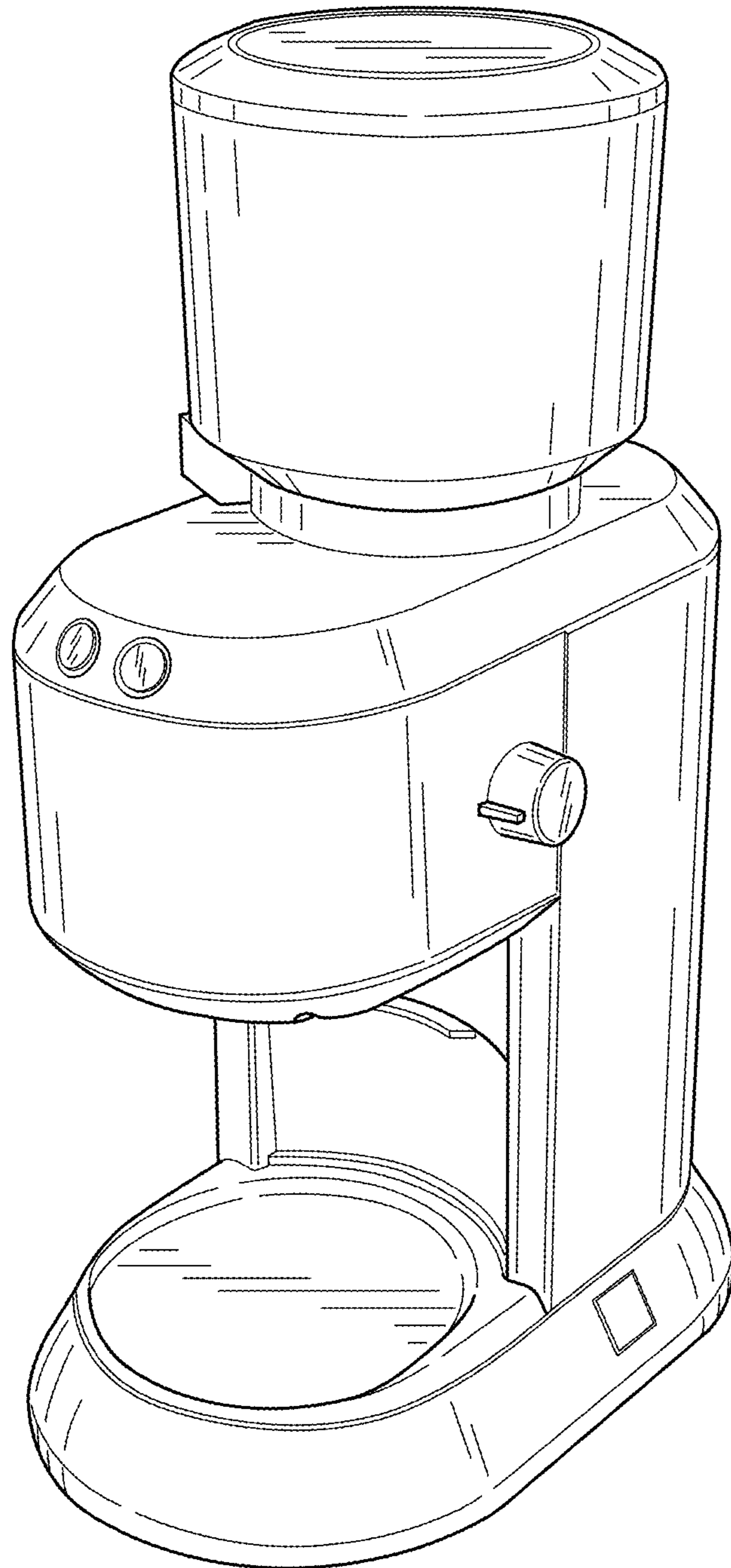


FIG. 1

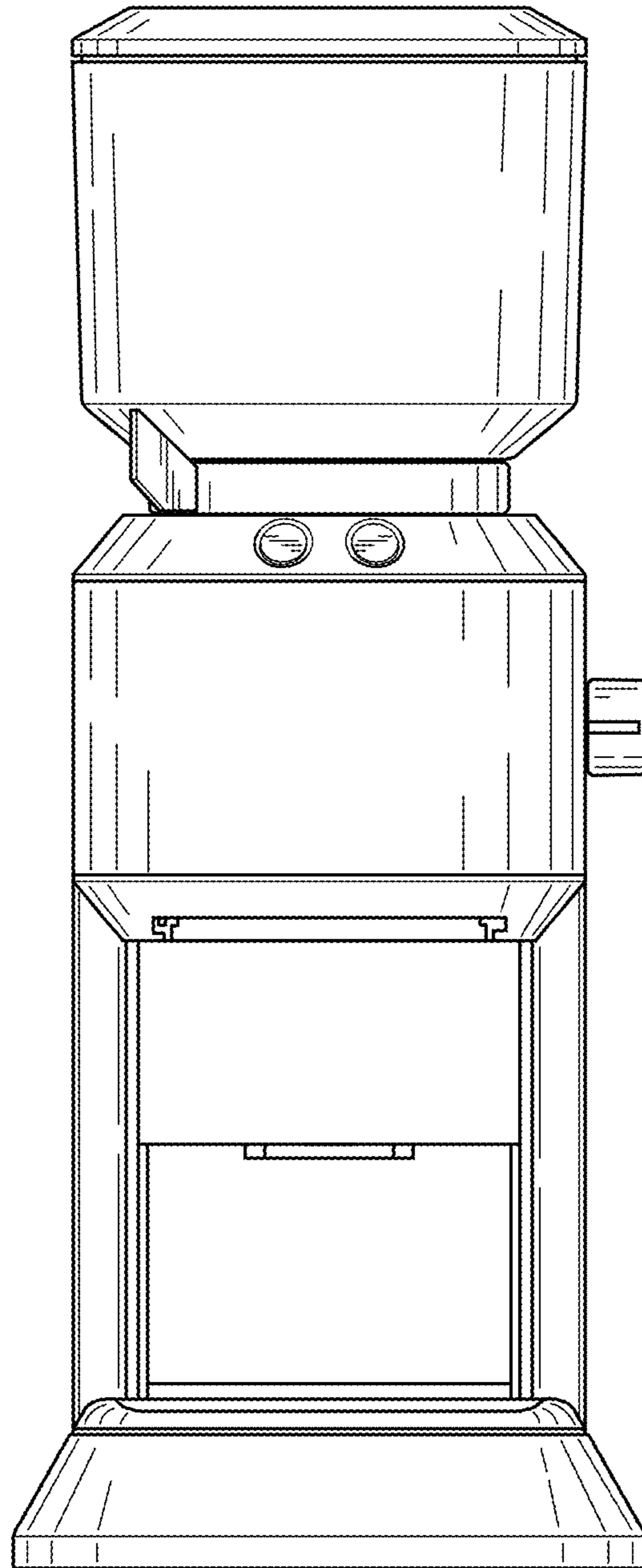


FIG. 2

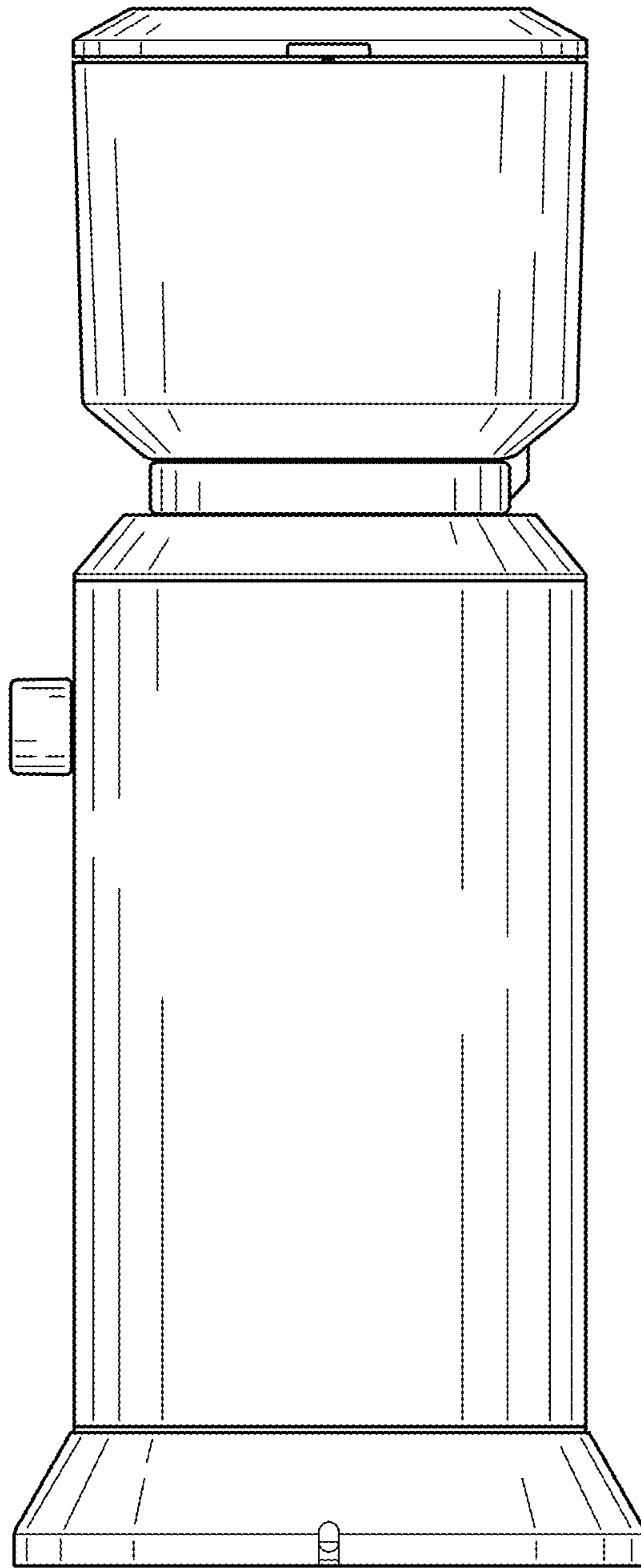


FIG. 3

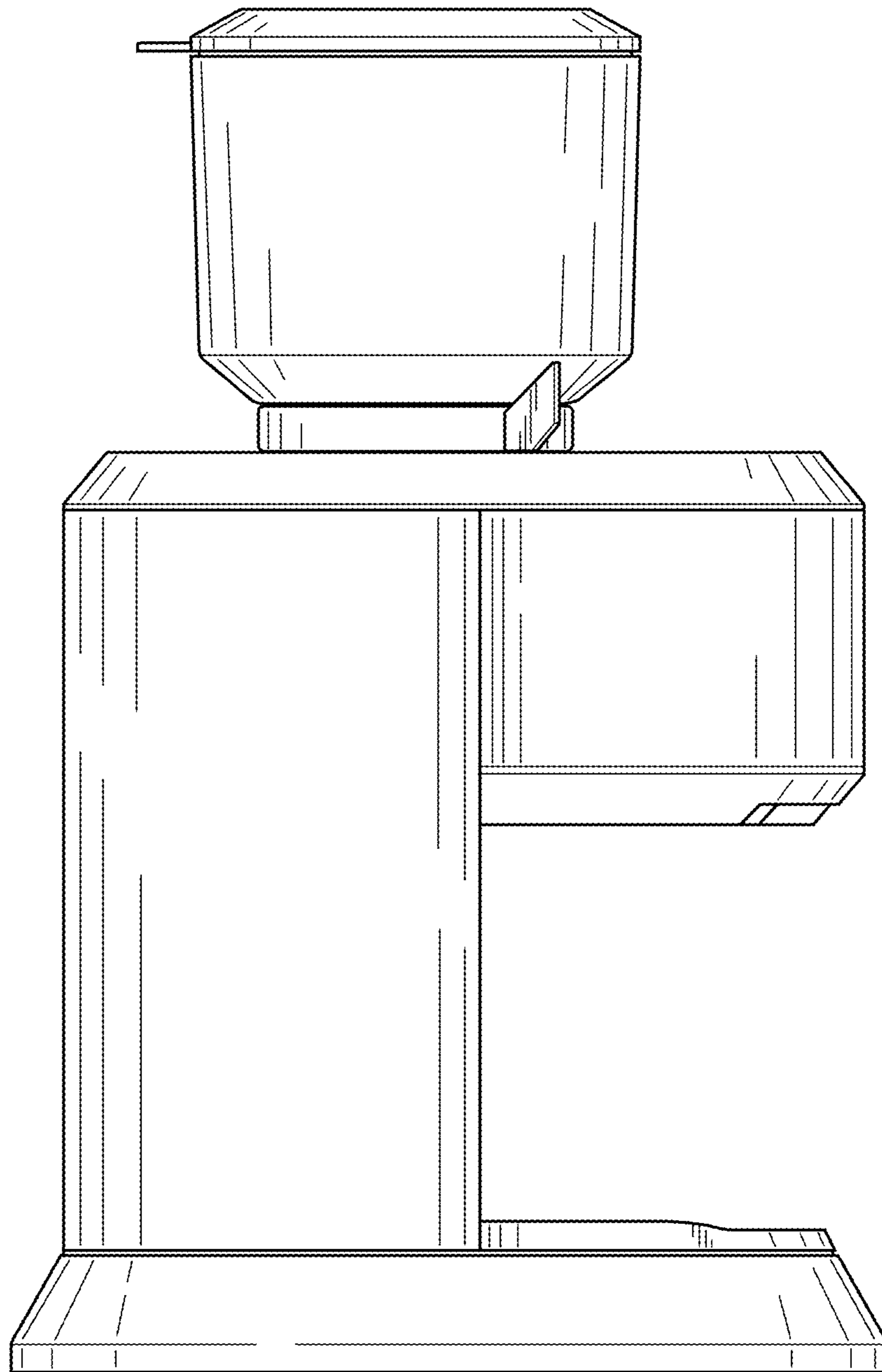


FIG. 4

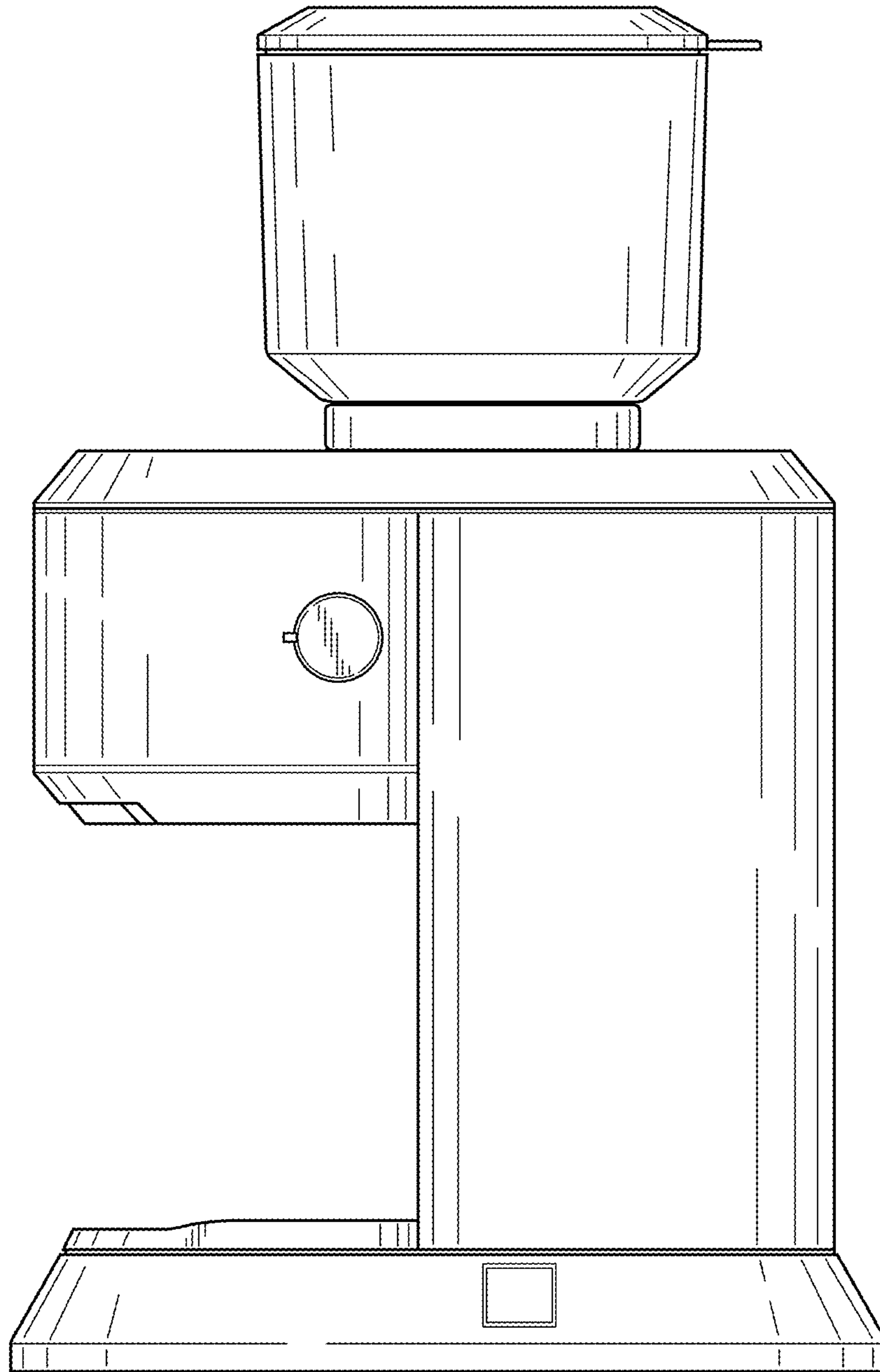


FIG. 5

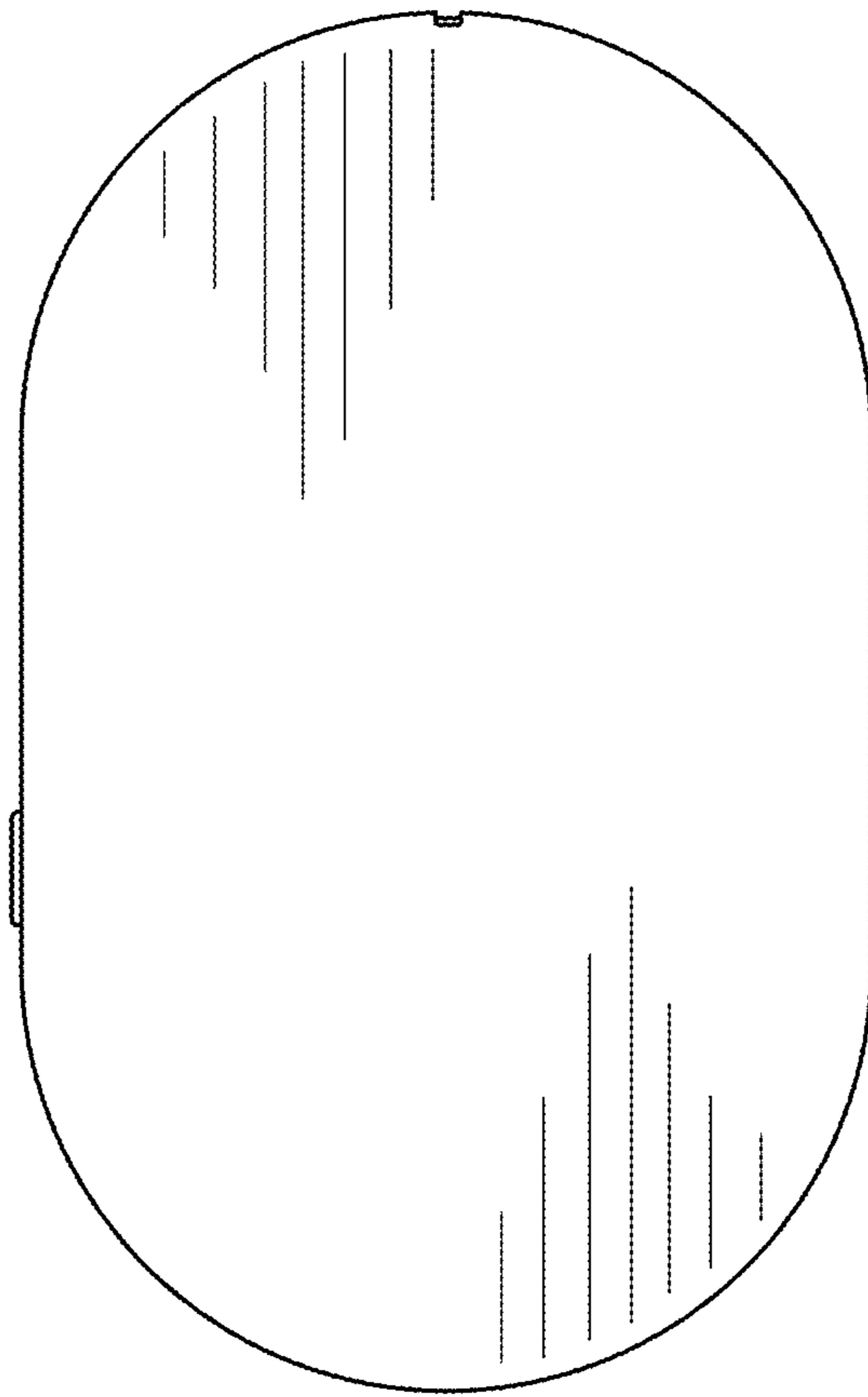


FIG. 6

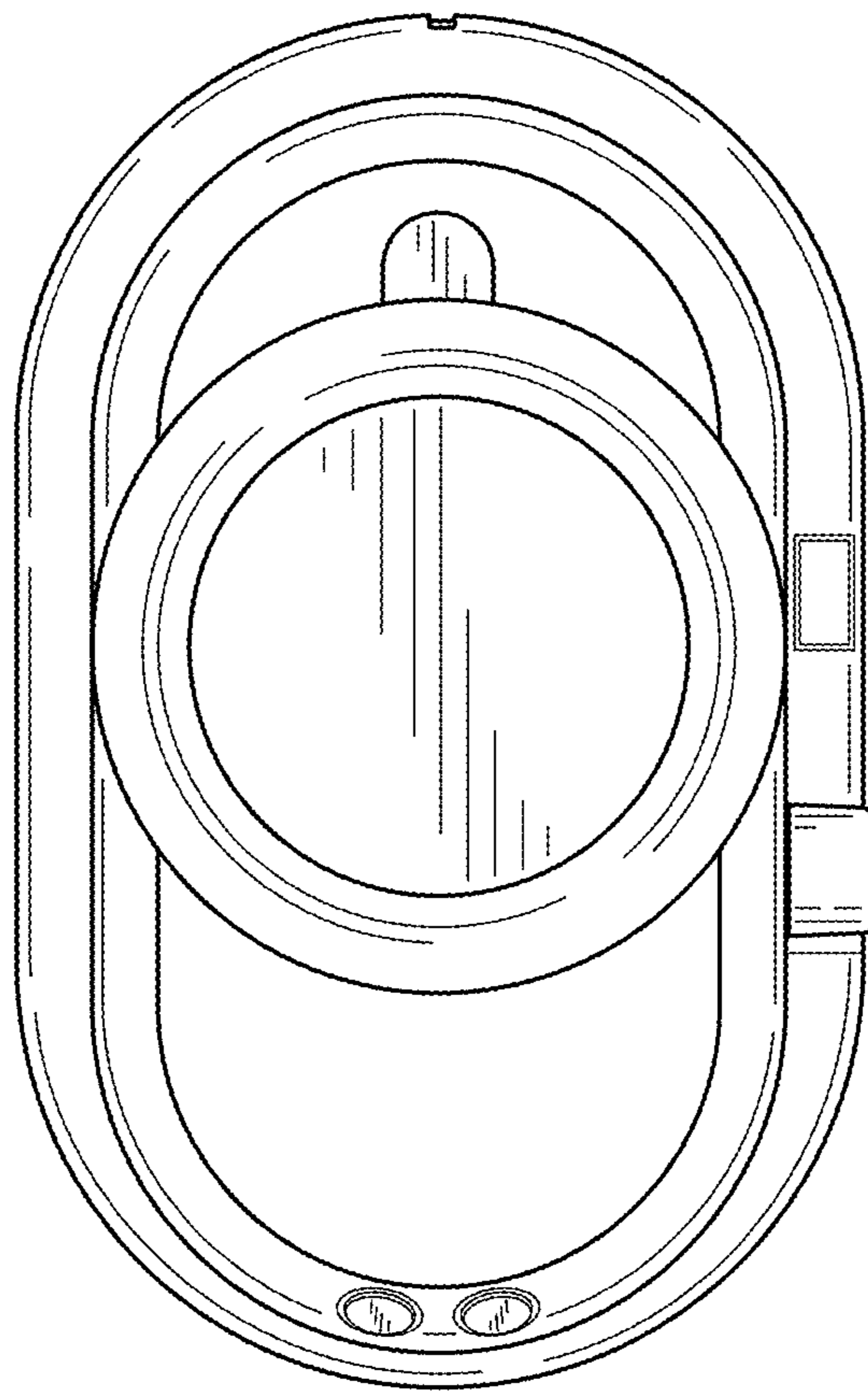


FIG. 7