



US00D804890S

(12) **United States Design Patent** (10) **Patent No.:** **US D804,890 S**  
**Benoit et al.** (45) **Date of Patent:** **\*\* Dec. 12, 2017**

(54) **COOK PROCESSOR BOWL**  
(71) Applicant: **Whirlpool Corporation**, Benton Harbor, MI (US)  
(72) Inventors: **Kaitlyn M. Benoit**, St. Joseph, MI (US); **Alexander L. Clayton**, St. Joseph, MI (US); **Michael I. Hirsh**, Stevensville, MI (US); **John W. McConnell**, St. Joseph, MI (US); **Leif A. Norland**, St. Joseph, MI (US); **Joel Graham Van Faasen**, Holland, MI (US); **Zhaoyi Yin**, Benton Harbor, MI (US)  
(73) Assignee: **Whirlpool Corporation**, Benton Harbor, MI (US)  
(\*\*) Term: **14 Years**  
(21) Appl. No.: **29/501,793**  
(22) Filed: **Sep. 9, 2014**  
(51) **LOC (10) Cl.** ..... **07-02**  
(52) **U.S. Cl.**  
USPC ..... **D7/354; D7/358**  
(58) **Field of Classification Search**  
USPC ..... D7/331-337, 352-358, 359-360, 351, D7/402, 406, 378, 384, 386, 412; D10/15, 40; D32/28  
CPC ..... A47J 27/004; A47J 27/0802; A47J 27/09; A47J 27/08; A47J 27/0804; A47J 37/1266  
See application file for complete search history.

D434,271 S \* 11/2000 Naft ..... D7/384  
D553,424 S \* 10/2007 Lin ..... D7/354  
D642,416 S \* 8/2011 Scott ..... D7/332  
D662,761 S \* 7/2012 Wahl ..... D7/354  
D711,182 S \* 8/2014 Roussard ..... D7/354  
D713,197 S \* 9/2014 Seyers ..... D7/354  
D743,202 S \* 11/2015 Sands ..... D7/354  
2008/0083730 A1 \* 4/2008 Dolgov ..... A47J 27/004 219/432

(Continued)

*Primary Examiner* — Susan Bennett Hattan  
*Assistant Examiner* — Brett Miller  
(74) *Attorney, Agent, or Firm* — Price Heneveld LLP

(57) **CLAIM**

We claim the ornamental design for a cook processor bowl, as shown and described.

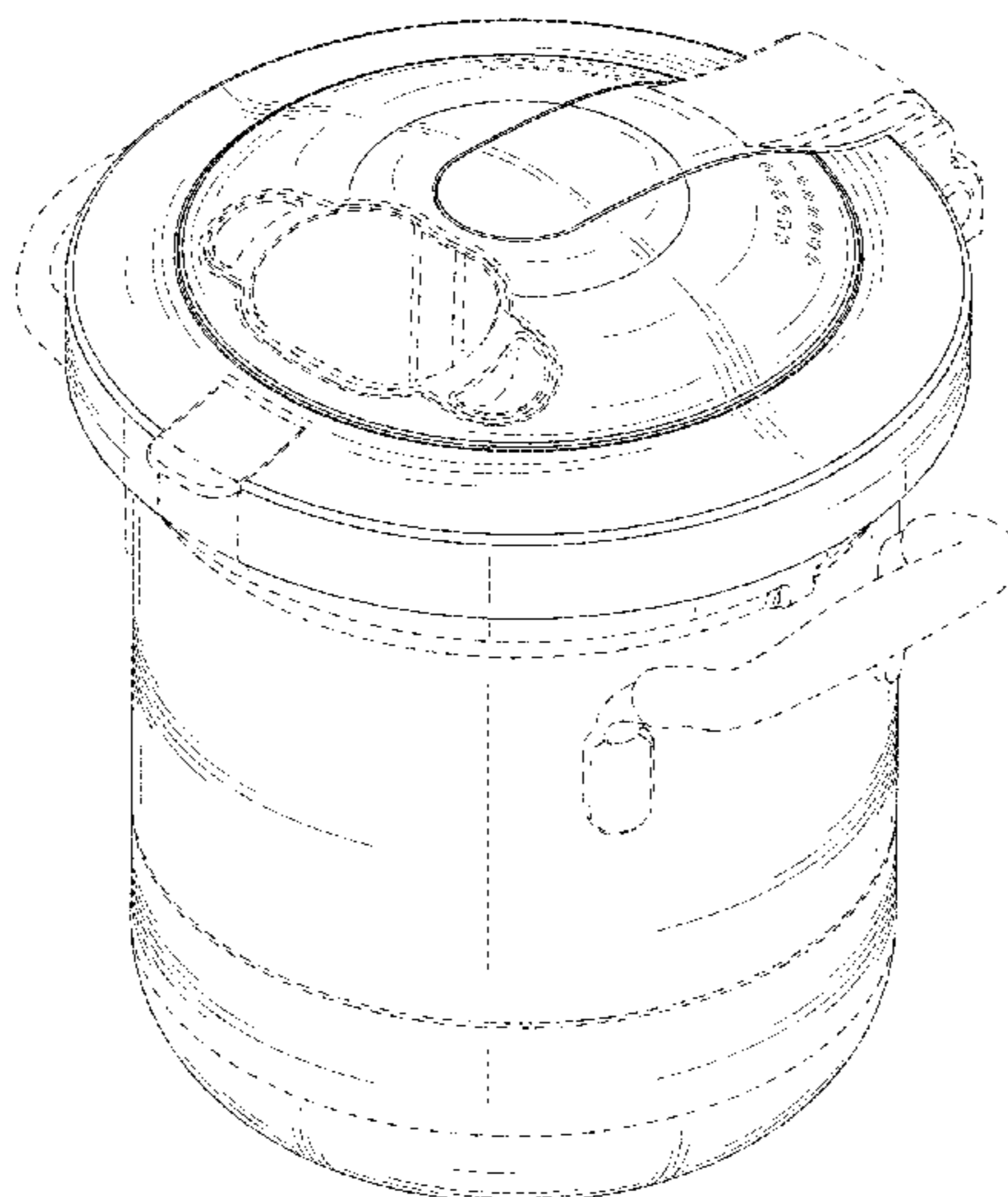
**DESCRIPTION**

FIG. 1 is a front perspective view of a cook processor bowl of the present disclosure;  
FIG. 2 is a rear perspective view of the cook processor bowl of FIG. 1;  
FIG. 3 is a front elevational view of the cook processor bowl of FIG. 1;  
FIG. 4 is a rear elevational view of the cook processor bowl of FIG. 1;  
FIG. 5 is a first side elevational view of the cook processor bowl of FIG. 1;  
FIG. 6 is a second side elevational view of the cook processor bowl of FIG. 1;  
FIG. 7 is a top plan view of the cook processor bowl of FIG. 1;  
FIG. 8 is a bottom plan view of the cook processor bowl of FIG. 1; and,  
FIG. 9 is a bottom perspective view of the cook processor bowl of FIG. 1.

The broken line portions are included to show unclaimed portions of the cook processor bowl only and form no part of the claimed design.

**1 Claim, 9 Drawing Sheets**

(56) **References Cited**  
U.S. PATENT DOCUMENTS  
3,801,331 A \* 4/1974 Sano ..... A47J 37/1209 D7/354  
D300,598 S \* 4/1989 Ueda ..... D7/355  
D338,132 S \* 8/1993 Chang ..... D7/354  
D345,886 S \* 4/1994 Gingele ..... D7/354



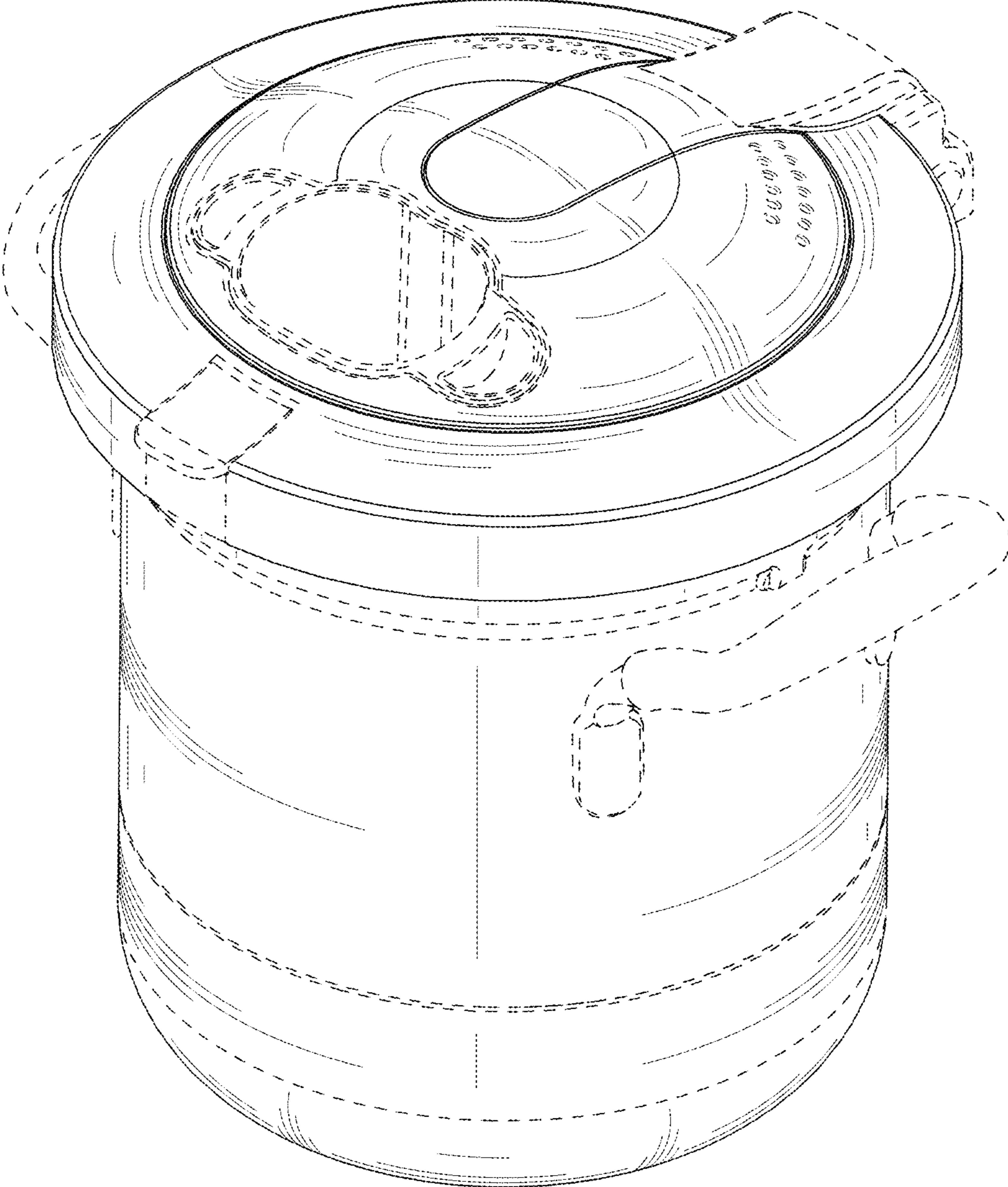
(56)

**References Cited**

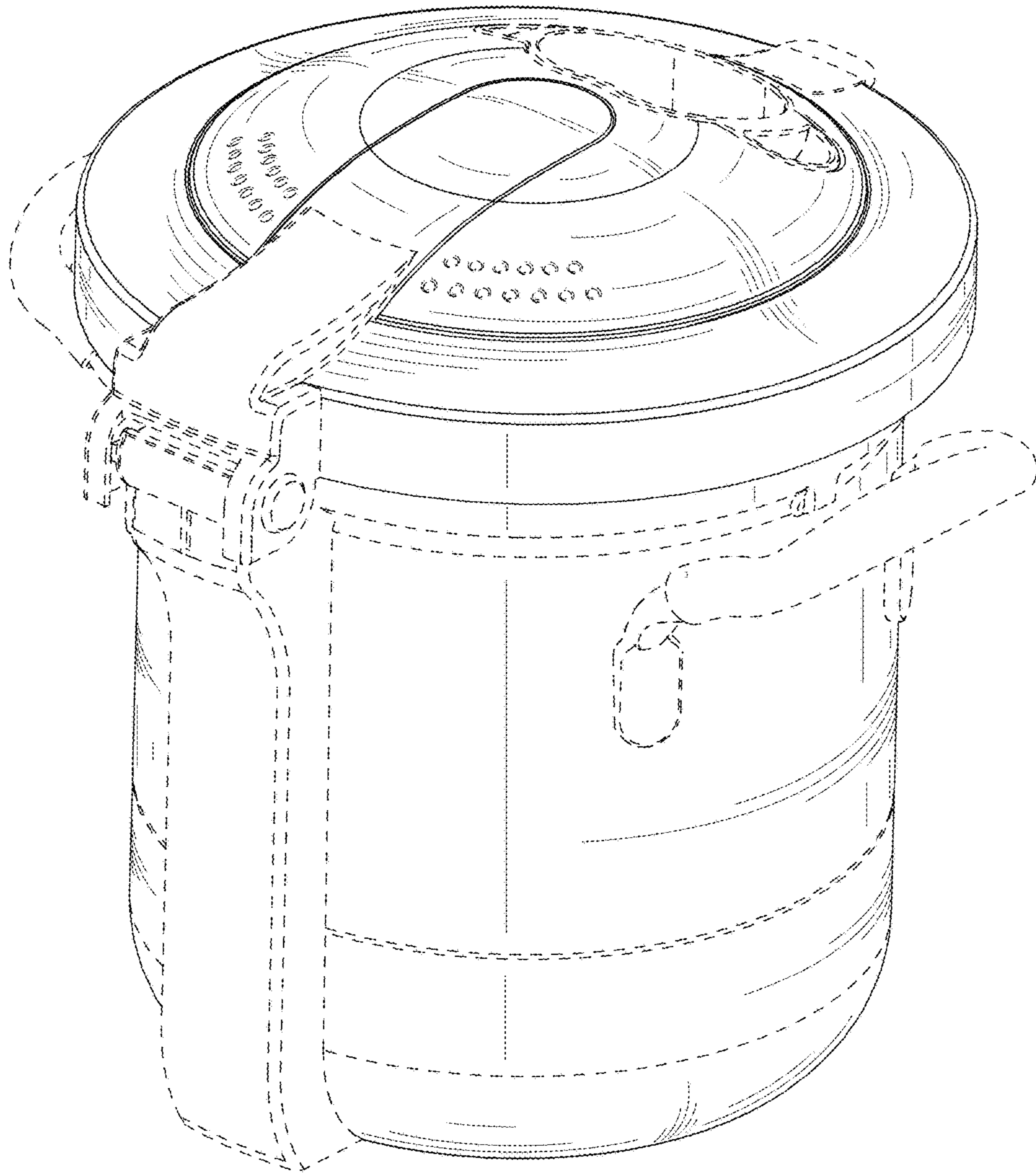
U.S. PATENT DOCUMENTS

2016/0007644 A1\* 1/2016 Hack ..... A47J 27/0802  
99/333

\* cited by examiner

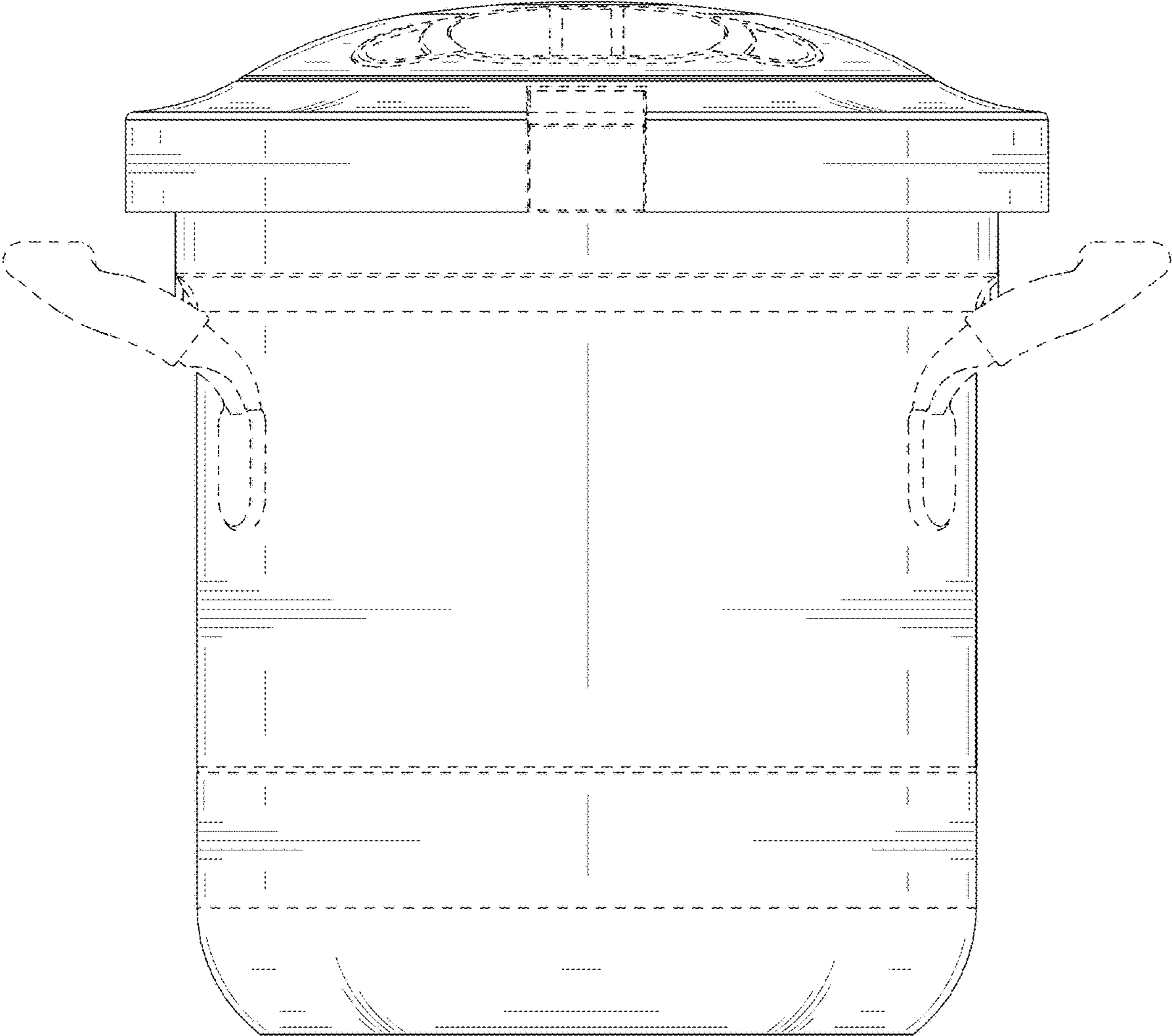


**FIG. 1**



**FIG. 2**





**FIG. 3**

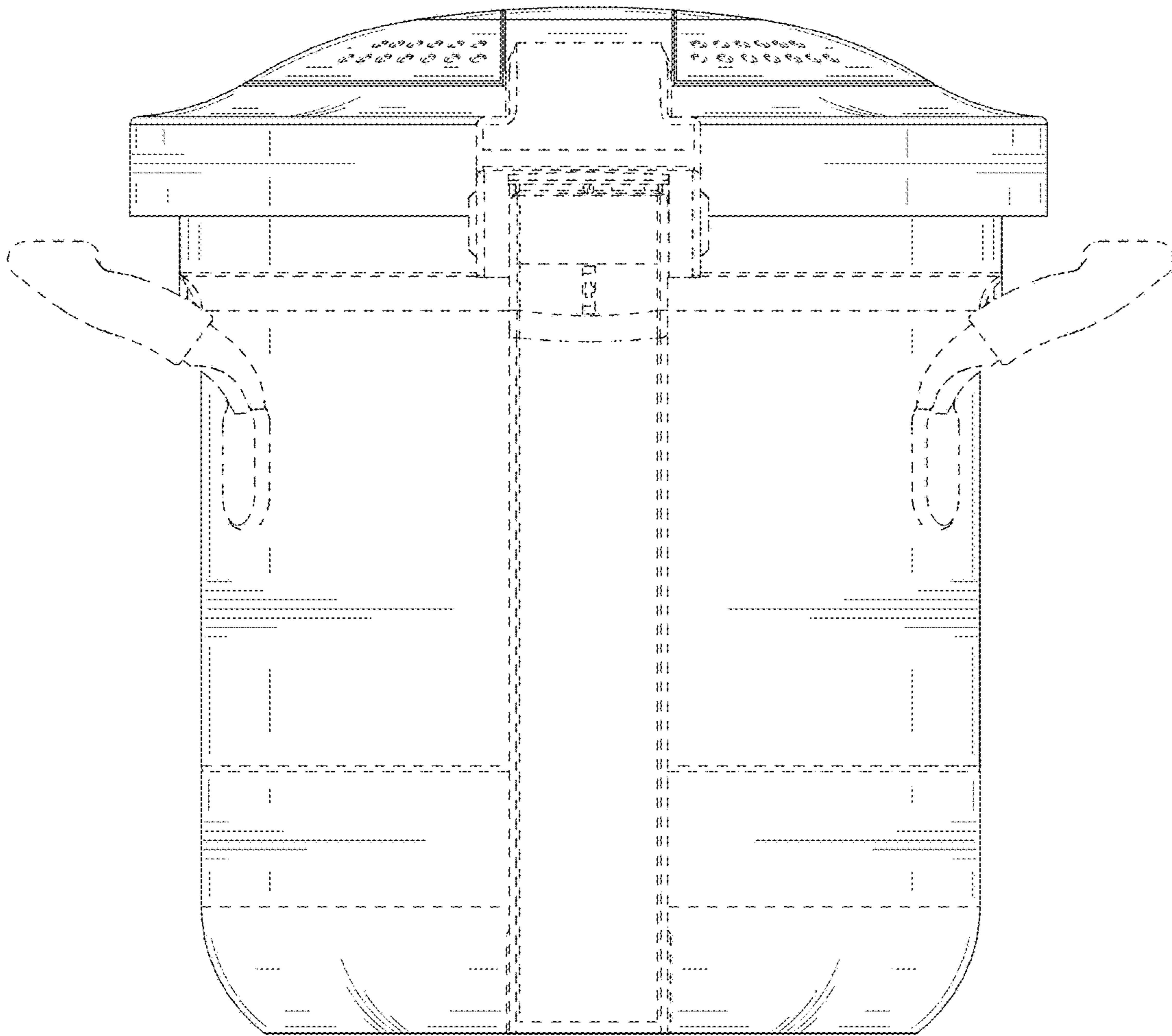


FIG. 4

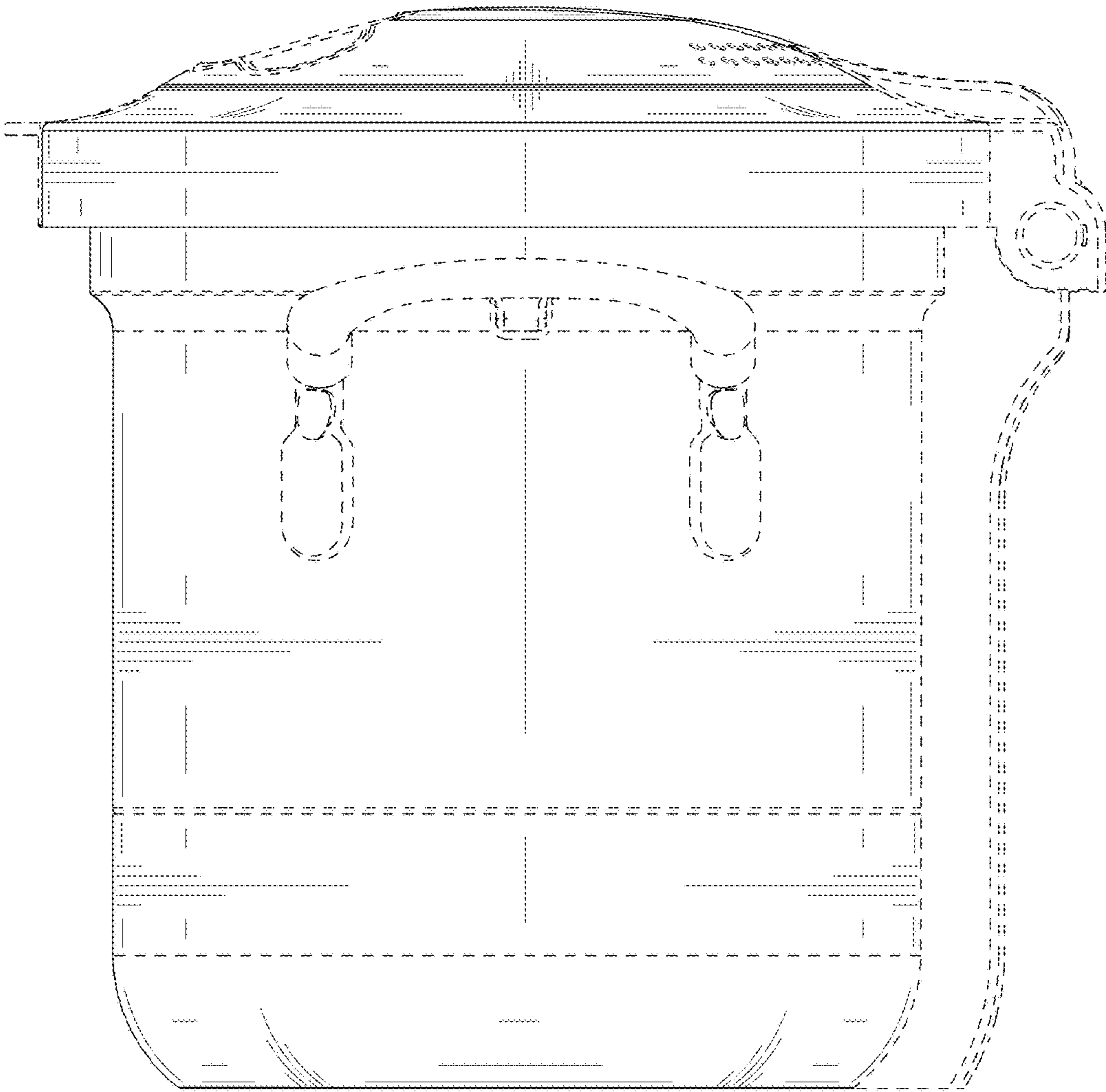
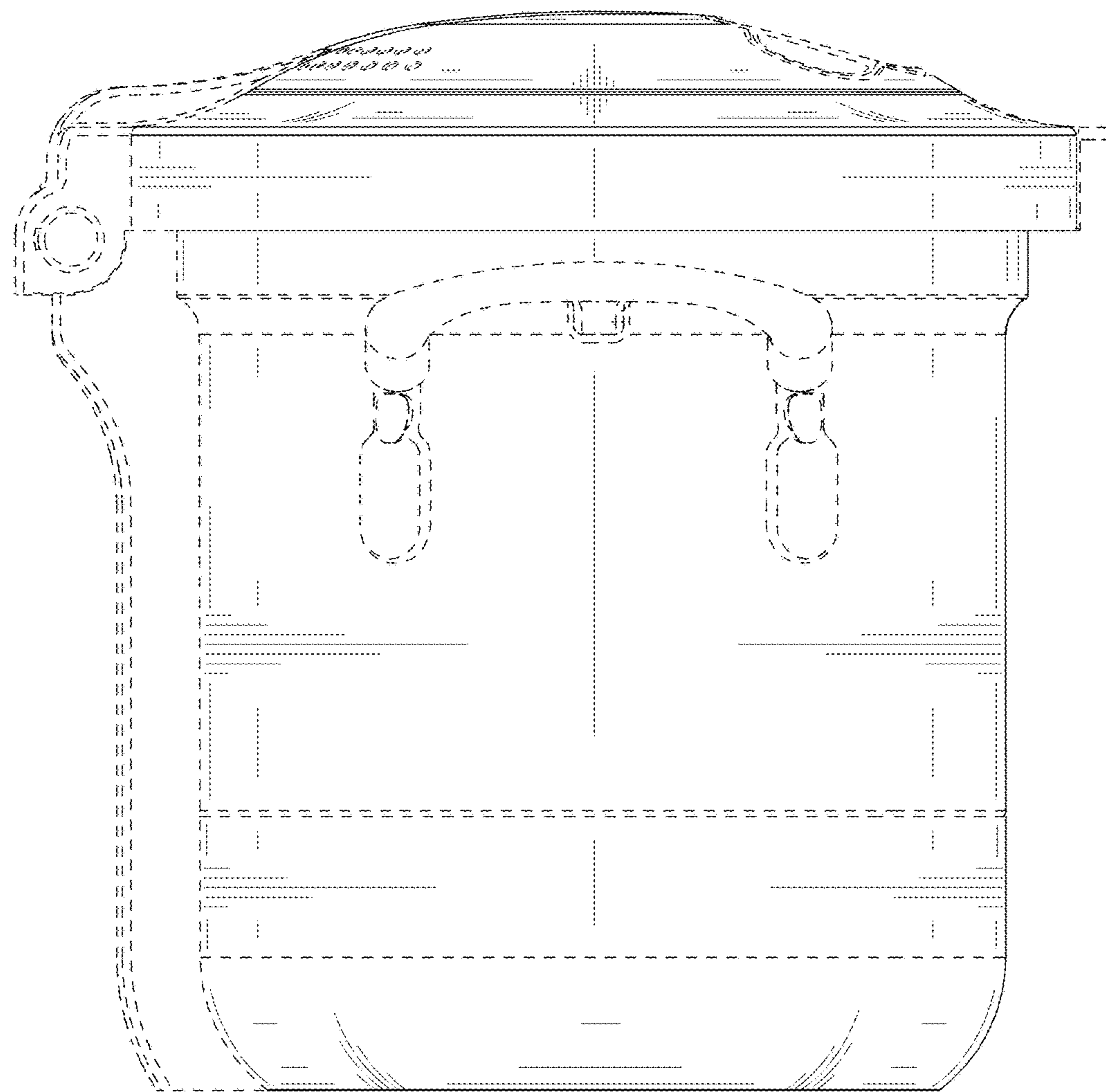


FIG. 5



**FIG. 6**



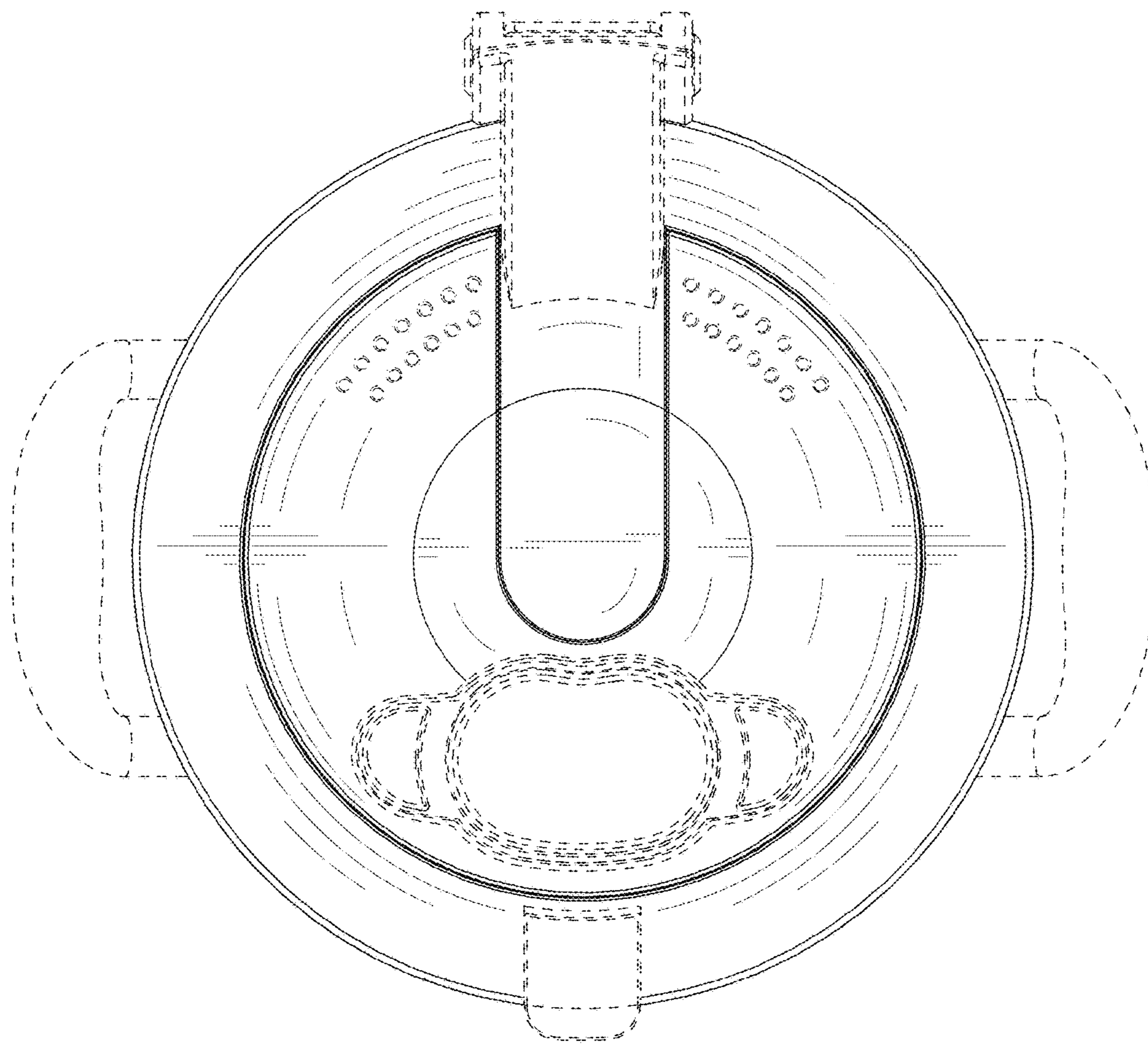


FIG. 7

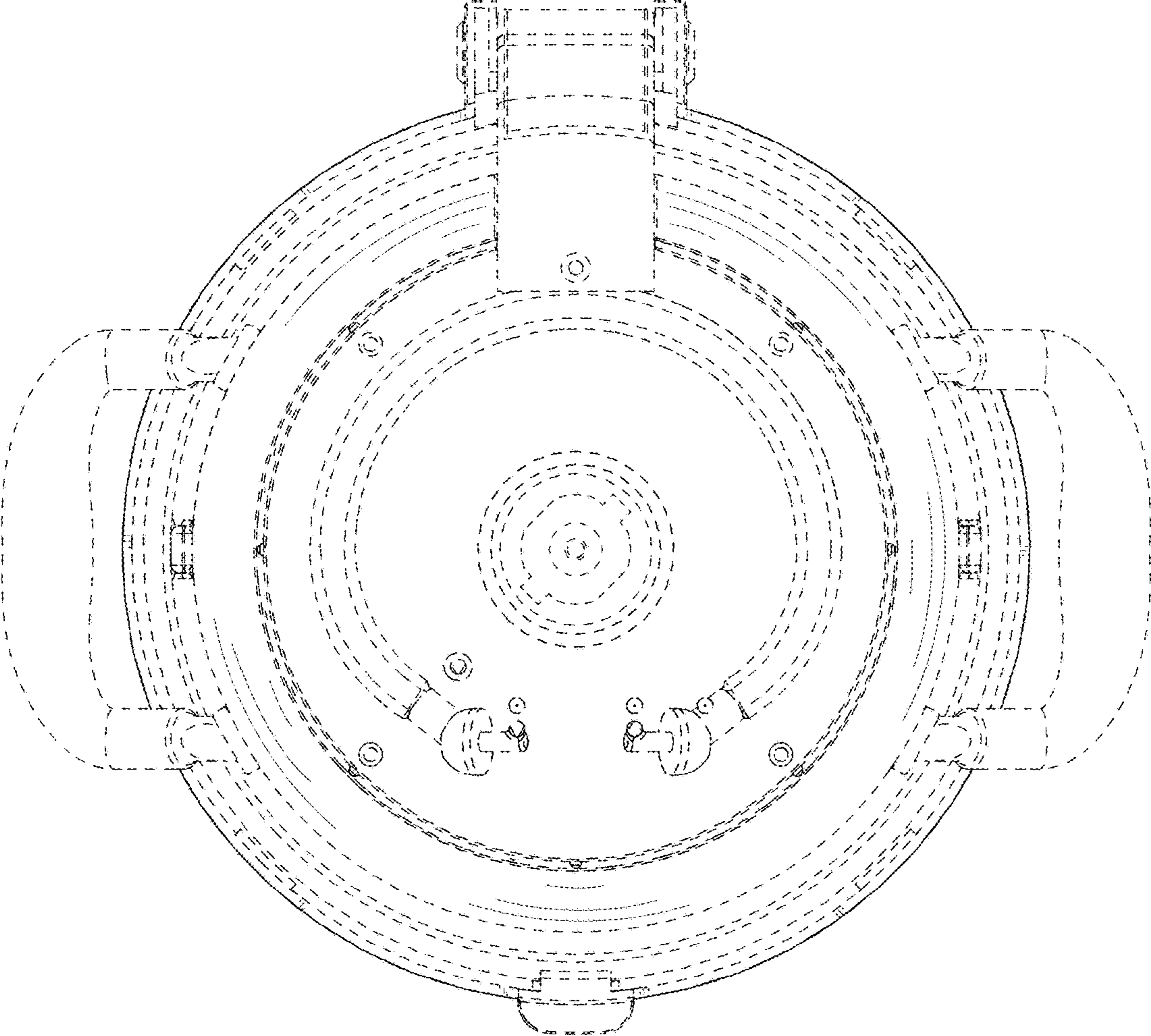
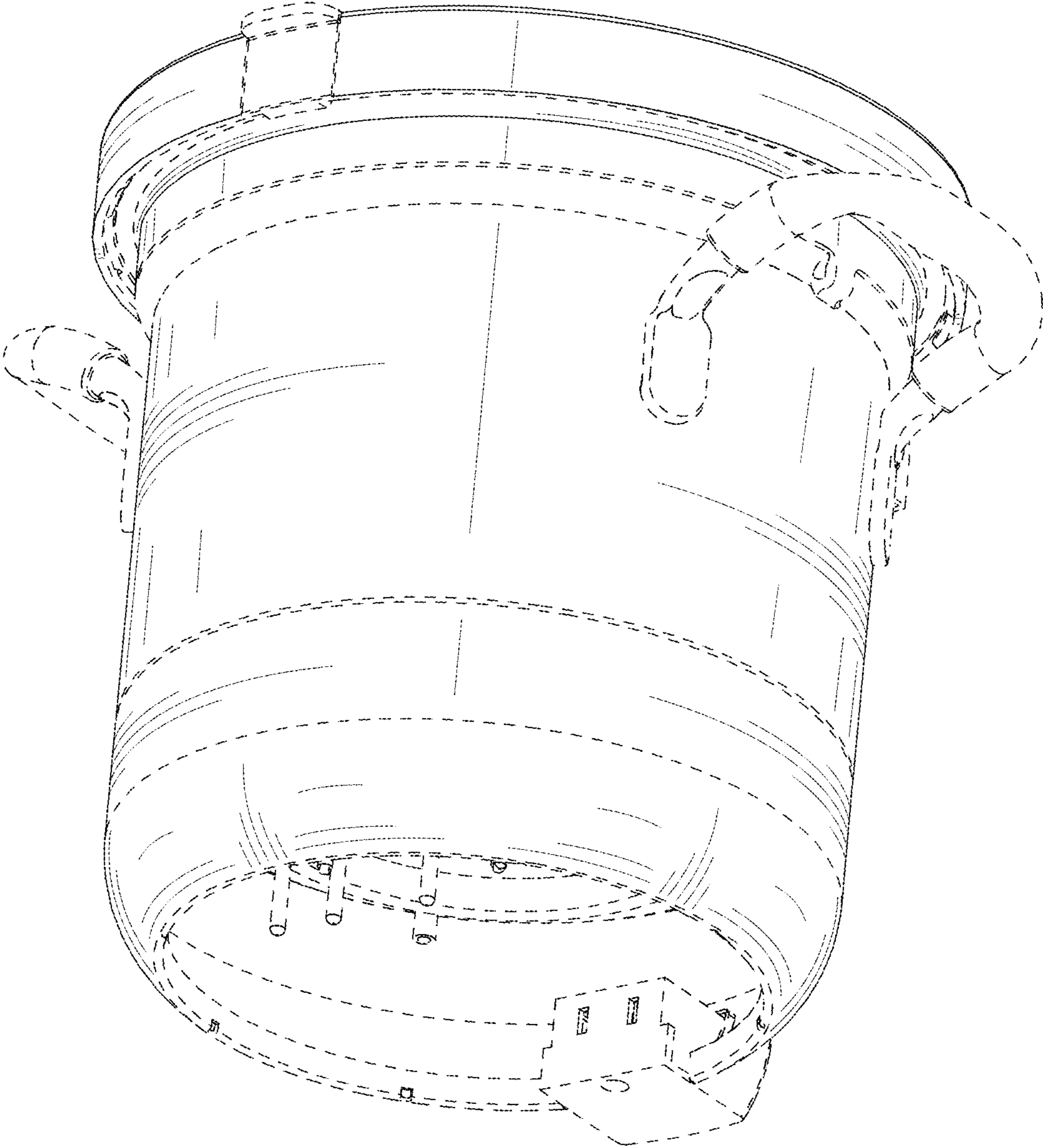


FIG. 8



**FIG. 9**