



US00D804888S

(12) **United States Design Patent** (10) **Patent No.:** **US D804,888 S**  
**Won** (45) **Date of Patent:** **\*\* Dec. 12, 2017**

(54) **PORTABLE GAS STOVE**  
(71) Applicant: **OJC CO., LTD.**, Seoul (KR)  
(72) Inventor: **Se Kyung Won**, Incheon (KR)  
(73) Assignee: **OJC Co., Ltd.**, Seoul (KR)  
(\*\*) Term: **15 Years**

(21) Appl. No.: **35/500,718**  
(22) Filed: **Sep. 14, 2015**

(80) **Hague Agreement Data**  
Int. Filing Date: **Sep. 14, 2015**  
Int. Reg. No.: **DM/087992**  
Int. Reg. Date: **Sep. 14, 2015**  
Int. Reg. Pub. Date: **Mar. 18, 2016**

(51) **LOC (10) Cl.** ..... **07-02**  
(52) **U.S. Cl.**  
USPC ..... **D7/332**

(58) **Field of Classification Search**  
USPC ..... D7/402-404, 407-409, 332-337,  
D7/362-367; D23/386, 415-419  
CPC .... A47J 37/0713; A47J 37/041; A47J 37/042;  
A47J 37/043; F23D 14/10; F23D 14/045;  
F23D 2203/1012; F23D 2900/00017;  
F24C 3/14; F24C 1/16; F24C 5/20  
See application file for complete search history.

(56) **References Cited**  
U.S. PATENT DOCUMENTS  
18,297 A \* 9/1857 Pierce ..... A47J 37/0713  
126/273 R  
D196,553 S \* 10/1963 Mayer ..... 99/421 R  
4,081,238 A \* 3/1978 Briggs ..... F24C 5/20  
137/544  
D255,863 S \* 7/1980 Futch ..... D12/102

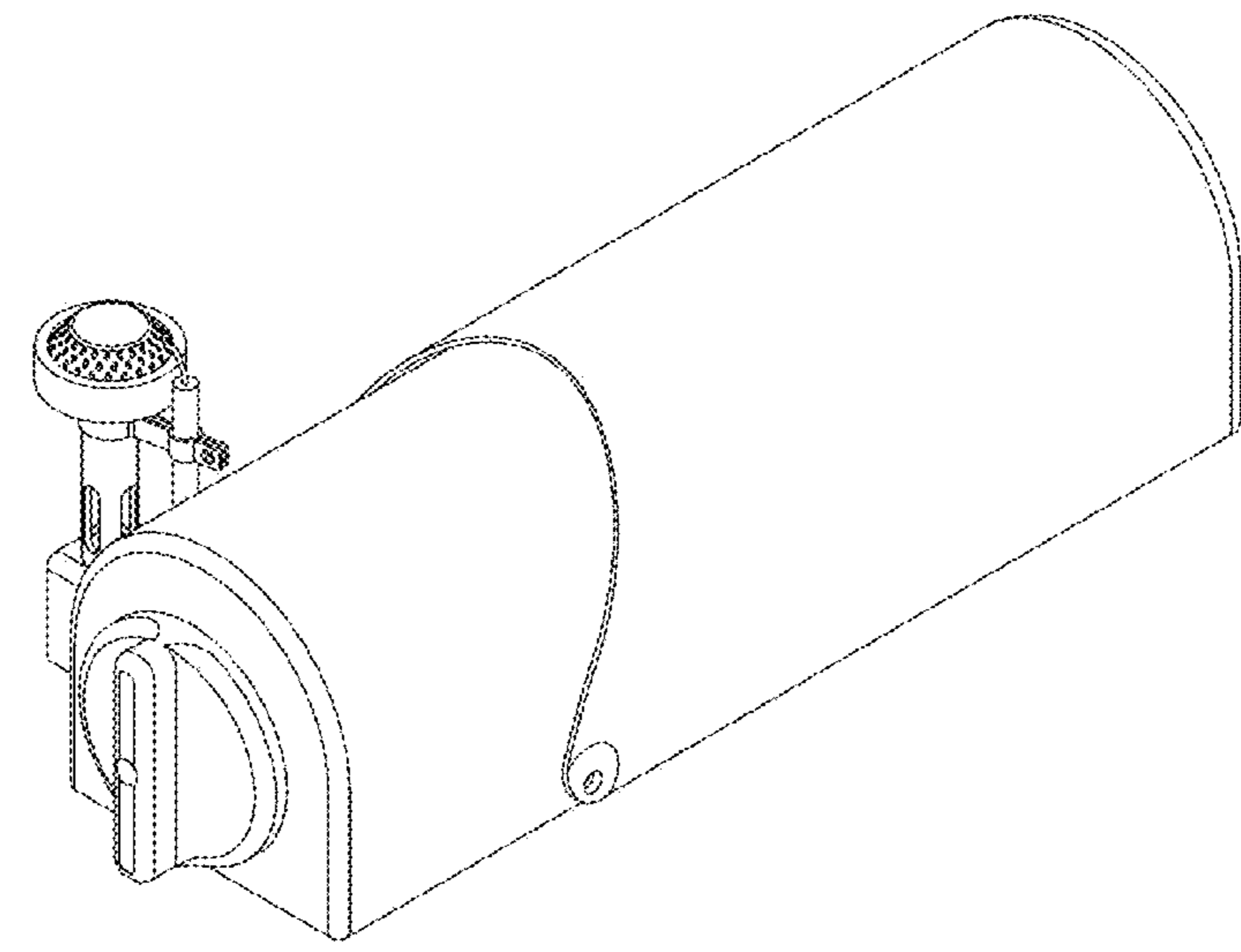
D258,108 S \* 2/1981 Cone ..... D7/332  
D282,811 S \* 3/1986 Best ..... D7/332  
5,148,737 A \* 9/1992 Poulson ..... A47J 37/041  
126/21 A  
D352,864 S \* 11/1994 Parker ..... D7/334  
6,012,381 A \* 1/2000 Hawn ..... A47J 27/14  
126/25 R  
6,138,553 A \* 10/2000 Toebben ..... A47J 37/042  
126/25 AA  
D598,698 S \* 8/2009 Lee ..... D7/332  
D739,170 S \* 9/2015 Chung ..... D7/337  
D772,637 S \* 11/2016 Barquin ..... D7/337

\* cited by examiner  
*Primary Examiner* — Sheryl Lane  
*Assistant Examiner* — Nicole Shiflet  
(74) *Attorney, Agent, or Firm* — Wolf, Greenfield & Sacks, P.C.

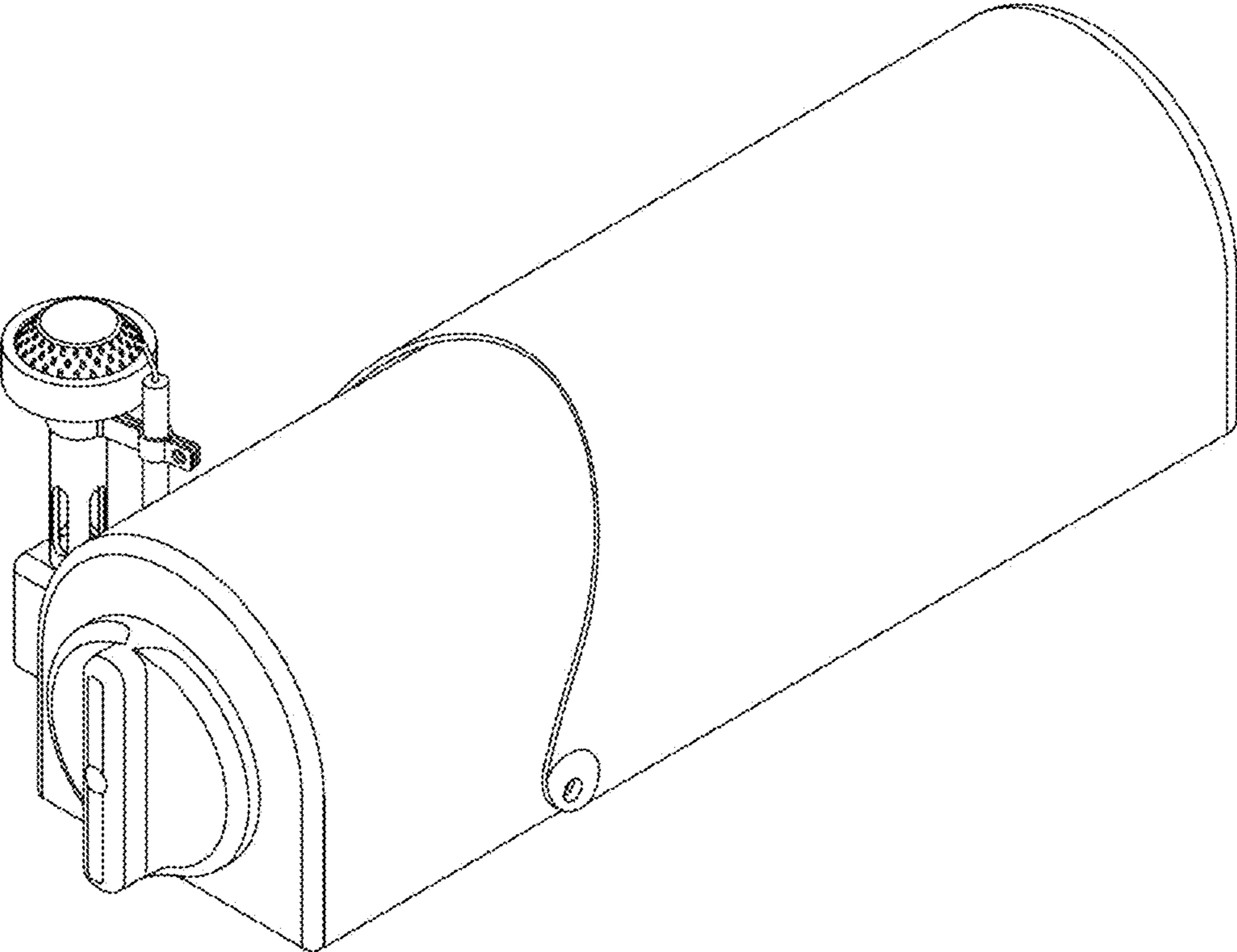
(57) **CLAIM**  
The ornamental design for a portable gas stove, as shown and described.

**DESCRIPTION**  
1. Portable gas stove  
1.1 : Perspective  
1.2 : Front  
1.3 : Back  
1.4 : Left  
1.5 : Right  
1.6 : Top  
1.7 : Bottom  
1.8 : State in use  
The broken lines showing portions of the portable gas stove form no part of the claimed design.  
The present design relates to a portable gas stove that maintains temperature of a container containing food or is used as cookware.

**1 Claim, 8 Drawing Sheets**



1.1



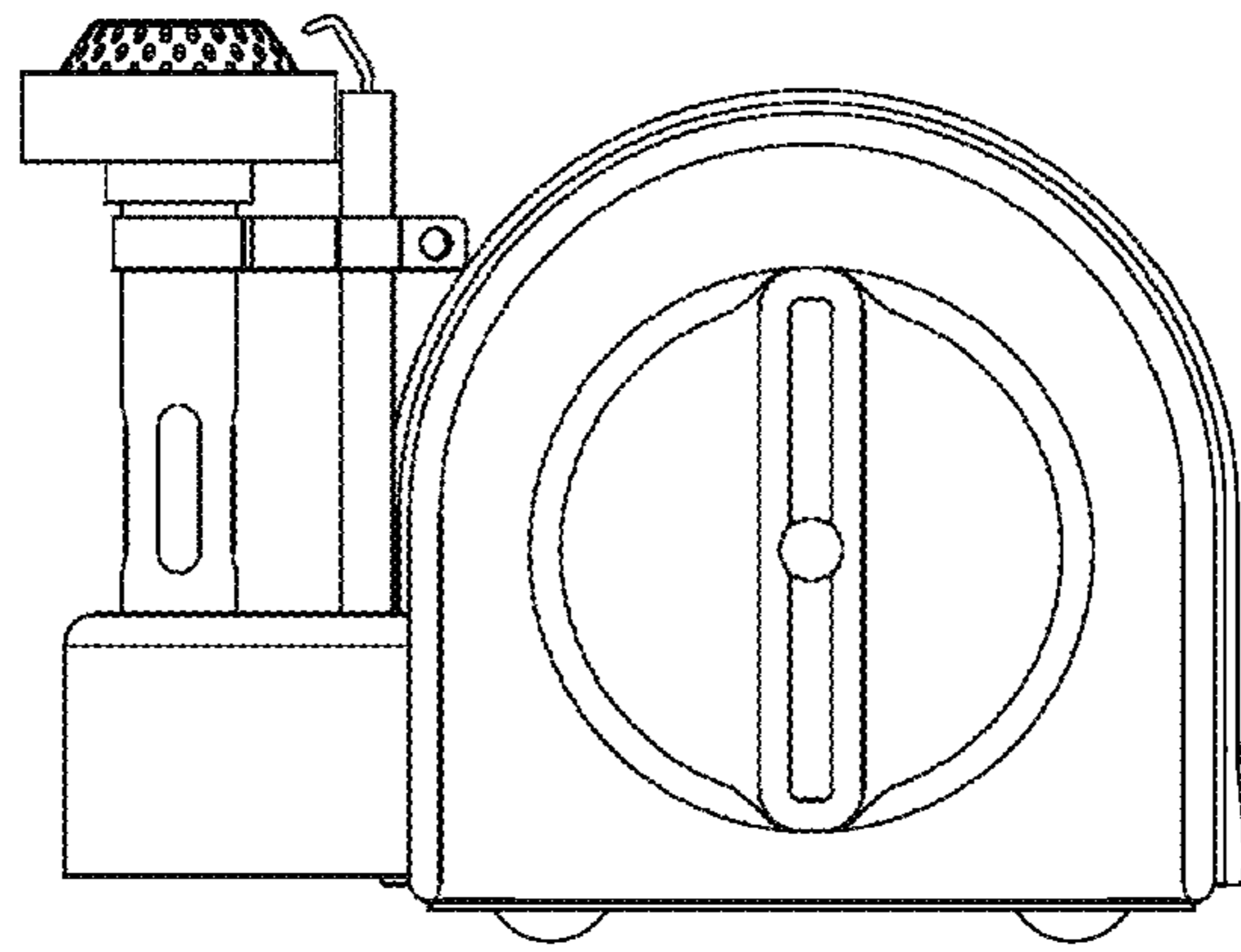


Fig. 1.2

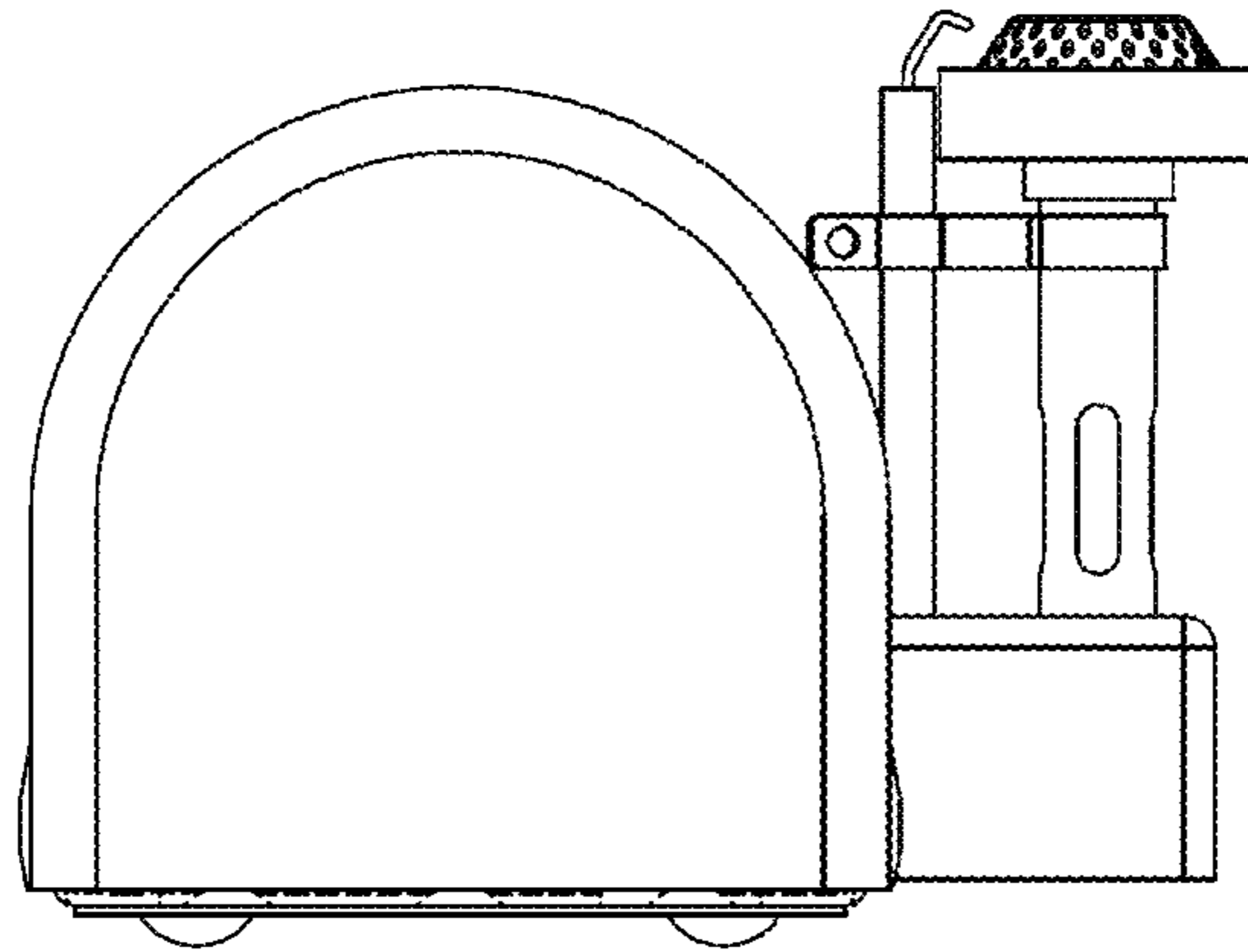


Fig. 1.3

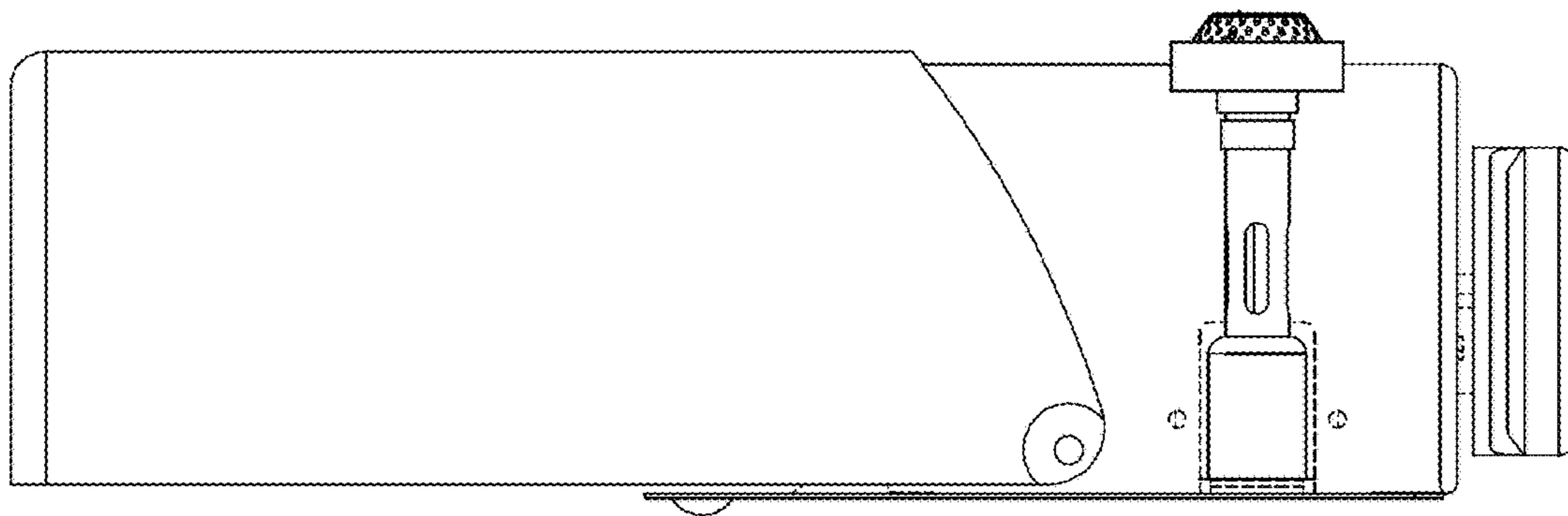


Fig. 1.4

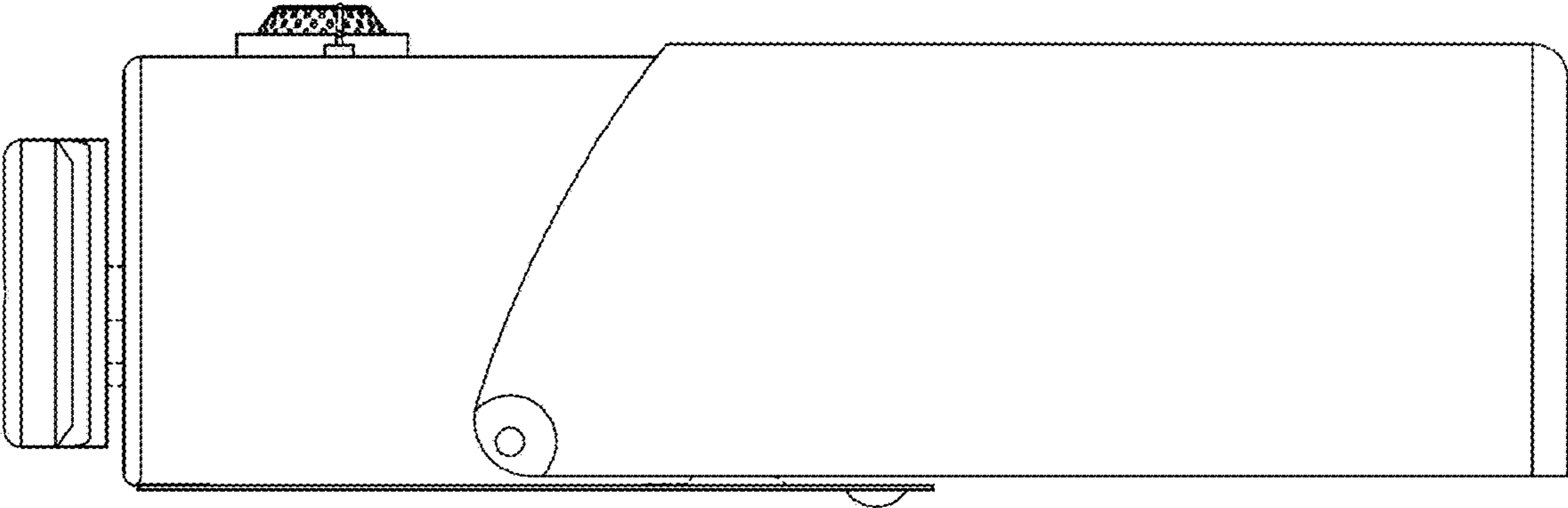


Fig. 1.5

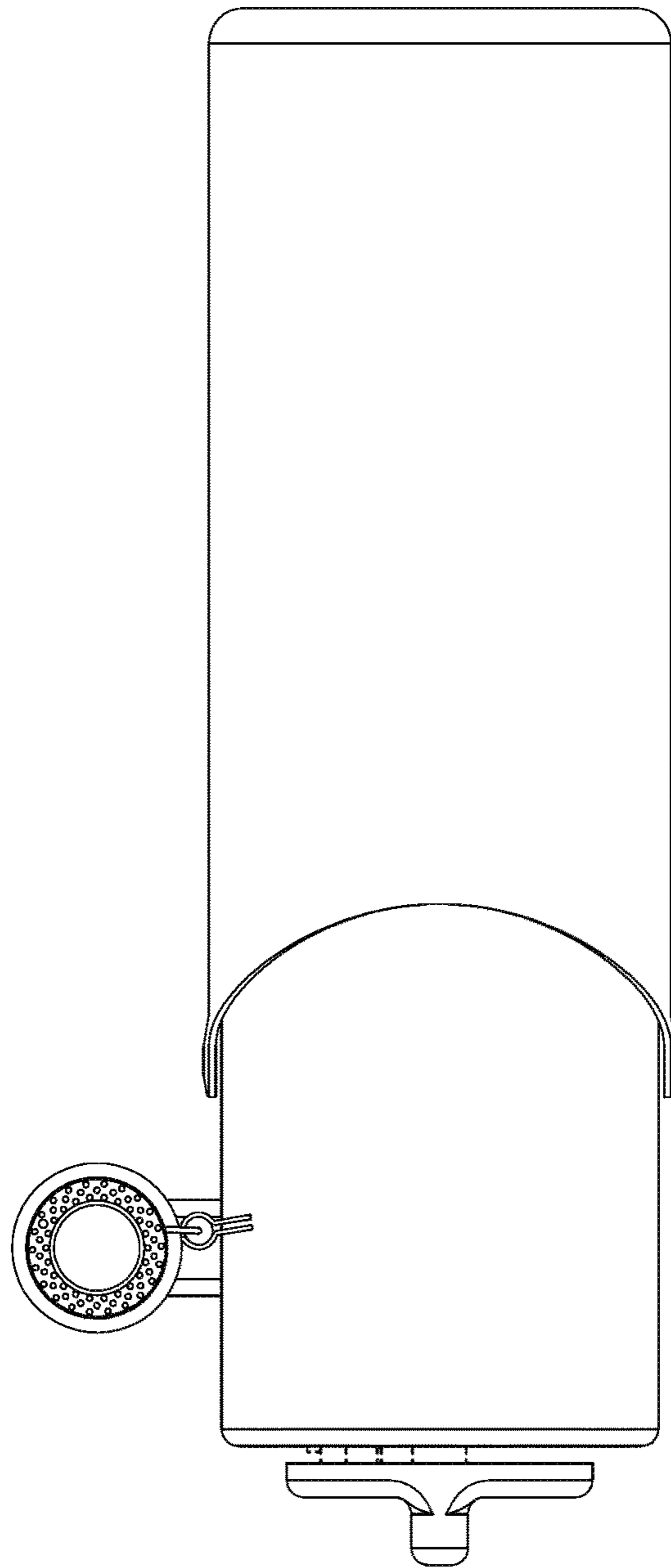


Fig. 1.6

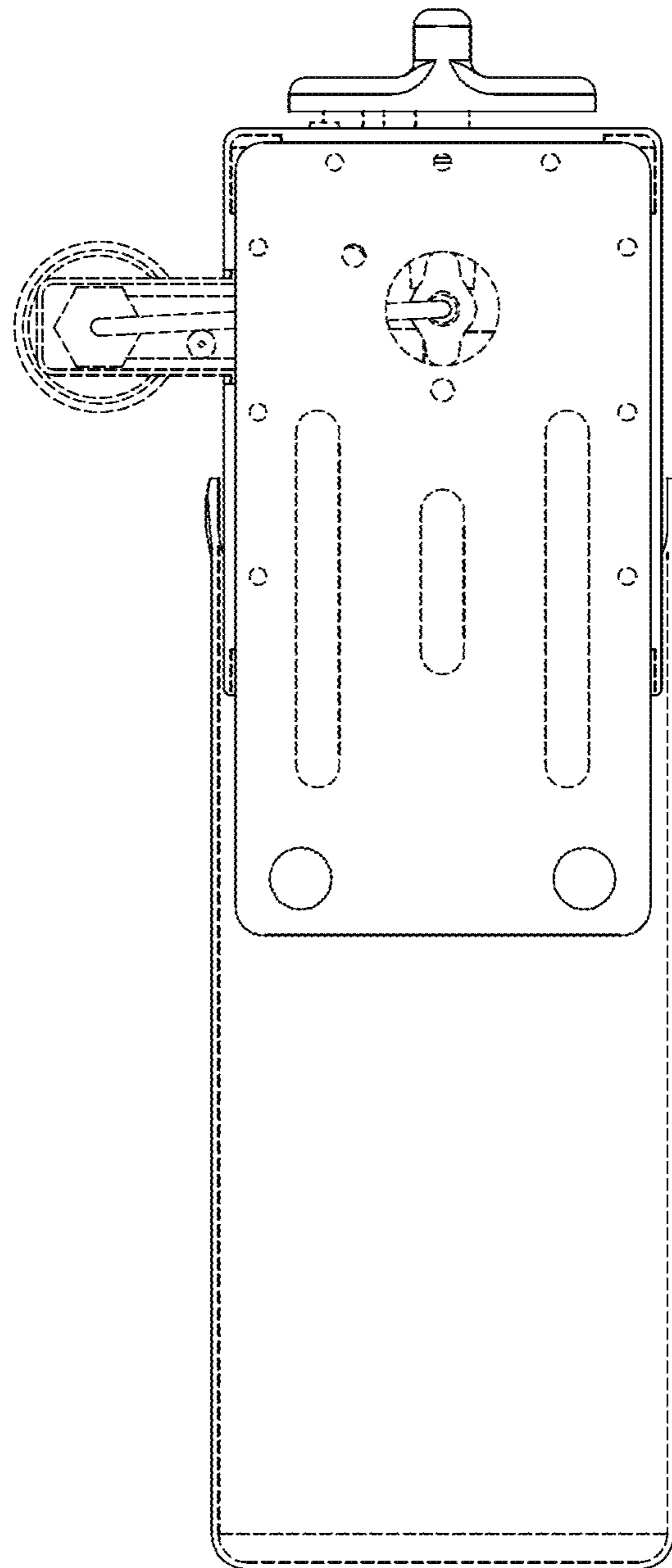


Fig. 1.7



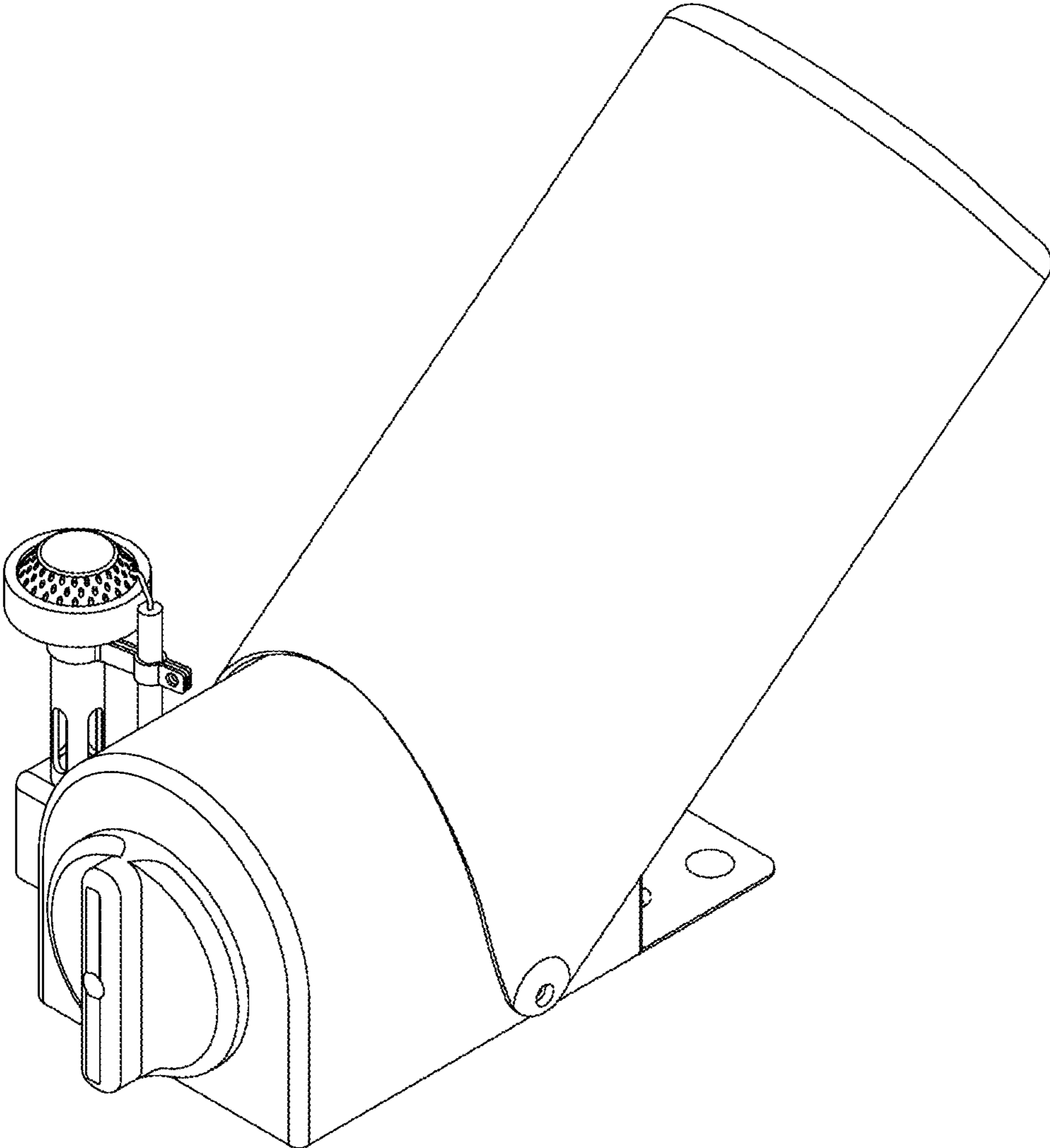


Fig. 1.8