



US00D804887S

(12) **United States Design Patent** (10) **Patent No.:** **US D804,887 S**
Lin (45) **Date of Patent:** **** Dec. 12, 2017**

(54) **TOASTER**
(71) Applicant: **Tsann Kuen (Zhangzhou) Enterprise Co., Ltd., Fujian (CN)**
(72) Inventor: **Ping Lin, Fujian (CN)**
(73) Assignee: **Tsann Kuen (Zhangzhou) Enterprise Co., Ltd., Zhangzhou (CN)**
(**) Term: **15 Years**

D415,924 S * 11/1999 Powel D7/330
D422,833 S * 4/2000 Cruz D7/330
D424,362 S * 5/2000 Parker D7/330
D436,792 S * 1/2001 Parker D7/330
D460,655 S * 7/2002 Piret D7/330
D527,568 S * 9/2006 Page D7/330
D553,421 S * 10/2007 Kim D7/330
D572,071 S * 7/2008 Kim D7/330
D590,653 S * 4/2009 Lavy D7/330
D615,343 S * 5/2010 Bock D7/330
D794,995 S * 8/2017 Bond D7/330

* cited by examiner

(21) Appl. No.: **29/587,283**
(22) Filed: **Dec. 12, 2016**

Primary Examiner — Ricky Pham

(74) *Attorney, Agent, or Firm* — Wang Law Firm, Inc.

(30) **Foreign Application Priority Data**

Aug. 8, 2016 (CN) 2016 3 0374725

(51) **LOC (10) Cl.** **07-02**
(52) **U.S. Cl.**
USPC **D7/330**

(58) **Field of Classification Search**
USPC D7/323, 328–330, 390
CPC ... A21B 2/00; A47J 37/00; A47J 37/06; A47J 37/0611; A47J 37/08; A47J 37/0807; A47J 37/0814; A47J 37/0835; A47J 37/0842; A47J 37/085; A47J 37/0864; A47J 37/0878; A47J 37/0885; A47J 37/0892; F24C 15/10; F24C 15/102
See application file for complete search history.

(56) **References Cited**

U.S. PATENT DOCUMENTS

D124,059 S * 12/1940 Christenson et al. D7/330
D151,113 S * 9/1948 Yaeger D7/330

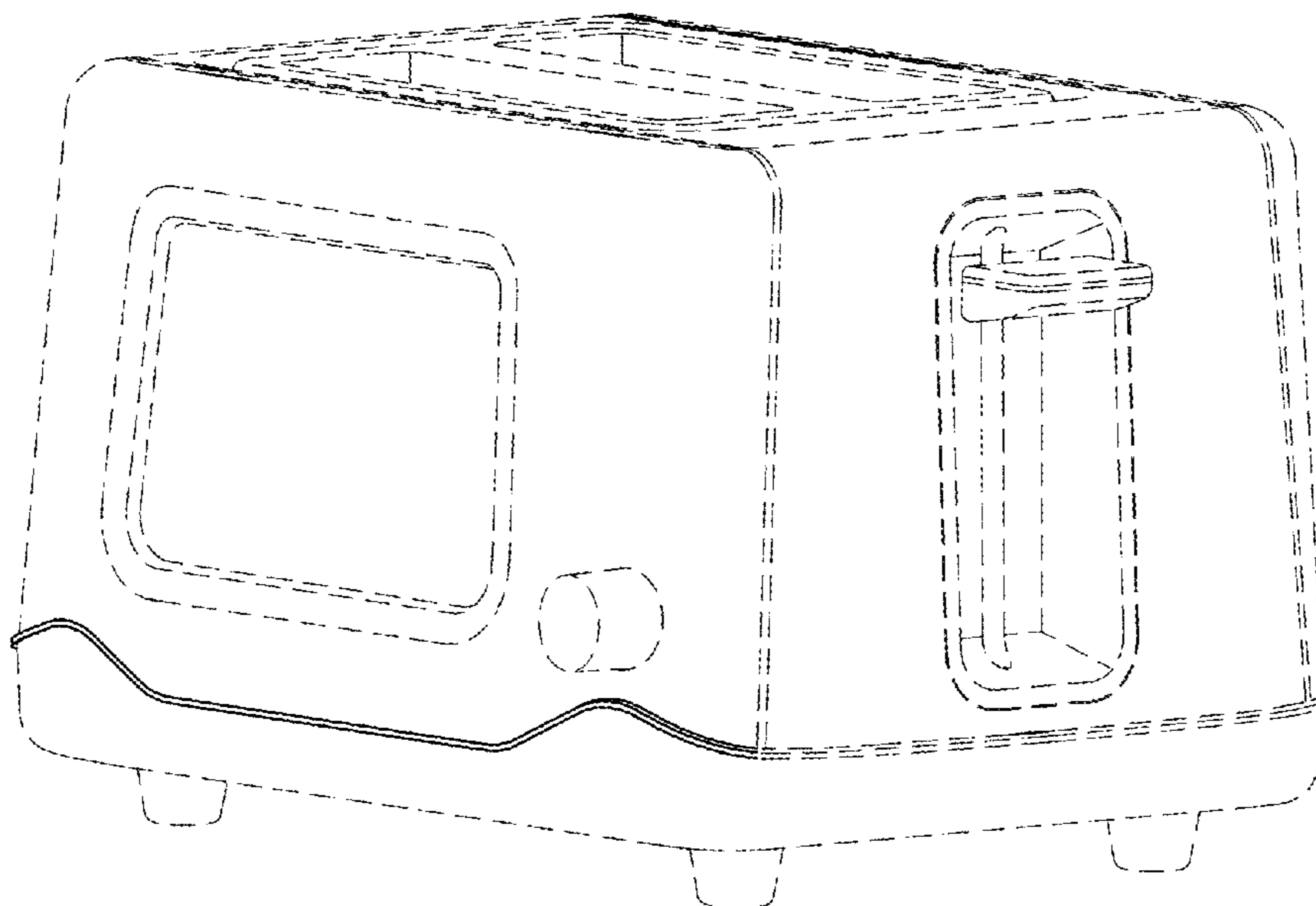
(57) **CLAIM**

The ornamental design for a toaster, as shown and described.

DESCRIPTION

FIG. 1 is a front view of a toaster showing my new design; FIG. 2 is a rear view thereof; FIG. 3 is a left side view thereof; FIG. 4 is a right side view thereof; FIG. 5 is a top plan view thereof; FIG. 6 is a bottom plan view thereof; and, FIG. 7 is a perspective view thereof. The broken lines shown in the Figures are for illustrative purposes only and form no part of the claimed design.

1 Claim, 7 Drawing Sheets



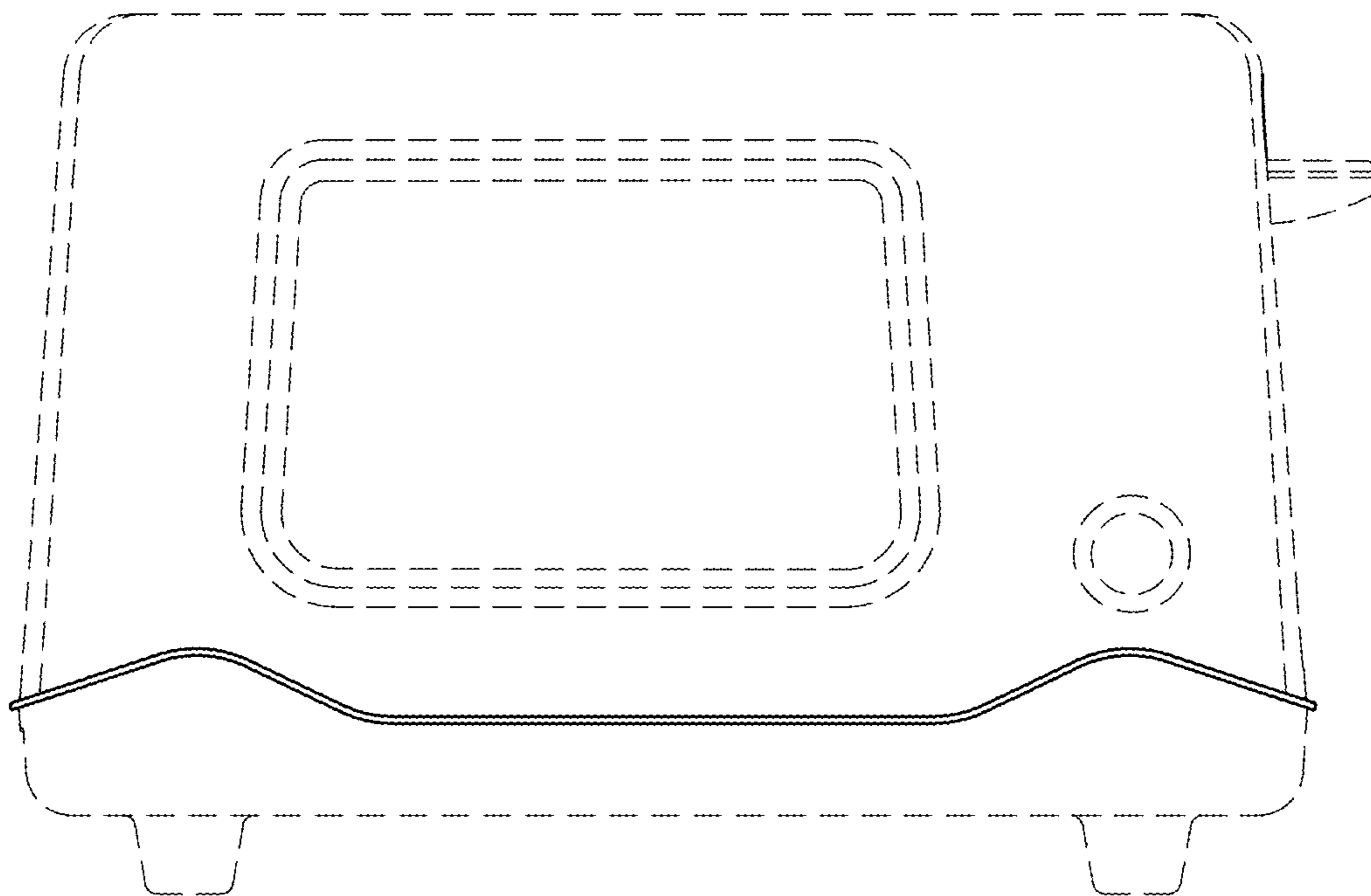


FIG. 1

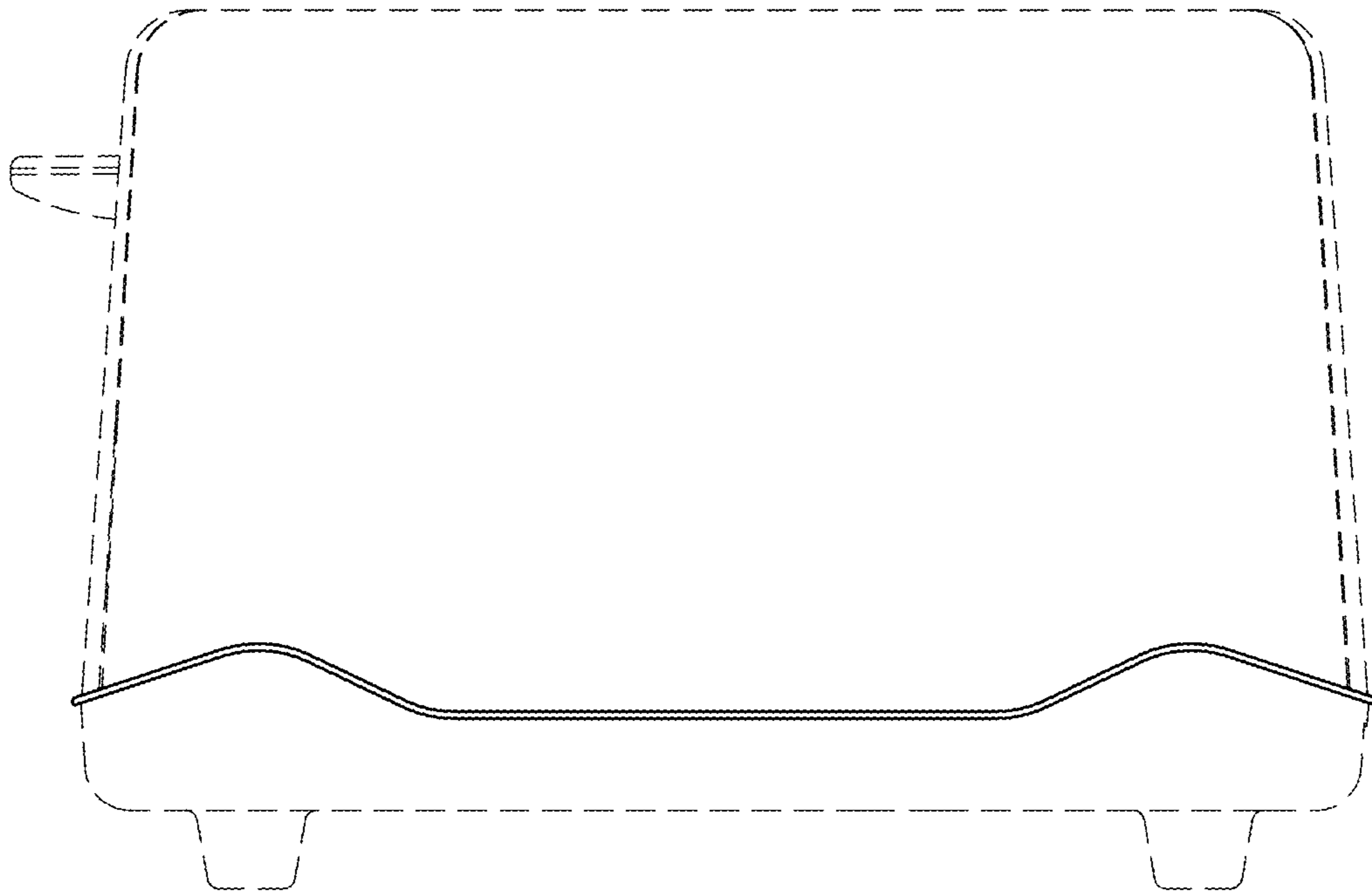


FIG. 2

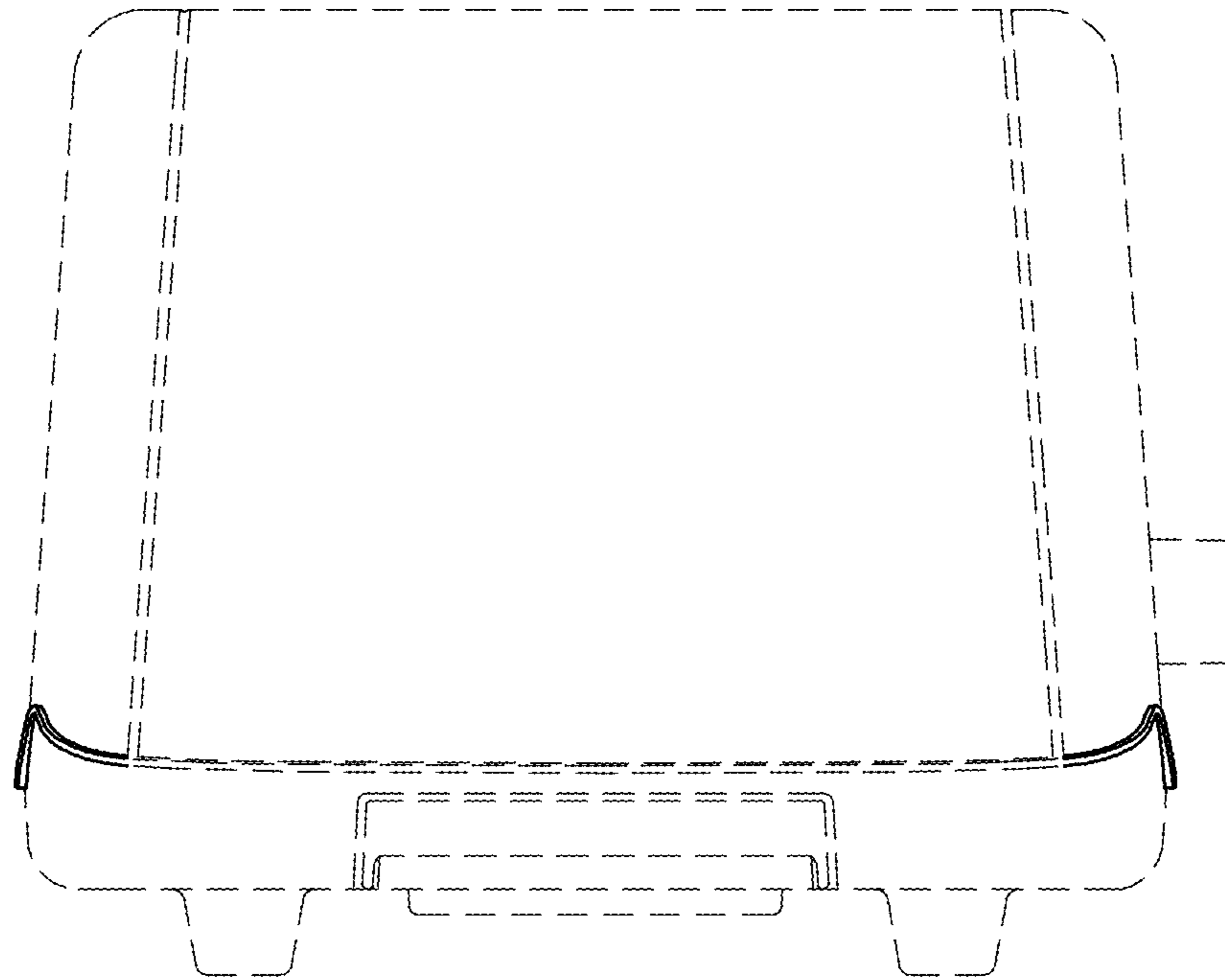


FIG. 3

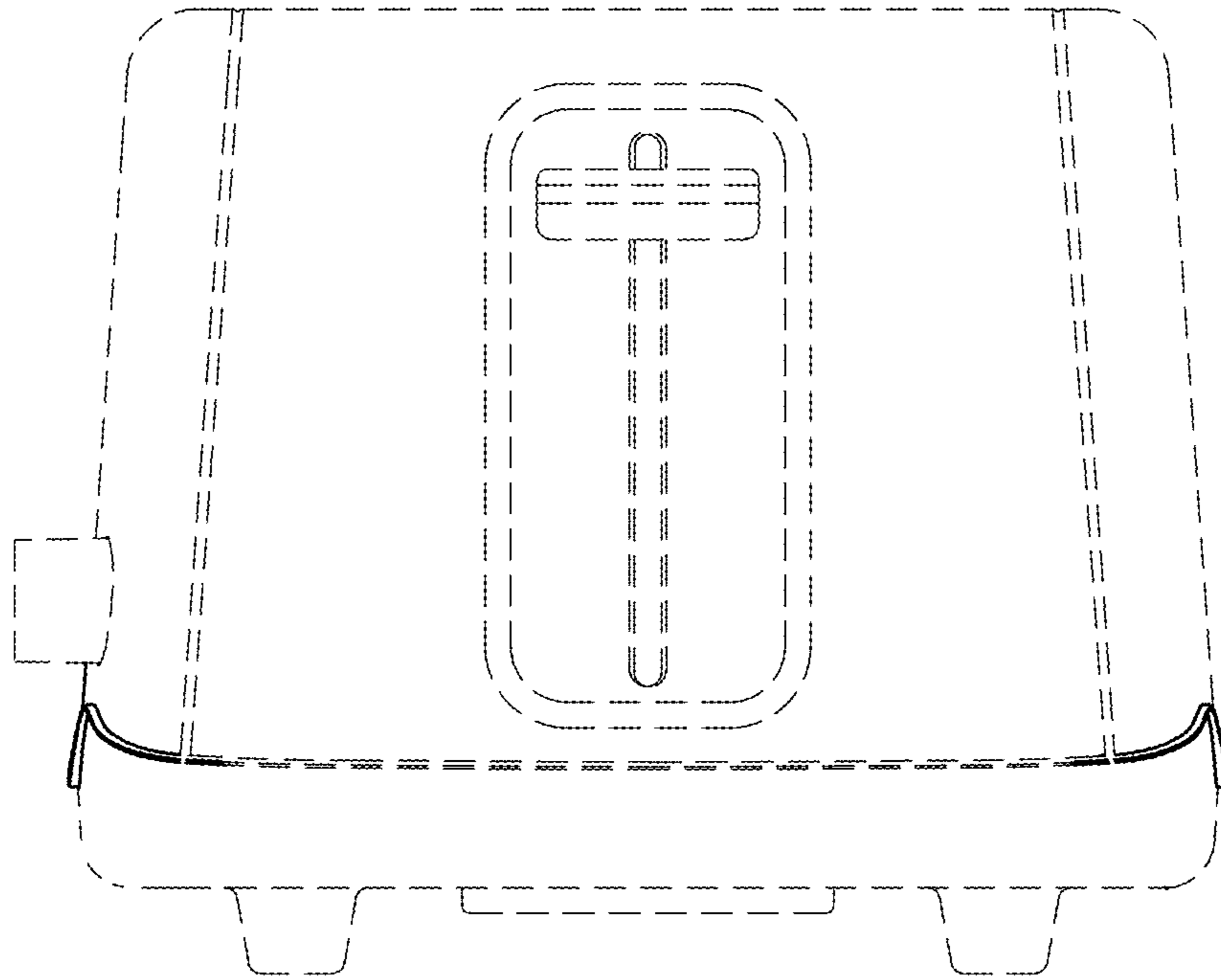


FIG. 4

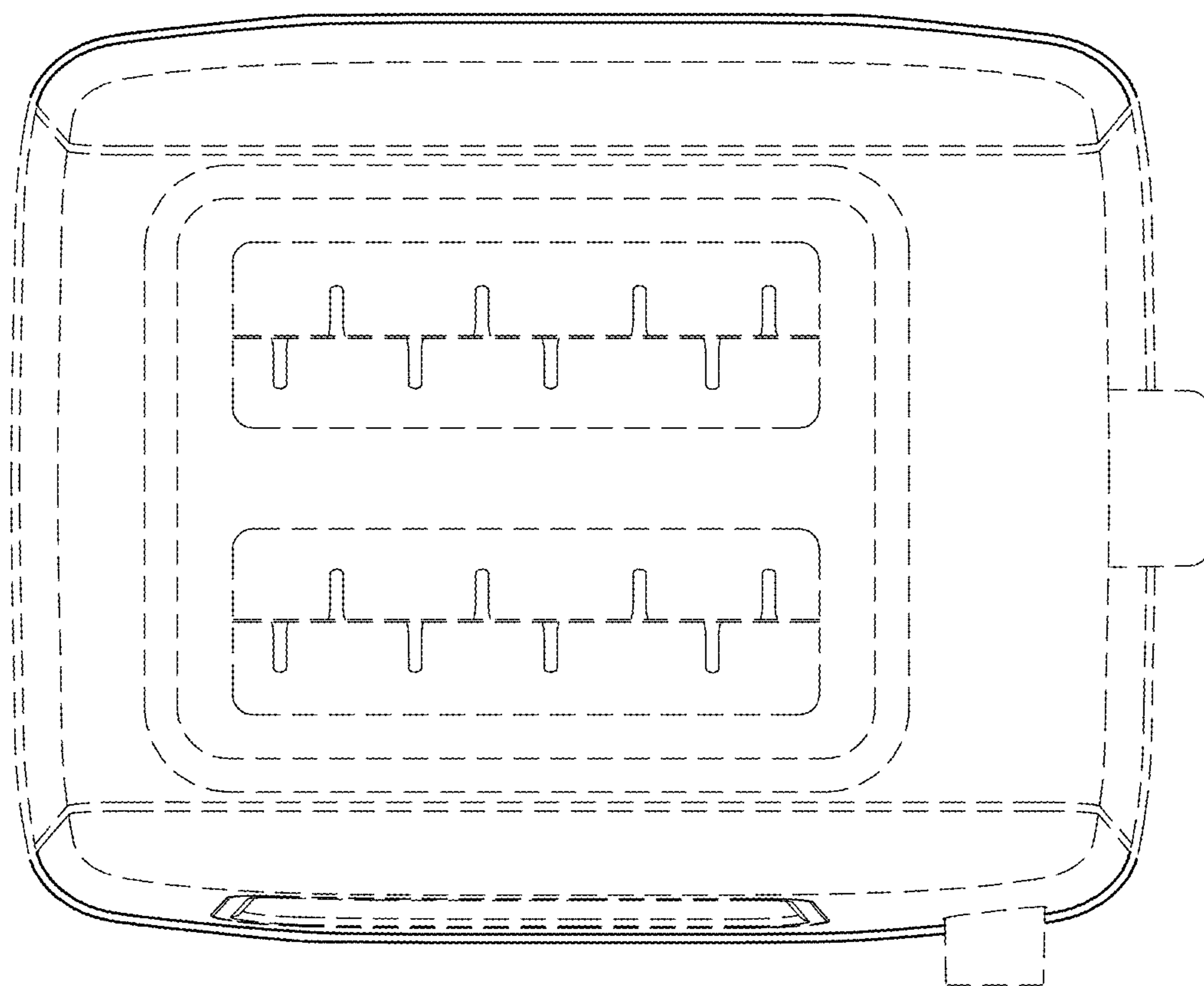


FIG. 5

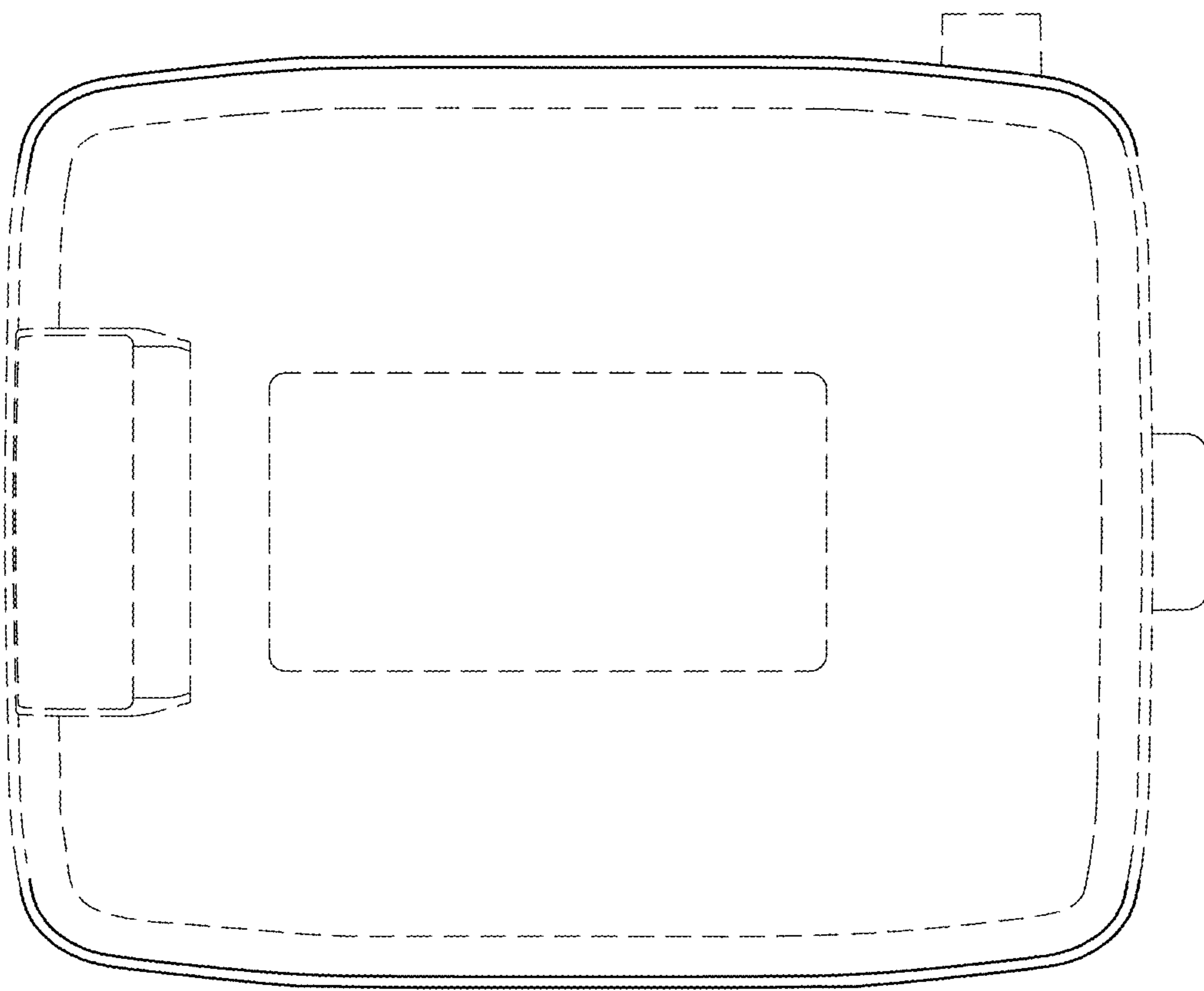


FIG. 6

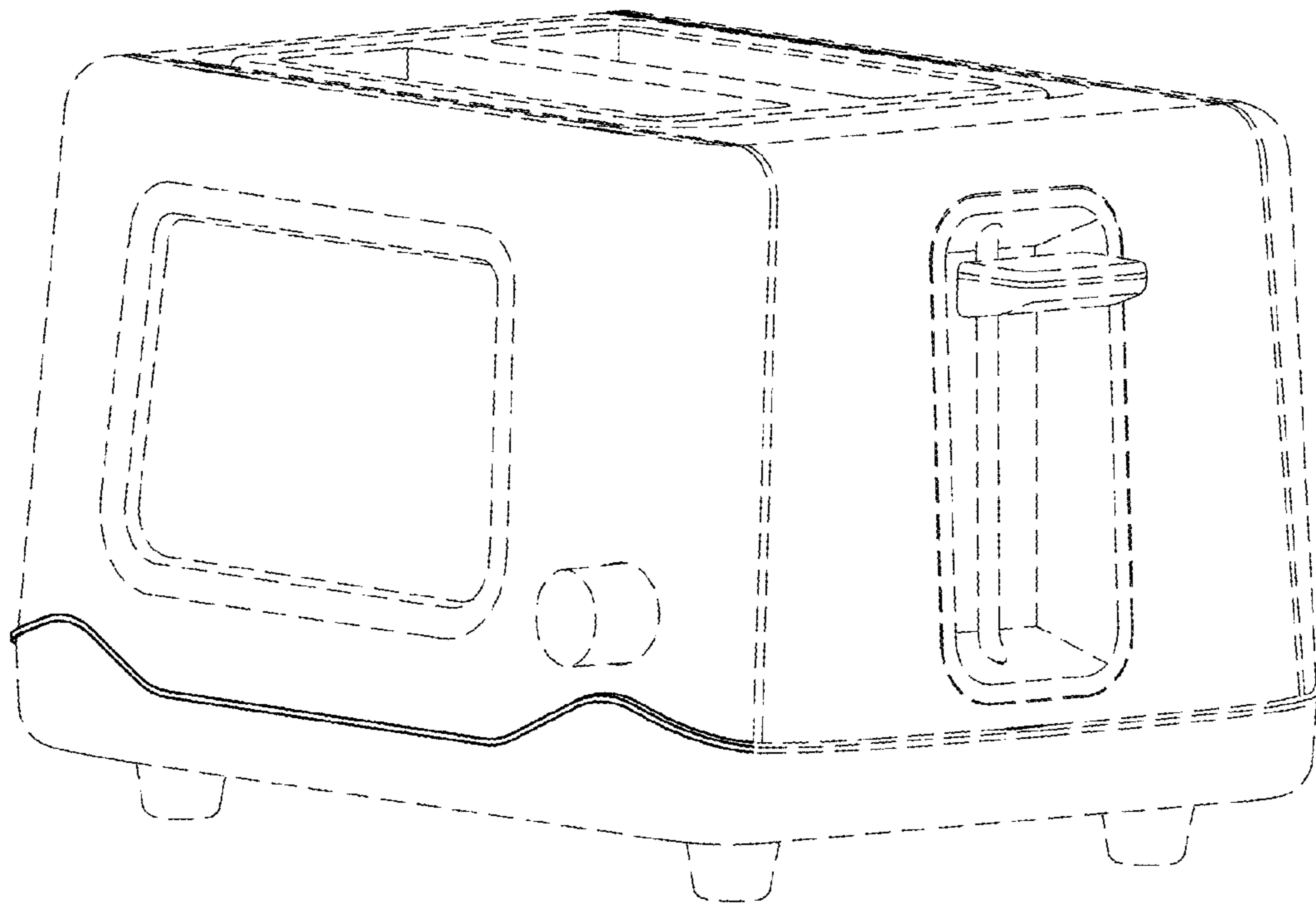


FIG. 7