



US00D804886S

(12) **United States Design Patent**  
**Hauser et al.**

(10) **Patent No.:** **US D804,886 S**

(45) **Date of Patent:** **\*\* Dec. 12, 2017**

(54) **TOASTER**

(71) Applicant: **Morphy Richards Limited**, Rotherham (GB)

(72) Inventors: **Glyn Hauser**, Rotherham (GB); **Grant Geeson**, Rotherham (GB); **Michael James**, Rotherham (GB); **Ross Eaves**, Rotherham (GB)

(73) Assignee: **MORPHY RICHARDS LIMITED**, Rotherham (GB)

(\*\*) Term: **15 Years**

(21) Appl. No.: **29/532,165**

(22) Filed: **Jul. 2, 2015**

(30) **Foreign Application Priority Data**

Jan. 21, 2015 (EM) ..... 002617878-0001

(51) **LOC (10) Cl.** ..... **07-02**

(52) **U.S. Cl.**  
USPC ..... **D7/330**

(58) **Field of Classification Search**  
USPC ..... D7/323, 328-330, 390  
CPC ... A21B 2/00; A47J 37/00; A47J 37/06; A47J 37/0611; A47J 37/08; A47J 37/0807; A47J 37/0814; A47J 37/0835; A47J 37/0842; A47J 37/085; A47J 37/0864; A47J 37/0878; A47J 37/0885; A47J 37/0892; F24C 15/10; F24C 15/102  
See application file for complete search history.

(56) **References Cited**

**U.S. PATENT DOCUMENTS**

2,564,706 A 8/1951 Mochel  
D258,926 S \* 4/1981 Hentschel ..... D7/330  
D265,044 S \* 6/1982 Hanson ..... D7/330

D265,160 S \* 6/1982 Kelley ..... D7/330  
D266,732 S \* 11/1982 Kelley ..... D7/330  
D297,391 S \* 8/1988 Ansel ..... D7/330  
D315,272 S \* 3/1991 Moore ..... D7/330  
D315,273 S \* 3/1991 Myerly ..... D7/330  
5,419,305 A 5/1995 Hanley  
6,125,234 A 9/2000 de Jenlis  
6,341,554 B2 1/2002 Thiriat  
D469,297 S 1/2003 Bouhuys et al.  
6,717,110 B2 \* 4/2004 Van der Meer ..... A47J 37/0807  
219/386

(Continued)

**FOREIGN PATENT DOCUMENTS**

EP 0487257 A1 5/1992  
EP 1125539 A1 8/2001

(Continued)

**OTHER PUBLICATIONS**

Kancept—Transparent Toaster [http://www.kancept.com/kancepts/show/Transparent\\_Toaster--28](http://www.kancept.com/kancepts/show/Transparent_Toaster--28) 11 Pages Printed May 31, 2010.

(Continued)

*Primary Examiner* — Ricky Pham

(74) *Attorney, Agent, or Firm* — King & Schickli, PLLC

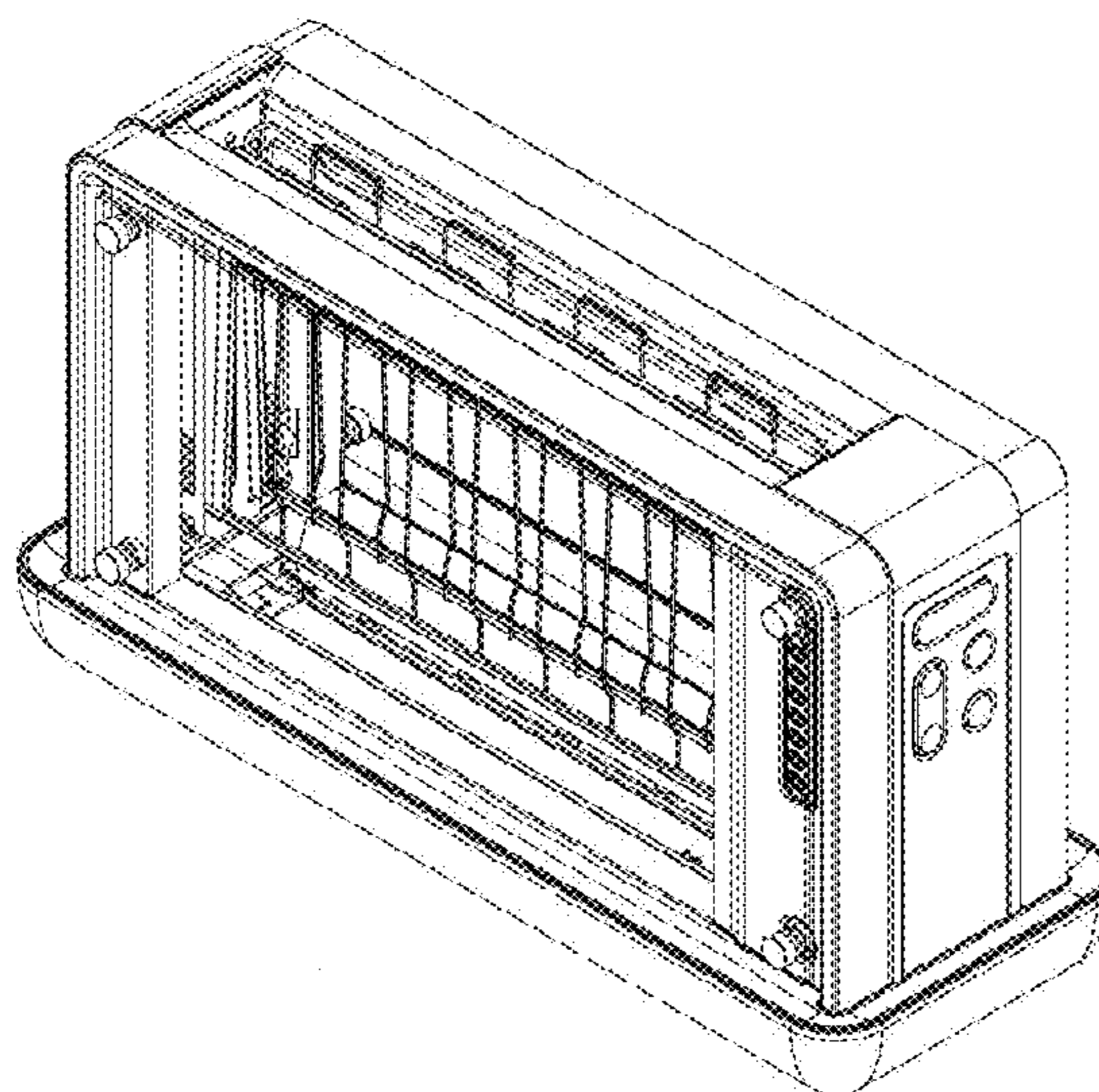
(57) **CLAIM**

The ornamental design for a toaster, as shown and described.

**DESCRIPTION**

FIG. 1 is a front perspective view of the invention;  
FIG. 2 is a front view of the invention;  
FIG. 3 is a rear view of the invention;  
FIG. 4 is a top view of the invention;  
FIG. 5 is a bottom view of the invention;  
FIG. 6 is an enlarged right side view of the invention; and,  
FIG. 7 is an enlarged left side view of the invention.

**1 Claim, 6 Drawing Sheets**



(56)

**References Cited**

## U.S. PATENT DOCUMENTS

D599,607	S	9/2009	Verdun	
D603,649	S *	11/2009	Chung .....	D7/330
D605,891	S *	12/2009	Kizilbayir .....	D7/330
D609,958	S *	2/2010	Chung .....	D7/330
D704,496	S *	5/2014	Coppersmith .....	D7/330
2001/0016222	A1 *	8/2001	Tomsich .....	A47J 37/08 426/523
2001/0042447	A1	11/2001	Thiriat	
2002/0104444	A1	8/2002	Van der Meer et al.	
2002/0113054	A1	8/2002	Arel	
2003/0075052	A1	4/2003	Saunders et al.	
2003/0192872	A1	10/2003	Lerner	

## FOREIGN PATENT DOCUMENTS

FR	2763233	A1	11/1998
FR	2783689	A1	3/2000
FR	2805143	A1	8/2001
GB	2332349	A	6/1999
WO	DM/060850		9/2001
WO	DM/060891		2/2002
WO	02053000	A1	7/2002
WO	2009005482	A2	1/2009

## OTHER PUBLICATIONS

Transparent toaster sees end of burt toast—Telegraph <http://www.telegraph.co.uk/news/newstopics/howaboutthat/6931661/Transparent-toas...> Printed May 15, 2010 2 Pages © Copyright of Telegraph Media Group Limited 2010.

\* cited by examiner

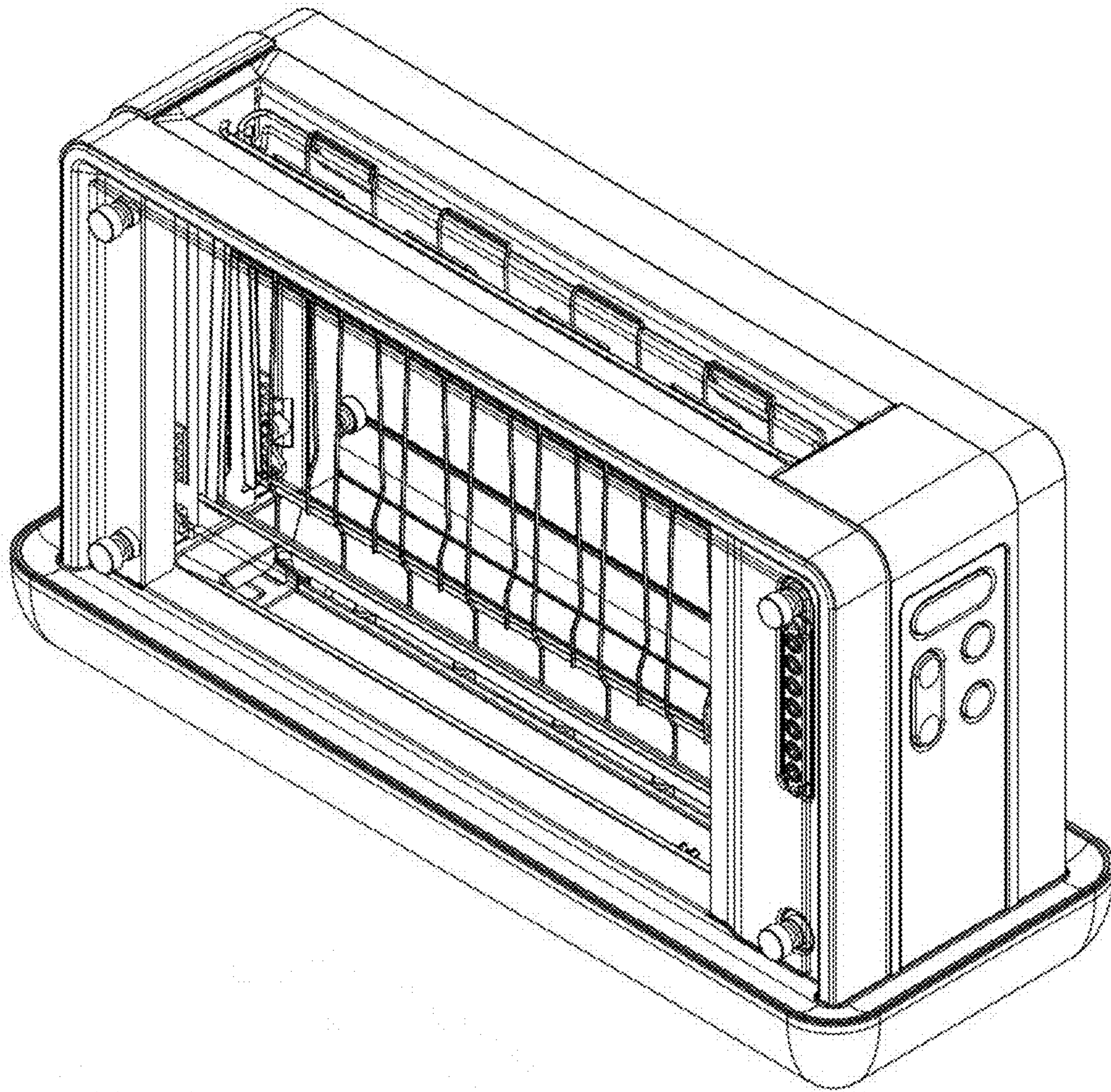


Figure 1

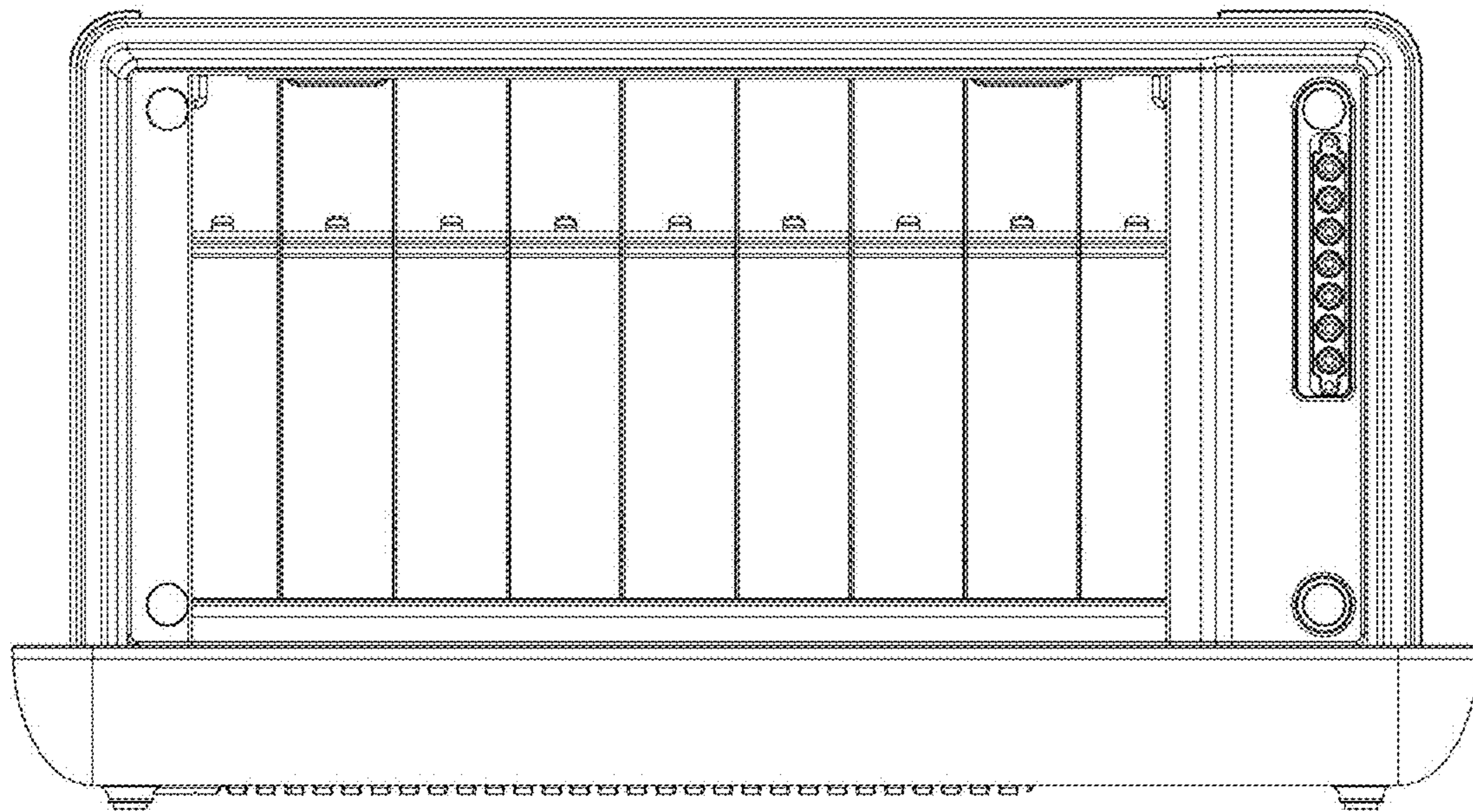


Figure 2

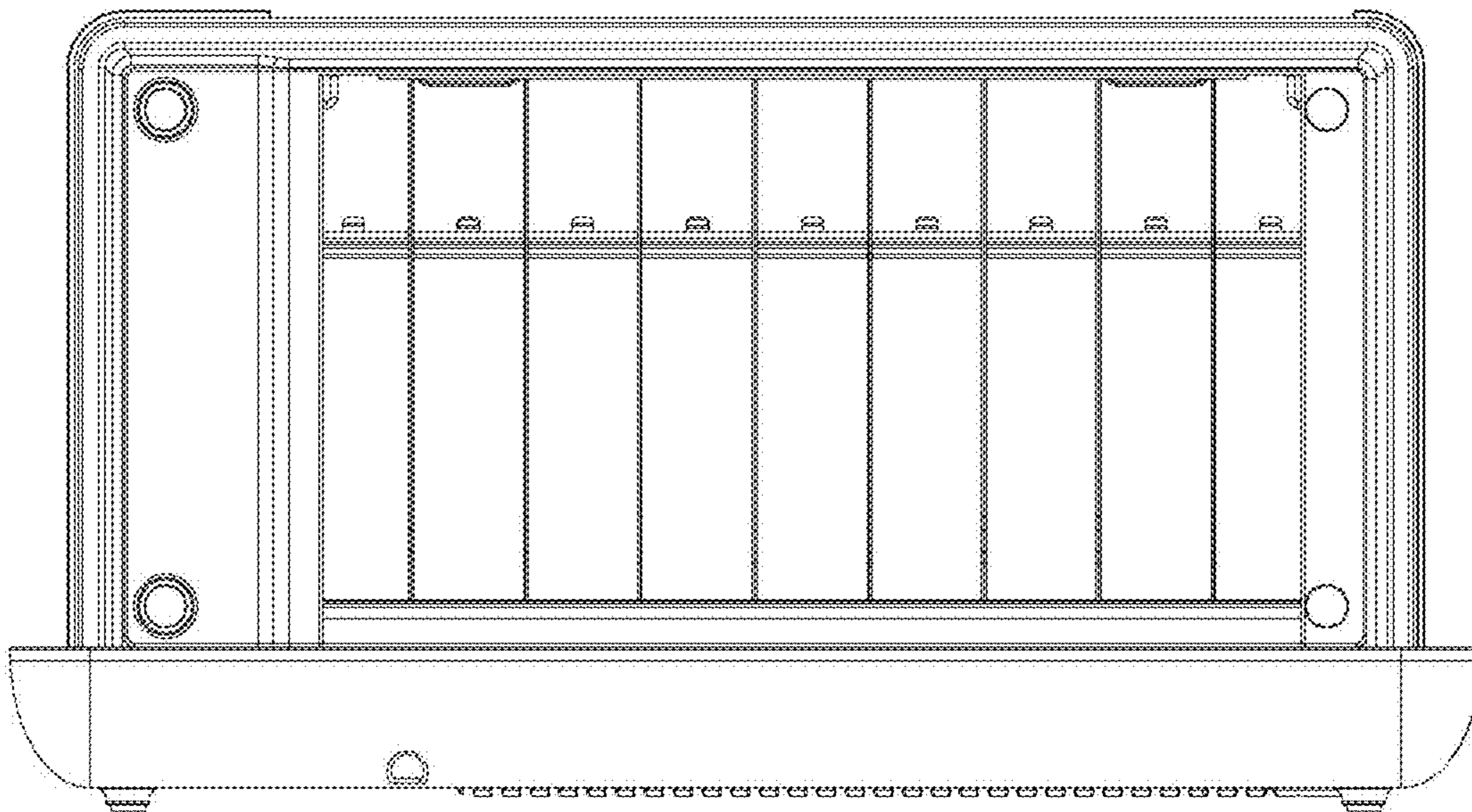


Figure 3

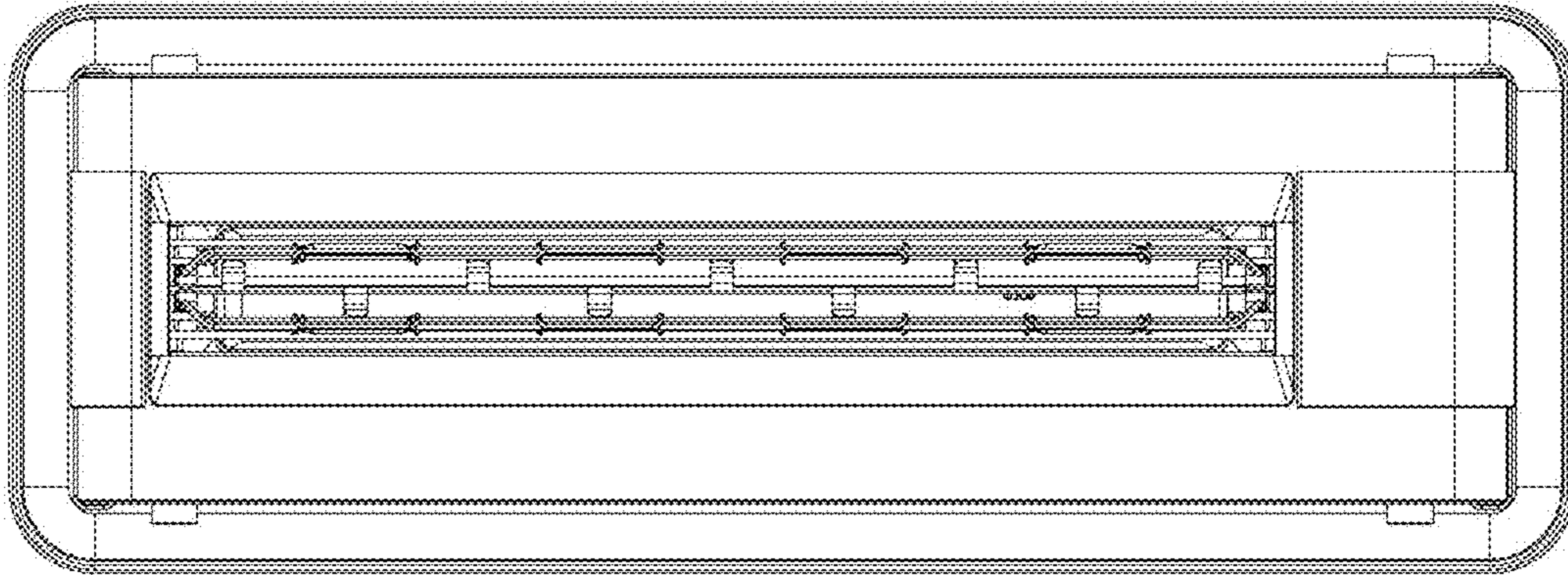


Figure 4

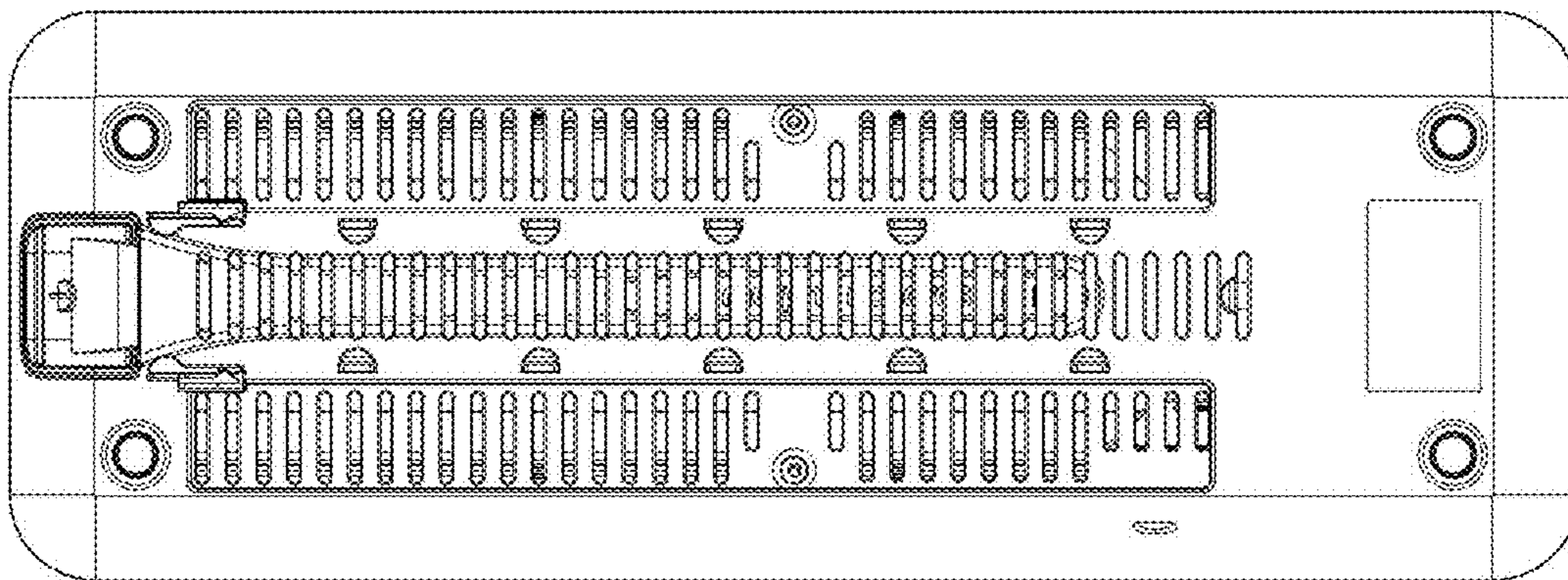


Figure 5

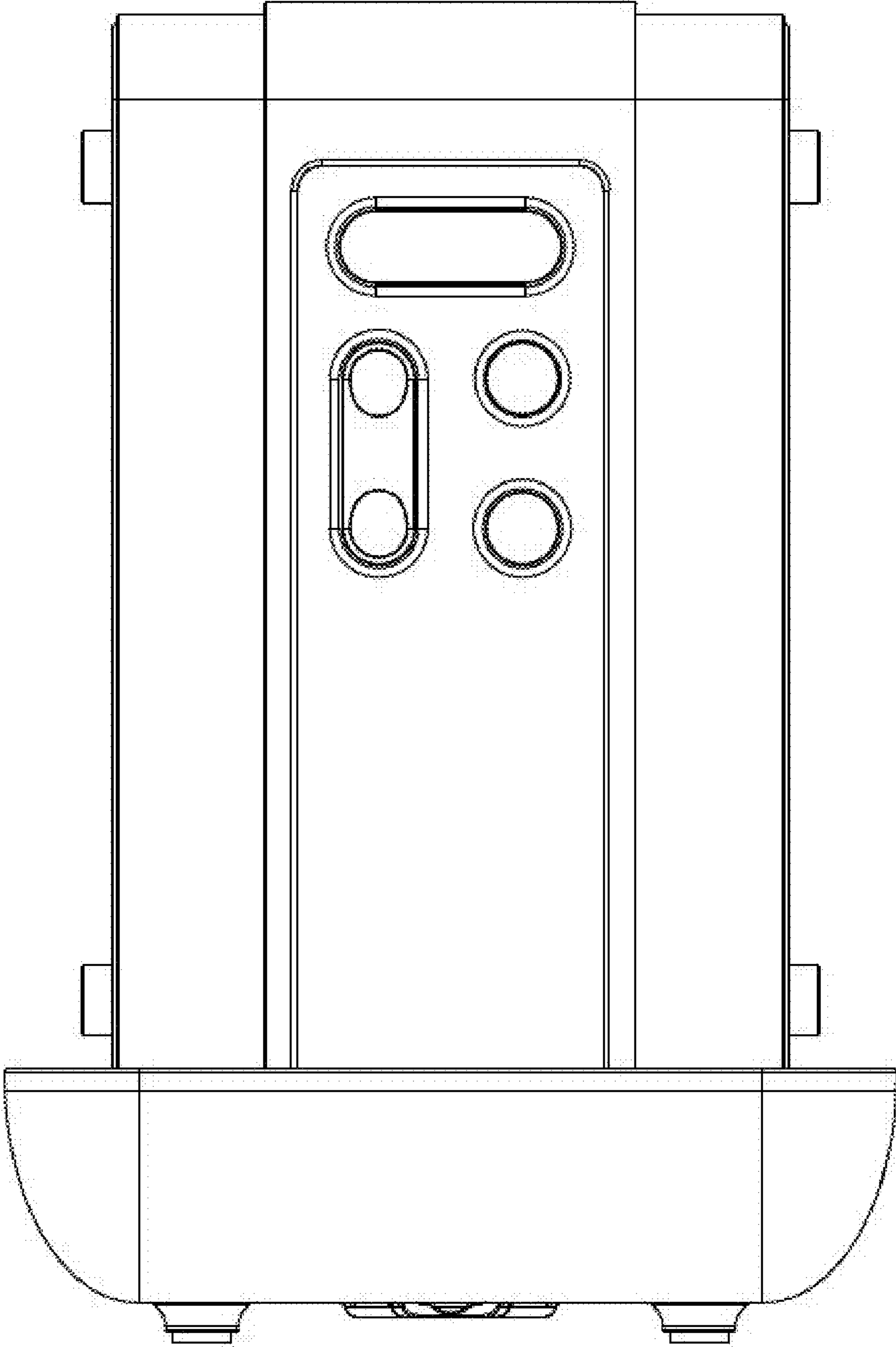


Figure 6

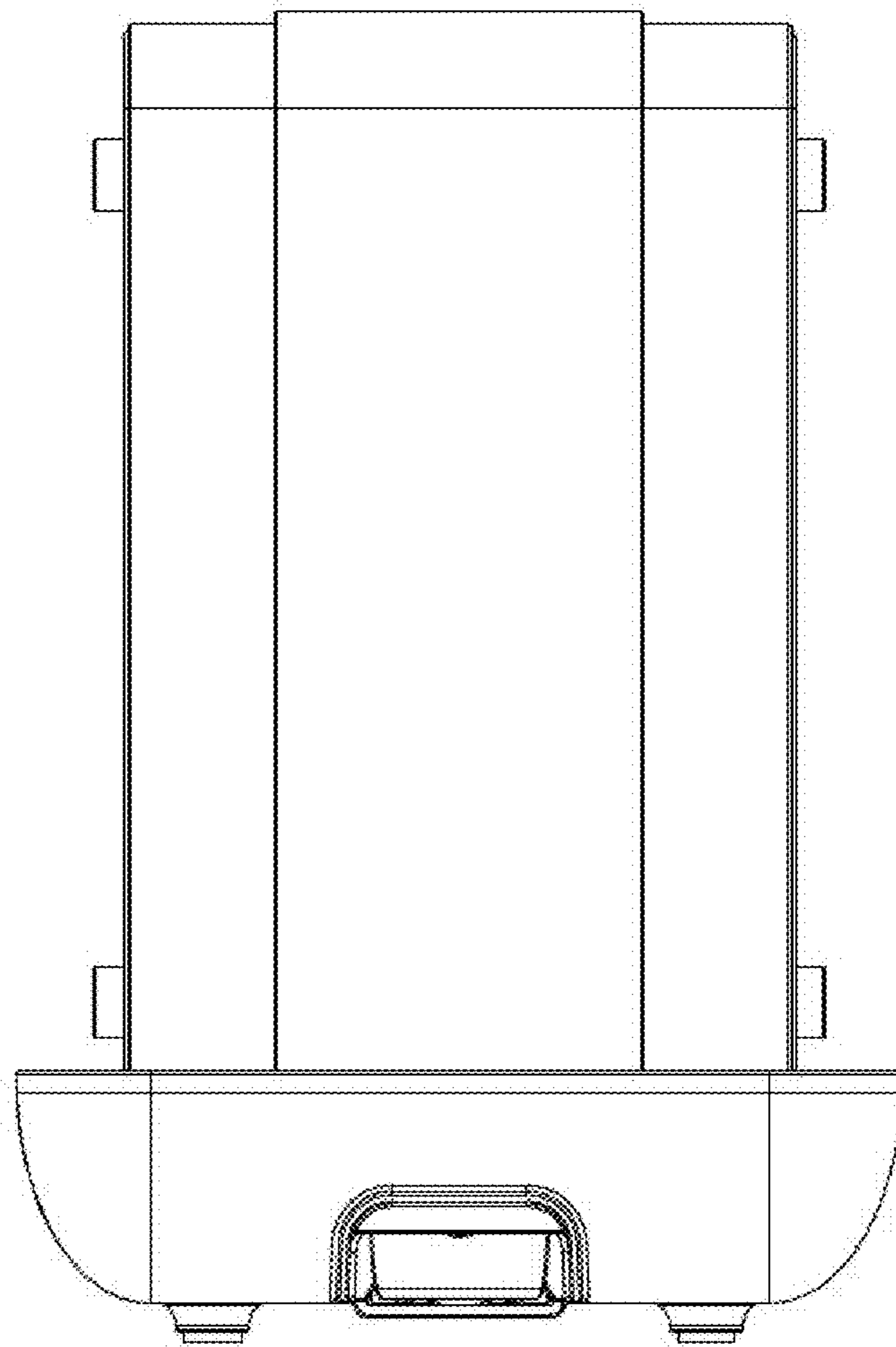


Figure 7