



US00D804881S

(12) **United States Design Patent**
Guelfo

(10) **Patent No.:** **US D804,881 S**

(45) **Date of Patent:** **** Dec. 12, 2017**

(54) **CHAIR**

(71) Applicant: **Okamura Corporation**, Yokohama-shi,
Kanagawa (JP)

(72) Inventor: **Nicola Guelfo**, Moncalieri Turin (IT)

(73) Assignee: **Okamura Corporation**, Yokohama-shi,
Kanagawa (JP)

(**) Term: **15 Years**

(21) Appl. No.: **29/586,498**

(22) Filed: **Dec. 5, 2016**

(30) **Foreign Application Priority Data**

Jun. 6, 2016 (JP) 2016-011969

(51) **LOC (10) Cl.** **06-01**

(52) **U.S. Cl.**
USPC **D6/716.4**

(58) **Field of Classification Search**

USPC D6/334-336, 364, 365, 366, 374, 379,
D6/380, 716, 716.1, 716.2, 716.4

CPC A47C 7/02; A47C 7/022; A47C 7/282;
A47C 7/24; A47C 7/004

See application file for complete search history.

(56) **References Cited**

U.S. PATENT DOCUMENTS

D487,359 S * 3/2004 Giugiaro D6/366
D488,313 S * 4/2004 Seiler D6/366

D489,542 S * 5/2004 Giugiaro D6/366
D548,994 S * 8/2007 Mao D6/366
D559,571 S * 1/2008 Meda D6/366
D683,552 S * 6/2013 Wu D6/366
D703,966 S * 5/2014 Wu D6/366
D714,070 S * 9/2014 Cvek D6/366
D745,301 S * 12/2015 Cvek D6/366
D750,911 S * 3/2016 Su D6/366
D784,749 S * 4/2017 Welsh D6/716.4
D792,120 S * 7/2017 Webb D6/366

* cited by examiner

Primary Examiner — Mimoso De

(74) *Attorney, Agent, or Firm* — Sughrue Mion, PLLC

(57) **CLAIM**

The ornamental design for a chair, as shown and described.

DESCRIPTION

FIG. 1 is a front perspective view of a chair.

FIG. 2 is a rear perspective view thereof.

FIG. 3 is a front elevation view thereof.

FIG. 4 is a rear elevation view thereof.

FIG. 5 is a right side elevation view thereof.

FIG. 6 is a left side elevation view thereof.

FIG. 7 is a top plan view thereof; and,

FIG. 8 is a bottom plan view thereof.

The broken lines shown in the drawings illustrate portions of the chair that form no part of the claimed design. The backrest sheet and the seat of the chair are made of mesh and the mesh pattern of the backrest sheet and the seat forms no part of the claimed design. The oblique line shading illustrates transparency.

1 Claim, 8 Drawing Sheets

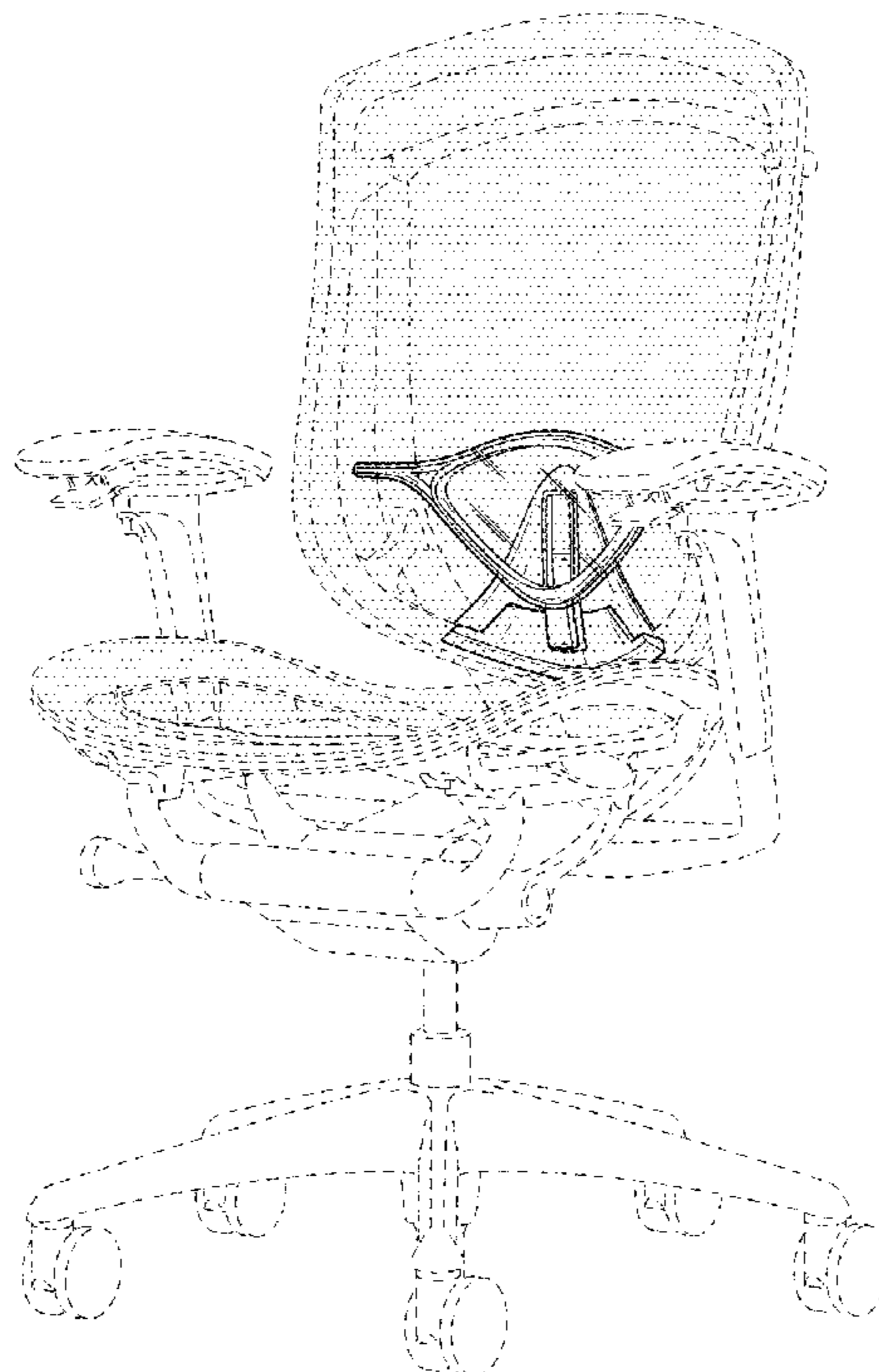


FIG. 1

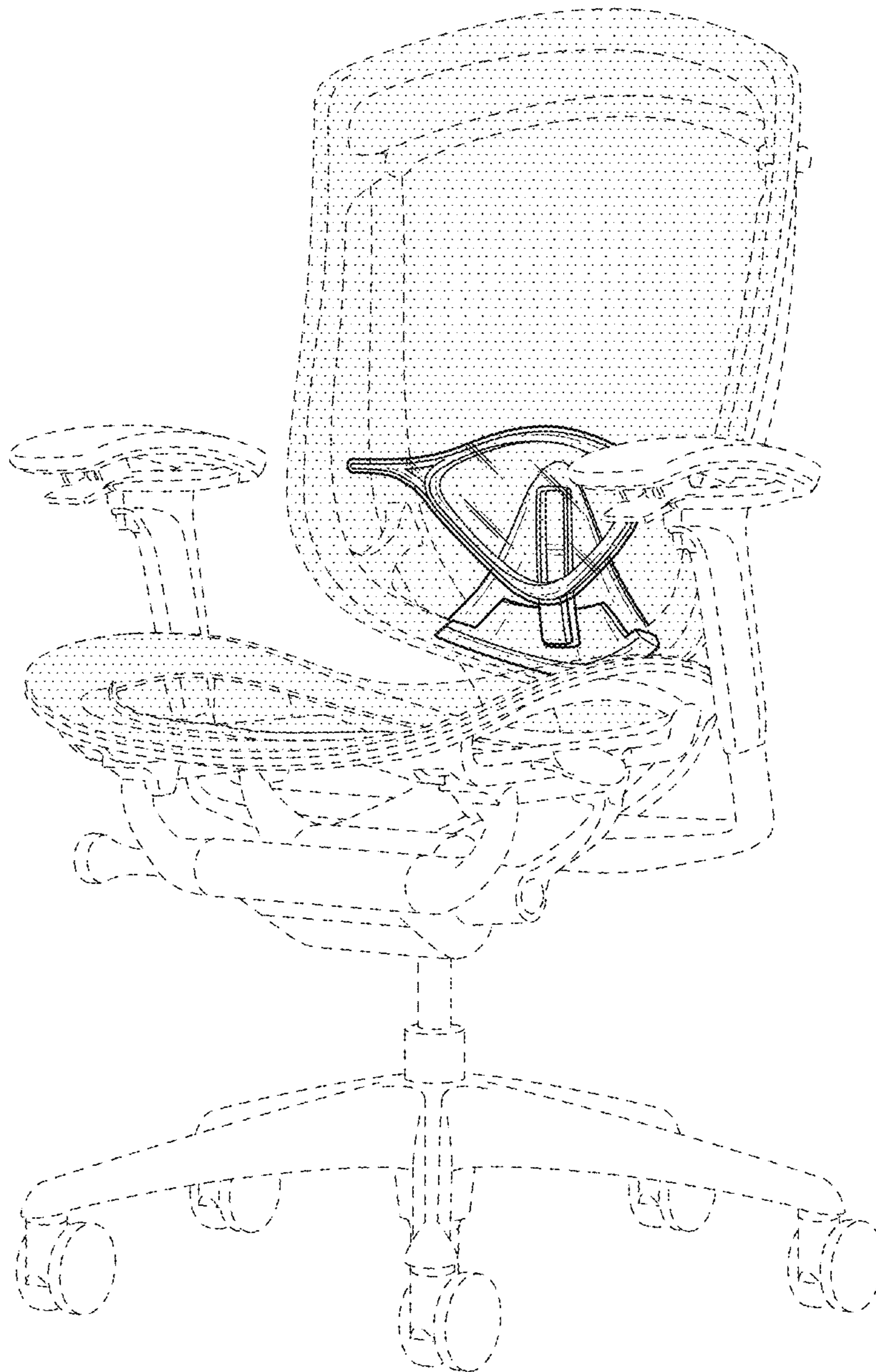


FIG. 2

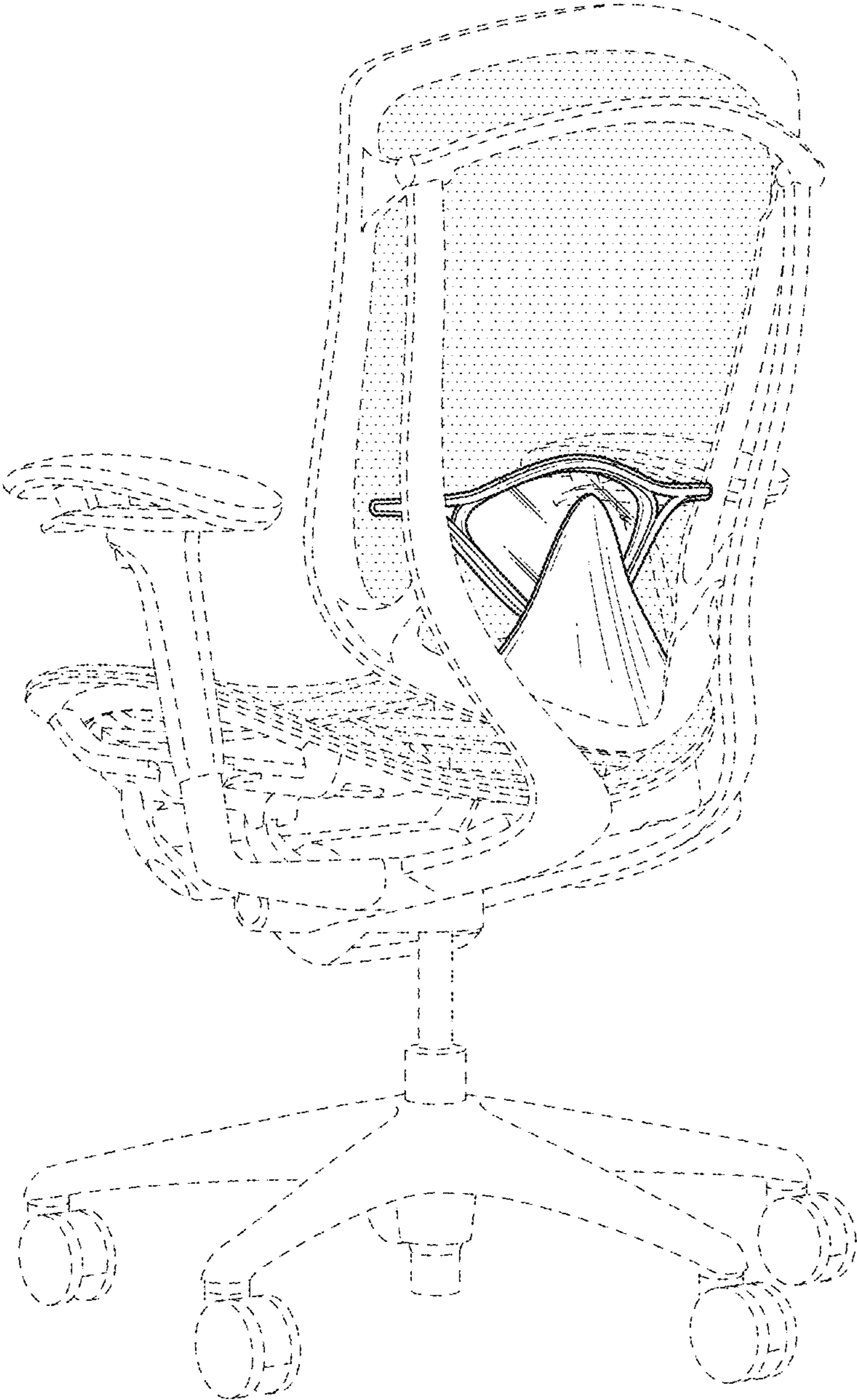


FIG. 3

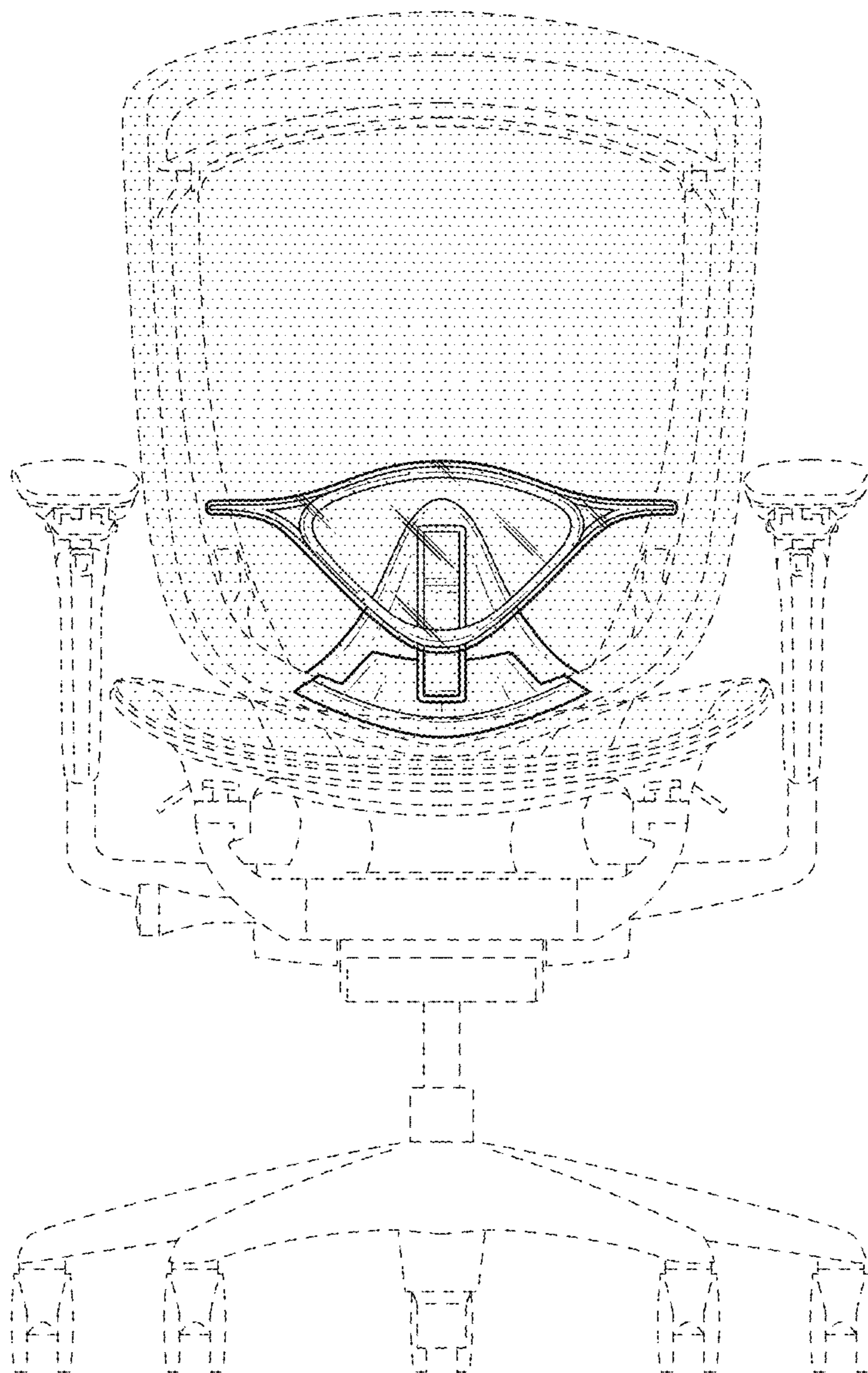


FIG. 4

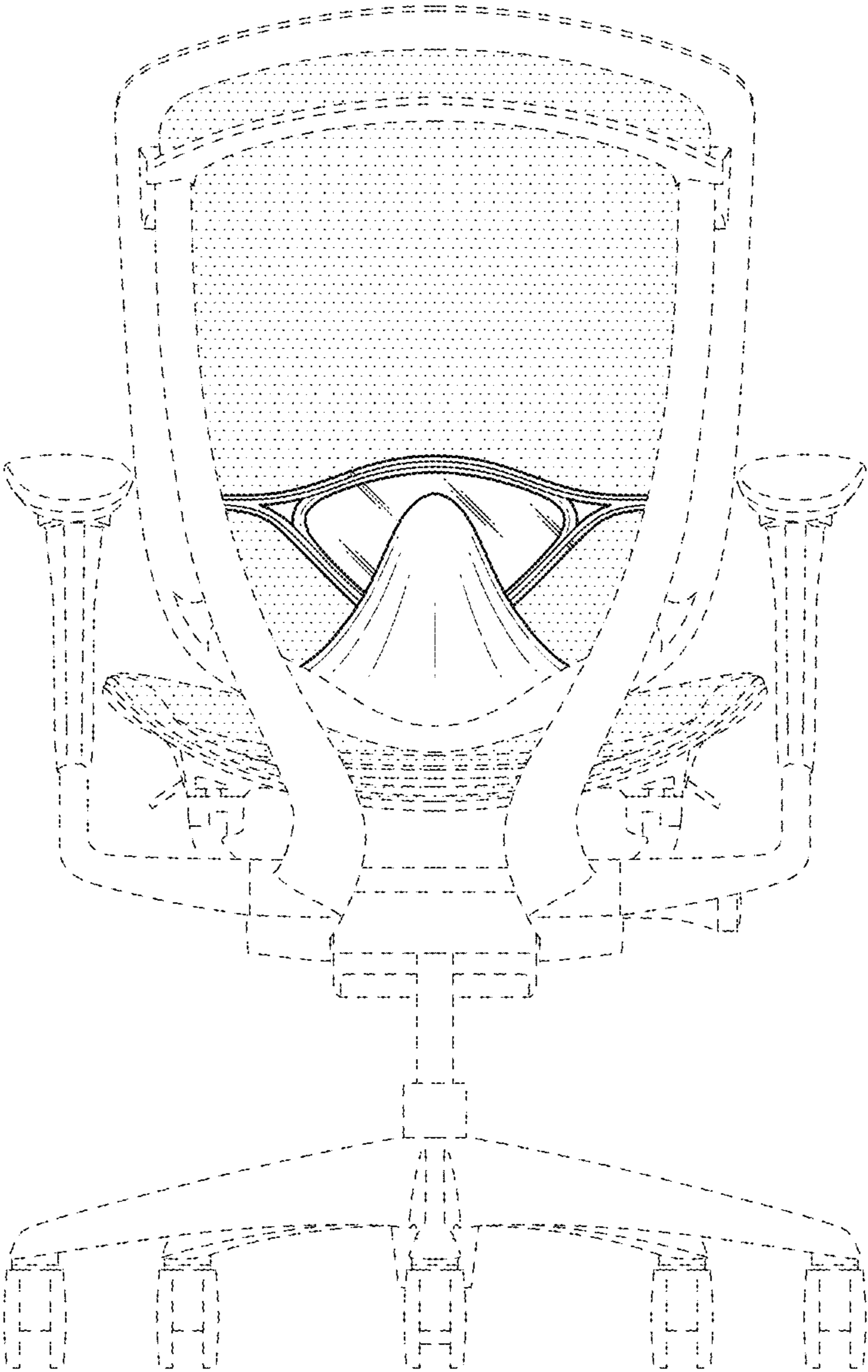


FIG. 5

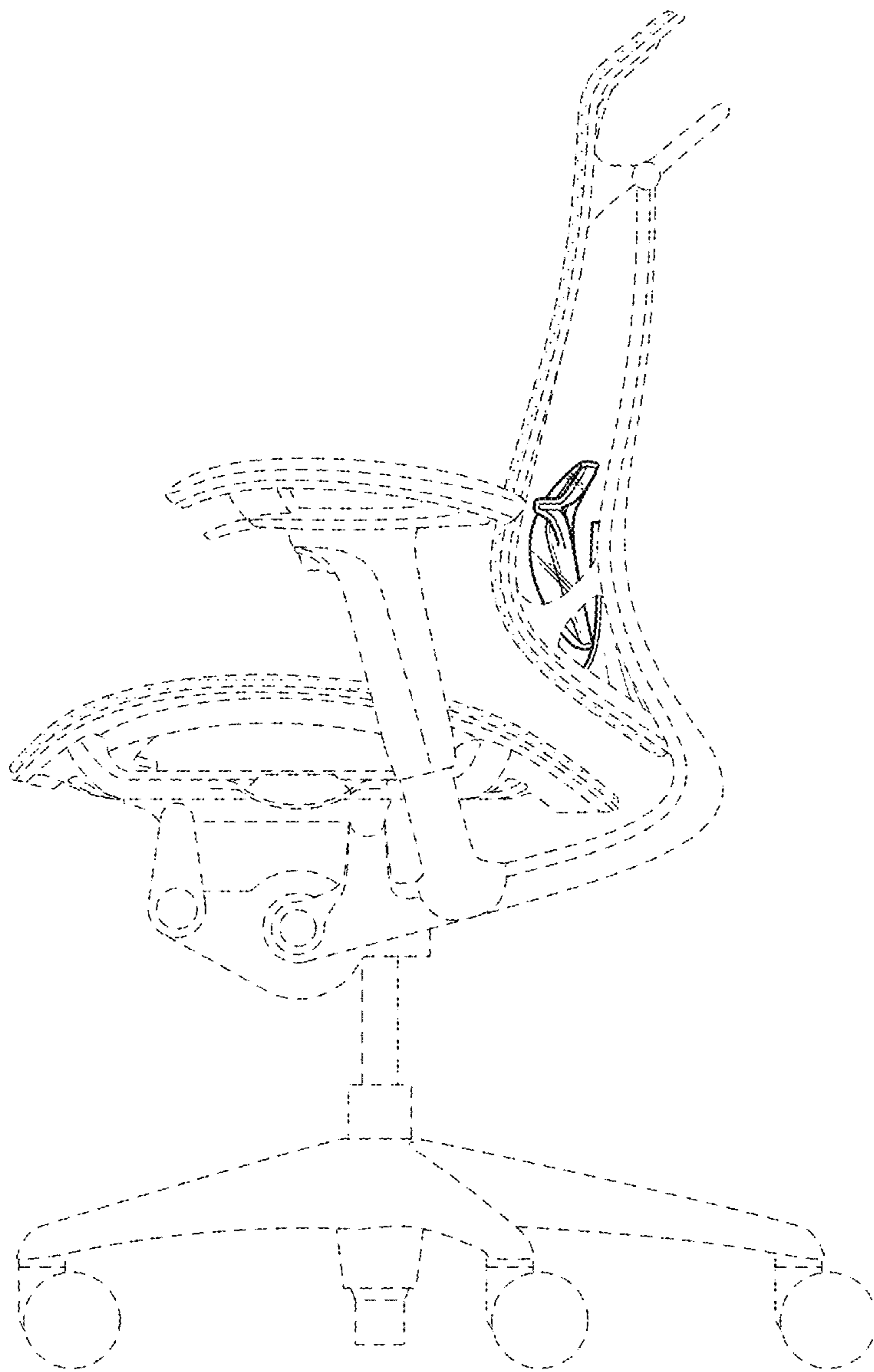


FIG. 6

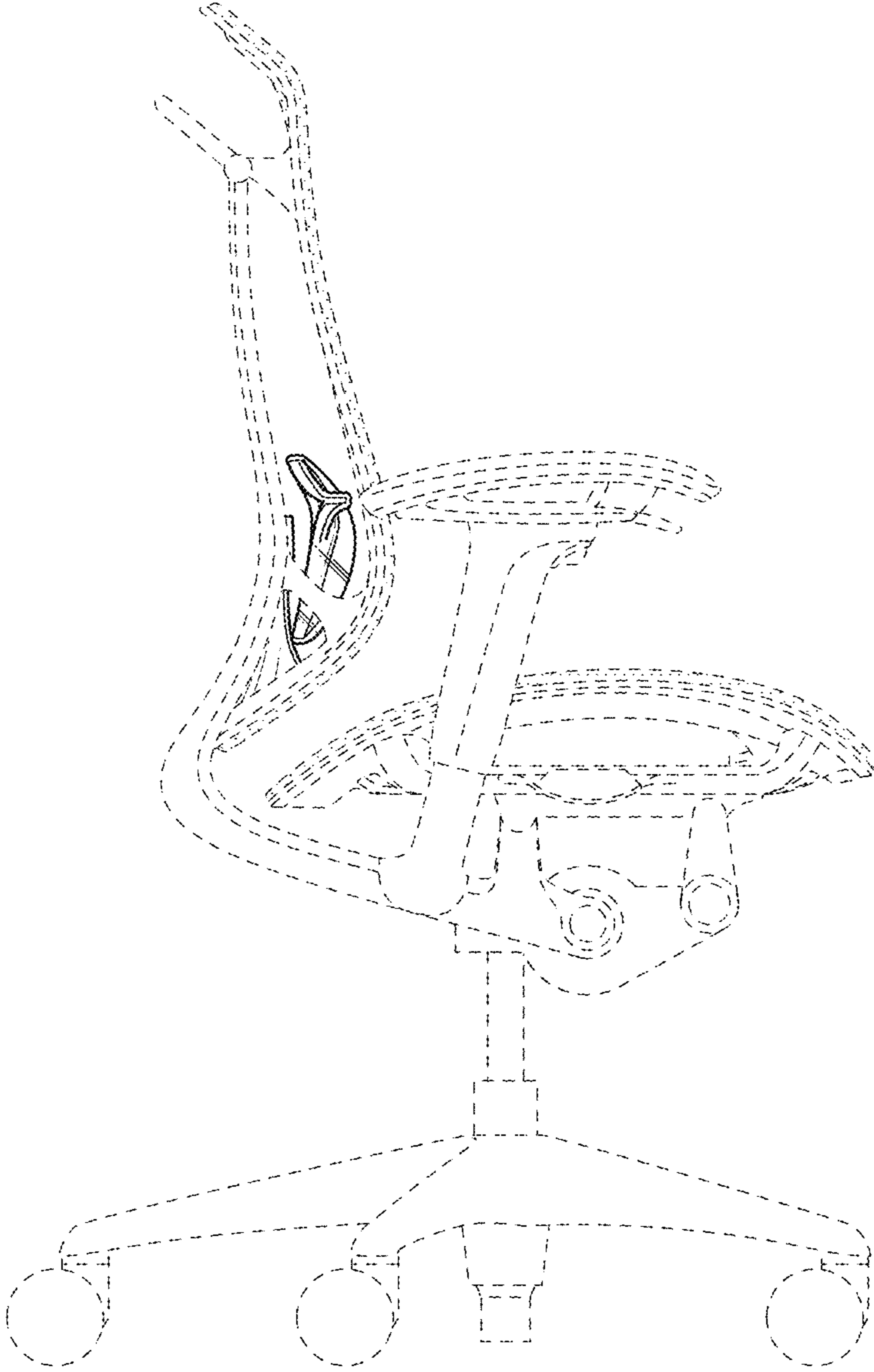


FIG. 7

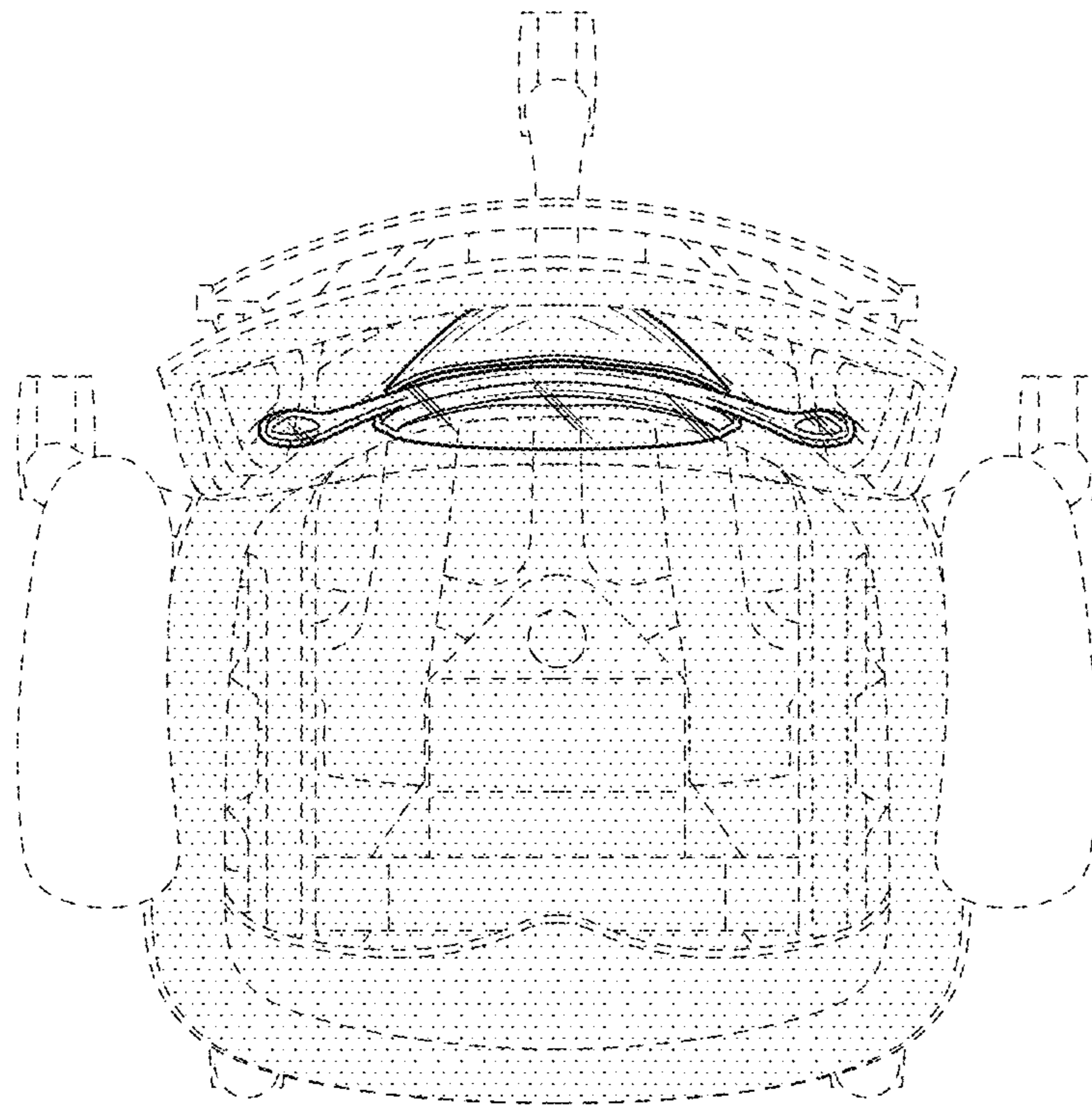


FIG. 8

