



US00D804879S

(12) **United States Design Patent**
Harlow

(10) **Patent No.:** **US D804,879 S**

(45) **Date of Patent:** **** Dec. 12, 2017**

(54) **CHAIR**

(71) Applicant: **Corecentric LLC**, Fort Lauderdale, FL
(US)

(72) Inventor: **Bryce Harlow**, Fort Lauderdale, FL
(US)

(73) Assignee: **Corecentric LLC**, Fort Lauderdale, FL
(US)

(**) Term: **15 Years**

(21) Appl. No.: **29/545,421**

(22) Filed: **Nov. 12, 2015**

(51) **LOC (10) Cl.** **06-01**

(52) **U.S. Cl.**
USPC **D6/716.4; D6/366**

(58) **Field of Classification Search**
USPC D6/334-336, 364, 365, 366, 374, 379,
D6/380, 716, 716.1, 716.2, 716.4, 716.5
CPC .. A47C 7/38; A47C 7/022; A47C 7/40; A47C
7/18; A47C 7/004; A47C 4/028; A47C
7/54; A47C 7/405; B60N 2/66
See application file for complete search history.

(56) **References Cited**

U.S. PATENT DOCUMENTS

D320,120 S *	9/1991	Samuelsson	D6/366
5,044,633 A	9/1991	Rice		
5,577,804 A	11/1996	Tedesco		
5,718,476 A	2/1998	De Pascal et al.		
5,908,221 A	6/1999	Neil		
6,092,871 A	7/2000	Beaulieu		
6,092,872 A	7/2000	Beaulieu		
6,168,237 B1	1/2001	Lamart et al.		
6,257,668 B1	7/2001	Chou et al.		
6,572,190 B2	6/2003	Koepke et al.		
6,709,058 B1	3/2004	Diffrient		
6,755,467 B1	6/2004	Chu		
6,799,803 B1	10/2004	Lee et al.		

6,811,218 B2	11/2004	Deiman et al.		
D501,333 S *	2/2005	Piretti	D6/366
6,848,744 B1	2/2005	Raftery et al.		
D509,975 S *	9/2005	Pan	D6/366

(Continued)

FOREIGN PATENT DOCUMENTS

WO WO-2012044010 4/2012

OTHER PUBLICATIONS

<http://www.gymgym.com/how-it-works>, last accessed Aug. 29, 2015.

(Continued)

Primary Examiner — Mimoso De

(74) *Attorney, Agent, or Firm* — Regitz Mauck PLLC

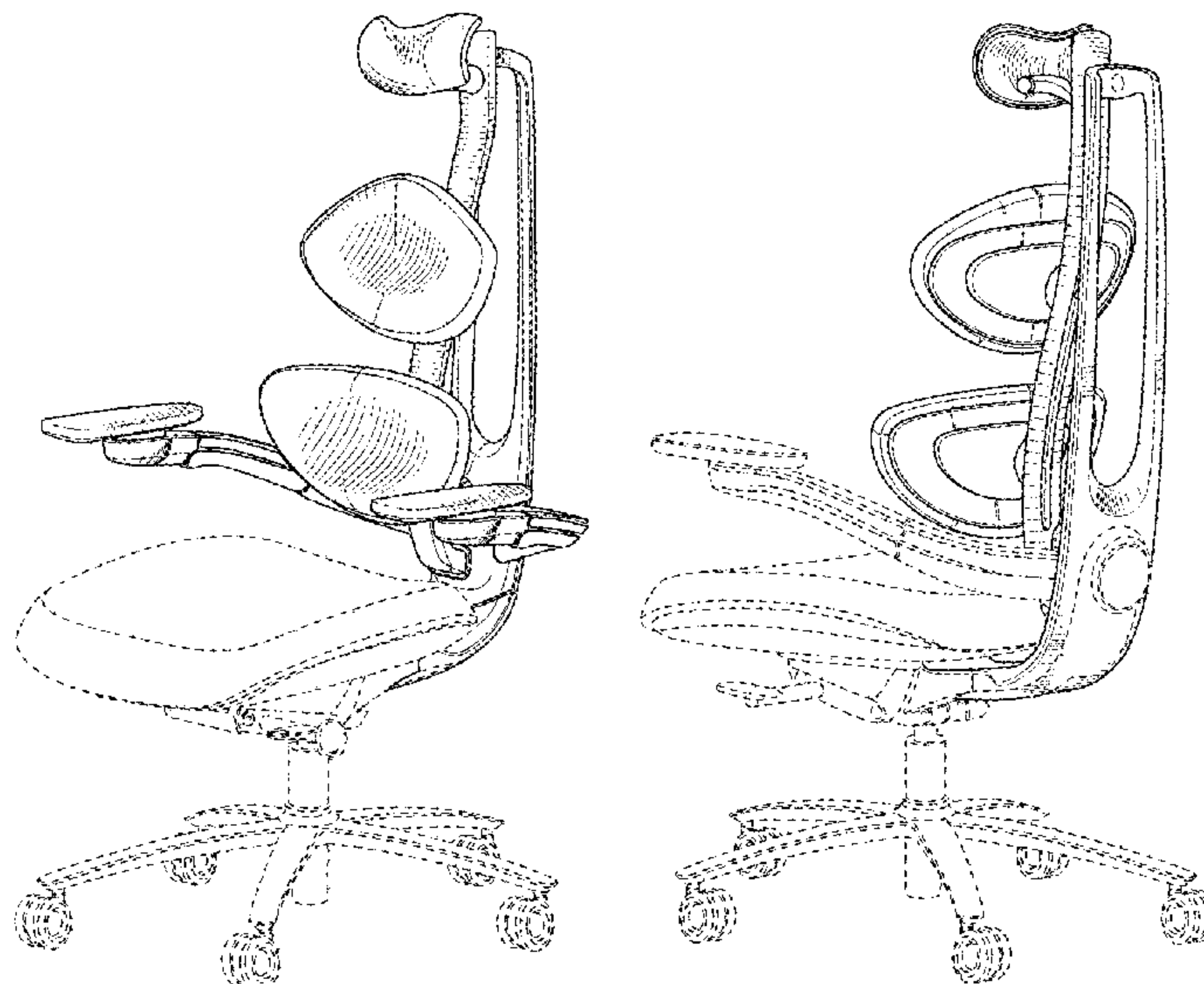
(57) **CLAIM**

I claim the ornamental design for a chair, as shown and described.

DESCRIPTION

FIG. 1 is a first perspective view of a chair embodying the present invention;
 FIG. 2 is a second perspective view of the chair;
 FIG. 3 is a front view of the chair;
 FIG. 4 is a back view of the chair;
 FIG. 5 is a first side view of the chair;
 FIG. 6 is a second side view of the chair;
 FIG. 7 is a top view of the chair;
 FIG. 8 is a bottom view of the chair;
 FIG. 9 is a first perspective view of another embodiment of the chair embodying the present invention;
 FIG. 10 is a second perspective view of the chair;
 FIG. 11 is a front view of the chair;
 FIG. 12 is a side view of the chair; and,
 FIG. 13 is a top view of the chair.
 The broken lines shown herein are for illustrative purposes only and form no part of the claimed design.

1 Claim, 12 Drawing Sheets



(56)

References Cited

U.S. PATENT DOCUMENTS

6,938,956 B1 * 9/2005 Piretti A47C 7/38
 297/230.14
 D512,231 S * 12/2005 Landin Lorentzen D6/366
 7,025,424 B2 4/2006 Harley
 7,040,703 B2 5/2006 Sanchez
 7,195,583 B2 3/2007 Leib
 7,322,907 B2 1/2008 Bowser
 7,396,082 B2 * 7/2008 Sanchez A47C 7/405
 297/284.4
 7,416,251 B2 8/2008 Chu
 7,475,946 B2 1/2009 Diffrient
 7,712,833 B2 5/2010 Ueda
 D623,449 S 9/2010 Diffrient
 7,841,665 B2 10/2010 Geister et al.
 7,874,619 B2 1/2011 Harley
 7,909,402 B2 3/2011 Chu et al.
 7,963,609 B2 6/2011 Jinkun
 7,980,631 B2 7/2011 Diffrient
 7,998,045 B2 8/2011 Splane
 8,104,837 B2 1/2012 Diffrient
 8,162,402 B2 4/2012 Yamauchi
 D659,421 S * 5/2012 Pan D6/366
 D660,056 S 5/2012 Diffrient
 D661,916 S * 6/2012 Chen D6/366
 8,439,442 B2 5/2013 Highlander et al.
 D694,537 S 12/2013 Smith et al.
 D697,730 S 1/2014 Smith et al.
 8,696,534 B2 4/2014 Karwan
 8,905,906 B2 12/2014 Man et al.
 8,944,977 B2 2/2015 Foster et al.
 8,967,724 B2 3/2015 Battey et al.

9,004,597 B2 4/2015 Battey et al.
 9,010,859 B2 4/2015 Battey et al.
 D763,588 S * 8/2016 Chen D6/366
 2002/0117883 A1 8/2002 Gevaert
 2011/0266853 A1 11/2011 Zhou
 2013/0005550 A1 1/2013 Nagy
 2013/0045845 A1 2/2013 Verheem
 2013/0169016 A1 7/2013 Meyuhas

OTHER PUBLICATIONS

[http://www.teknion.com/products/product-
 details?productId=745a336e-8e7a-673b-a6c8-ff00004460c4](http://www.teknion.com/products/product-details?productId=745a336e-8e7a-673b-a6c8-ff00004460c4),
 last accessed Nov. 23, 2015 (Contessa).
[http://www.teknion.com/products/product-
 details?productId=0f5b336e-8e7a-673b-a6c8-ff00004460c4](http://www.teknion.com/products/product-details?productId=0f5b336e-8e7a-673b-a6c8-ff00004460c4),
 last accessed Nov. 23, 2015 (Fitz).
[http://www.teknion.com/products/product-
 details?productId=b45c336e-8e7a-673b-a6c8-ff00004460c4](http://www.teknion.com/products/product-details?productId=b45c336e-8e7a-673b-a6c8-ff00004460c4),
 last accessed Nov. 23, 2015 (Projek).
<http://www.hermanmiller.com/products/seating.html>, last accessed
 Nov. 23, 2015.
[http://www.teknion.com/products/product-
 details?productId=4b5d336e-8e7a-673b-a6c8-ff00004460c4](http://www.teknion.com/products/product-details?productId=4b5d336e-8e7a-673b-a6c8-ff00004460c4),
 last accessed Nov. 23, 2015 (RBT).
 “Teknion—RBT,” Brochure, 2012, Teknion.
 “Shadow—True Response Support System,” Brochure, Feb. 2,
 2012, Global U.S.A.
 U.S. Appl. No. 14/029,189, filed Sep. 17, 2013 to Bryce Harlow (not
 attached because the application has not been published).

* cited by examiner

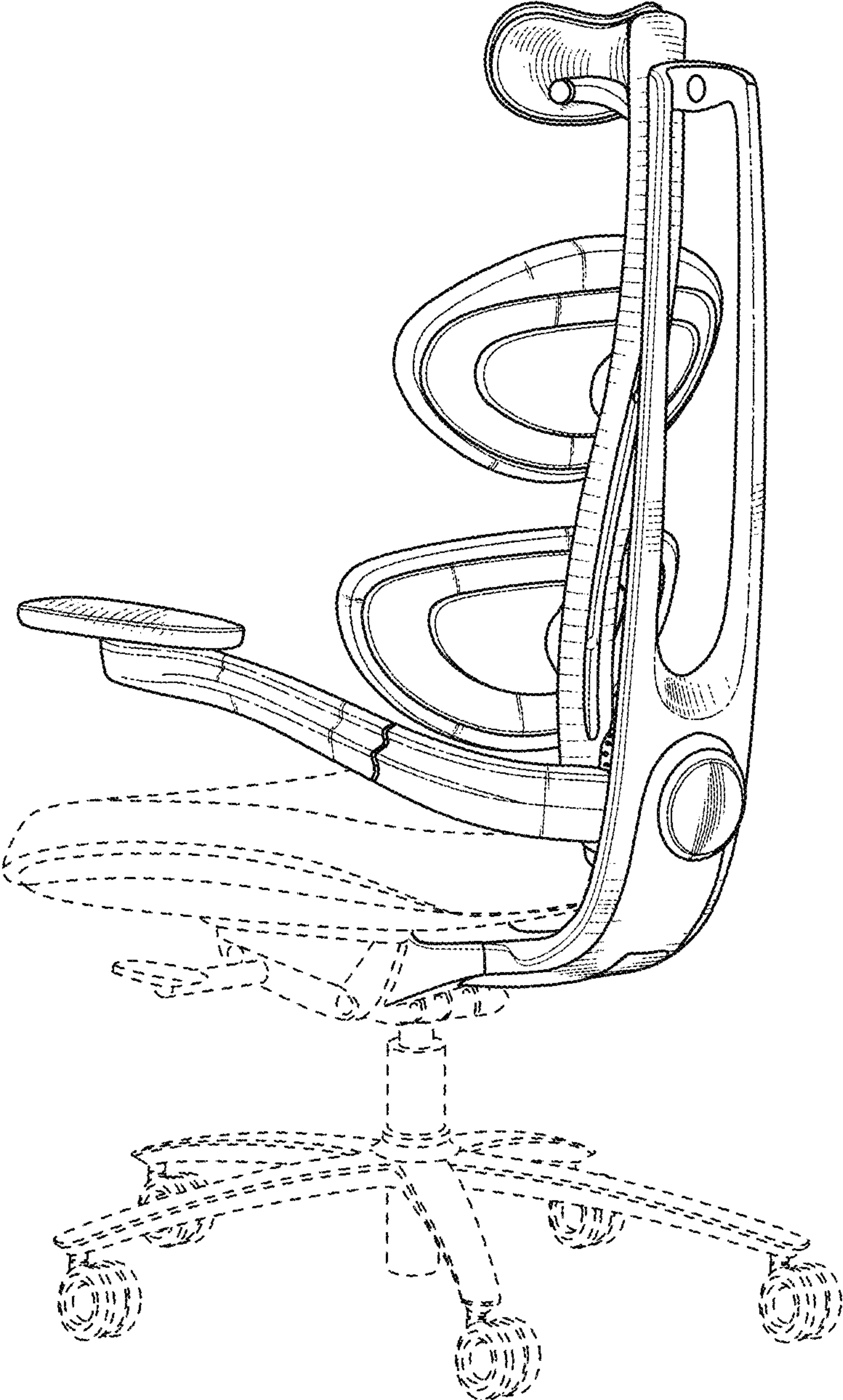


FIG. 1

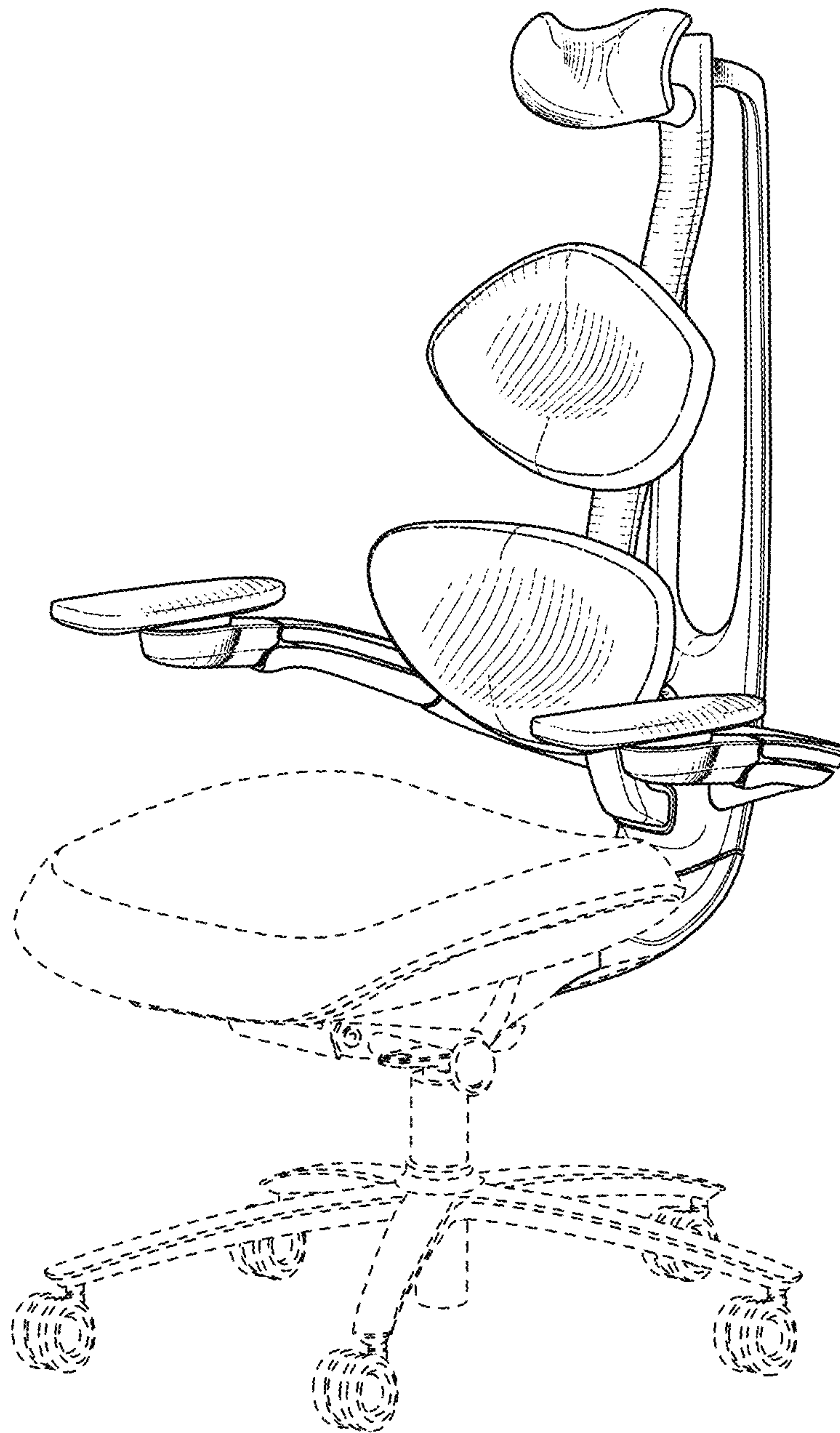


FIG. 2

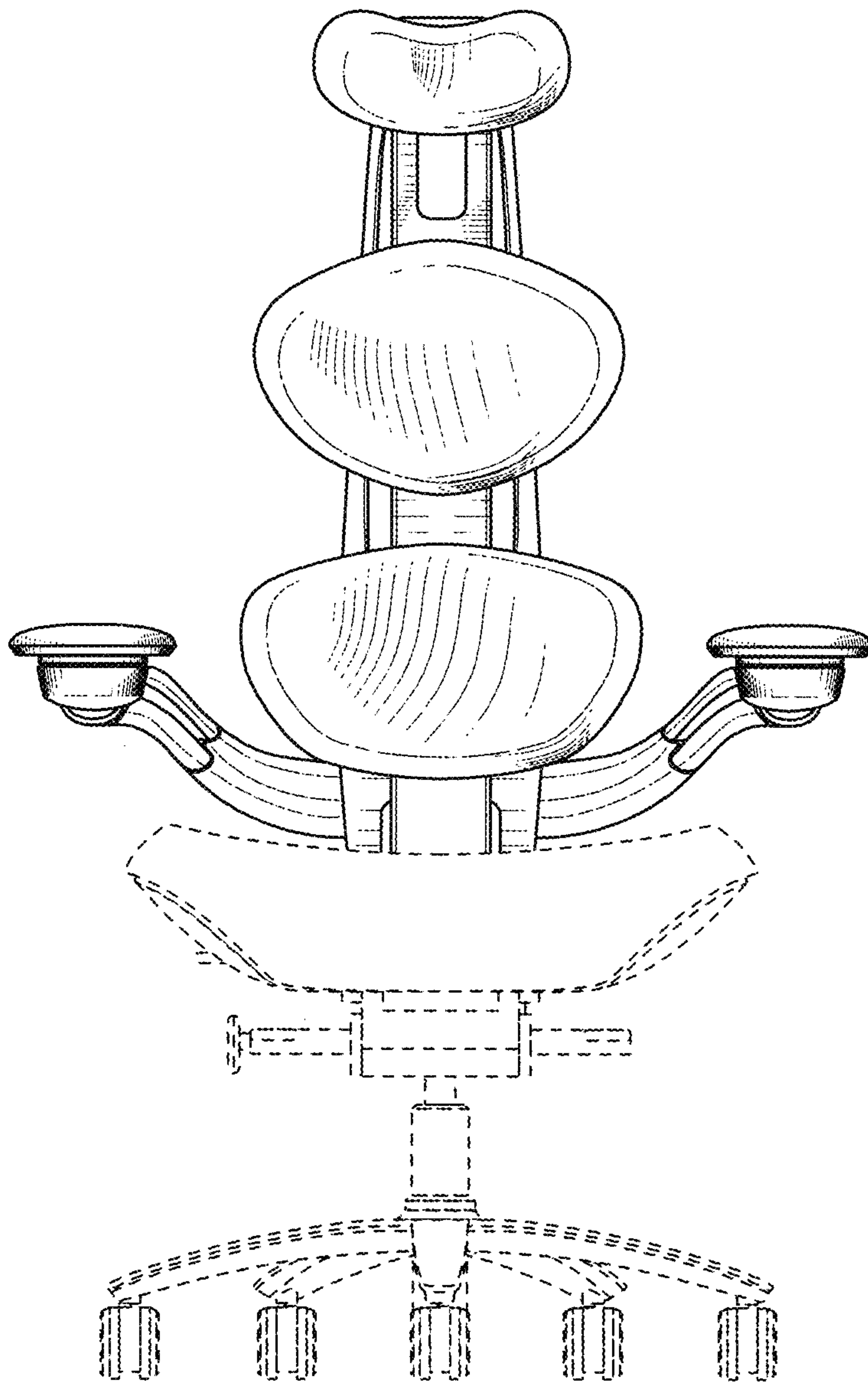


FIG. 3

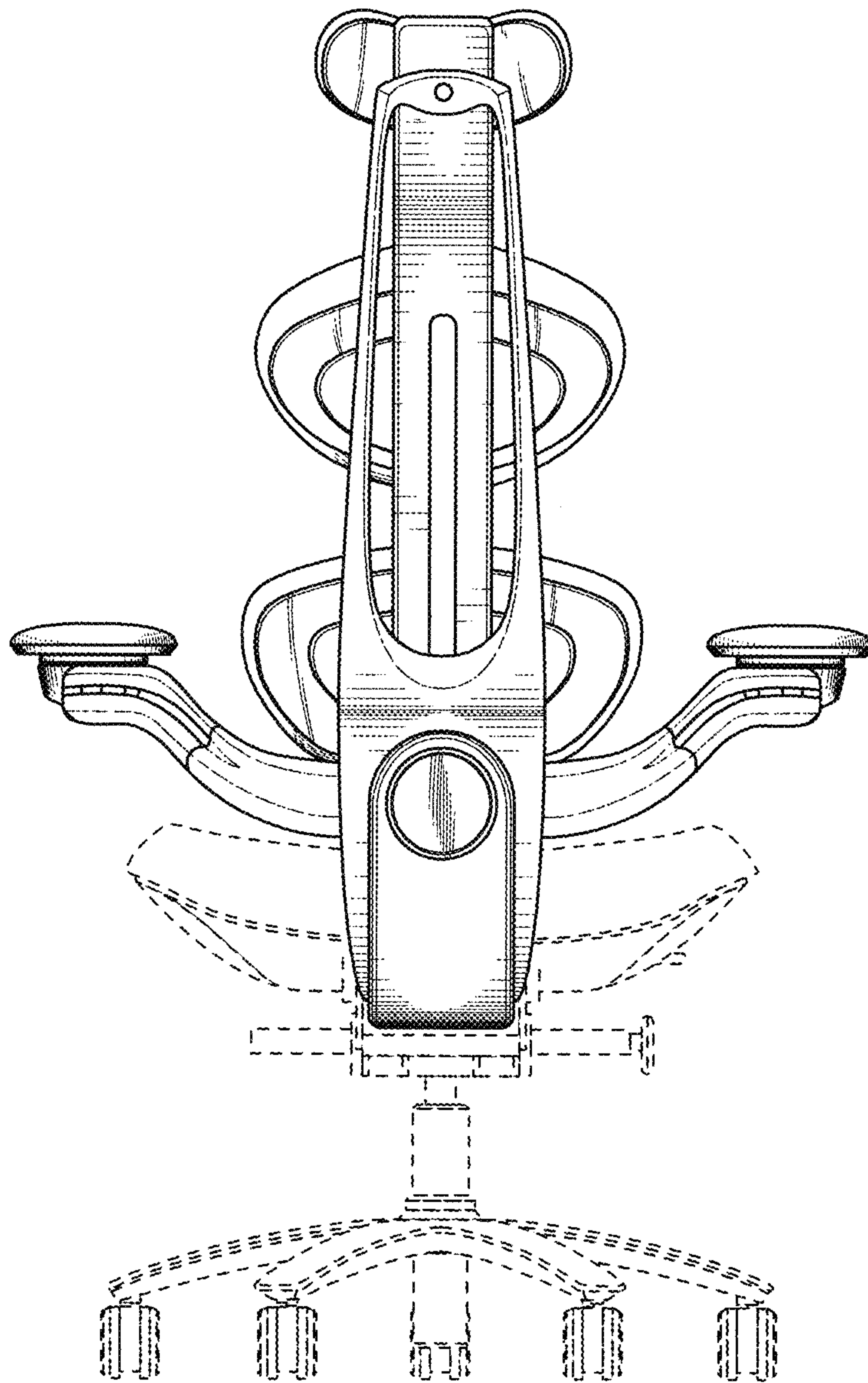


FIG. 4

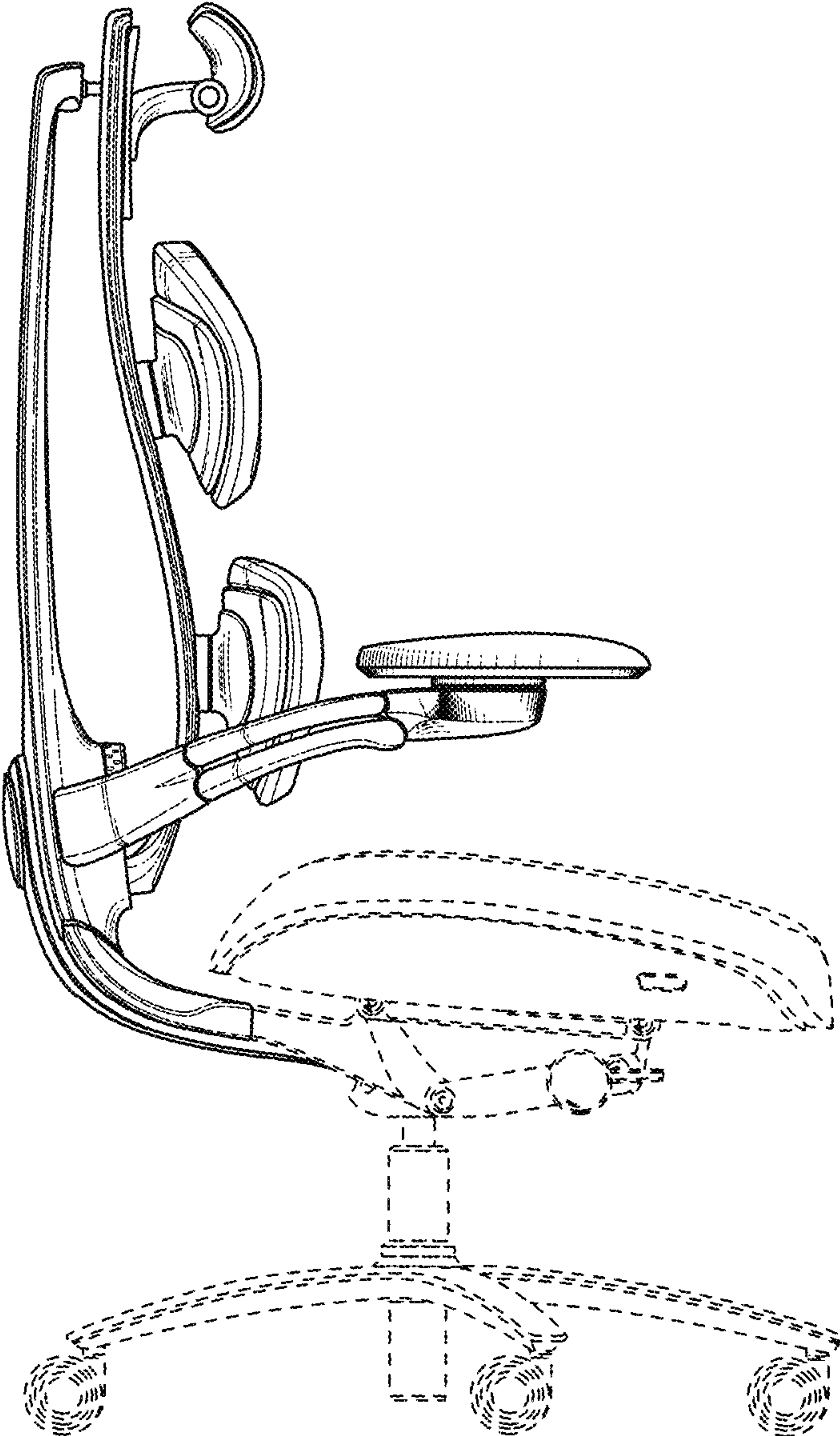


FIG. 5

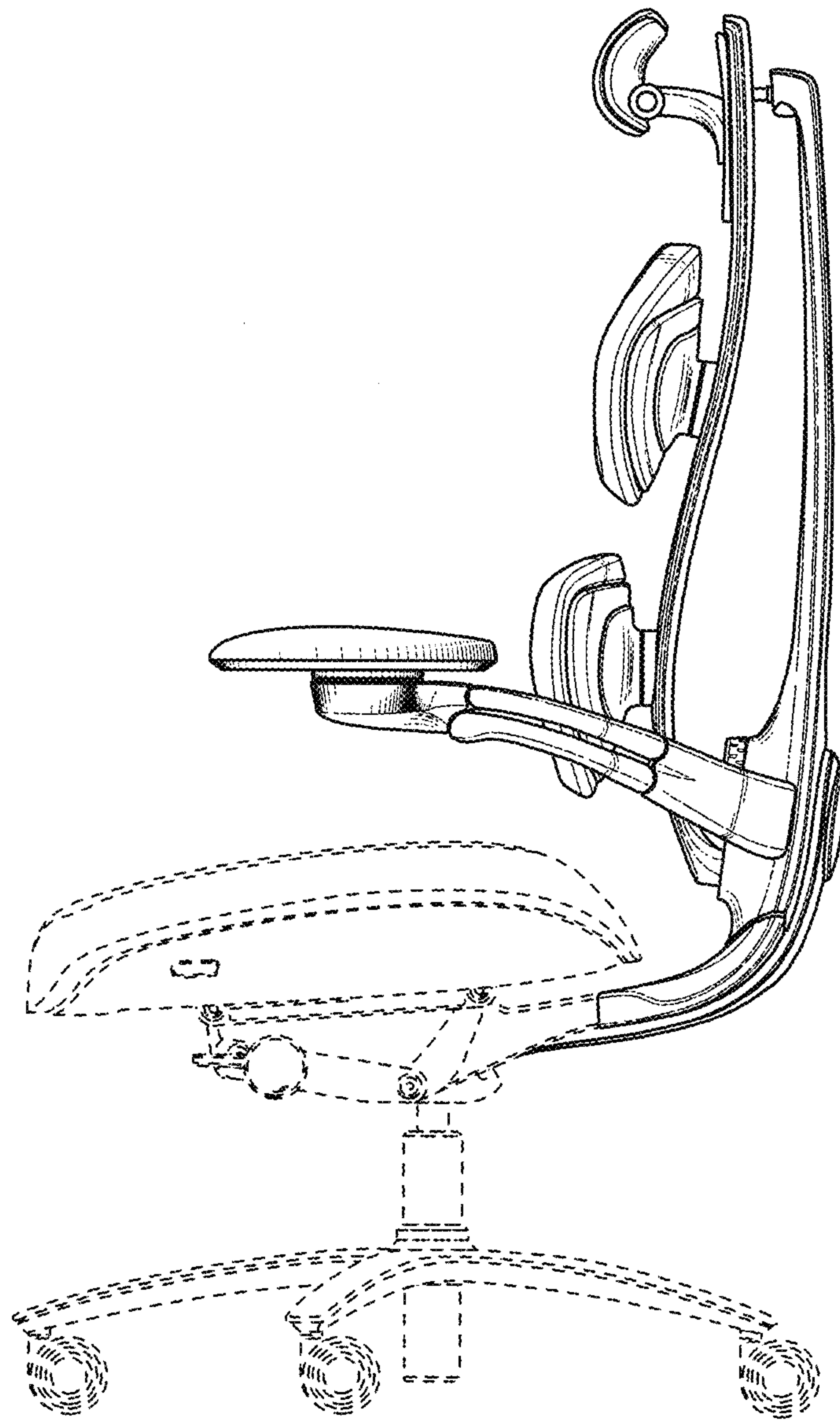


FIG. 6

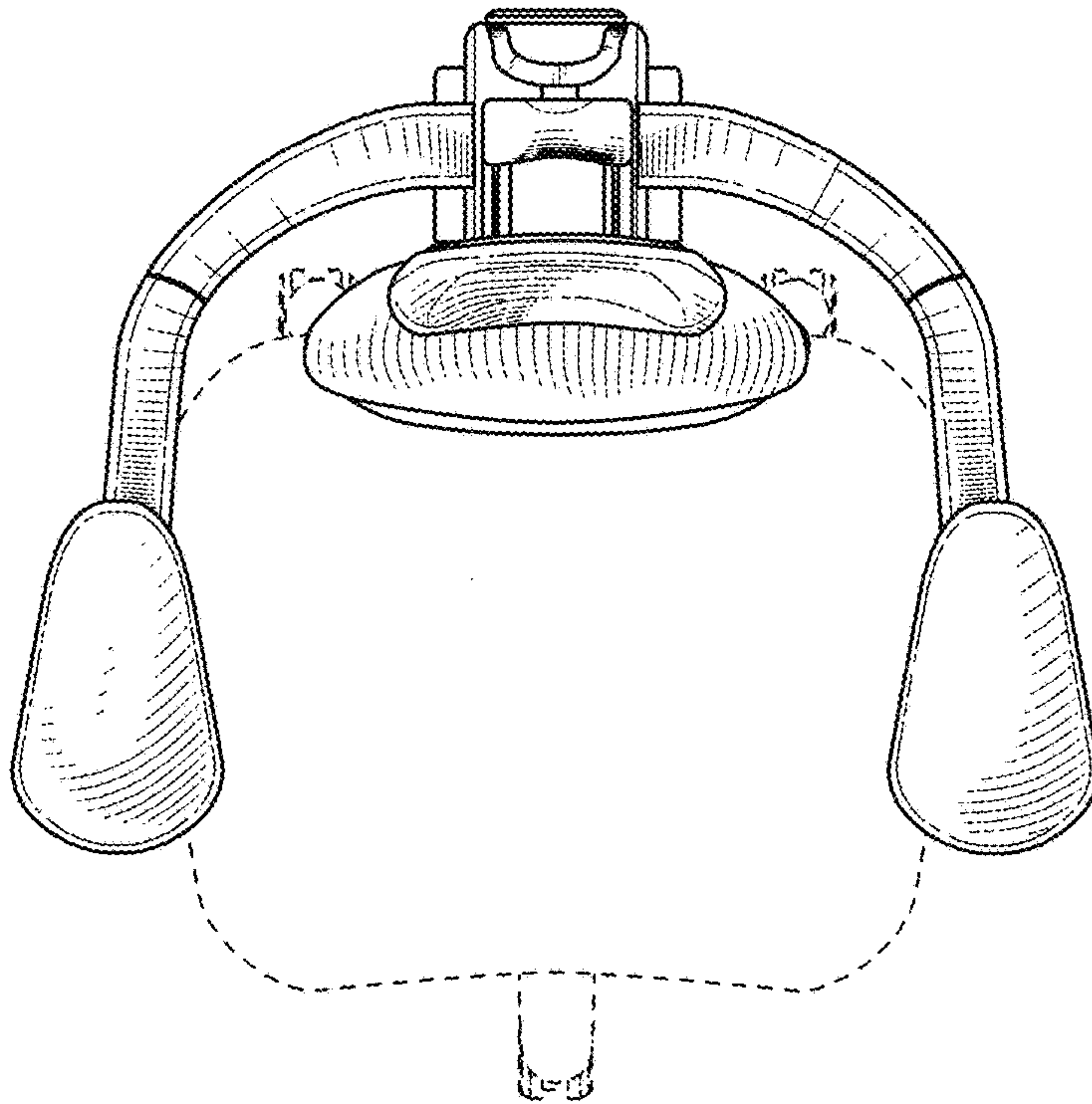


FIG. 7

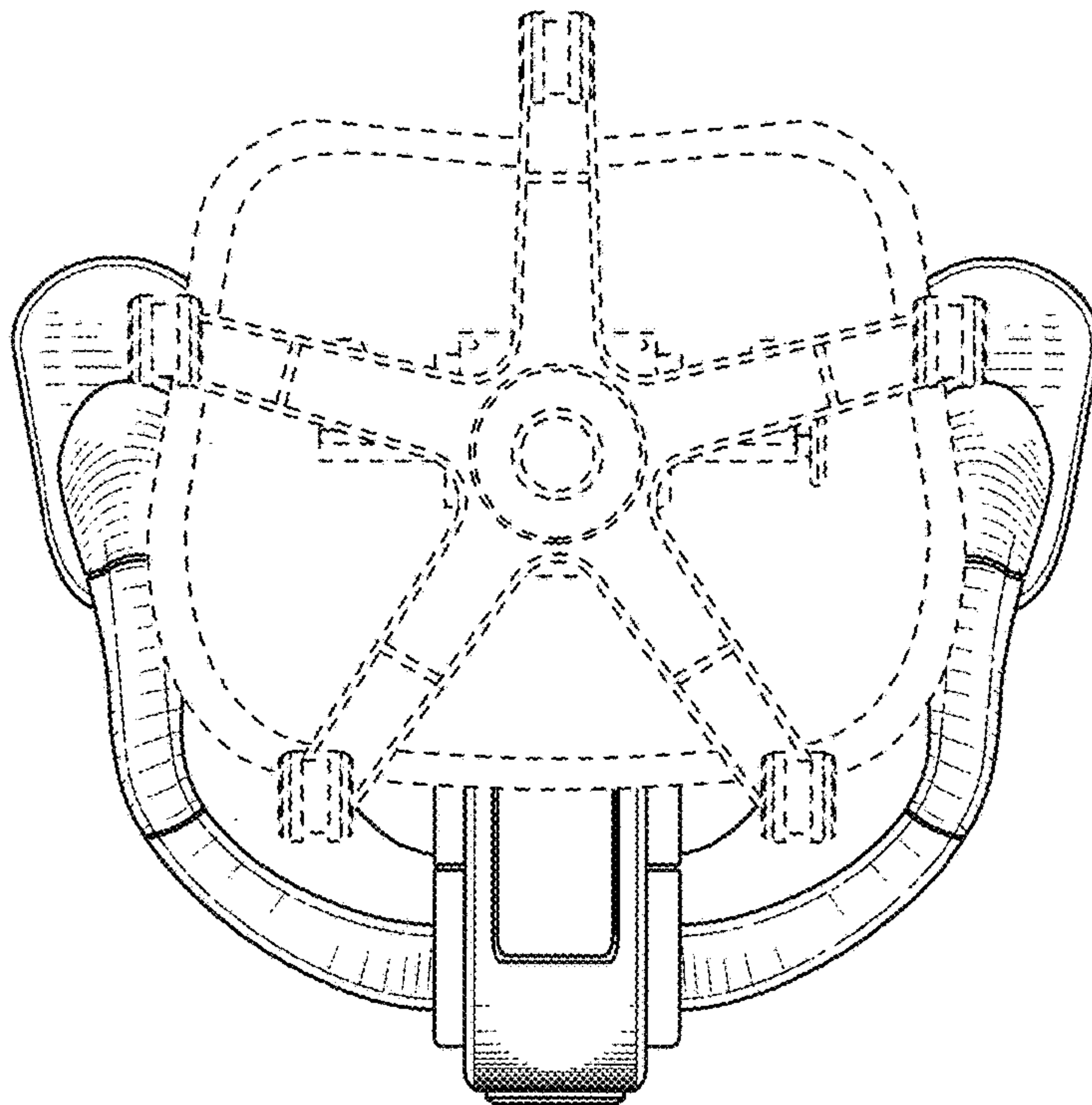


FIG. 8

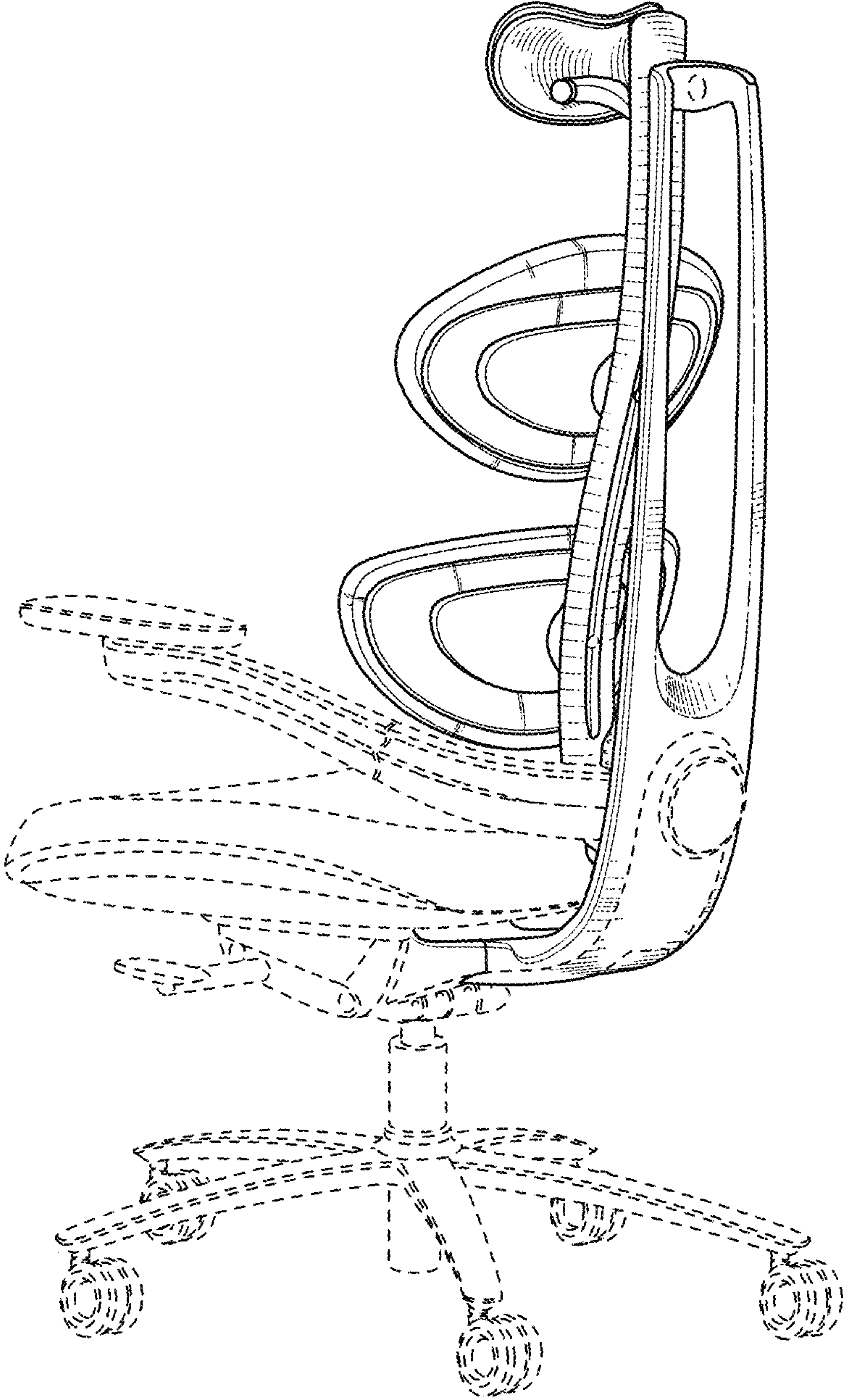


FIG. 9

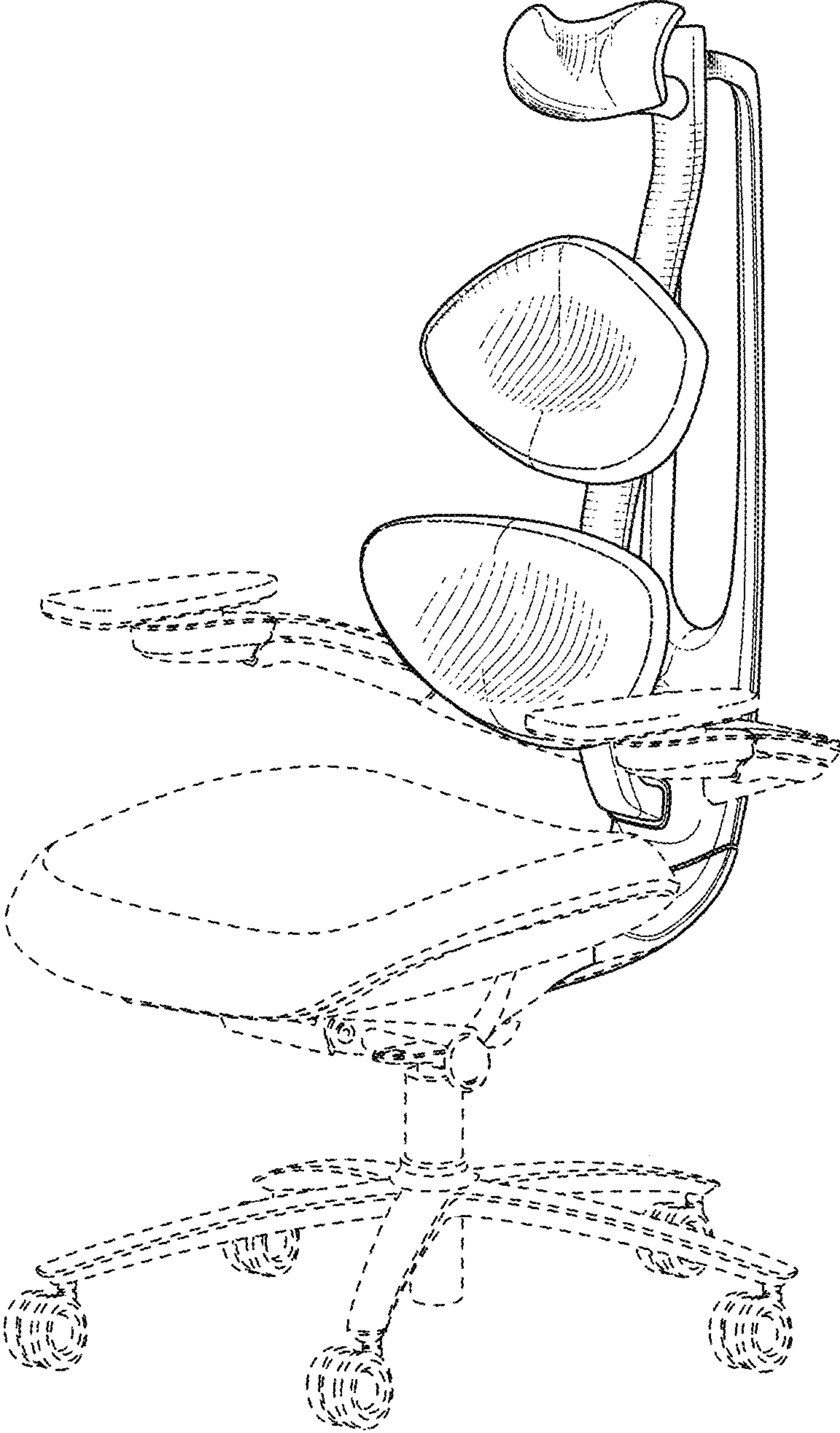


FIG. 10

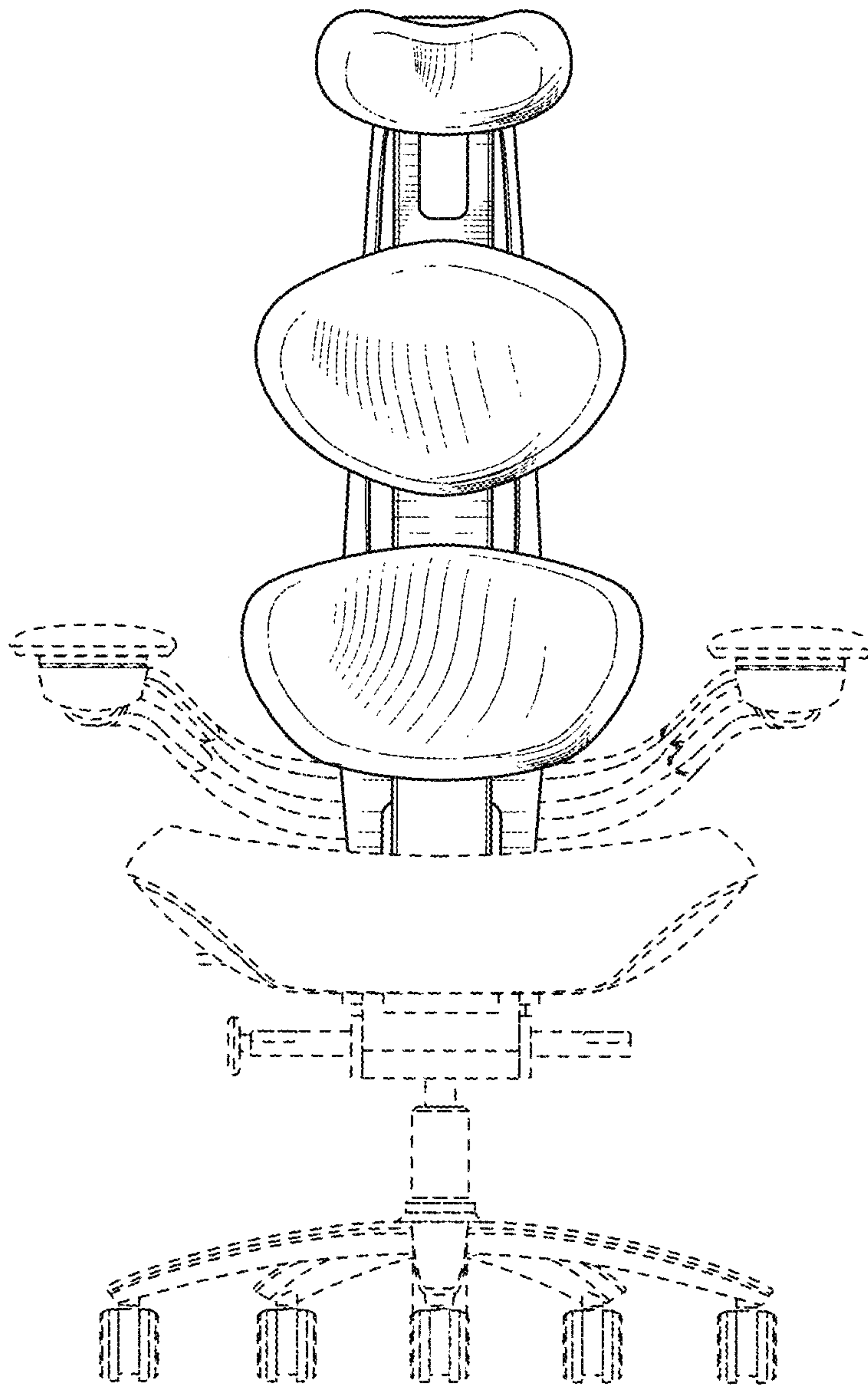


FIG. 11

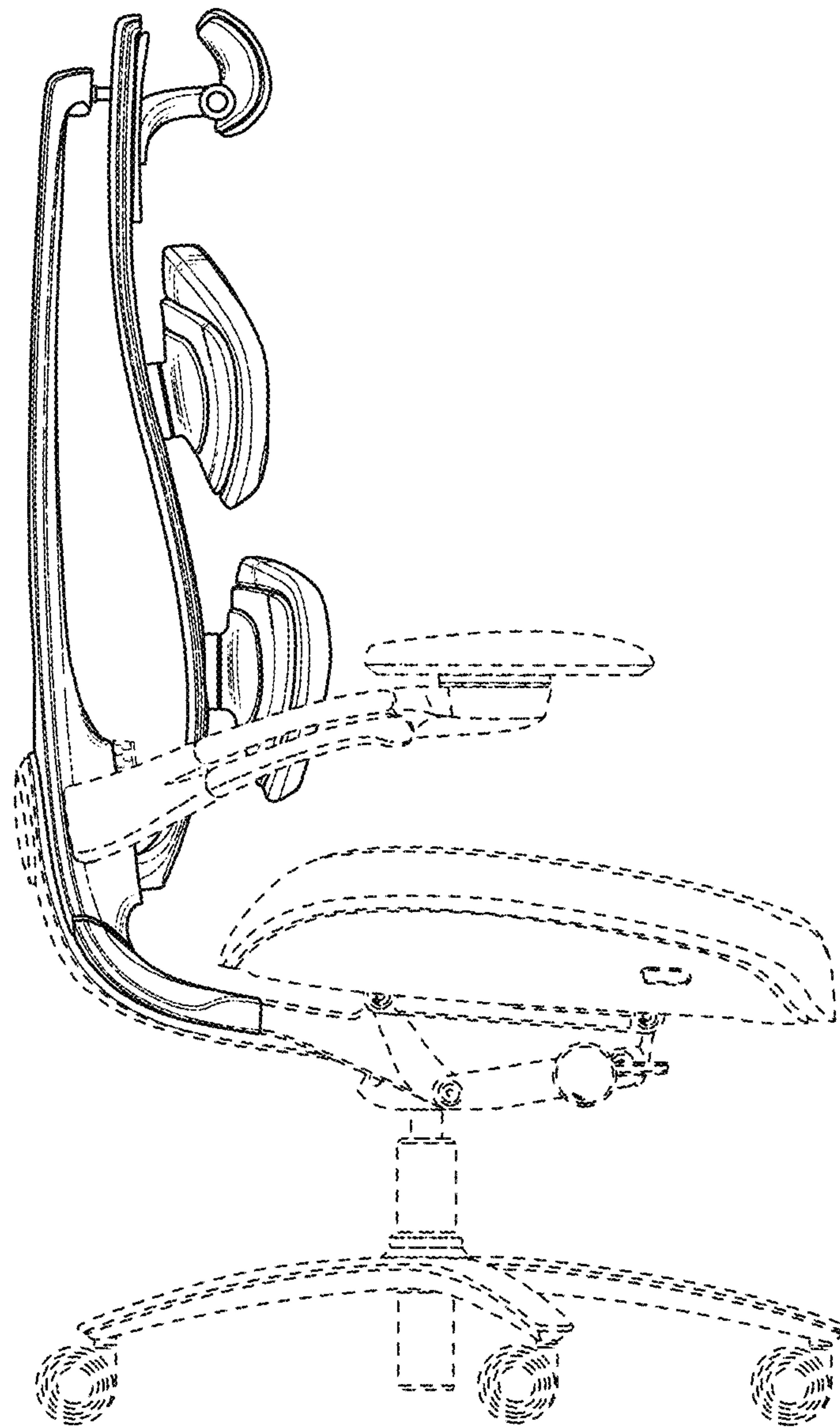


FIG. 12

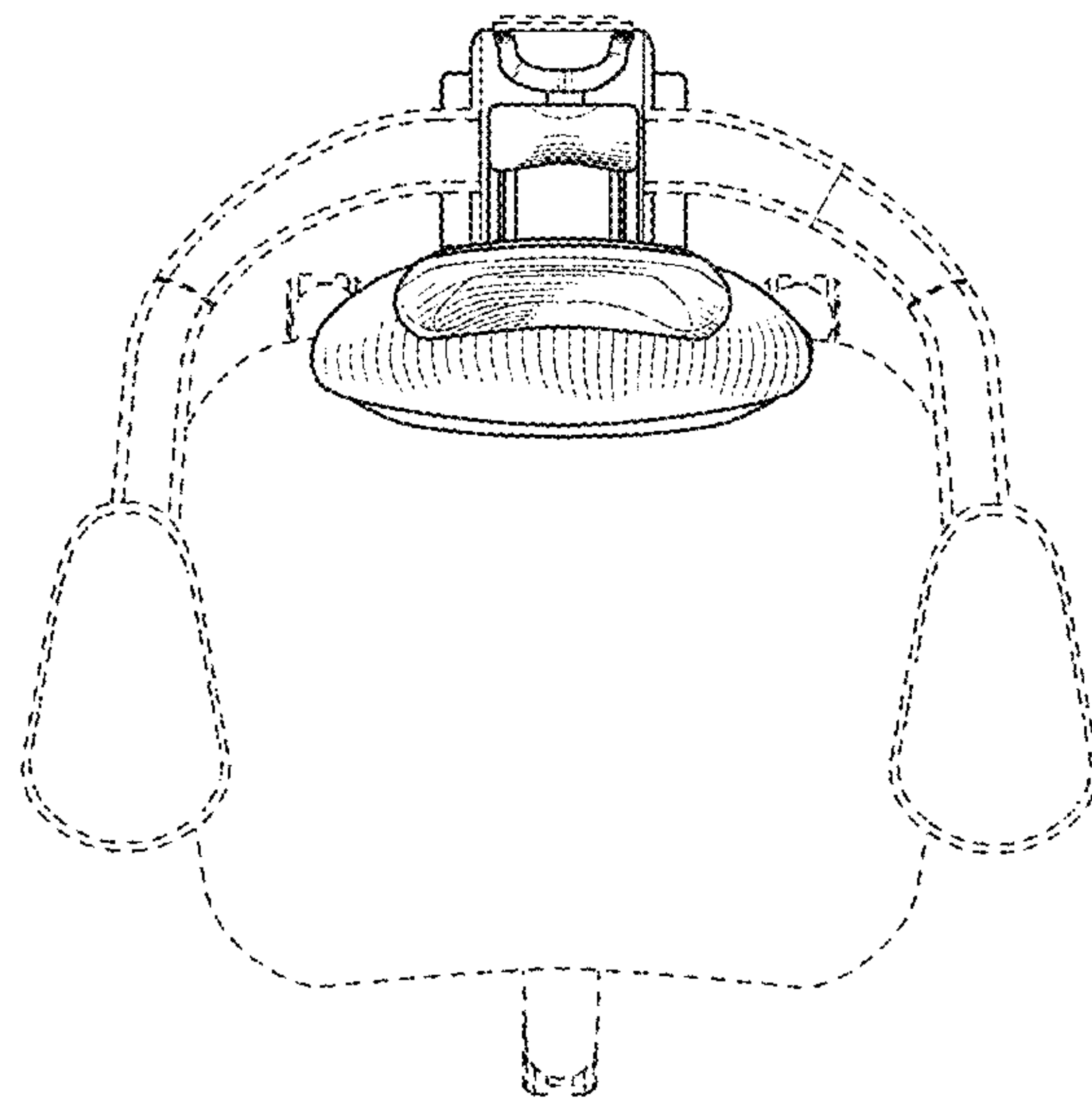


FIG. 13