



US00D804878S

(12) **United States Design Patent**
Nakamura et al.

(10) **Patent No.:** **US D804,878 S**

(45) **Date of Patent:** **** Dec. 12, 2017**

(54) **CHAIR**

(71) Applicant: **ITOKI CORPORATION**, Osaka-shi,
Osaka (JP)

(72) Inventors: **Yasuhiro Nakamura**, Tokyo (JP);
Keisuke Tanaka, Osaka (JP);
Yoshihiro Matsuzawa, Hakusan (JP);
Minoru Hashimoto, Osaka (JP)

(73) Assignee: **ITOKI CORPORATION**, Osaka-shi,
Osaka (JP)

(**) Term: **15 Years**

(21) Appl. No.: **29/562,574**

(22) Filed: **Apr. 27, 2016**

(30) **Foreign Application Priority Data**

Nov. 7, 2015 (JP) 2015-024912

(51) **LOC (10) Cl.** **06-06**

(52) **U.S. Cl.**
USPC **D6/716.2**

(58) **Field of Classification Search**
USPC ... D6/374, 375, 403, 405, 406.6, 654-654.1,
D6/678-678.2, 682.1-682.6, 684-686,
D6/691, 691.8-691.9, 698, 699, 705,
D6/705.5, 707.19, 708, 708.21, 716;
297/284.4, 452.26, 452.28, 452.32-33,
297/452.37
CPC A47C 7/02; A47C 7/44; A47C 7/46; A47C
7/48; A47C 7/54; A47C 7/386; A47C
7/462; A47C 1/10; A47C 1/031; B60N
2/02; B60N 2/22; B60N 2/44
See application file for complete search history.

(56) **References Cited**

U.S. PATENT DOCUMENTS

D417,349 S * 12/1999 Donati D6/366
D500,218 S * 12/2004 Koepke D6/366
D507,908 S * 8/2005 Koepke D6/366

D606,345 S * 12/2009 Tsai D6/366
D650,619 S * 12/2011 Hazzard D6/716.3
D707,479 S * 6/2014 Egger D6/716.2
D771,989 S * 11/2016 Giugiaro D6/716.2
D779,248 S * 2/2017 Welsh D6/716.2

OTHER PUBLICATIONS

Tremost [online] Retrieved on Apr. 14, 2017 from URL <http://tremost.com/i/2016/10/cute-mfo-mid-back-white-mesh-task-chair-arms-and-chrome-base-chairs-out-casters-cheap-without-office-leather-with-student-amazon-armless-canada.jpg>.
Bizchair [online] Retrieved on Apr. 14, 2017 from URL <http://www.bizchair.com/h-2376-f-bk-arms-gg.html>.
Piniming [online] Retrieved on Apr. 14, 2017 from URL <https://s-media-cache-ak0.pinimg.com/236x/d5/23/26/d5232623c0cc262e659c98313d772ace.jpg>.

* cited by examiner

Primary Examiner — Manpreet Matharu

Assistant Examiner — Keith Wilson

(74) *Attorney, Agent, or Firm* — Drinker Biddle & Reath
LLP

(57) **CLAIM**

The ornamental design for a chair, as shown and described.

DESCRIPTION

FIG. 1 is a perspective view of the top, front and right side of a chair showing our new design;
FIG. 2 is a perspective view of the top, rear and left side thereof;
FIG. 3 is a front view thereof;
FIG. 4 is a rear view thereof;
FIG. 5 is a top plan view thereof;
FIG. 6 is a bottom plan view thereof;
FIG. 7 is a right side view thereof, a left side view being a mirror image thereof; and,
FIG. 8 is an enlarged end view of the portion 8 in FIG. 7 taken along the line 8-8 in FIG. 5.
The dash-dash broken lines represent environment only and form no part of the claim.

1 Claim, 8 Drawing Sheets

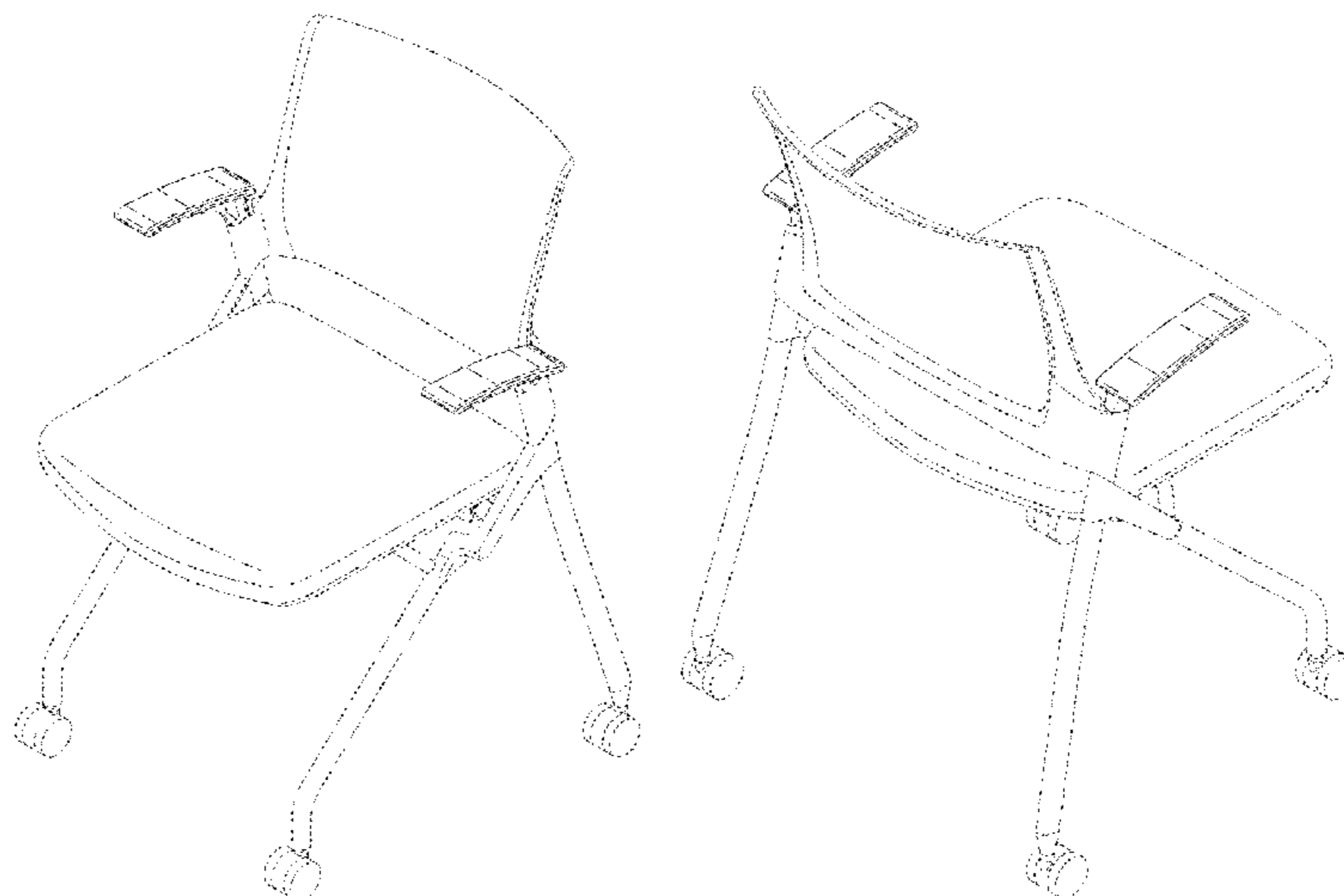


Fig. 1

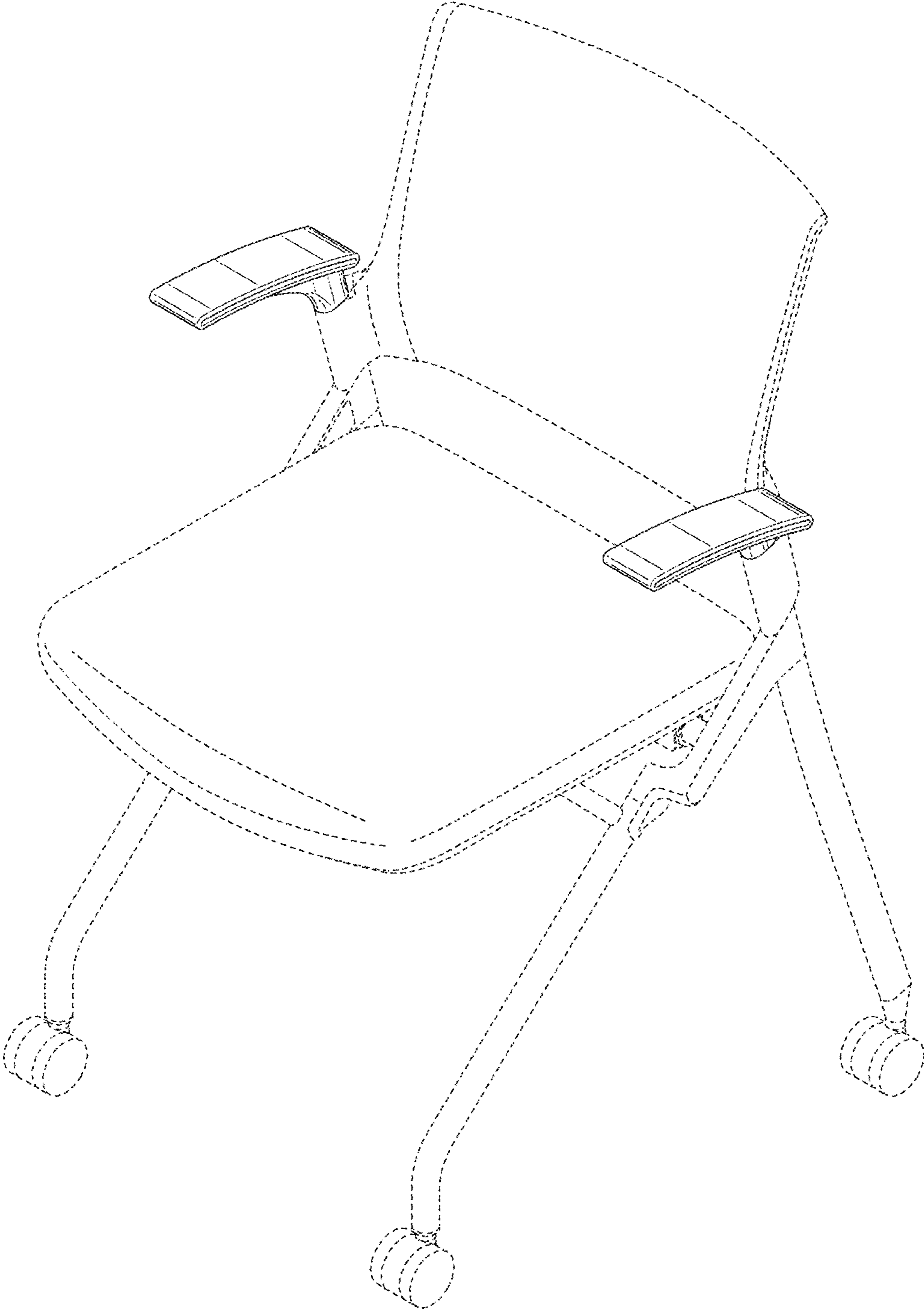


Fig. 2

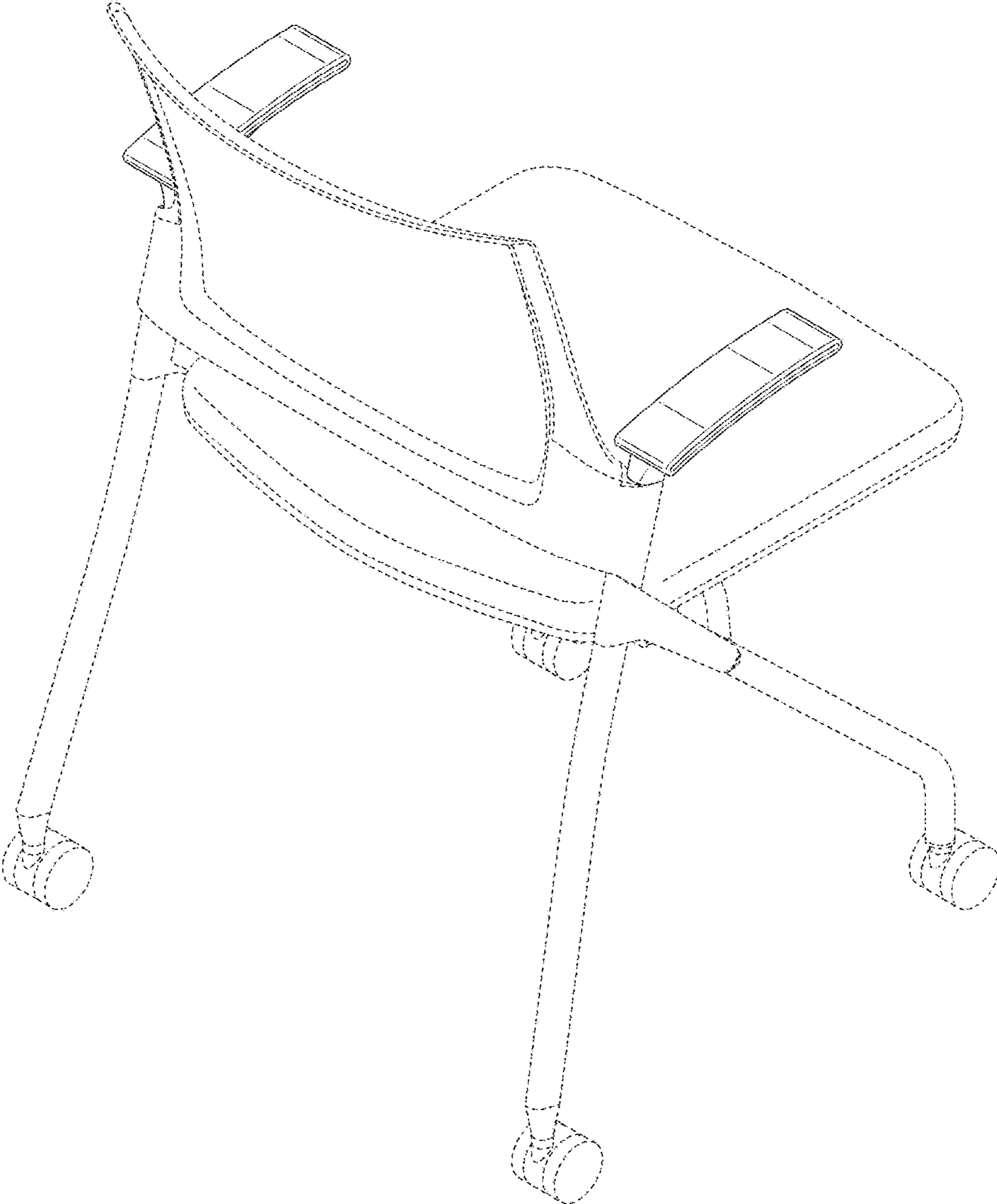


Fig. 3

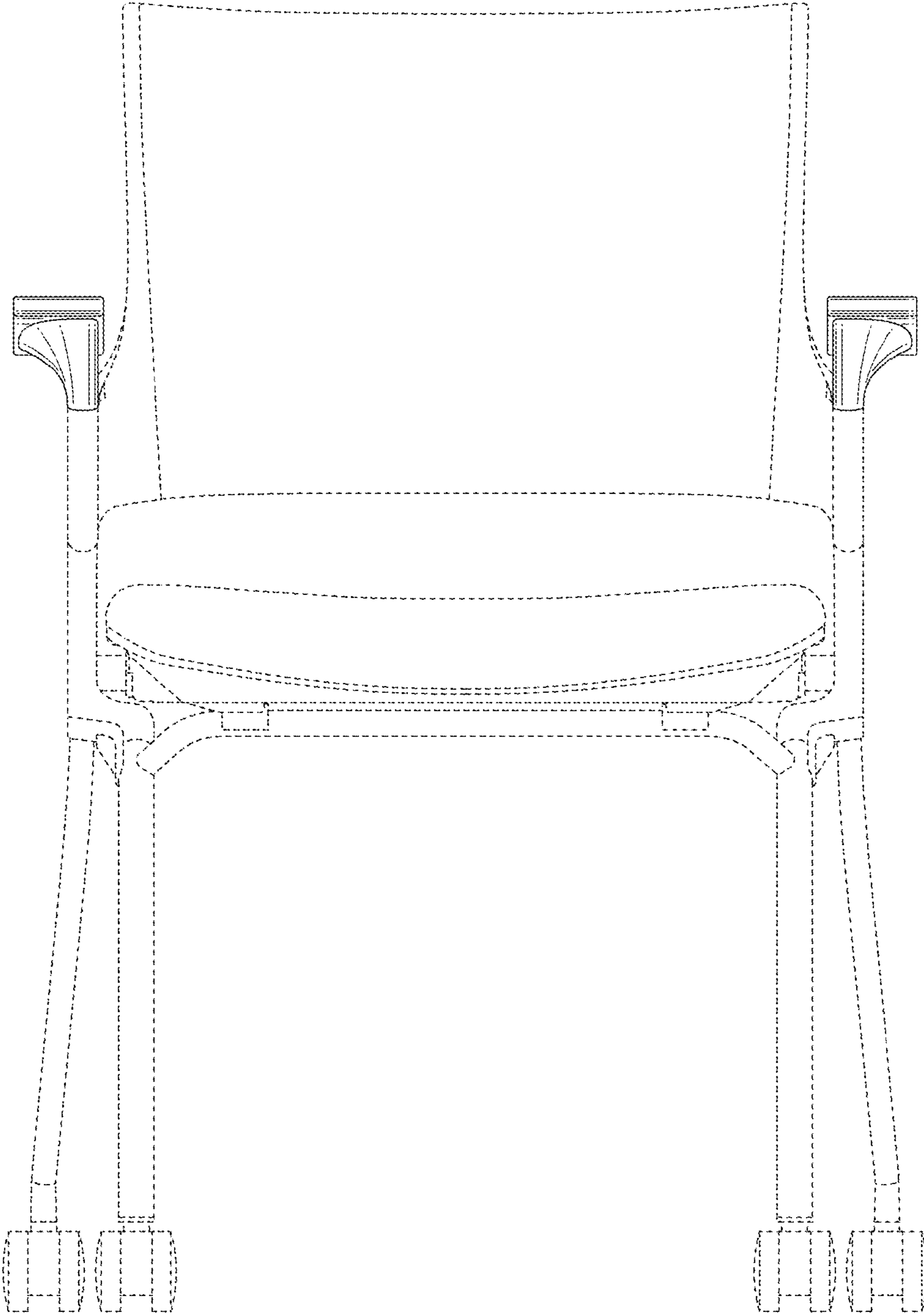


Fig. 4

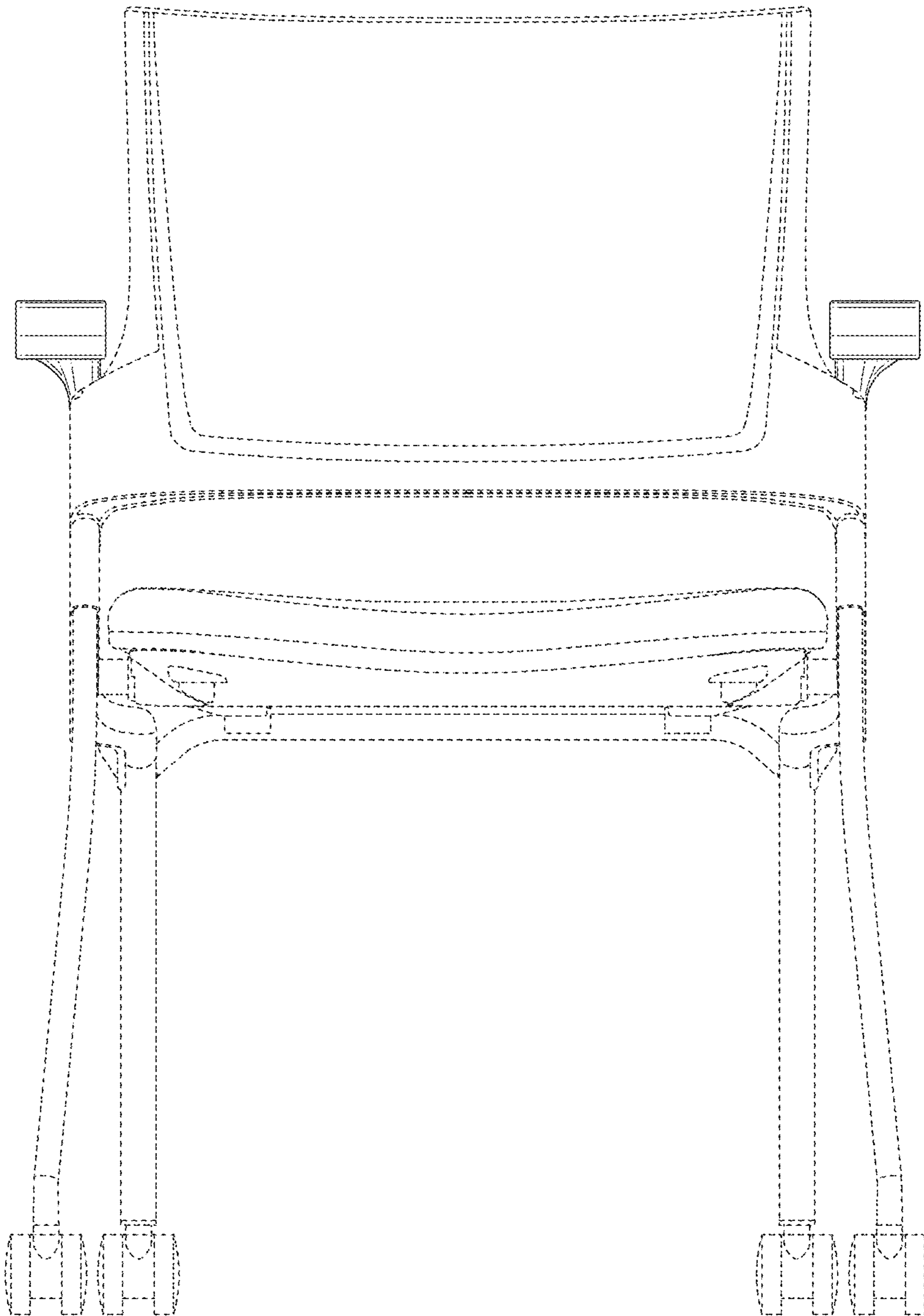


Fig. 5

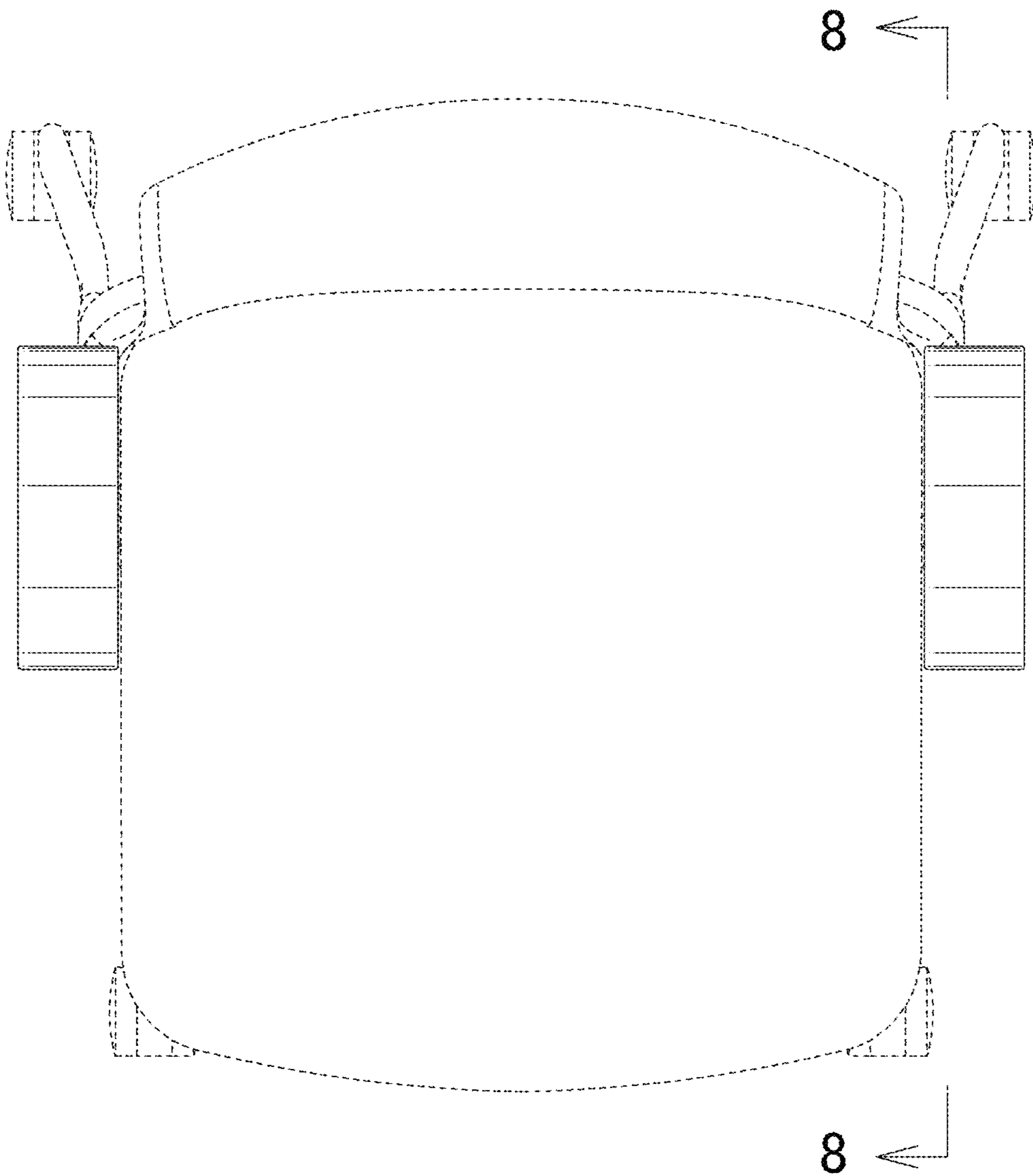


Fig. 6

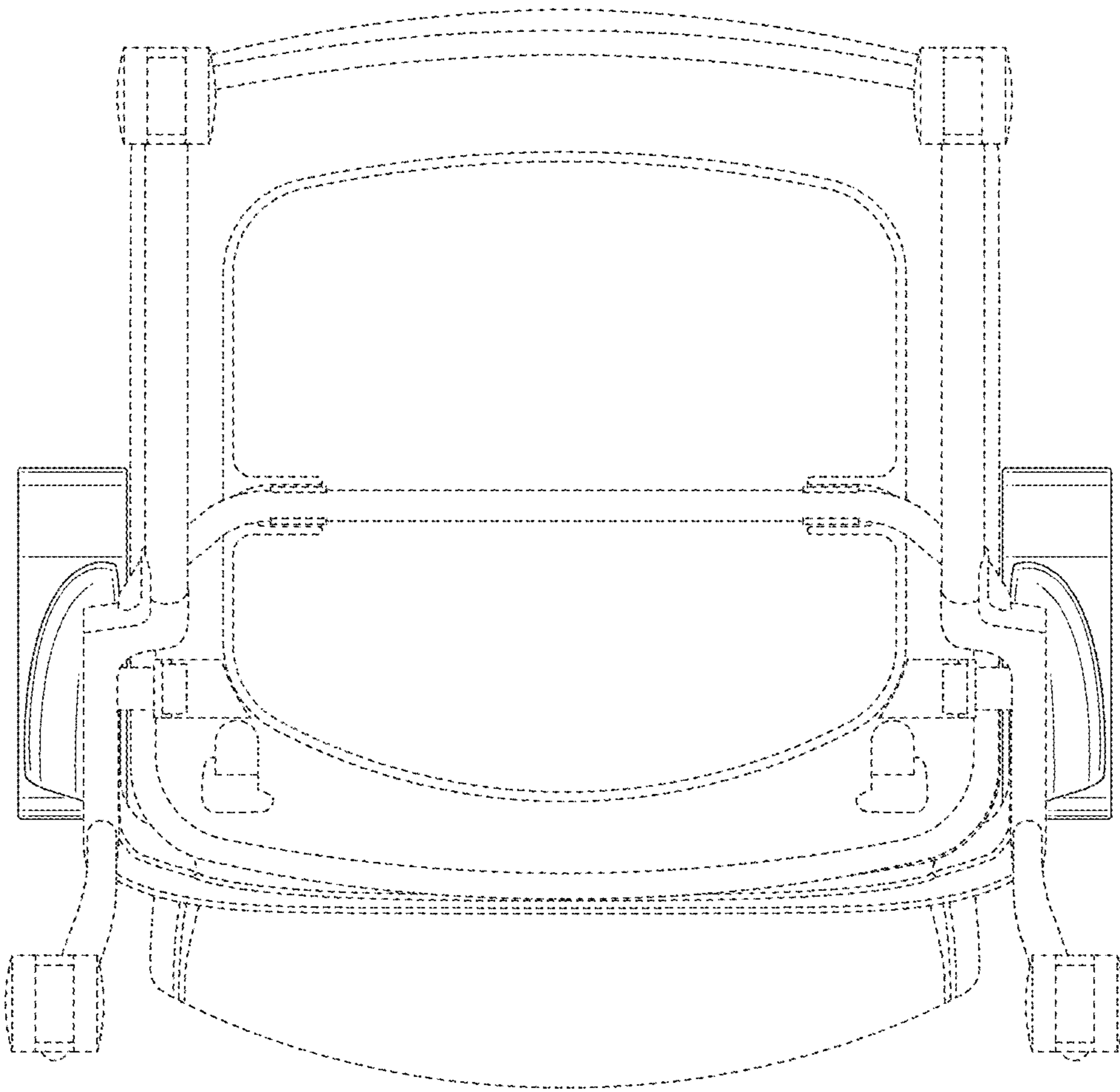


Fig. 7

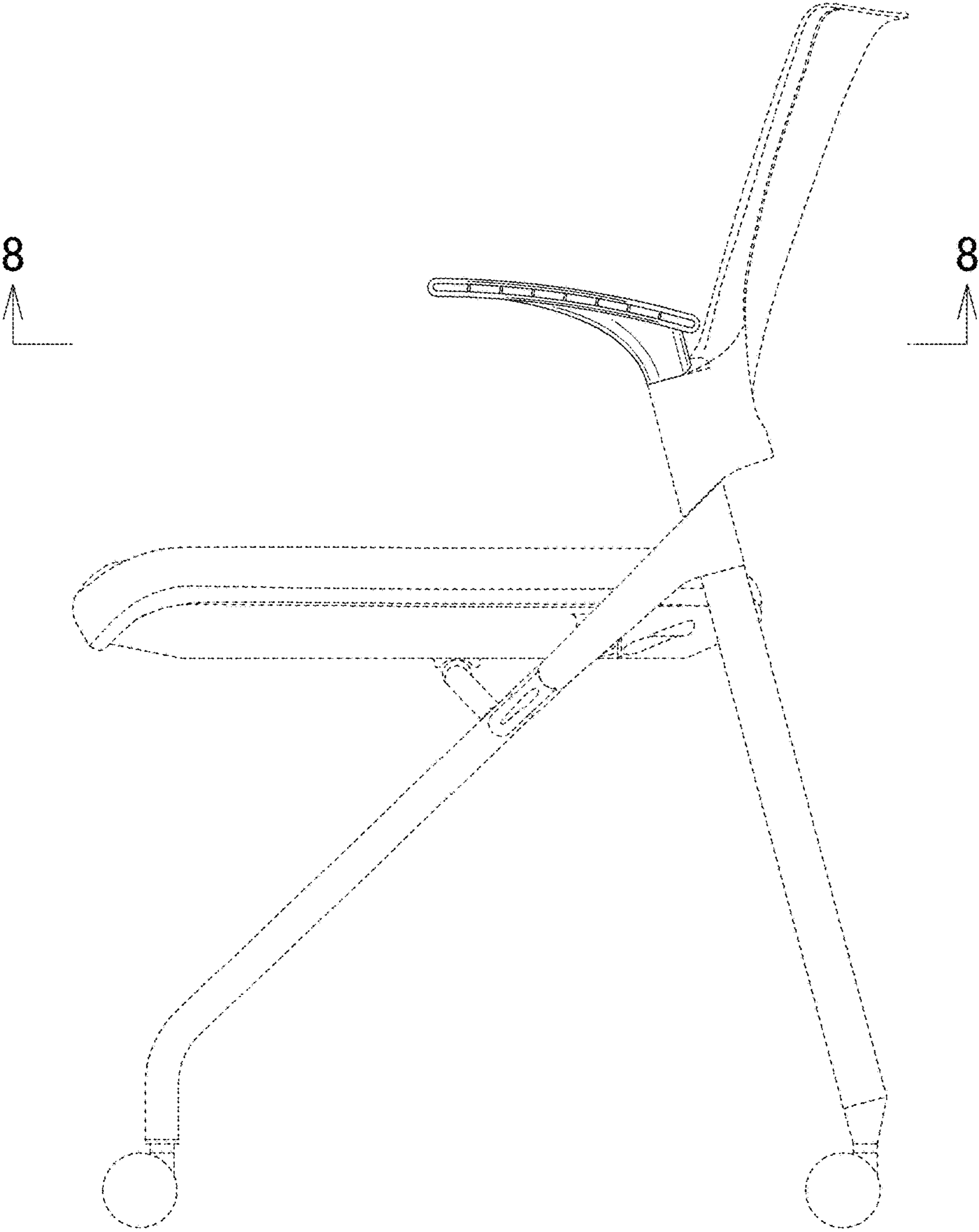


Fig. 8

