



US00D804877S

(12) **United States Design Patent**
Knight

(10) **Patent No.:** **US D804,877 S**

(45) **Date of Patent:** **** Dec. 12, 2017**

(54) **CHAIR**

(71) Applicant: **HOME DEPOT PRODUCT AUTHORITY, LLC**, Atlanta, GA (US)

(72) Inventor: **Erica Knight**, Chamblee, GA (US)

(73) Assignee: **Home Depot Product Authority, LLC**, Atlanta, GA (US)

(**) Term: **15 Years**

(21) Appl. No.: **29/554,775**

(22) Filed: **Feb. 15, 2016**

(51) **LOC (10) Cl.** **06-01**

(52) **U.S. Cl.**
USPC **D6/716.2**

(58) **Field of Classification Search**
USPC D6/329, 334, 356, 335, 344, 716, 716.2,
D6/716.4

CPC .. A47C 1/124; A47C 3/04; A47C 5/12; A47C
3/12; Y10S 297/02

See application file for complete search history.

(56) **References Cited**

U.S. PATENT DOCUMENTS

D211,633 S *	7/1968	Granger	D6/716.2
D422,425 S *	4/2000	Tseng	D6/369
D434,921 S *	12/2000	Tseng	D6/376
D445,272 S *	7/2001	Rehmert	D6/344
D454,712 S *	3/2002	Tseng	D6/369
D486,971 S *	2/2004	Tseng	D6/376
D487,849 S *	3/2004	Tseng	D6/376
D487,989 S *	4/2004	Tseng	D6/376
D491,738 S *	6/2004	Vanderminden	D6/376
D512,580 S *	12/2005	Tseng	D6/369
D521,266 S *	5/2006	Vanderminden	D6/376
D526,799 S *	8/2006	Tseng	D6/370
D528,313 S *	9/2006	Chen	D6/360

D528,315 S *	9/2006	Tseng	D6/365
D528,316 S *	9/2006	Tseng	D6/365
D530,934 S *	10/2006	Tseng	D6/365
D532,212 S *	11/2006	Bell	D6/369
D547,962 S *	8/2007	Ko	D6/376
D550,469 S *	9/2007	White, III	D6/369
D559,000 S *	1/2008	Vanderminden, Sr.	D6/375
D675,464 S *	2/2013	Pedersen	D6/716
D687,237 S *	8/2013	Pedersen	D6/369
D687,238 S *	8/2013	Pedersen	D6/369
8,500,204 B2 *	8/2013	Kemp	A47C 3/023 297/265.1
D689,711 S *	9/2013	Lowsky	D6/376
D690,145 S *	9/2013	Pedersen	D6/365

* cited by examiner

Primary Examiner — David G Muller

Assistant Examiner — Nathan M Johnston

(74) *Attorney, Agent, or Firm* — Greenberg Traurig, LLP

(57) **CLAIM**

The ornamental design for a chair, as shown and described.

DESCRIPTION

FIG. 1 is a front perspective view of an embodiment of my design;

FIG. 2 is a back perspective view thereof;

FIG. 3 is a front view thereof;

FIG. 4 is a back view thereof;

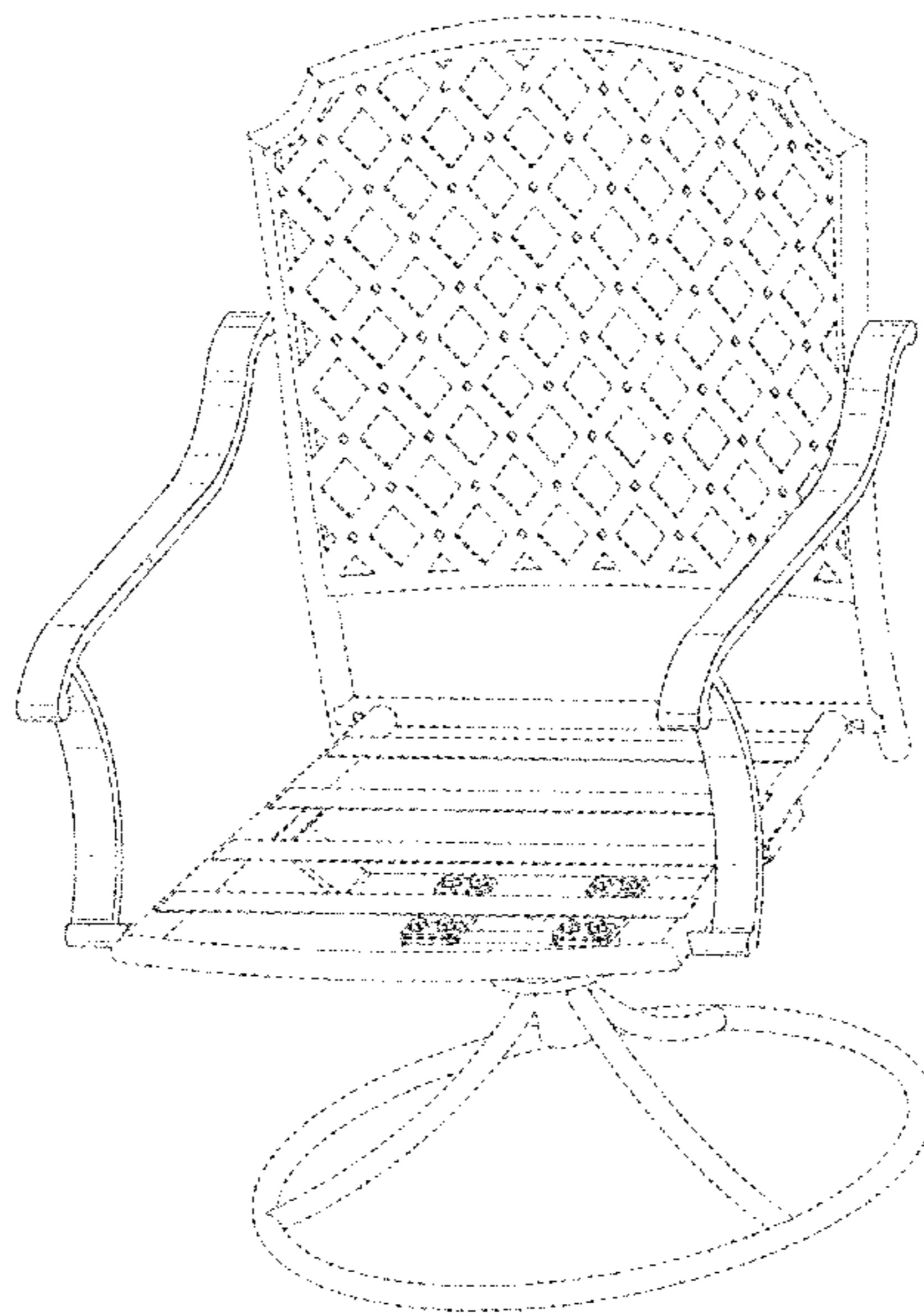
FIG. 5 is a right side view thereof, the left side being a mirror image thereof;

FIG. 6 is a top view thereof; and,

FIG. 7 is a bottom view thereof.

The dashed lines in the figures illustrate portions of the chair that form no part of the claimed design. All other surface(s) or portion(s) of my chair not shown in the figures or otherwise described in the specification form no part of the claimed design.

1 Claim, 7 Drawing Sheets



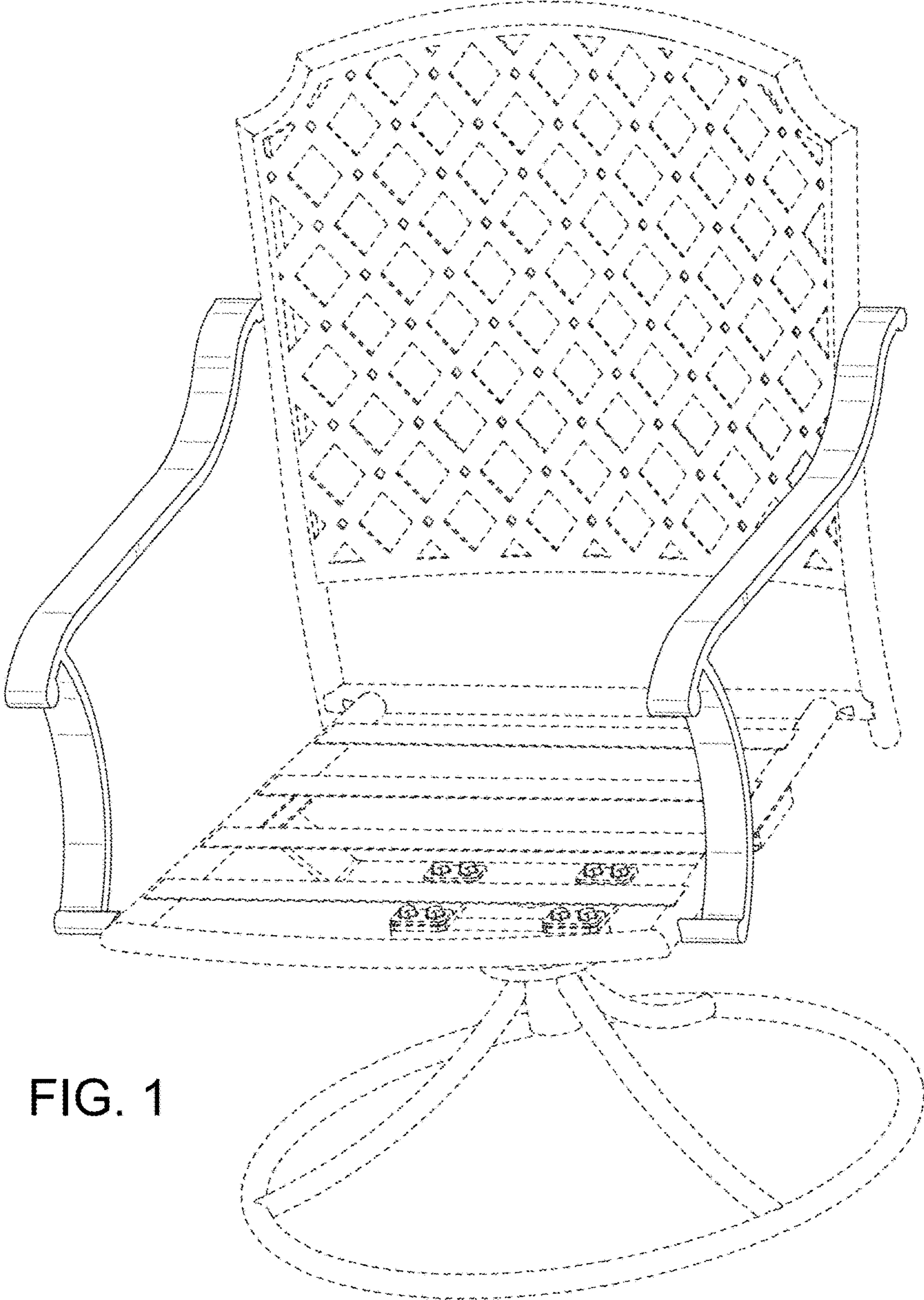


FIG. 1

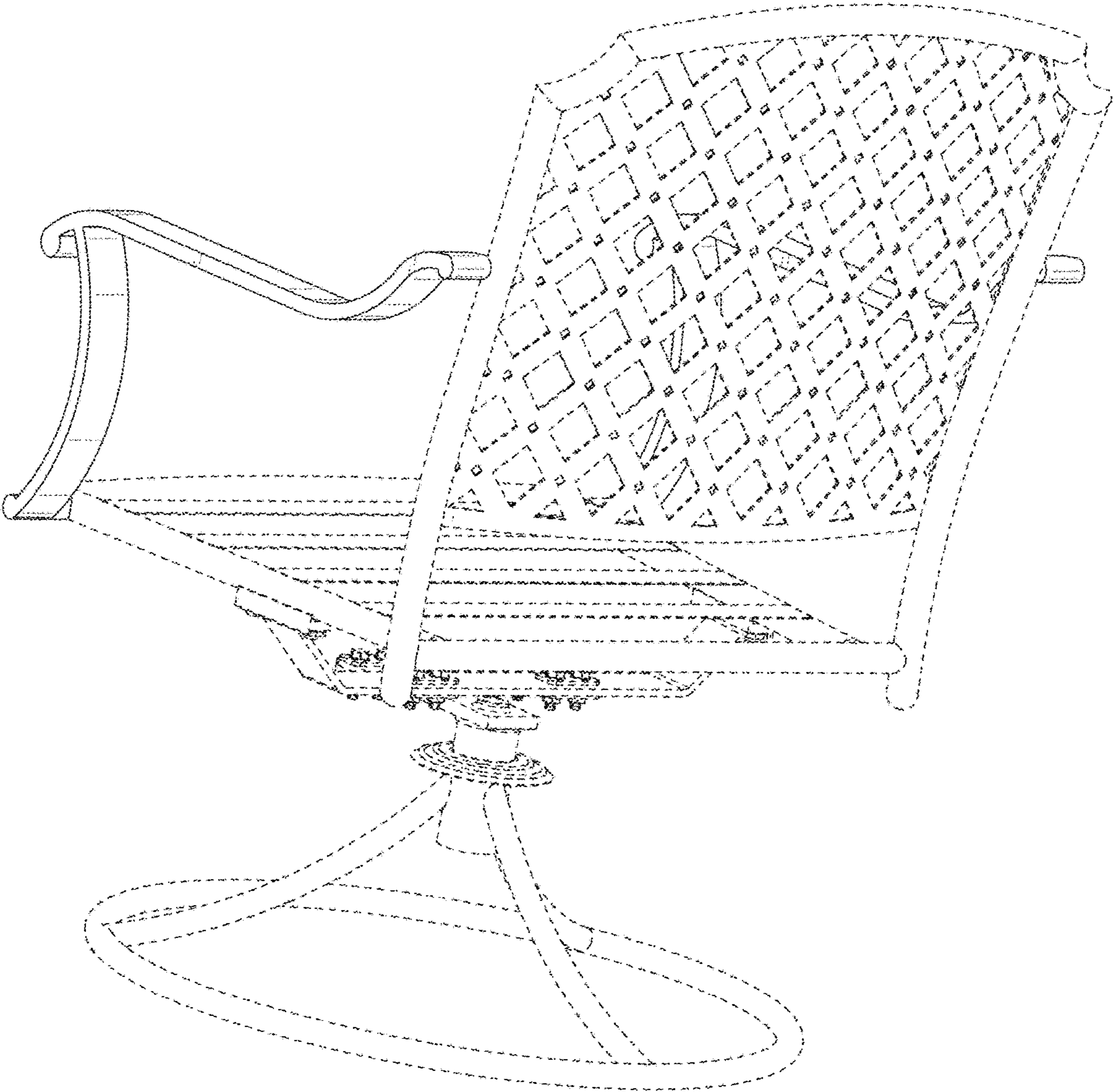


FIG. 2

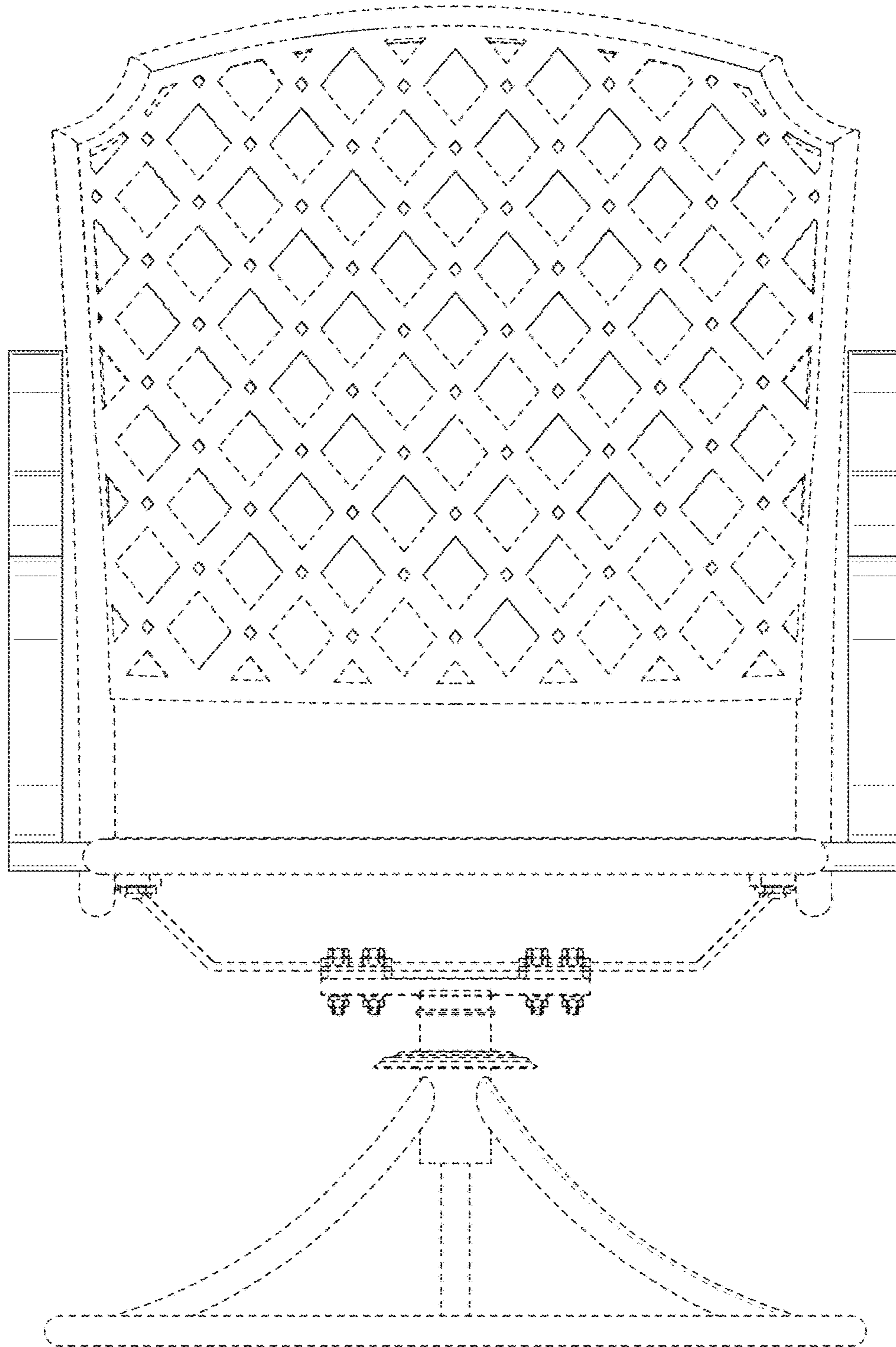


FIG. 3

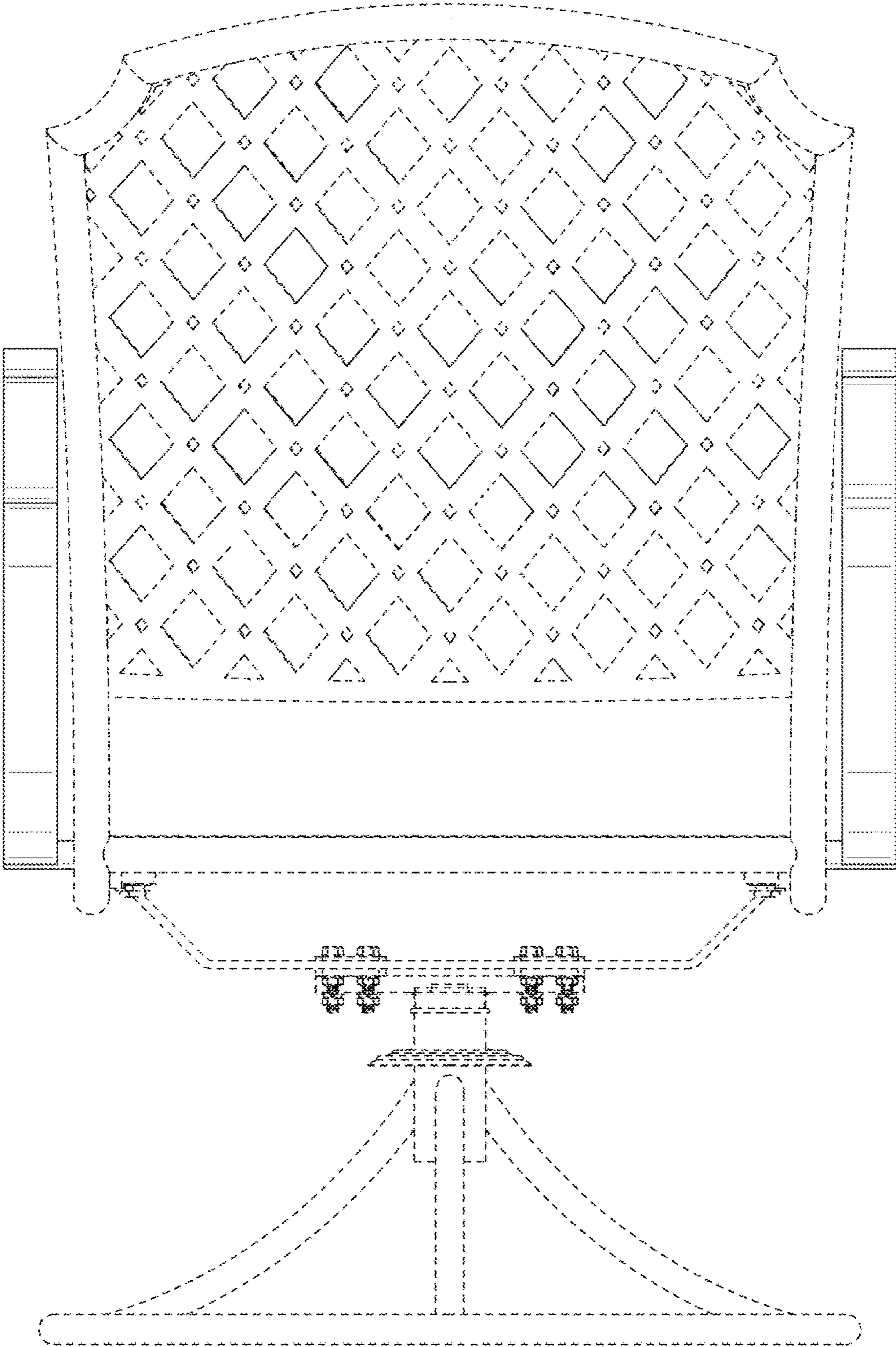


FIG. 4

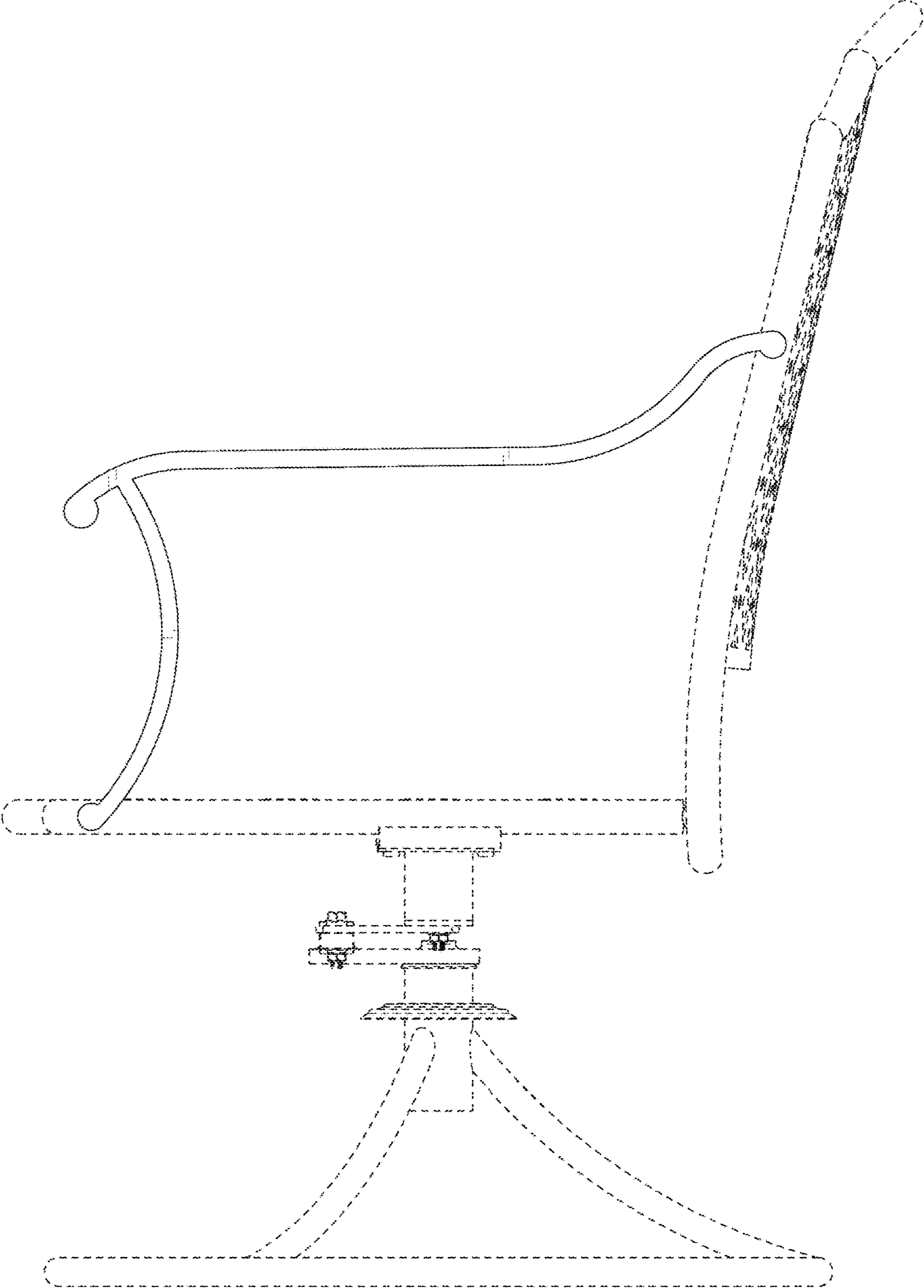


FIG. 5

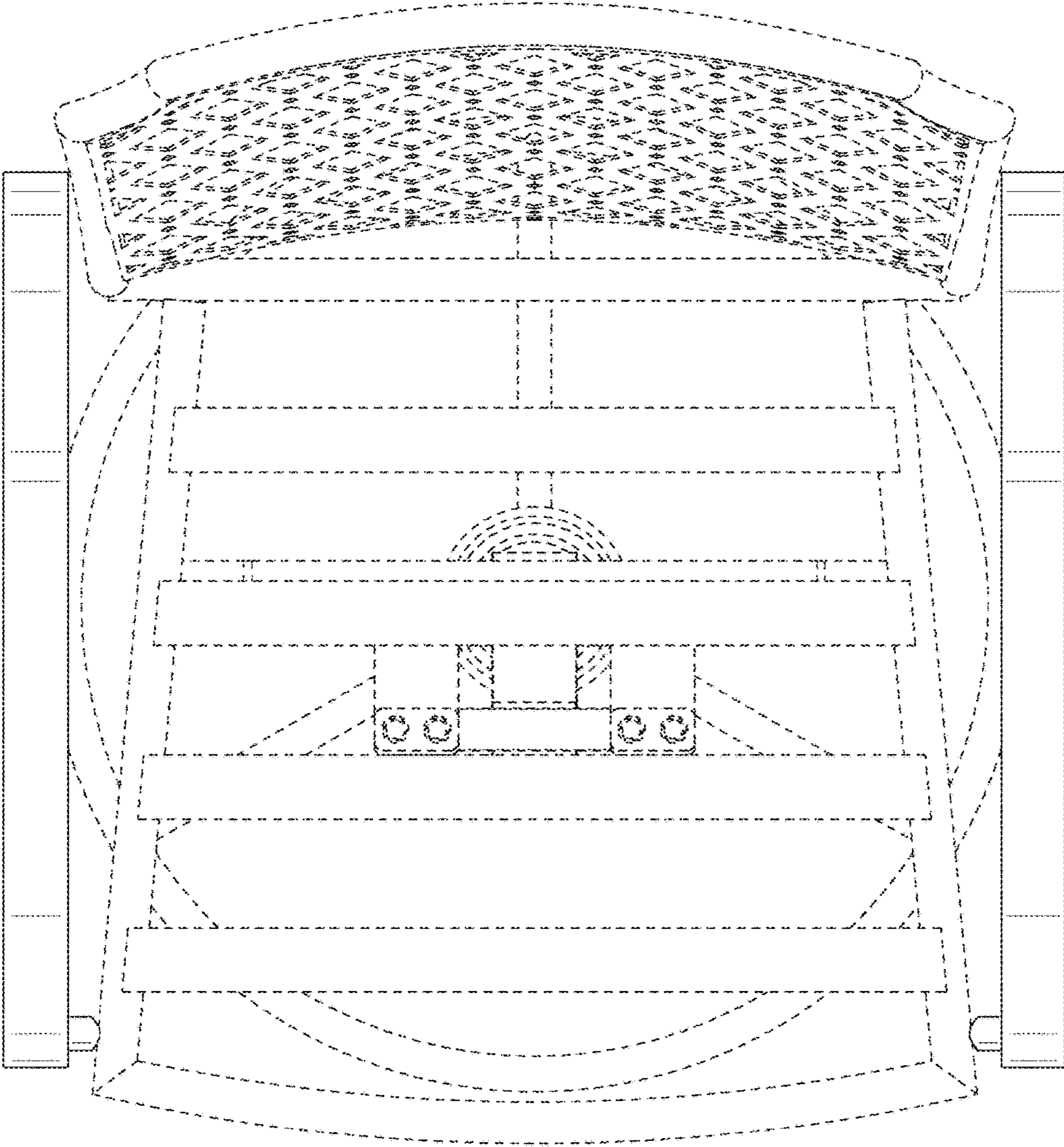


FIG. 6

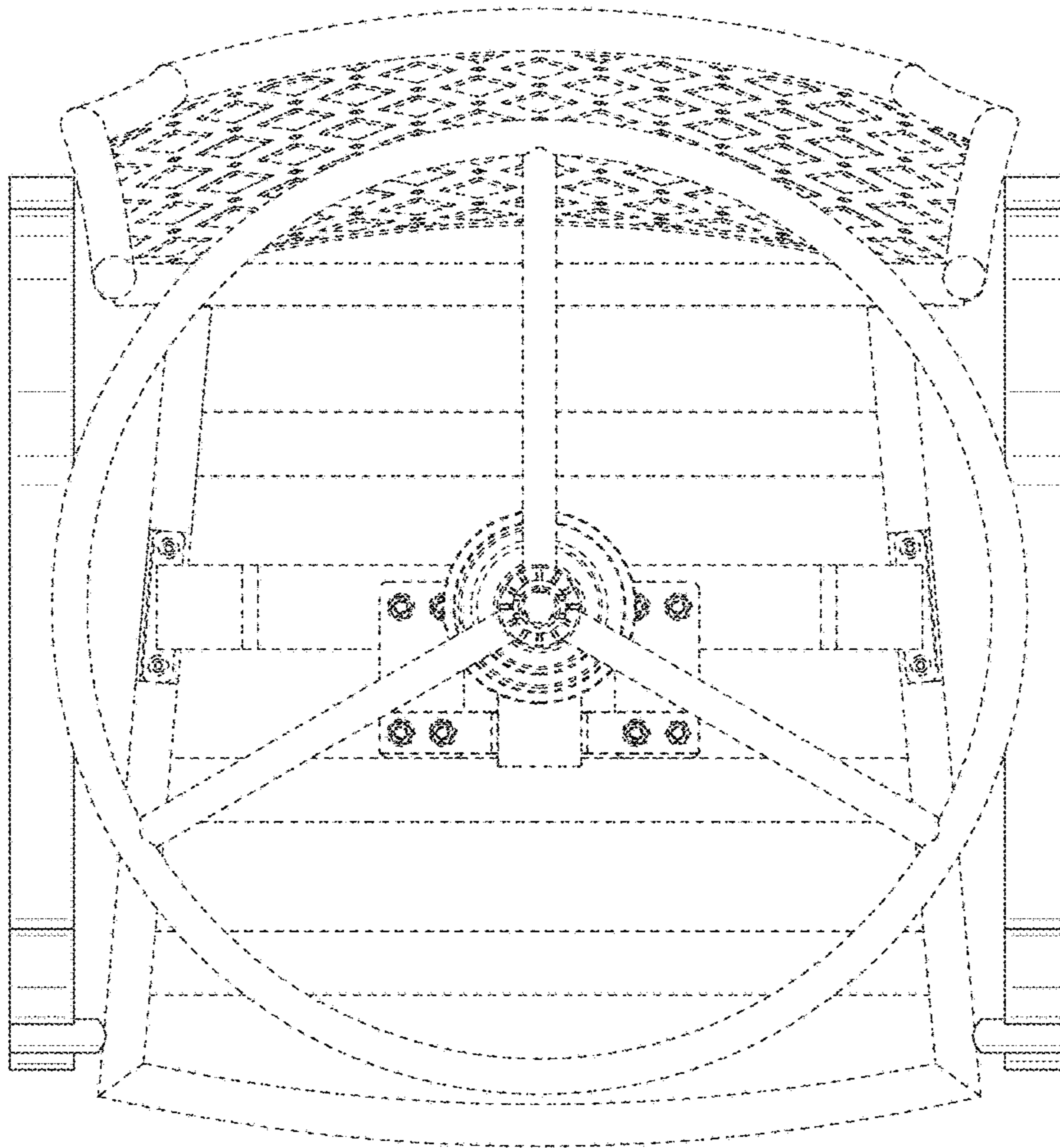


FIG. 7