



US00D804876S

(12) **United States Design Patent**  
**Ludwig et al.**

(10) **Patent No.:** **US D804,876 S**

(45) **Date of Patent:** **\*\* Dec. 12, 2017**

(54) **CHAIR**

(71) Applicant: **Steelcase Inc.**, Grand Rapids, MI (US)

(72) Inventors: **James Nolan Ludwig**, Grand Rapids, MI (US); **Bruce Michael Smith**, East Grand Rapids, MI (US); **Mark William Spoelhof**, Grand Rapids, MI (US); **Kurt Heidmann**, Grand Rapids, MI (US); **Nickolaus William Charles Deevers**, Holland, MI (US)

(73) Assignee: **Steelcase Inc.**, Grand Rapids, MI (US)

(\*\*) Term: **15 Years**

(21) Appl. No.: **29/560,966**

(22) Filed: **Apr. 12, 2016**

(51) **LOC (10) Cl.** ..... **06-01**

(52) **U.S. Cl.**  
USPC ..... **D6/716; D6/366**

(58) **Field of Classification Search**  
USPC ..... D6/334-336, 364, 365, 366, 371, 372, D6/373, 375, 379, 716, 716.1, 716.2, D6/716.3, 716.4  
CPC .. A47C 3/12; A47C 5/12; A47C 7/004; A47C 7/022; A47C 7/16; A47C 7/40; A47C 7/54

See application file for complete search history.

(56) **References Cited**

**U.S. PATENT DOCUMENTS**

1,961,641 A	6/1934	Ollis
2,217,893 A	10/1940	Dunajeff
2,799,323 A	7/1957	Berg
2,993,733 A	7/1961	Pinkham
3,080,195 A	3/1963	Berg
D197,643 S	3/1964	Kramer
3,133,765 A	5/1964	Kramer
3,463,547 A	8/1969	Brennan et al.

D220,388 S *	4/1971	Kramer	.....	D6/366
3,583,759 A	6/1971	Kramer		
3,601,176 A	8/1971	Savickas		
3,669,499 A	6/1972	Semplonius et al.		
3,740,096 A	6/1973	Bridger		
3,823,980 A	7/1974	Harnick		
3,827,750 A	8/1974	Fantoni		
D233,808 S *	12/1974	Ruf	.....	D6/366
3,883,176 A	5/1975	Morton		
D236,173 S *	8/1975	Ruf	.....	D6/366
3,201,172 A	8/1975	Bliss		
3,942,836 A	3/1976	Baker		
D244,892 S *	7/1977	Koepke	.....	D6/366
4,047,757 A	9/1977	Eames et al.		
D255,183 S	6/1980	Locher		
D255,184 S	6/1980	Locher		
D255,185 S	6/1980	Locher		
4,418,958 A	12/1983	Watkin		

(Continued)

**FOREIGN PATENT DOCUMENTS**

DE 202007010030 9/2007

*Primary Examiner* — Mimosa De

(74) *Attorney, Agent, or Firm* — Price Heneveld LLP

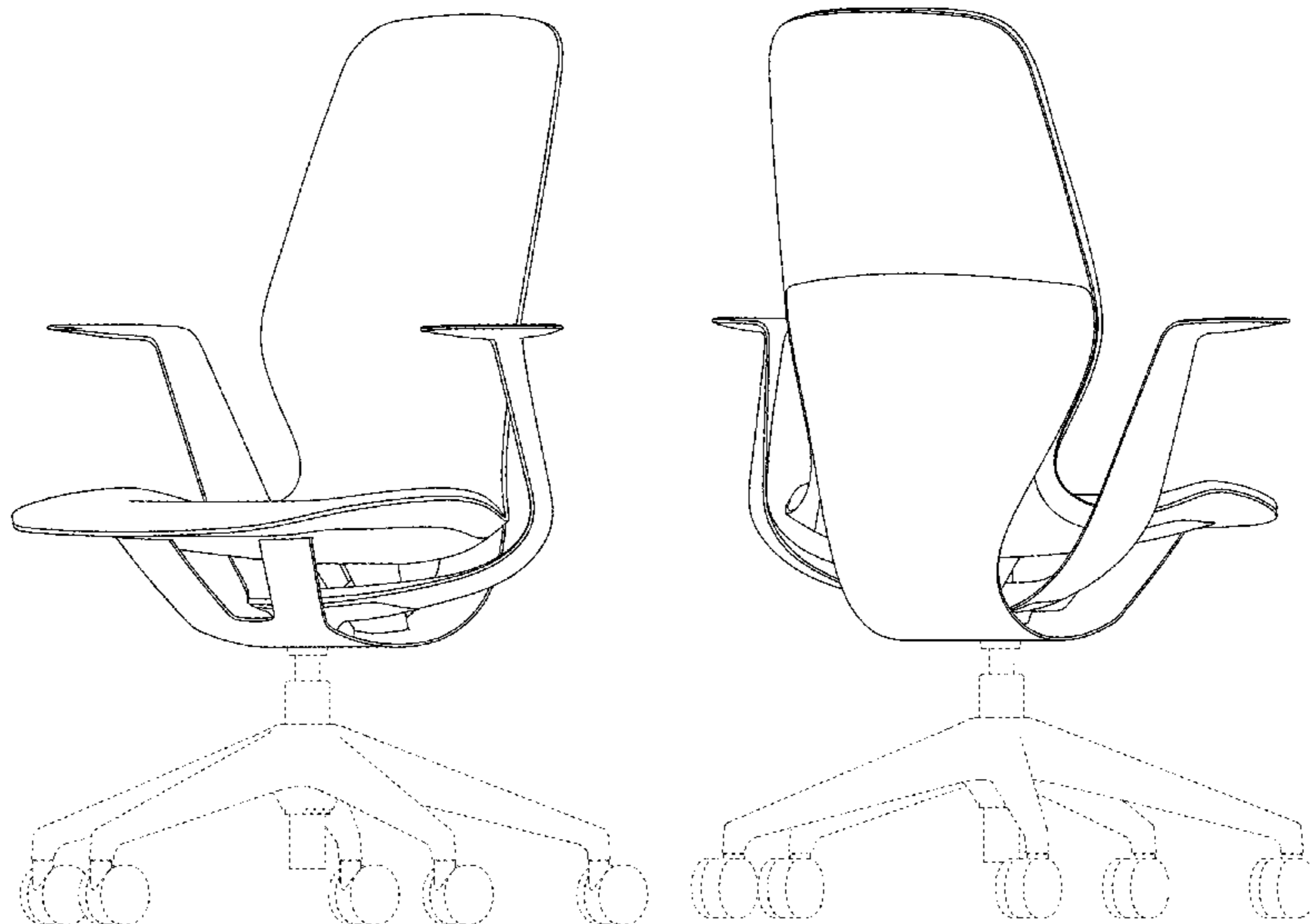
(57) **CLAIM**

The ornamental design for the chair, as shown.

**DESCRIPTION**

FIG. 1 is a top perspective view of a chair embodying the present invention;  
FIG. 2 is a front perspective view of the chair;  
FIG. 3 is a rear perspective view of the chair;  
FIG. 4 is a front elevational view of the chair;  
FIG. 5 is a rear elevational view of the chair;  
FIG. 6 is a first side elevational view of the chair;  
FIG. 7 is a second side elevational view of the chair;  
FIG. 8 is a top plan view of the chair; and,  
FIG. 9 is a bottom plan view of the chair.

**1 Claim, 9 Drawing Sheets**



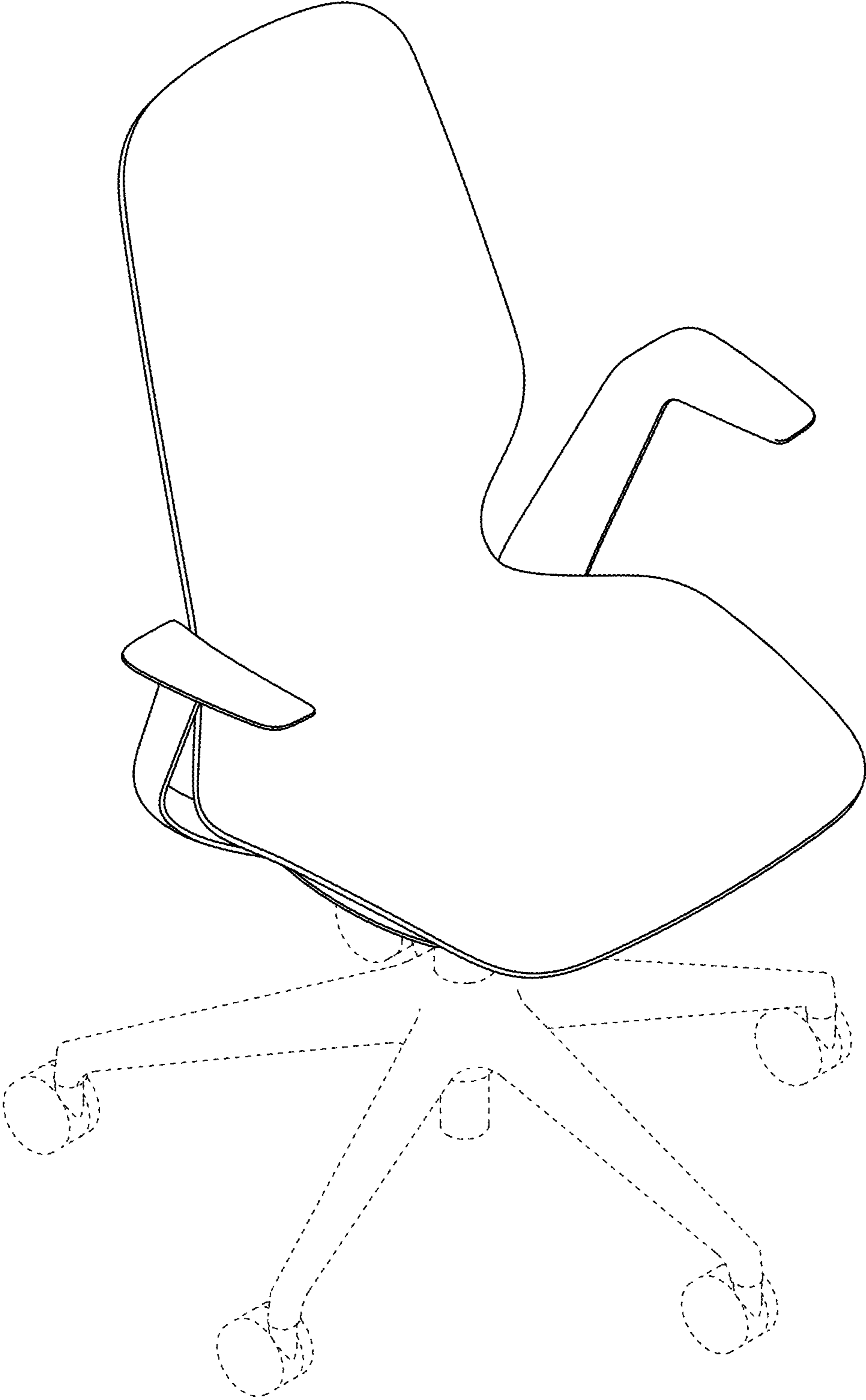
(56)

References Cited

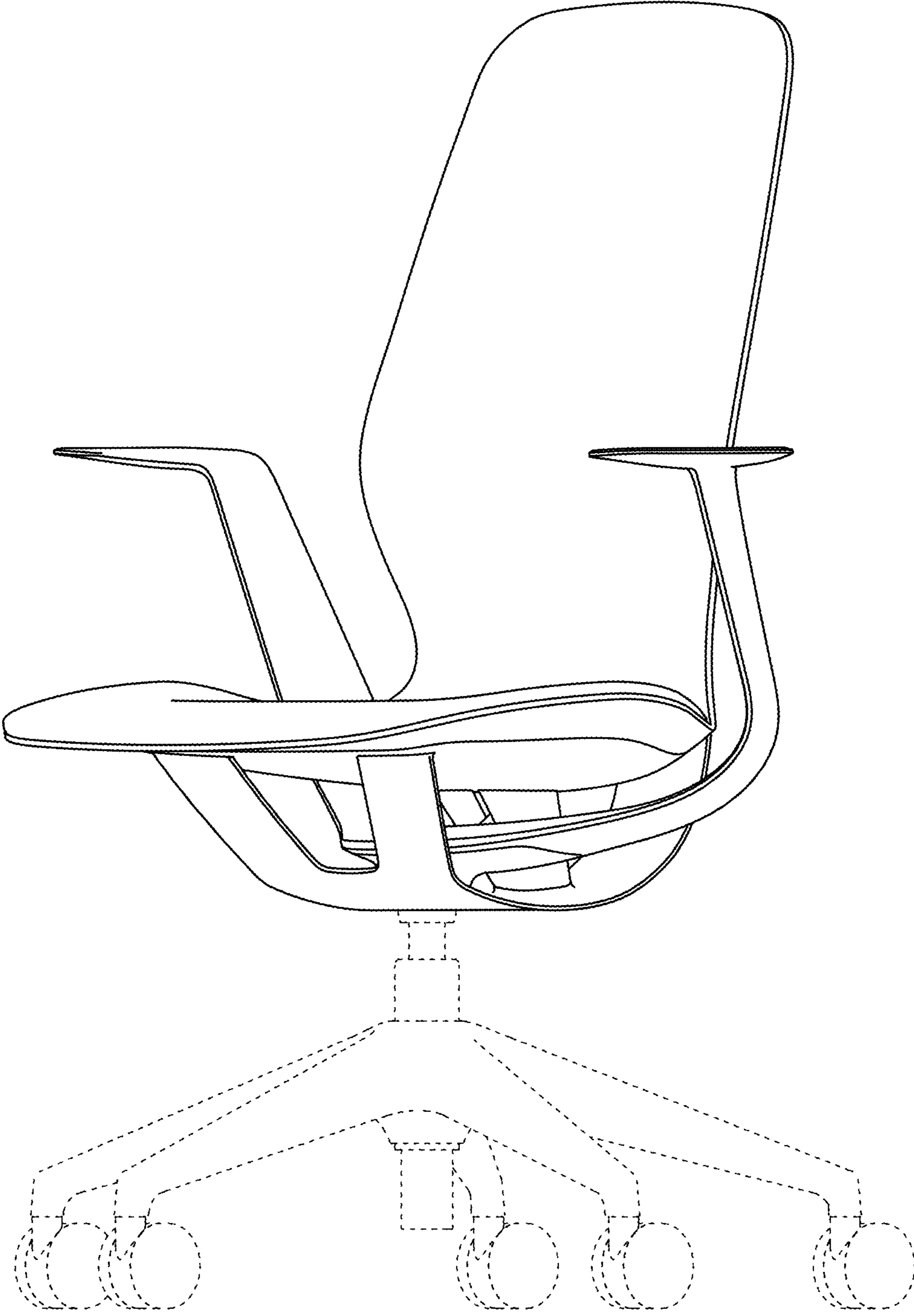
U.S. PATENT DOCUMENTS

4,498,702	A	2/1985	Raftery		D510,668	S	10/2005	Eldøy	
4,500,137	A	2/1985	Morehouse		D513,911	S	1/2006	Glass et al.	
4,529,247	A	7/1985	Stumpf et al.		D514,339	S	2/2006	Glass et al.	
4,556,254	A	12/1985	Roberts		D516,831	S	3/2006	Eldøy	
D284,144	S	6/1986	Pedersen		D519,294	S	4/2006	Frenkler et al.	
D289,120	S	4/1987	Chadwick et al.		D522,265	S	6/2006	Glass et al.	
4,668,015	A	5/1987	Kjersem		D525,057	S	7/2006	Koch et al.	
4,744,603	A	5/1988	Knoblock		D526,134	S	8/2006	Glass et al.	
4,856,846	A	8/1989	Lohmeyer		D542,553	S	5/2007	Peitz et al.	
4,892,356	A	1/1990	Pittman et al.		7,213,886	B2	5/2007	Schmitz et al.	
D307,221	S	4/1990	Mudge		7,226,130	B2	6/2007	Tubergen et al.	
4,938,530	A	7/1990	Snyder et al.		D549,018	S	8/2007	Glass et al.	
D312,003	S	* 11/1990	Muller-Deisig	D6/716	D553,380	S	10/2007	Natuzzi	
D312,536	S	* 12/1990	Muller-Deisig	D6/366	D554,230	S	10/2007	Fletcher et al.	
4,979,778	A	12/1990	Shields		D557,532	S	12/2007	True et al.	
D318,184	S	* 7/1991	Muller-Deisig	D6/366	D561,499	S	2/2008	Schweikarth et al.	
5,050,931	A	9/1991	Knoblock		D566,979	S	4/2008	Cox et al.	
5,067,772	A	11/1991	Koa		D572,049	S	7/2008	Kerr	
5,076,646	A	12/1991	Matte		7,396,077	B2	7/2008	Boulva	
5,102,196	A	4/1992	Kaneda et al.		D597,758	S	8/2009	Barrett et al.	
D326,370	S	* 5/1992	Buchacz	D6/366	7,600,820	B2	10/2009	Bouche et al.	
D328,980	S	* 9/1992	Buchacz	D6/366	D609,036	S	2/2010	Miller et al.	
D346,909	S	5/1994	Obata et al.		D628,831	S	12/2010	Schmitz et al.	
5,314,240	A	5/1994	Ishi et al.		7,926,879	B2	4/2011	Schmitz et al.	
D348,571	S	* 7/1994	Obata	D6/366	D637,017	S	5/2011	Aoki	
5,333,934	A	8/1994	Knoblock		7,992,936	B2	8/2011	Schmitz et al.	
5,338,099	A	8/1994	Ishi et al.		D646,088	S	10/2011	Ballendat	
5,352,022	A	10/1994	Knoblock		D646,511	S	10/2011	Ballendat	
D353,718	S	12/1994	Olson		D654,280	S	2/2012	Fujita	
5,411,316	A	5/1995	Lovegrove et al.		D654,291	S	2/2012	Pearson et al.	
5,499,413	A	3/1996	Van Hekken		D660,056	S	5/2012	Difrient	
5,538,326	A	7/1996	Lorbiecki		D661,915	S	6/2012	Greutmann	
5,567,012	A	10/1996	Knoblock		D663,129	S	7/2012	Greutmann	
5,577,811	A	11/1996	Ogg		D663,132	S	7/2012	Morrison	
D381,525	S	7/1997	James		D669,279	S	10/2012	EldøY	
D390,384	S	2/1998	Schultz et al.		D669,701	S	10/2012	Starck	
5,713,632	A	2/1998	Su		8,282,169	B2	10/2012	Schmitz et al.	
D393,968	S	5/1998	Penning et al.		8,282,172	B2	10/2012	Schmitz et al.	
D394,961	S	6/1998	Fancelli		D670,099	S	11/2012	Olivares	
5,791,736	A	8/1998	Herbert		D678,690	S	* 3/2013	Eldoy	D6/366
5,957,534	A	9/1999	Wilkerson et al.		D680,765	S	4/2013	Ballendat	
D417,558	S	12/1999	Staubach et al.		8,414,073	B2	4/2013	Schmitz et al.	
5,997,094	A	12/1999	Cvek		D683,558	S	6/2013	Rada et al.	
6,079,782	A	6/2000	Berg et al.		D683,979	S	* 6/2013	Miller	D6/366
D433,834	S	11/2000	Neil		8,616,640	B2	12/2013	van Hekken	
D437,497	S	2/2001	Bräuning		8,657,374	B2	2/2014	Higgs	
6,217,121	B1	4/2001	Mollet		D701,053	S	3/2014	Smith et al.	
D444,307	S	7/2001	Minami		D705,560	S	5/2014	Sato	
D445,613	S	7/2001	Ginat		D707,461	S	6/2014	Rada et al.	
D451,723	S	12/2001	Grove		D715,573	S	10/2014	Lloyd et al.	
D456,625	S	5/2002	Frenkler et al.		D723,826	S	3/2015	Kaloustian et al.	
6,409,268	B1	6/2002	Cvek		D729,538	S	5/2015	Kotilainen	
D470,320	S	2/2003	Schloss		9,049,936	B2	6/2015	Leone et al.	
D473,407	S	4/2003	Ross		D733,445	S	7/2015	Izawa et al.	
6,634,717	B2	10/2003	Kown		D742,153	S	11/2015	Hui et al.	
6,722,735	B2	4/2004	Lucci et al.		D743,180	S	11/2015	Mehaffey et al.	
6,786,548	B2	9/2004	Pearce et al.		D759,414	S	6/2016	Mehaffey et al.	
D498,070	S	11/2004	Sauer		D761,579	S	* 7/2016	Lievore	D6/366
6,817,667	B2	11/2004	Pennington et al.		2007/0205648	A1	9/2007	Huang	
D507,437	S	7/2005	Klaasen et al.		2009/0261644	A1	10/2009	Piretti	
D507,909	S	8/2005	Grove		2012/0228911	A1	9/2012	Piretti	
6,935,690	B2	8/2005	Lucci et al.		2013/0099548	A1	4/2013	Schmitz et al.	
					2014/0077573	A1	3/2014	Schneider et al.	

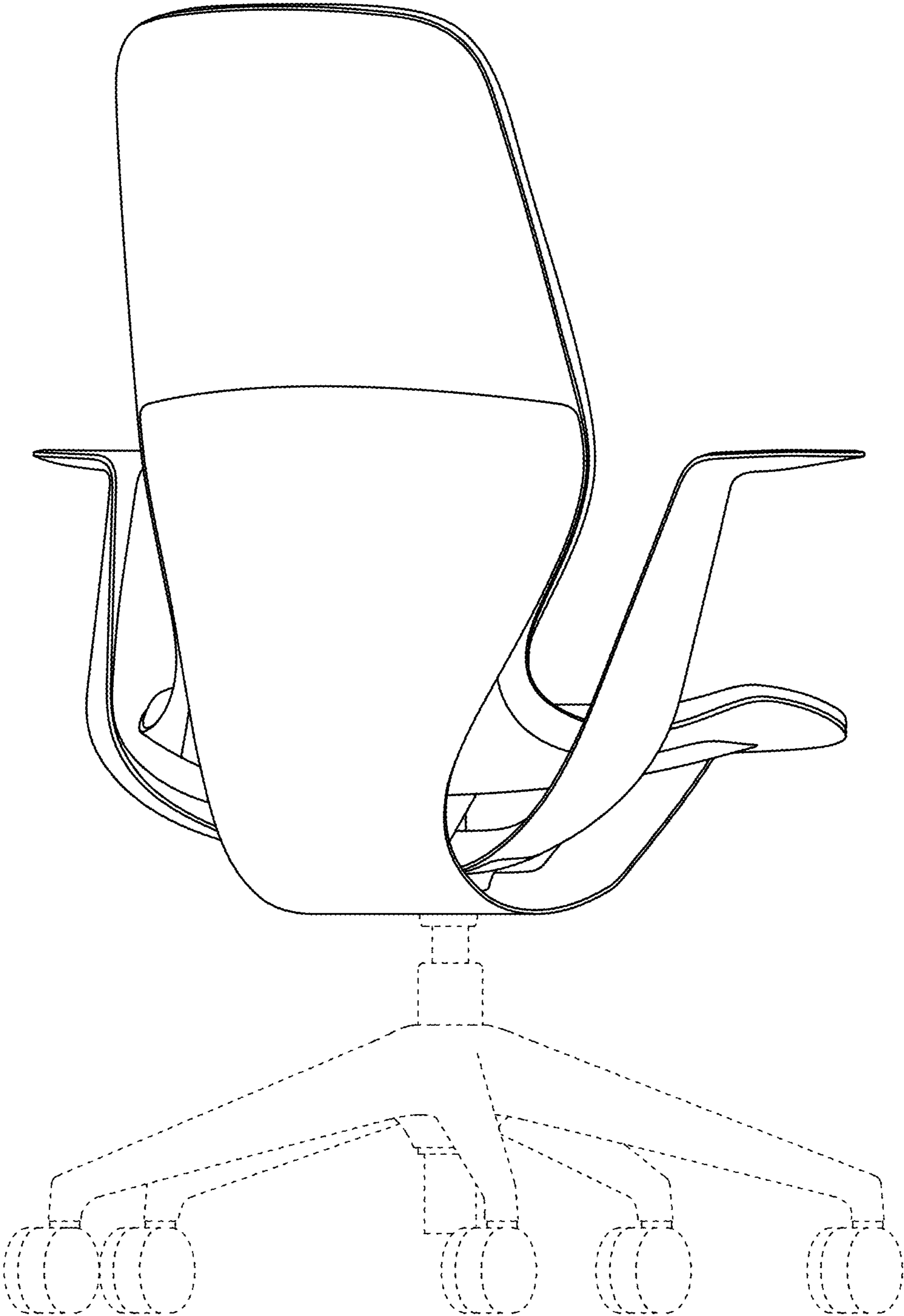
\* cited by examiner



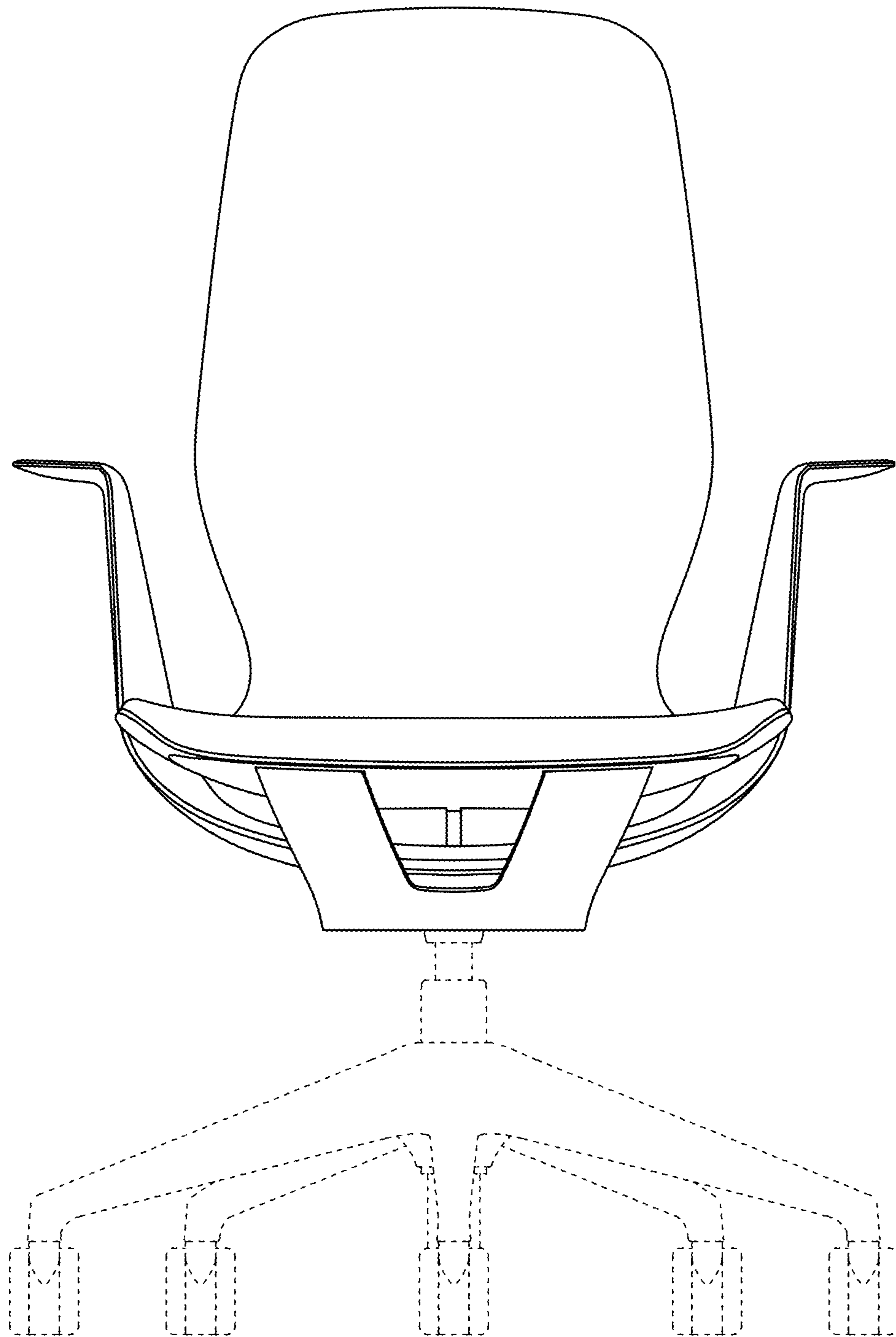
**FIG. 1**



**FIG. 2**



**FIG. 3**



**FIG. 4**

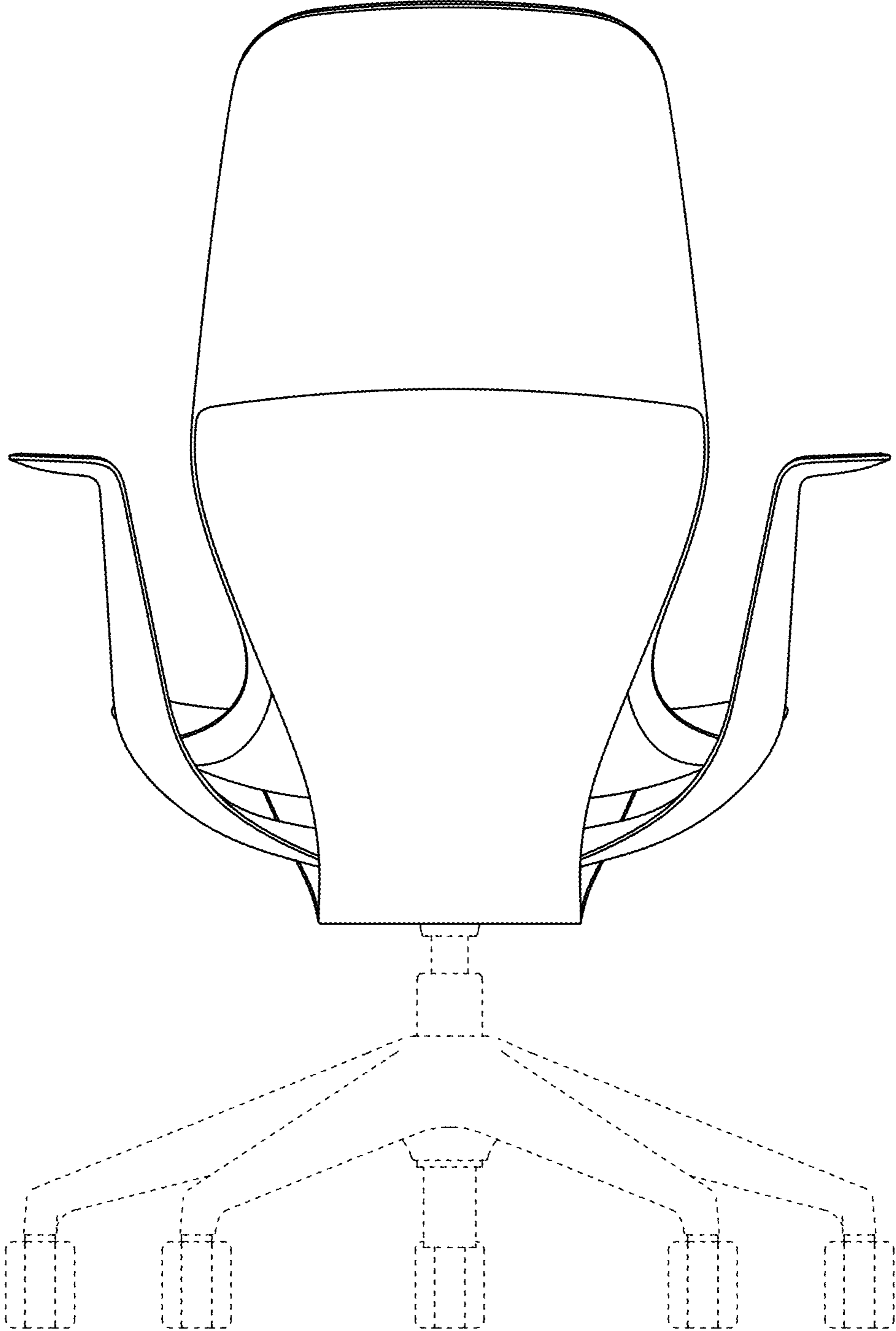
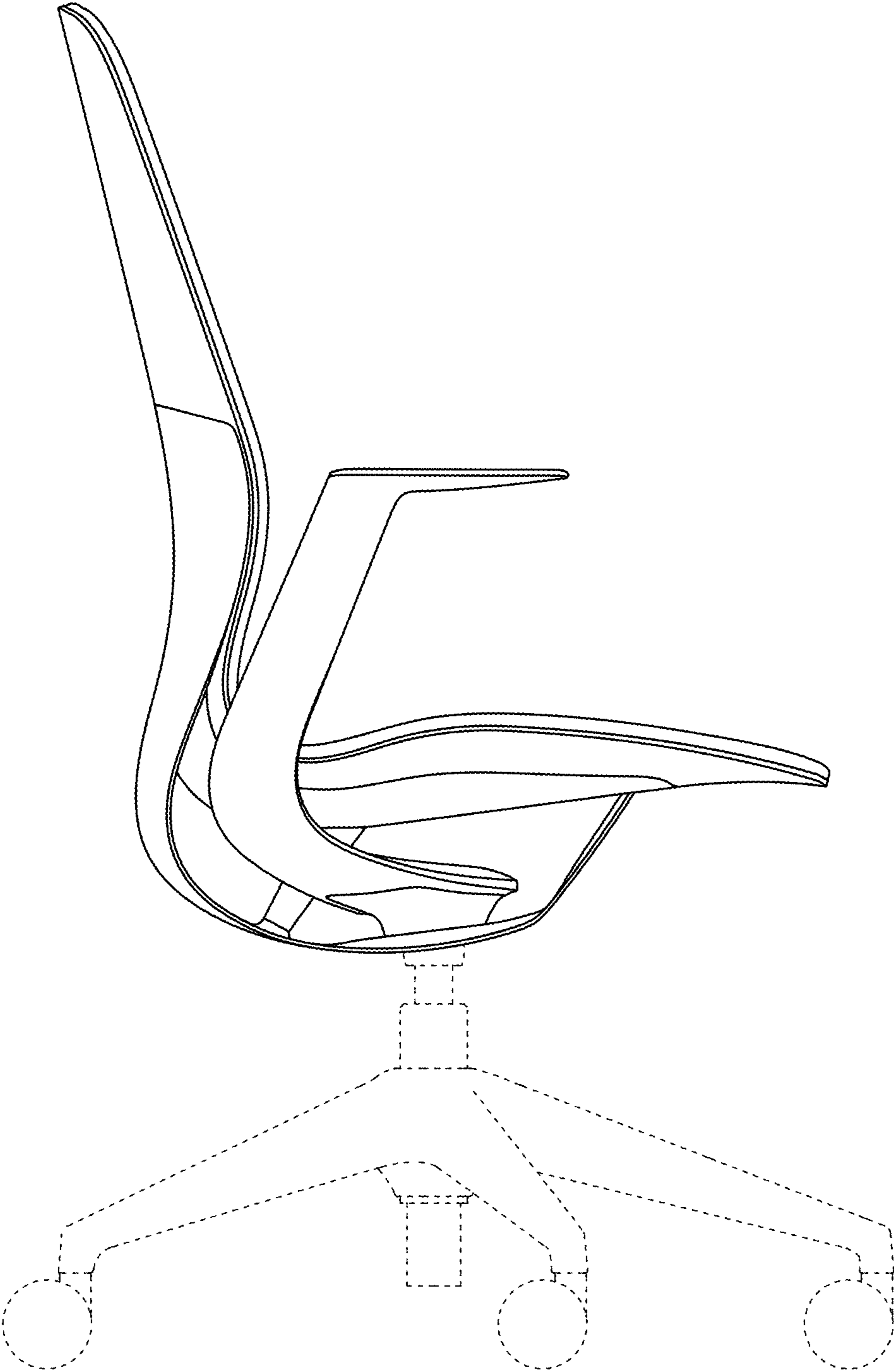
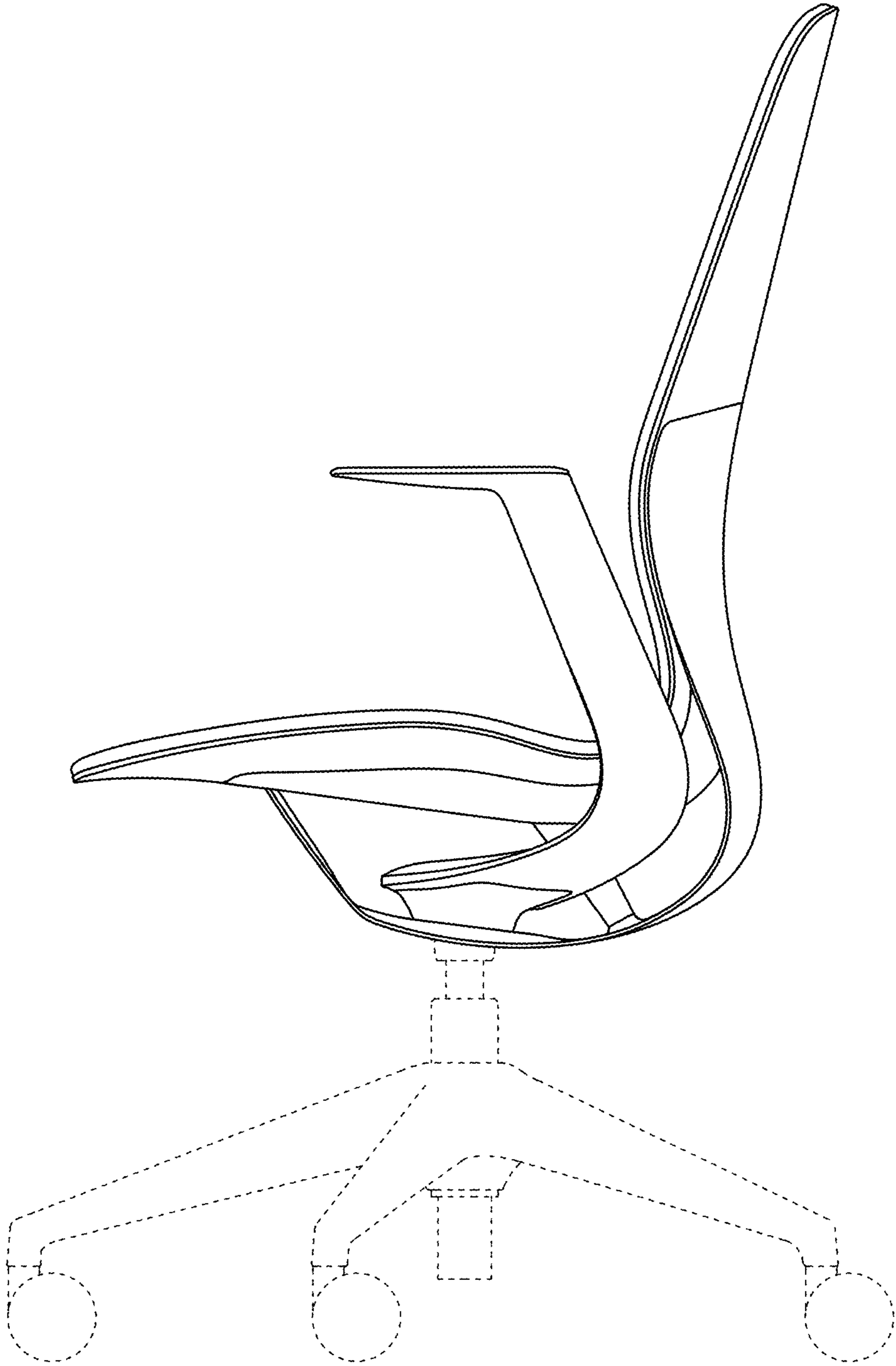


FIG. 5

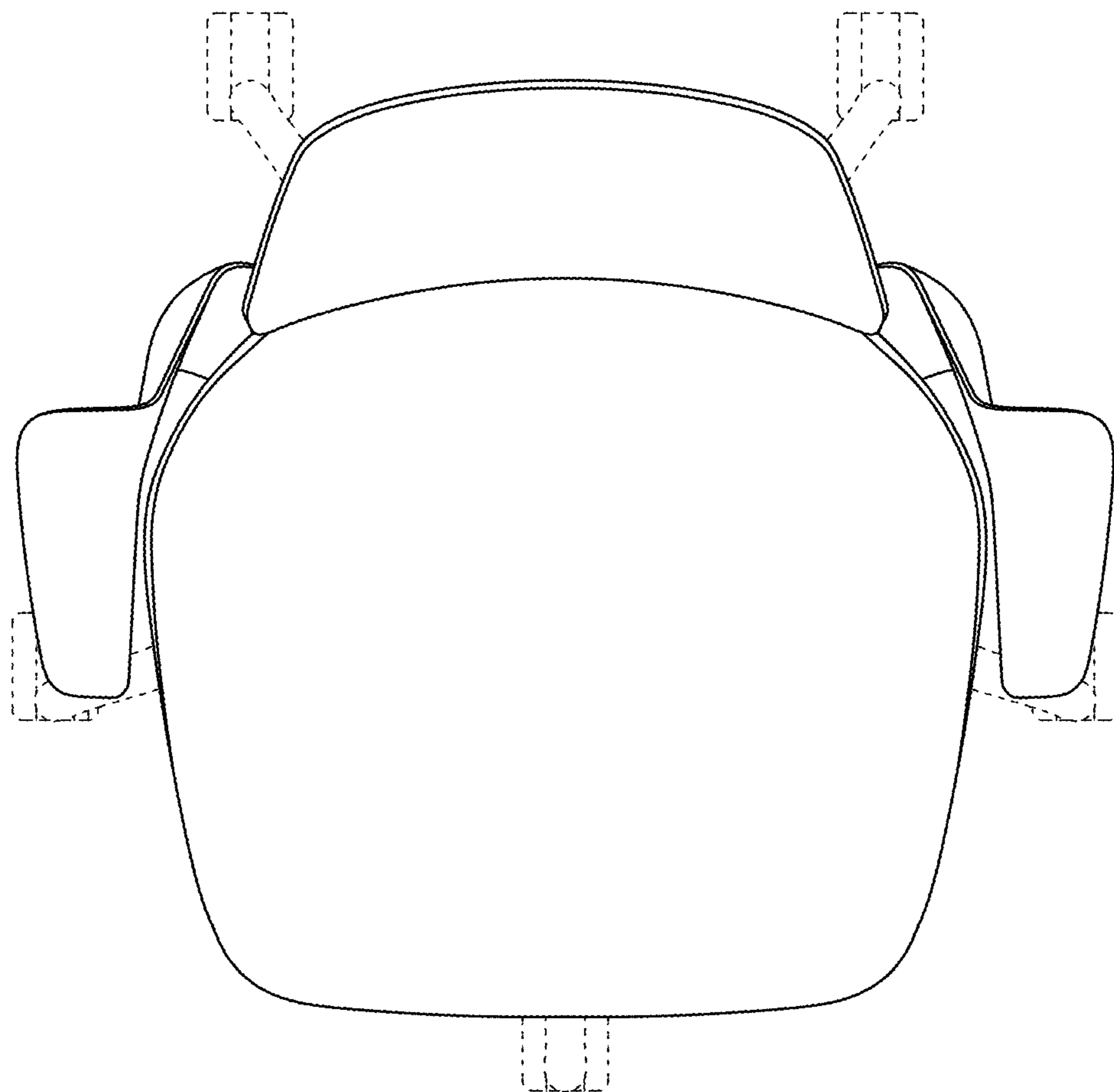


**FIG. 6**

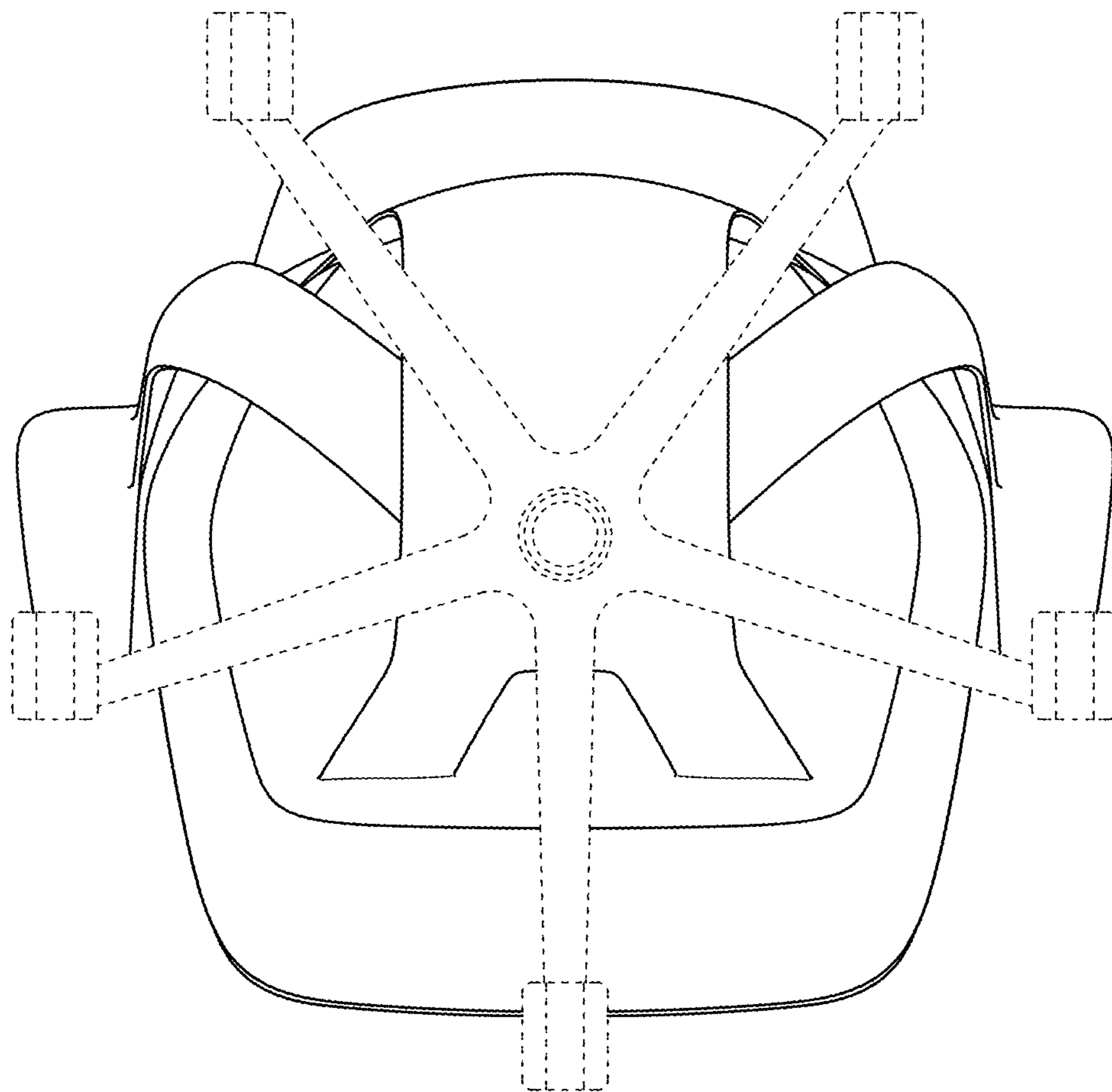




**FIG. 7**



**FIG. 8**



**FIG. 9**