



US00D804875S

(12) **United States Design Patent**
Ludwig et al.

(10) **Patent No.:** **US D804,875 S**
(45) **Date of Patent:** **** Dec. 12, 2017**

(54) **CHAIR**

(71) Applicant: **Steelcase Inc.**, Grand Rapids, MI (US)

(72) Inventors: **James Nolan Ludwig**, Grand Rapids, MI (US); **Bruce Michael Smith**, East Grand Rapids, MI (US); **Mark William Spoelhof**, Grand Rapids, MI (US); **Kurt Heidmann**, Grand Rapids, MI (US); **Nickolaus William Charles Deevers**, Holland, MI (US)

(73) Assignee: **Steelcase Inc.**, Grand Rapids, MI (US)

(**) Term: **15 Years**

(21) Appl. No.: **29/560,962**

(22) Filed: **Apr. 12, 2016**

(51) **LOC (10) Cl.** **06-01**

(52) **U.S. Cl.**
USPC **D6/716**; D6/366

(58) **Field of Classification Search**
USPC D6/334-336, 364, 365, 366, 371, 372, D6/373, 375, 379, 716, 716.1, 716.2, D6/716.3, 716.4
CPC .. A47C 3/12; A47C 5/12; A47C 7/004; A47C 7/022; A47C 7/16; A47C 7/40
See application file for complete search history.

(56) **References Cited**

U.S. PATENT DOCUMENTS

1,961,641 A	6/1934	Ollis
2,217,893 A	10/1940	Dunajeff
2,799,323 A	7/1957	Berg
2,993,733 A	7/1961	Pinkham
3,080,195 A	3/1963	Berg
D197,643 S	3/1964	Kramer
3,133,765 A	5/1964	Kramer
3,201,172 A	8/1965	Bliss
3,463,547 A	8/1969	Brennan et al.

D220,388 S *	4/1971	Framer	D6/366
3,583,759 A	6/1971	Kramer		
3,601,176 A	8/1971	Savickas		
3,669,499 A	6/1972	Semplonius et al.		
3,740,096 A	6/1973	Bridger		
3,823,980 A	7/1974	Harnick		
3,827,750 A	8/1974	Fantoni		
D233,808 S *	12/1974	Ruf	D6/366
3,883,176 A	5/1975	Morton		
D236,173 S *	8/1975	Ruf	D6/366
3,942,836 A	3/1976	Baker		
D244,892 S *	7/1977	Koepke	D6/366
4,047,757 A	9/1977	Eames et al.		
D255,183 S	6/1980	Locher		
D255,184 S	6/1980	Locher		
D255,185 S	6/1980	Locher		
4,418,958 A	12/1983	Watkin		
4,498,702 A	2/1985	Raferly		

(Continued)

FOREIGN PATENT DOCUMENTS

DE 202007010030 9/2007

Primary Examiner — Mimosa De

(74) *Attorney, Agent, or Firm* — Price Heneveld LLP

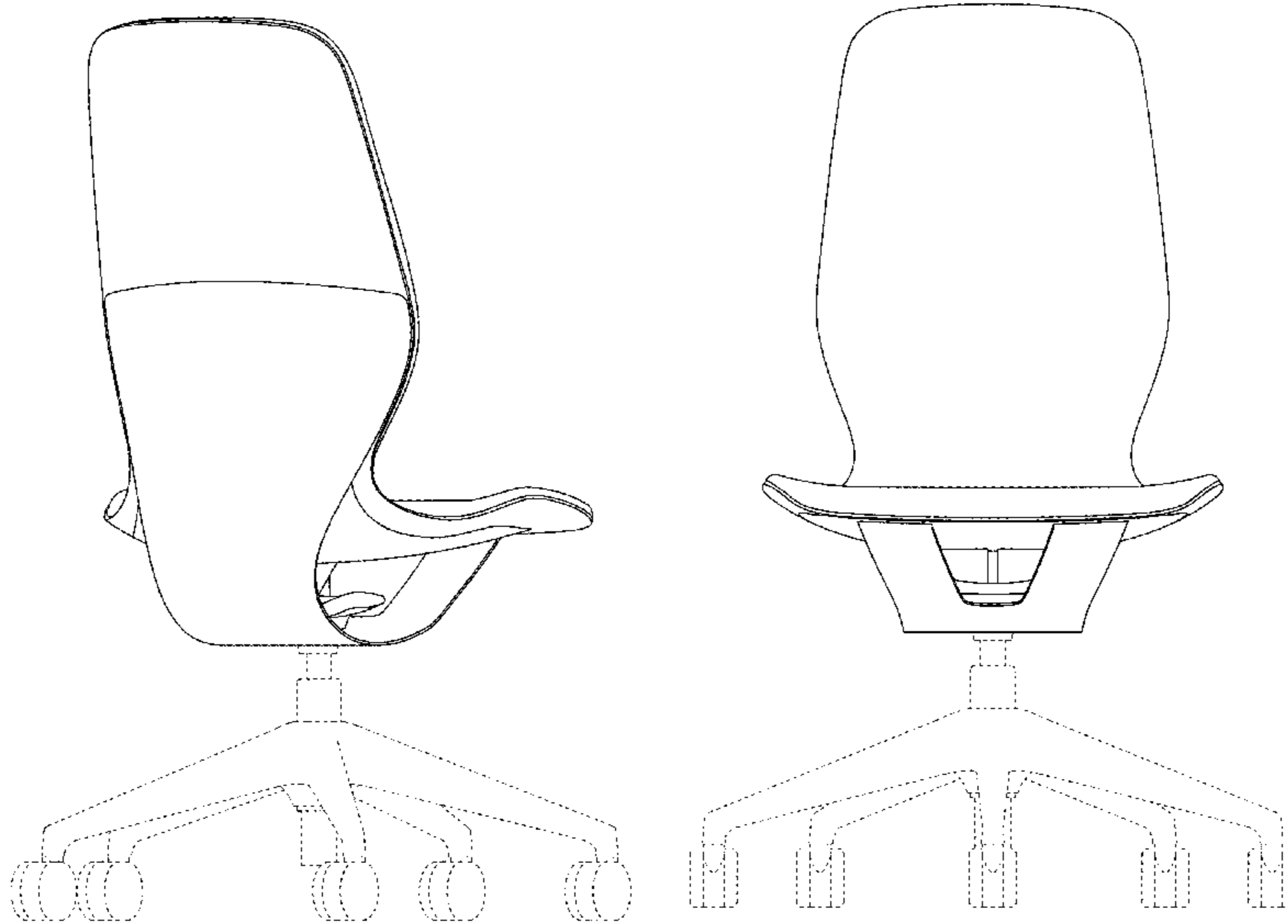
(57) **CLAIM**

The ornamental design for the chair, as shown.

DESCRIPTION

FIG. 1 is a top perspective view of a chair embodying the present invention;
FIG. 2 is a front perspective view of the chair;
FIG. 3 is a rear perspective view of the chair;
FIG. 4 is a front elevational view of the chair;
FIG. 5 is a rear elevational view of the chair;
FIG. 6 is a first side elevational view of the chair;
FIG. 7 is a second side elevational view of the chair;
FIG. 8 is a top plan view of the chair; and,
FIG. 9 is a bottom plan view of the chair.

1 Claim, 9 Drawing Sheets



(56)

References Cited

U.S. PATENT DOCUMENTS

4,500,137 A	2/1985	Morehouse		D510,668 S	10/2005	Eldøy	
4,529,247 A	7/1985	Stumpf et al.		D513,911 S	1/2006	Glass et al.	
4,556,254 A	12/1985	Roberts		D514,339 S	2/2006	Glass et al.	
D284,144 S	6/1986	Pedersen		D516,831 S	3/2006	Eldøy	
D289,120 S	4/1987	Chadwick et al.		D519,294 S	4/2006	Frenkler et al.	
4,668,015 A	5/1987	Kjersem		D522,265 S	6/2006	Glass et al.	
4,744,603 A	5/1988	Knoblock		D525,057 S	7/2006	Koch et al.	
4,856,846 A	8/1989	Lohmeyer		D526,134 S	8/2006	Glass et al.	
4,892,356 A	1/1990	Pittman et al.		D542,553 S	5/2007	Peitz et al.	
D307,221 S	4/1990	Mudge		7,213,886 B2	5/2007	Schmitz et al.	
4,938,530 A	7/1990	Snyder et al.		D544,230 S	6/2007	Glass et al.	
D312,003 S	* 11/1990	Muller-Deisig D6/716	7,226,130 B2	6/2007	Tubergen et al.	
D312,536 S	* 12/1990	Muller-Deisig D6/366	D549,018 S	8/2007	Glass et al.	
4,979,778 A	12/1990	Shields		D553,380 S	10/2007	Natuzzi	
D318,184 S	* 7/1991	Muller-Deisig D6/366	D557,532 S	12/2007	True et al.	
5,050,931 A	9/1991	Knoblock		D561,499 S	2/2008	Schweikarth et al.	
5,067,772 A	11/1991	Koa		D566,979 S	4/2008	Cox et al.	
5,076,646 A	12/1991	Matte		D572,049 S	7/2008	Kerr	
5,102,196 A	4/1992	Kaneda et al.		7,396,077 B2	7/2008	Boulva	
D326,370 S	* 5/1992	Buchacz D6/366	D597,758 S	8/2009	Barrett et al.	
D328,980 S	* 9/1992	Buchacz D6/366	7,600,820 B2	10/2009	Bouche et al.	
D346,909 S	5/1994	Obata et al.		D609,036 S	2/2010	Miller et al.	
5,314,240 A	5/1994	Ishi et al.		D628,831 S	12/2010	Schmitz et al.	
D348,571 S	* 7/1994	Obata D6/366	7,926,879 B2	4/2011	Schmitz et al.	
5,333,934 A	8/1994	Knoblock		D637,017 S	5/2011	Aoki	
5,338,099 A	8/1994	Ishi et al.		7,992,936 B2	8/2011	Schmitz et al.	
5,352,022 A	10/1994	Knoblock		D646,088 S	10/2011	Ballendat	
D353,718 S	12/1994	Olson		D646,511 S	10/2011	Ballendat	
5,411,316 A	5/1995	Lovegrove et al.		D654,280 S	2/2012	Fujita	
5,499,413 A	3/1996	Van Hekken		D654,291 S	2/2012	Pearson et al.	
5,538,326 A	7/1996	Lorbiecki		D660,056 S	5/2012	Difrient	
5,567,012 A	10/1996	Knoblock		D661,915 S	6/2012	Greutmann	
5,577,811 A	11/1996	Ogg		D663,129 S	7/2012	Greutmann	
D381,525 S	7/1997	James		D663,132 S	7/2012	Morrison	
D390,384 S	2/1998	Schultz et al.		D669,279 S	10/2012	EldøY	
5,713,632 A	2/1998	Su		D669,701 S	10/2012	Starck	
D393,968 S	5/1998	Pennington et al.		8,282,169 B2	10/2012	Schmitz et al.	
D394,961 S	6/1998	Fancelli		8,282,172 B2	10/2012	Schmitz et al.	
5,791,736 A	8/1998	Herbert		D670,099 S	11/2012	Olivares	
5,957,534 A	9/1999	Wilkerson et al.		D678,690 S	* 3/2013	Eldoy D6/366
D417,558 S	12/1999	Staubach et al.		D680,765 S	4/2013	Ballendat	
5,997,094 A	12/1999	Cvek		8,414,073 B2	4/2013	Schmitz et al.	
6,079,782 A	6/2000	Berg et al.		D683,558 S	6/2013	Rada et al.	
D433,834 S	11/2000	Neil		D683,979 S	* 6/2013	Miller D6/366
D437,497 S	2/2001	Brauning		8,616,640 B2	12/2013	van Hekken	
6,217,121 B1	4/2001	Mollet		8,657,374 B2	2/2014	Higgs	
D444,307 S	7/2001	Minami		D701,053 S	3/2014	Smith et al.	
D445,613 S	7/2001	Ginat		D705,560 S	5/2014	Sato	
D451,723 S	12/2001	Grove		D707,461 S	6/2014	Rada et al.	
D456,625 S	5/2002	Frenkler et al.		D715,573 S	10/2014	Lloyd et al.	
6,409,268 B1	6/2002	Cvek		D723,826 S	3/2015	Kaloustian et al.	
D470,320 S	2/2003	Schloss		D729,538 S	5/2015	Kotilainen	
D473,407 S	4/2003	Ross		9,049,936 B2	6/2015	Leone et al.	
6,634,717 B2	10/2003	Kown		D733,445 S	7/2015	Izawa et al.	
6,722,735 B2	4/2004	Lucci et al.		D742,153 S	11/2015	Hui et al.	
6,786,548 B2	9/2004	Heidmann et al.		D743,180 S	11/2015	Mehaffey et al.	
D498,070 S	11/2004	Sauer		D759,414 S	6/2016	Mehaffey et al.	
6,817,667 B2	11/2004	Pennington et al.		D761,579 S	* 7/2016	Lievore D6/366
D507,437 S	7/2005	Klaasen et al.		2007/0205648 A1	9/2007	Huang	
D507,909 S	8/2005	Grove		2009/0261644 A1	10/2009	Piretti	
6,935,690 B2	8/2005	Lucci et al.		2012/0228911 A1	9/2012	Piretti	
				2013/0099548 A1	4/2013	Schmitz et al.	
				2014/0077573 A1	3/2014	Schneider et al.	

* cited by examiner

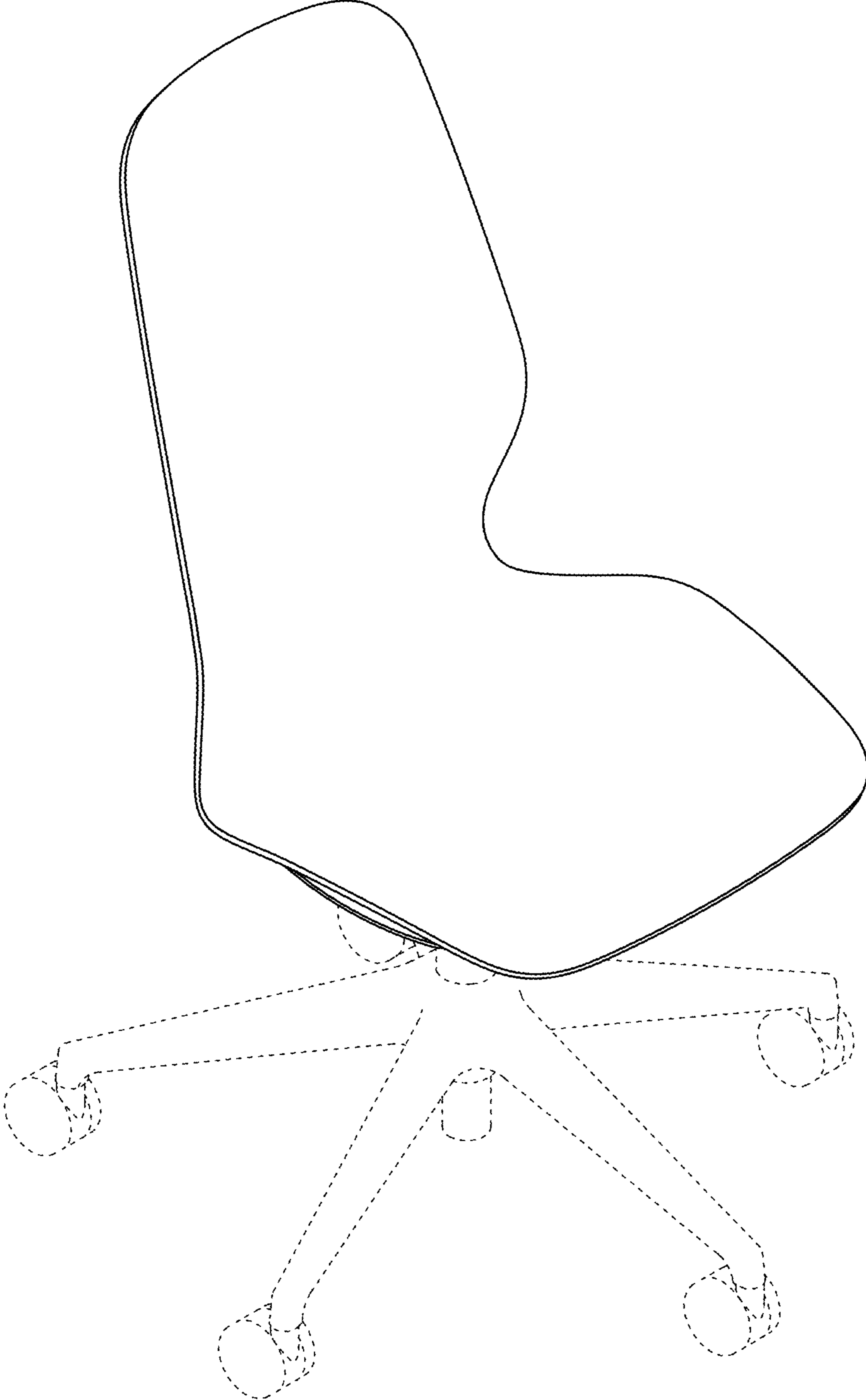


FIG. 1

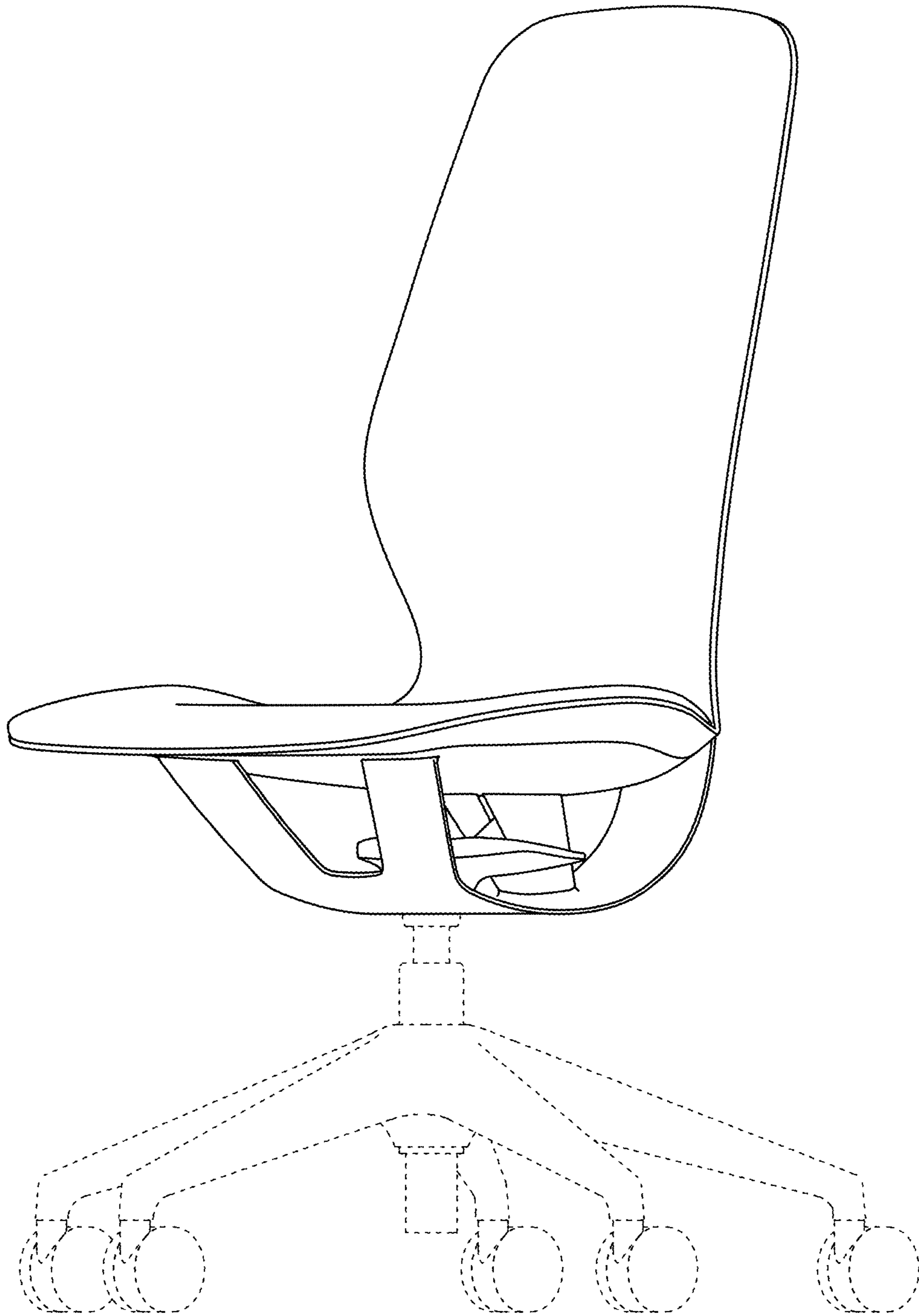


FIG. 2

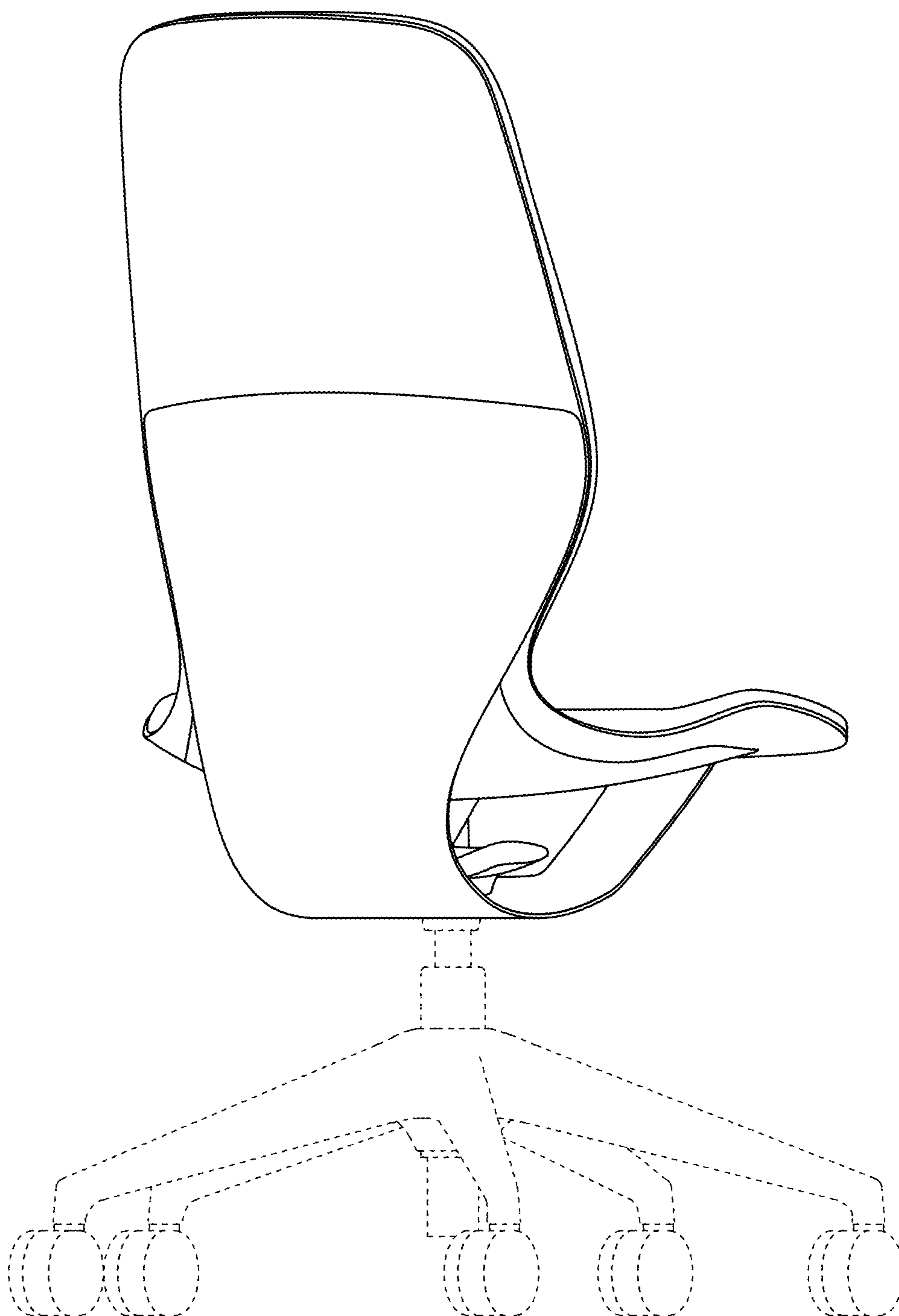


FIG. 3

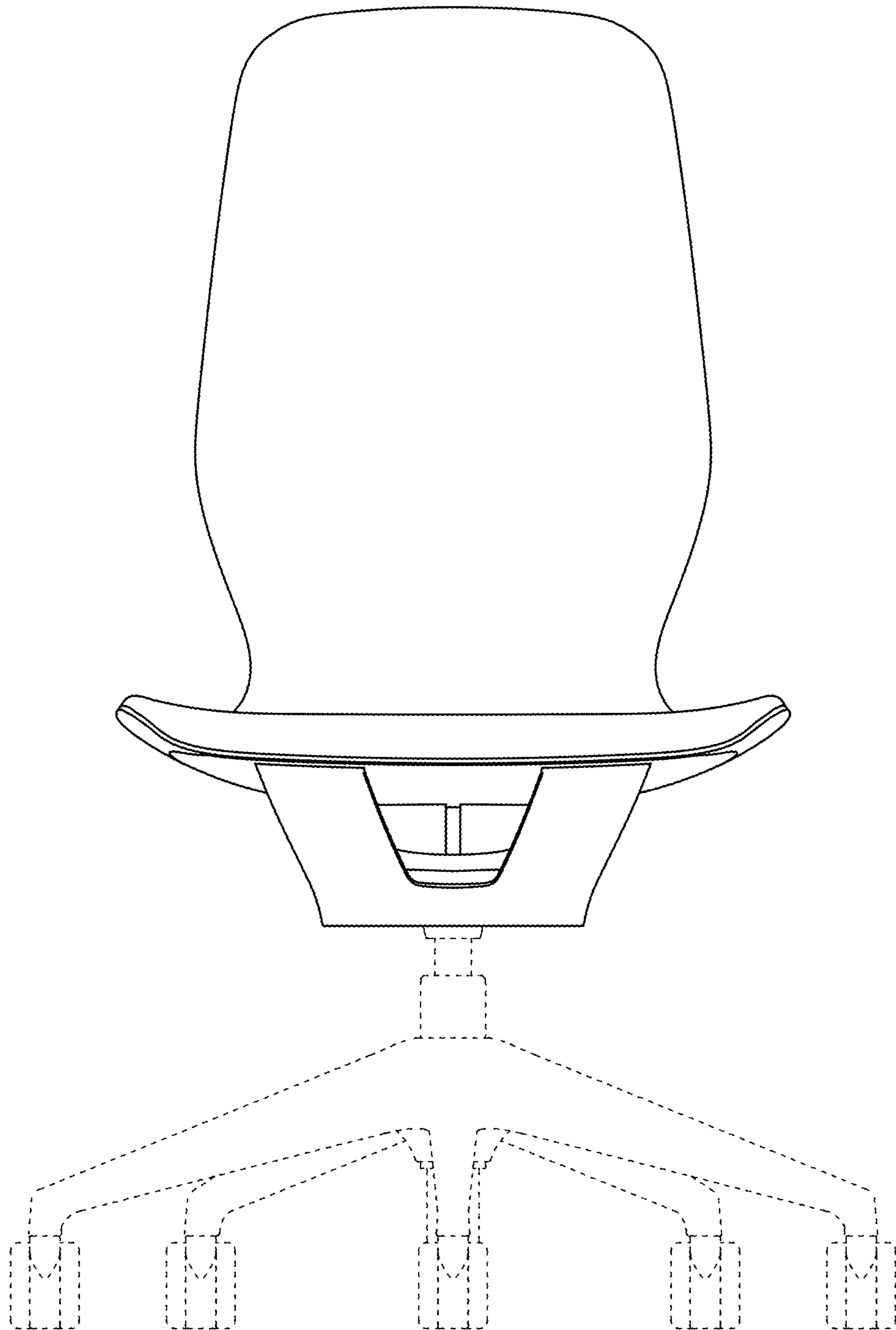


FIG. 4

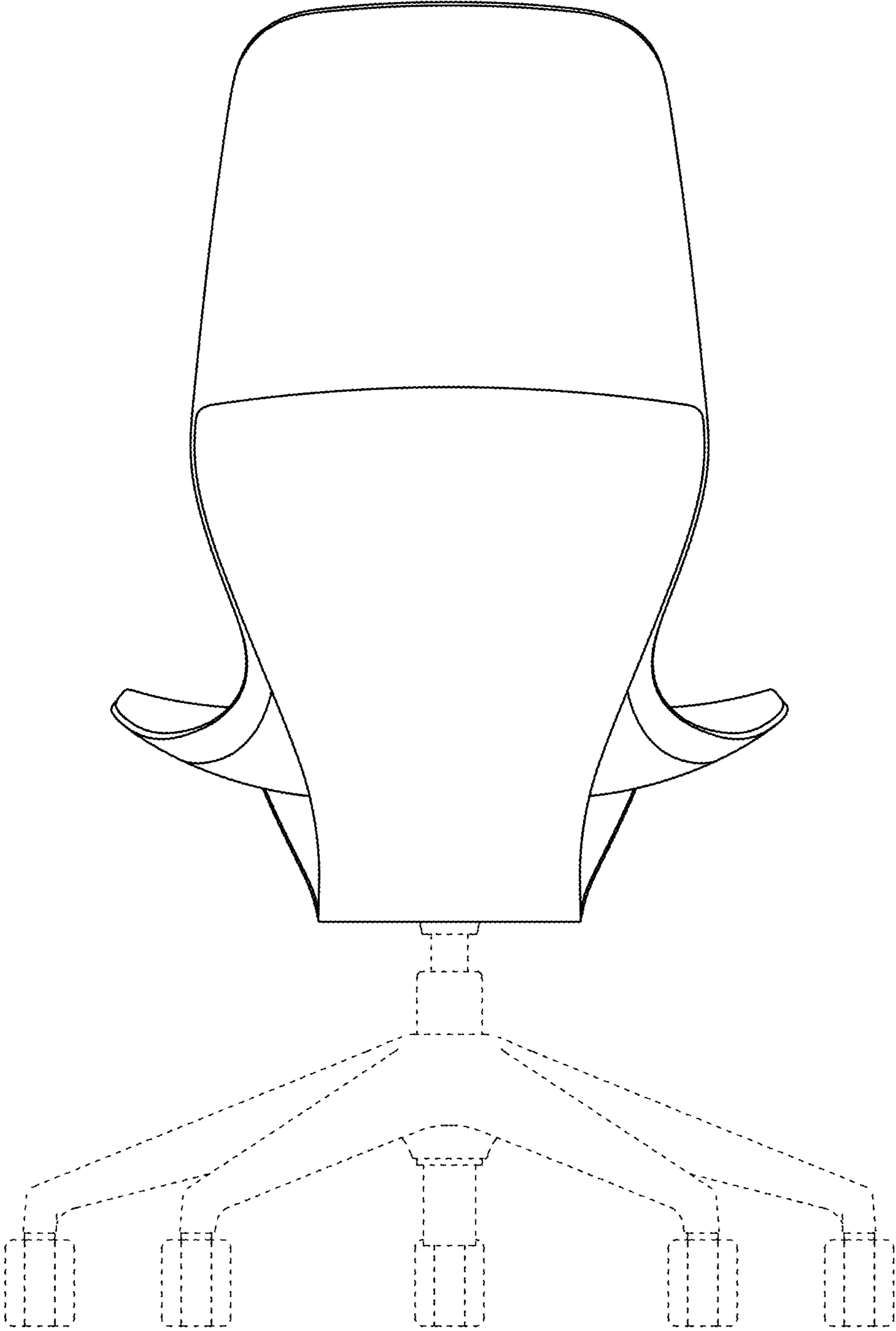


FIG. 5

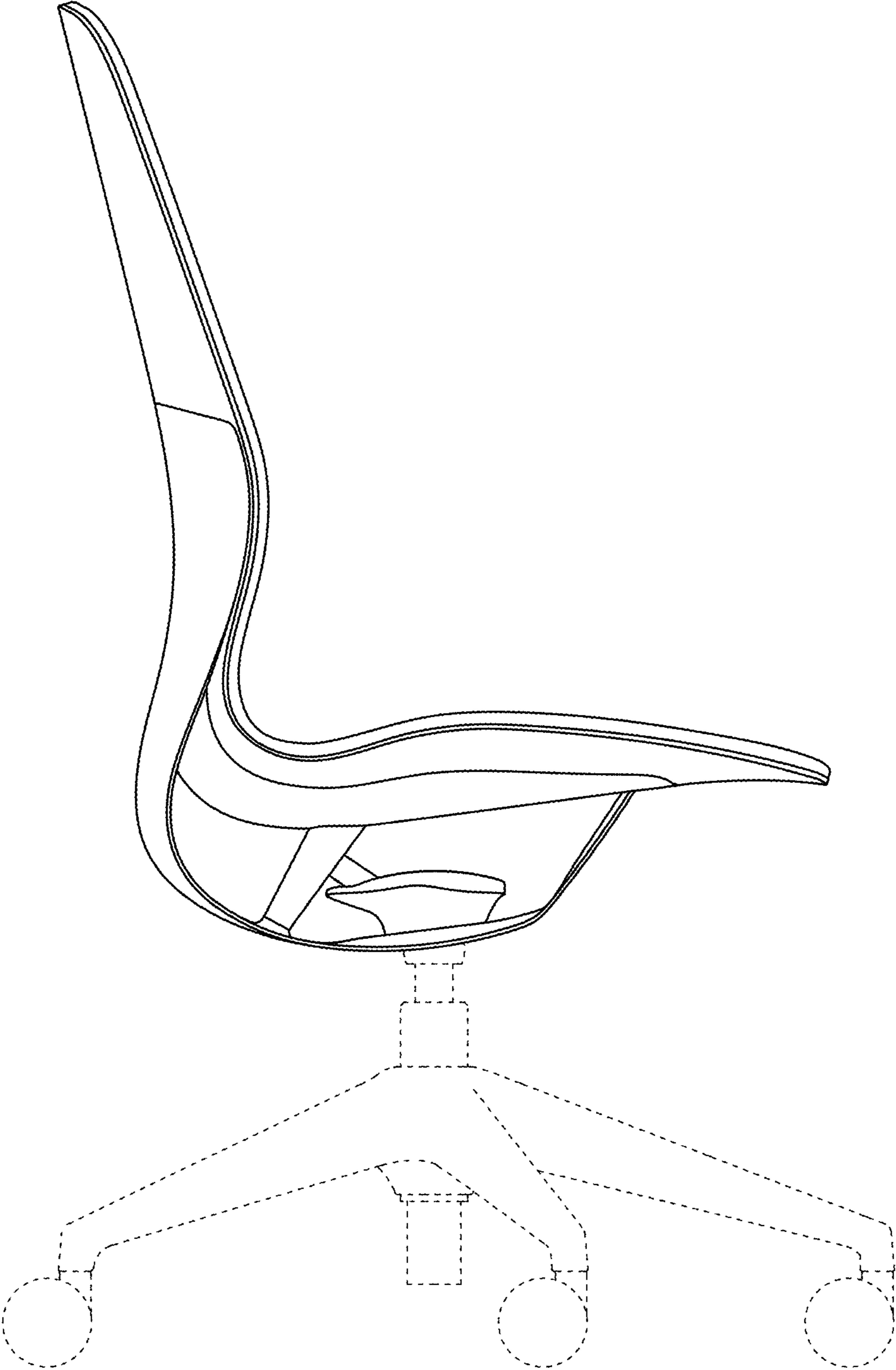


FIG. 6

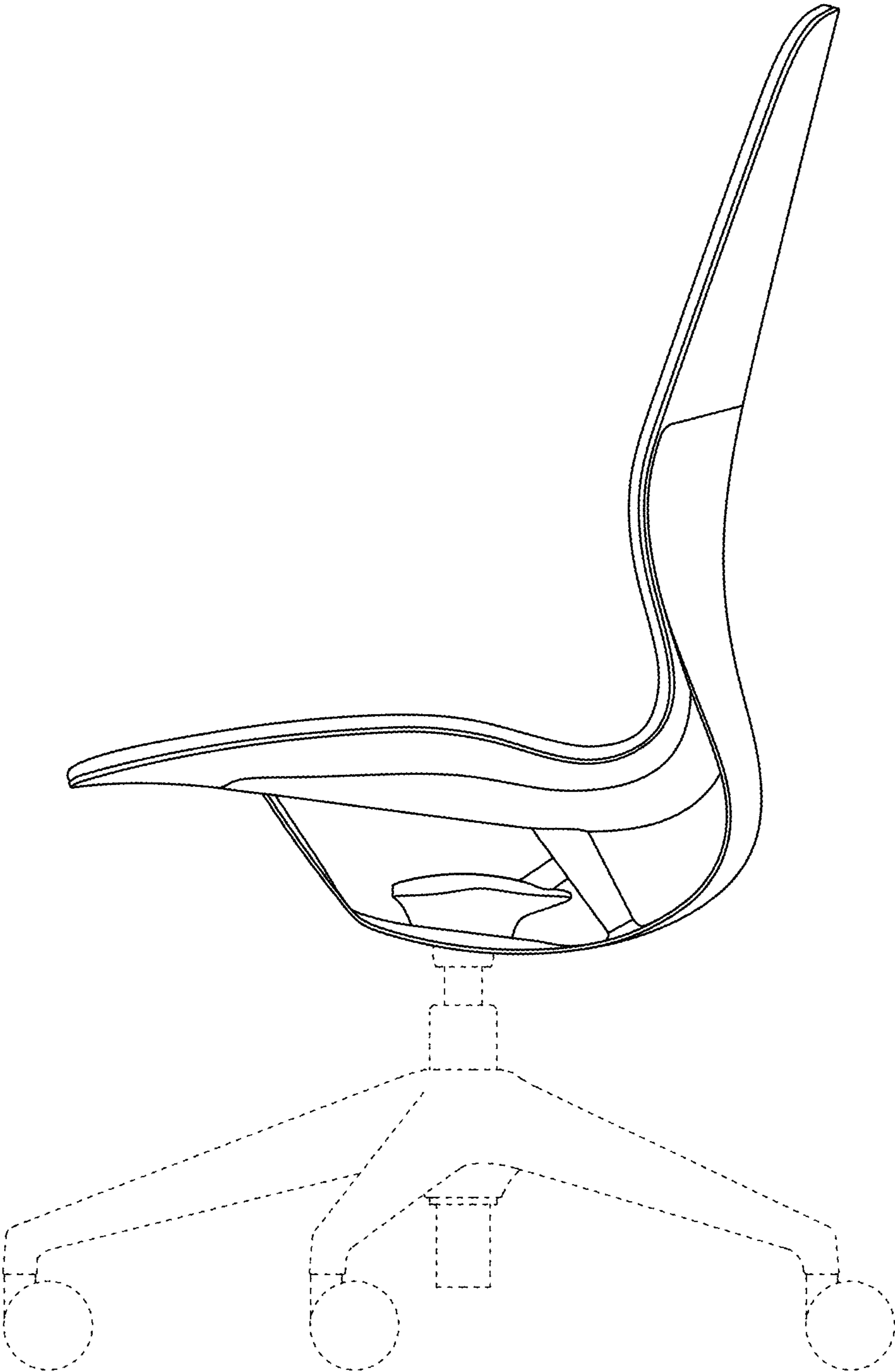


FIG. 7

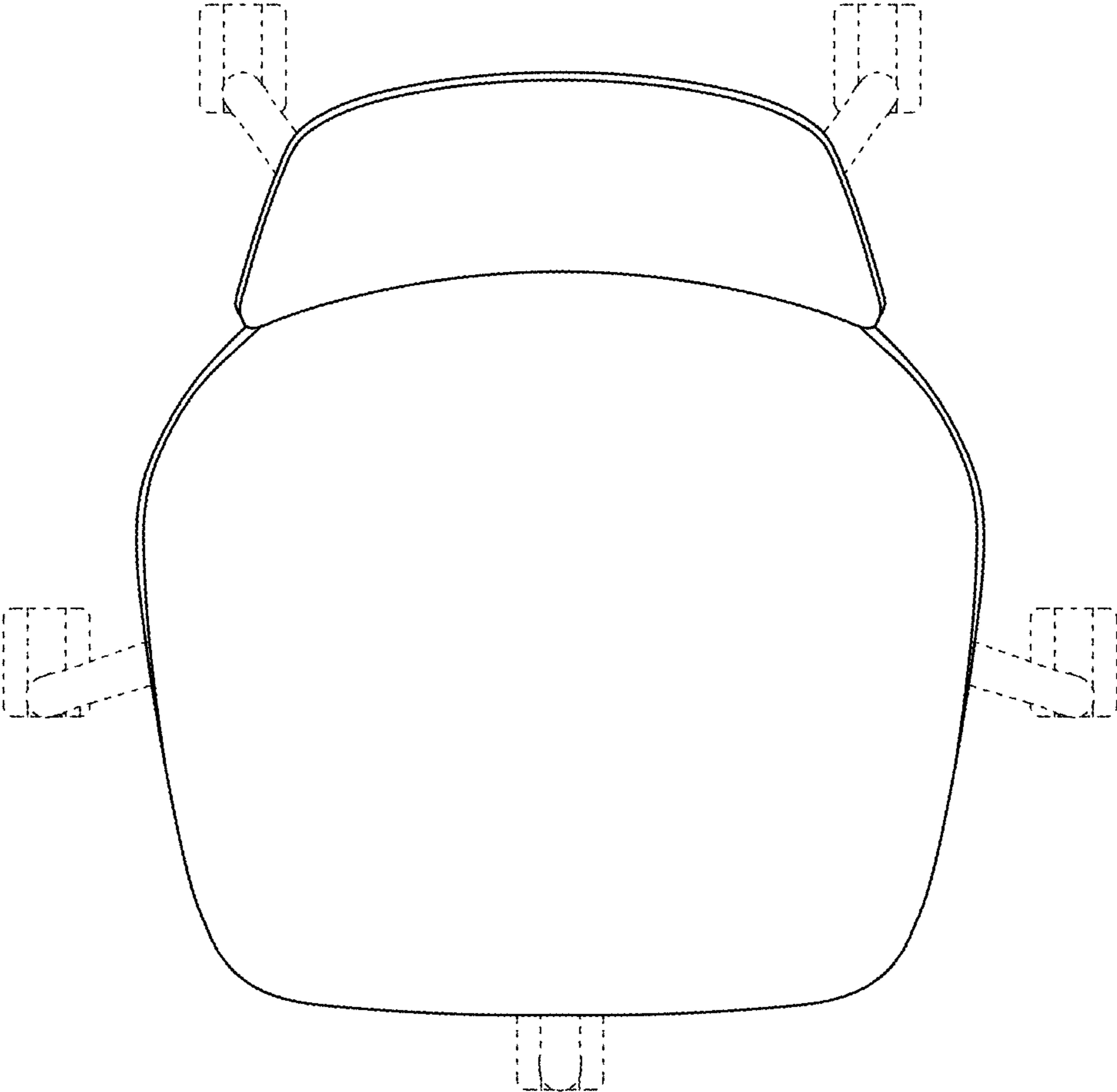


FIG. 8

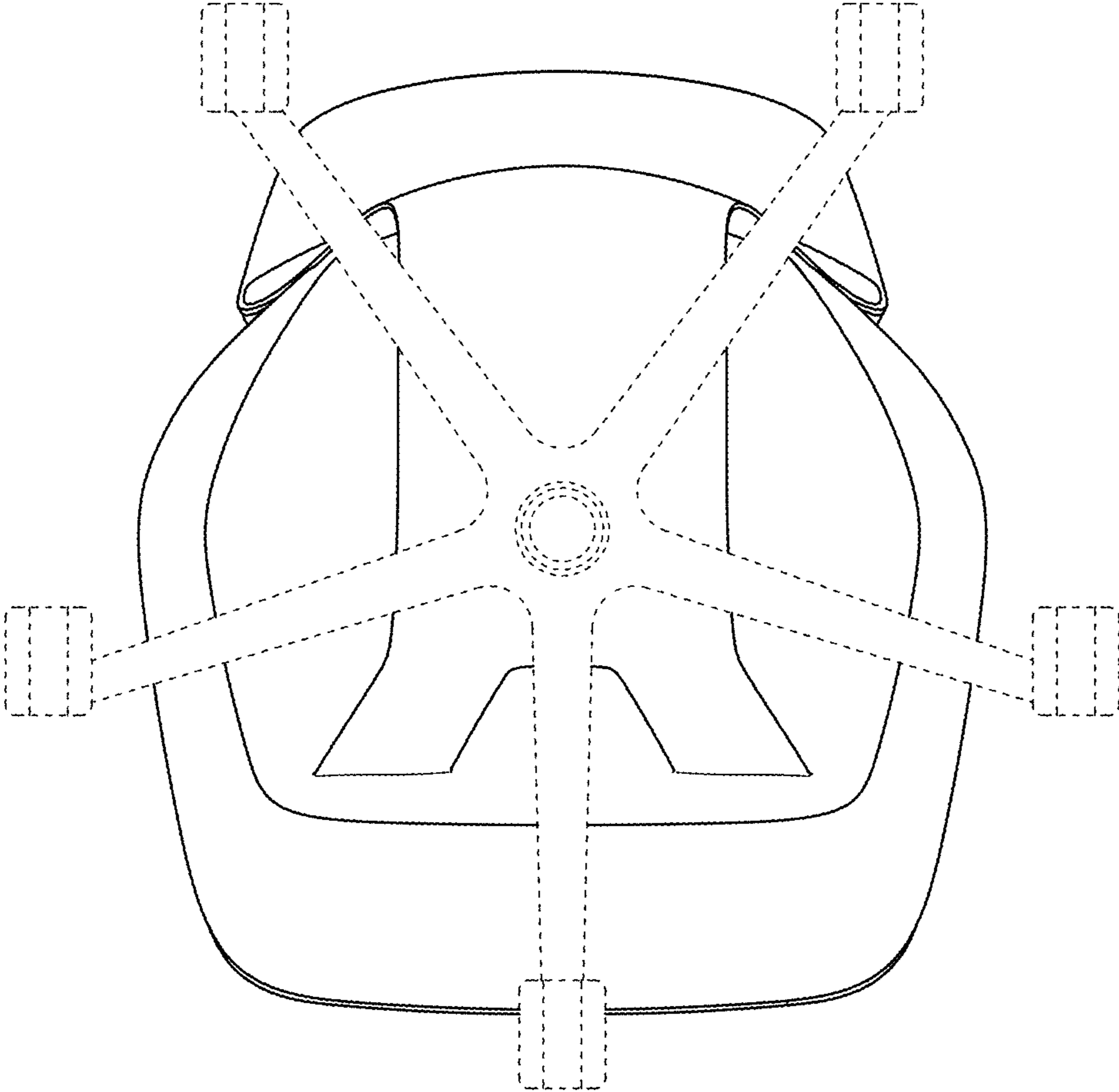


FIG. 9