



US00D804872S

(12) **United States Design Patent** (10) **Patent No.:** **US D804,872 S**
Price et al. (45) **Date of Patent:** **** Dec. 12, 2017**

(54) **OUTDOOR CABINET** 3,438,676 A * 4/1969 Brosk A47C 3/16
297/451.6
(71) Applicant: **Mortarless Technologies LLC,** D236,935 S * 9/1975 Frazelle D6/683
Rochester, MN (US) D256,644 S * 9/1980 Marks D6/683.1
D297,083 S * 8/1988 Olovsson D6/683
(72) Inventors: **Brian A. Price,** Rochester, MN (US); D362,125 S * 9/1995 Crust D6/349
Drew Wohlfiel, Mantorville, MN (US) D365,932 S * 1/1996 Reynolds D30/101
D368,604 S * 4/1996 Gotham D6/657
(73) Assignee: **Mortarless Technologies LLC,**
Rochester, MN (US) (Continued)

(**) Term: **15 Years**
(21) Appl. No.: **29/552,780**

(22) Filed: **Jan. 26, 2016**
(51) **LOC (10) Cl.** **06-03**
(52) **U.S. Cl.**
USPC **D6/699.2; D7/403; D7/333**

(58) **Field of Classification Search**
USPC ... D6/349–350, 364–368, 369, 74, 375, 403,
D6/405, 406.6, 654–654.1, 657, 671,
D6/678–678.2, 682.6, 683–683.1, 684,
D6/686, 690, 691, 691.8–691.9, 695, 698,
D6/699, 699.1–699.5, 705, 705.5, 707.19,
D6/708, 708.21, 716; 297/284.4, 451.6,
297/452.18, 452.24, 452.26, 452.28,
297/452.32–33, 452.37; D30/101, 118;
D7/333, 403; D15/145; D23/345;
126/25 AA
CPC A47C 7/02; A47C 7/44; A47C 7/46; A47C
7/48; A47C 7/54; A47C 7/386; A47C
7/462; A47C 1/10; A47C 1/031; B60N
2/02; B60N 2/22; B60N 2/44; A47F
7/145; A47F 7/0035; A47F 7/283; A47F
9/00
See application file for complete search history.

(56) **References Cited**
U.S. PATENT DOCUMENTS
D93,849 S * 11/1934 Rodstein D6/699
D103,719 S * 3/1937 Flanagan D6/683.1

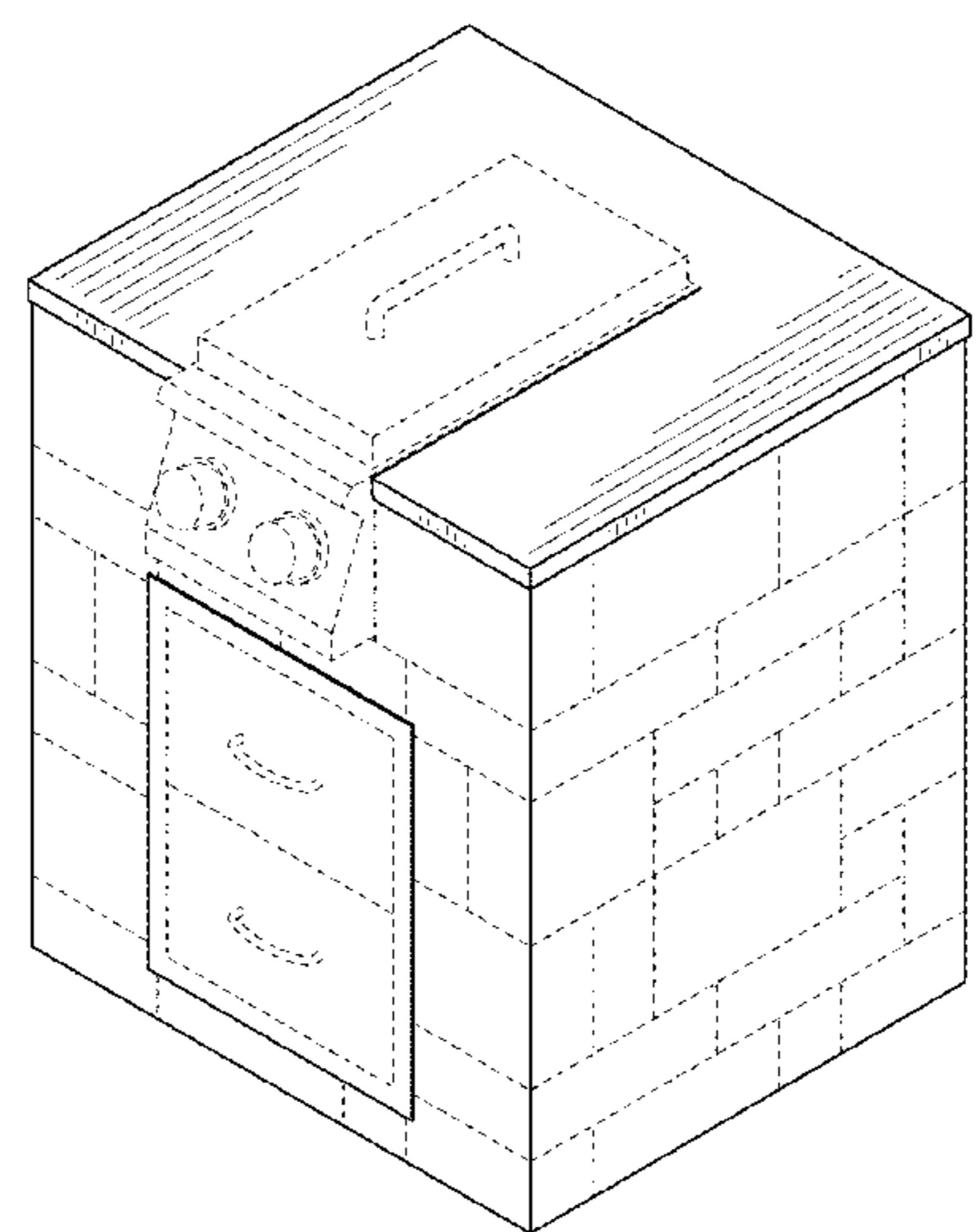
OTHER PUBLICATIONS
AB Courtyard Collection, "Build a Free-Standing Bar," How-to
sheet #330, copyright 2007, 2 pages.
(Continued)

Primary Examiner — Ian Simmons
Assistant Examiner — Keith Wilson
(74) *Attorney, Agent, or Firm* — Fish & Richardson P.C.

(57) **CLAIM**
The ornamental design for a outdoor cabinet, as shown and
described.

DESCRIPTION
FIG. 1 is a perspective view of a outdoor cabinet.
FIG. 2 is a front view of the outdoor cabinet of FIG. 1.
FIG. 3 is a back view of the outdoor cabinet of FIG. 1.
FIG. 4 is a left side view of the outdoor cabinet of FIG. 1.
FIG. 5 is a right side view of the outdoor cabinet of FIG. 1.
FIG. 6 is a top view of the outdoor cabinet of FIG. 1.
FIG. 7 is a bottom view of the outdoor cabinet of FIG. 1.
FIG. 8 is an illustration of the outdoor cabinet of FIG. 1 as
part of a first exemplary outdoor kitchen; and,
FIG. 9 is an illustration of the outdoor cabinet of FIG. 1 as
part of a second exemplary outdoor kitchen.
The broken lines depict environment and form no part of the
claimed design. Shade lines are not an indication of surface
texture or gloss.

1 Claim, 6 Drawing Sheets



(56)

References Cited

U.S. PATENT DOCUMENTS

D377,721	S	*	2/1997	Pohlman	D6/657
D406,705	S	*	3/1999	Zaidman	D6/657
D478,435	S	*	8/2003	Brownfield	D6/675
D496,805	S	*	10/2004	Anderson	D6/671
D542,478	S	*	5/2007	Andriola	D30/118
D549,035	S	*	8/2007	Chung	D7/333
D588,825	S	*	3/2009	van Ierssel	D6/369
D626,981	S	*	11/2010	Okamoto	D15/145
D627,994	S	*	11/2010	Wahl	D6/708
D647,332	S	*	10/2011	Pederson	D6/699
D648,155	S	*	11/2011	Ernst	D6/699
D653,878	S	*	2/2012	Ernst	D6/699
D661,118	S	*	6/2012	Massaud	D6/374
D679,516	S	*	4/2013	Zannella	D6/375
D696,758	S	*	12/2013	Ernst	D23/345
8,607,776	B2	*	12/2013	Jansson	A47J 37/0704 126/25 AA
D703,466	S	*	4/2014	Franck	D6/675
D704,906	S	*	5/2014	Diskin	D30/118
D706,066	S	*	6/2014	Ernst	D6/699
D718,502	S	*	11/2014	Paculdo	D30/118
D722,788	S	*	2/2015	Everson	D6/657
D727,072	S	*	4/2015	Sorel	D6/683
D741,096	S	*	10/2015	Leduc	D6/705
D743,190	S	*	11/2015	Franck	D6/675
D751,311	S	*	3/2016	Schroeder	D6/364

OTHER PUBLICATIONS

AB Courtyard Collection, "Build an Outdoor Kitchen," How-to sheet #340, copyright 2008, 2 pages.
 AB Courtyard Collection, "Building a BBQ Grilling Station," How-to sheet #290, copyright 2003-2005, 2 pages.
 AB Courtyard Collection, "Building an Outdoor Kitchen," How-to-sheet #341, copyright 2009, 5 pages.
 Allan Block, Top 12 Outdoor Weekend Project Ideas, retrieved from the Internet: <URL: <http://www.allanblock.com/projects/weekend-projects.aspx>>, 2 pages, archived on Dec. 11, 2013.
 Anchor Block Products, "Outdoor Living Kits," retrieved from the Internet <URL: <http://anchorblock.com/products/Fire-pits-and-fire-places/default.aspx>>, 15 pages, archived Oct. 16, 2015.
 Anchor, "2015 Landscape Collection," copyright 2015, 60 pages.
 Anchor, "Do-It-Yourself Landscape Ideas," Jan. 2014, 20 pages.
 Anchor, "Easy Weekend Project Ideas," 2015, 24 pages.
 Keystone Hardscapes, Country Manor 2-pc Grill Station Kit, 2013, 14 pages.
 Keystone Hardscapes, Country Manor 2-pc Kitchen Linear Kit, 2015, 18 pages.

Keystone Hardscapes, Country Manor 3-pc Grill Station1 Kit, 2015, 18 pages.
 Keystone Hardscapes, Country Manor 3-pc Grill Station2 Kit, 2012, 6 pages.
 Keystone Hardscapes, Country Manor 3-pc Kitchen Linear Kit, 2015, 18 pages.
 Keystone Hardscapes, Country Manor 3-pc Kitchen L-shape Kit, 2015, 16 pages.
 Versa-Lok, Residential Idea Book, retrieved from the Internet: <URL: <http://www.versa-lok.com/idea-book/residential>>, 14 pages, archived Oct. 12, 2015.
 Willow Creek Landscape Kits for Outdoor Living, retrieved from the Internet: <URL: <http://www.willowcreekpavingstones.com/willow-creek-outdoor-kits>>, 5 pages, archived Feb. 22, 2015.
 WillowCreek, "Ledgestone Bar and Grill Kit," retrieved from the Internet: <URL: <http://www.willowcreekpavingstones.com/sites/default/files/docs/pdf/BarGri112013 Print.pdf>>, 2013, 1 page.
 WillowCreek, "Ledgestone Grill Kit," retrieved from the Internet: <<https://www.patiotown.com/sites/default/files/files/Grill%20Kits%202013.pdf>>, 2013, 1 page.
 WillowCreek, "Outdoor Fireplace Kit," 2012, 1 page.
 U.S. Appl. No. 29/552,756, filed Jan. 26, 2016, Price et al.
 U.S. Appl. No. 29/552,752, filed Jan. 26, 2016, Price et al.
 U.S. Appl. No. 29/552,769, filed Jan. 26, 2016, Price et al.
 U.S. Appl. No. 29/552,760, filed Jan. 26, 2016, Price et al.
 U.S. Appl. No. 29/552,784, filed Jan. 26, 2016, Price et al.
 U.S. Appl. No. 29/552,763, filed Jan. 26, 2016, Price et al.
 U.S. Appl. No. 29/552,766, filed Jan. 26, 2016, Price et al.
 U.S. Appl. No. 29/552,778, filed Jan. 26, 2016, Price et al.
 U.S. Appl. No. 29/552,773, filed Jan. 26, 2016, Price et al.
 U.S. Appl. No. 29/552,786, filed Jan. 26, 2016, Price et al.
 U.S. Appl. No. 29/552,776, filed Jan. 26, 2016, Price et al.
 U.S. Appl. No. 29/552,782, filed Jan. 26, 2016, Price et al.
 U.S. Appl. No. 29/552,789, filed Jan. 26, 2016, Price et al.
 U.S. Appl. No. 29/552,794, filed Jan. 26, 2016, Price et al.
 U.S. Appl. No. 29/552,795, filed Jan. 26, 2016, Price et al.
 U.S. Appl. No. 29/552,805, filed Jan. 26, 2016, Price et al.
 U.S. Appl. No. 29/552,809, filed Jan. 26, 2016, Price et al.
 U.S. Appl. No. 29/552,802, filed Jan. 26, 2016, Price et al.
 U.S. Appl. No. 29/552,817, filed Jan. 26, 2016, Price et al.
 U.S. Appl. No. 29/552,806, filed Jan. 26, 2016, Price et al.
 U.S. Appl. No. 29/552,813, filed Jan. 26, 2016, Price et al.
 U.S. Appl. No. 29/552,845, filed Jan. 26, 2016, Price et al.
 U.S. Appl. No. 29/552,853, filed Jan. 26, 2016, Price et al.
 U.S. Appl. No. 29/552,846, filed Jan. 26, 2016, Price et al.
 U.S. Appl. No. 29/552,858, filed Jan. 26, 2016, Price et al.
 U.S. Appl. No. 29/552,849, filed Jan. 26, 2016, Price et al.

* cited by examiner

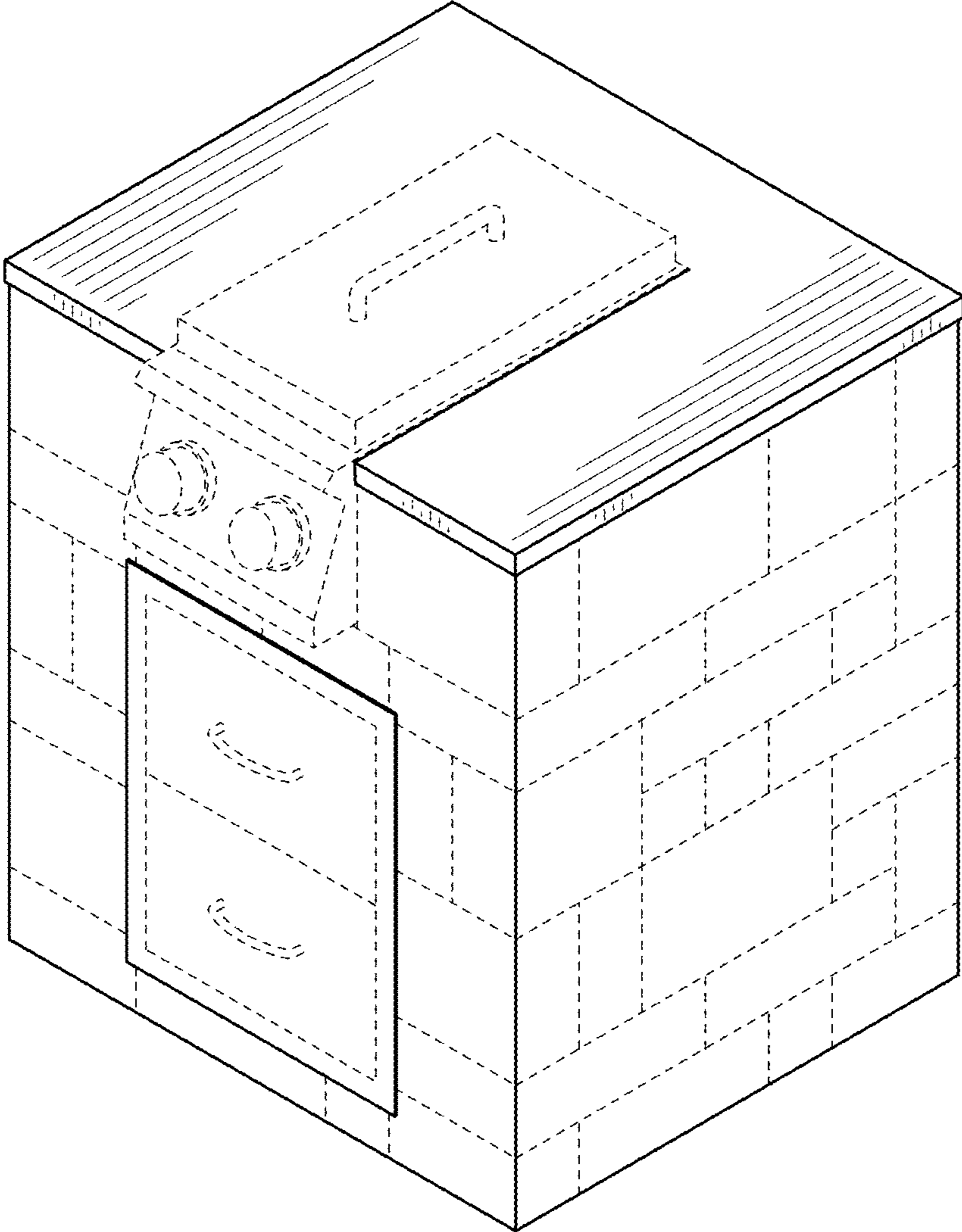


FIG. 1

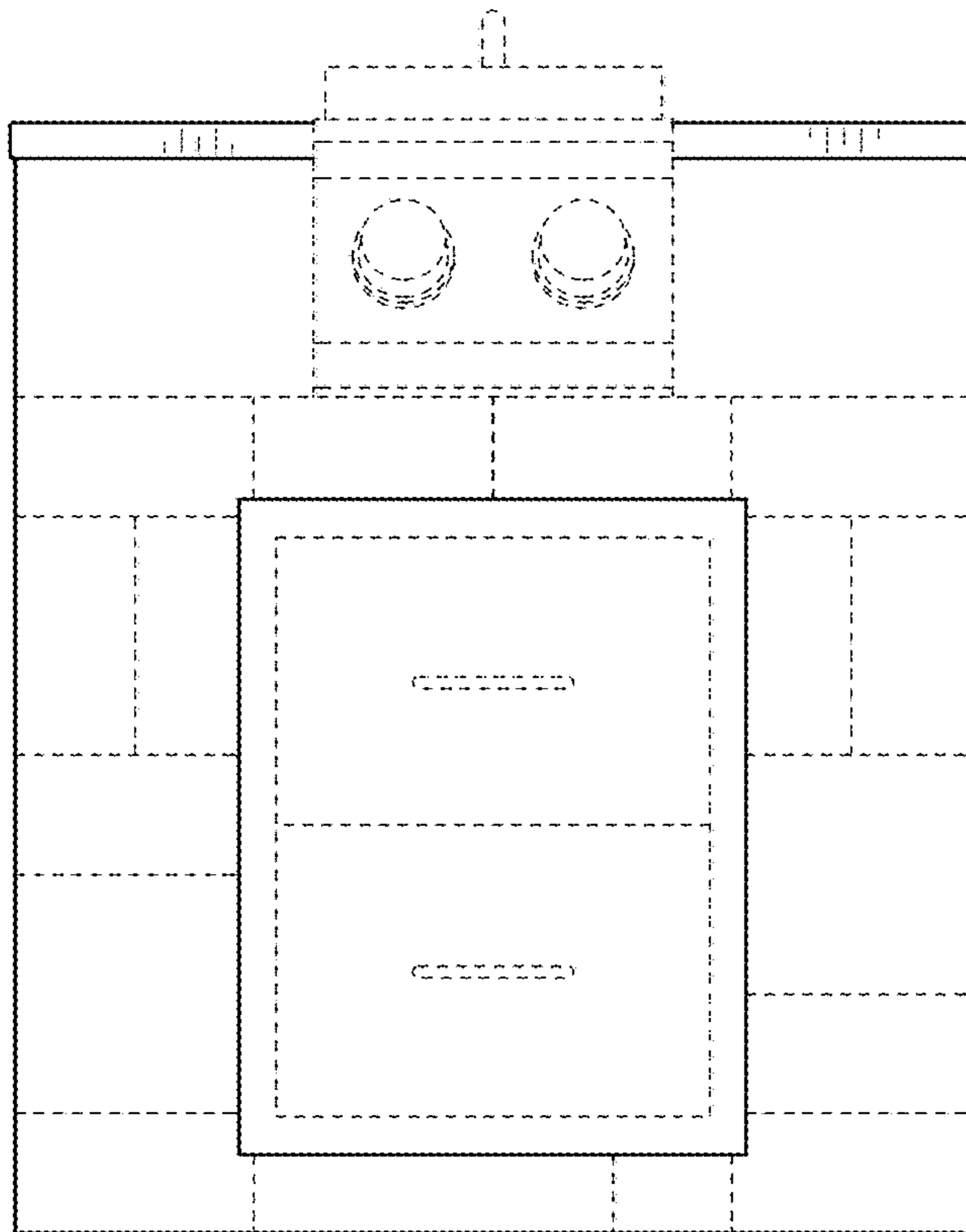


FIG. 2

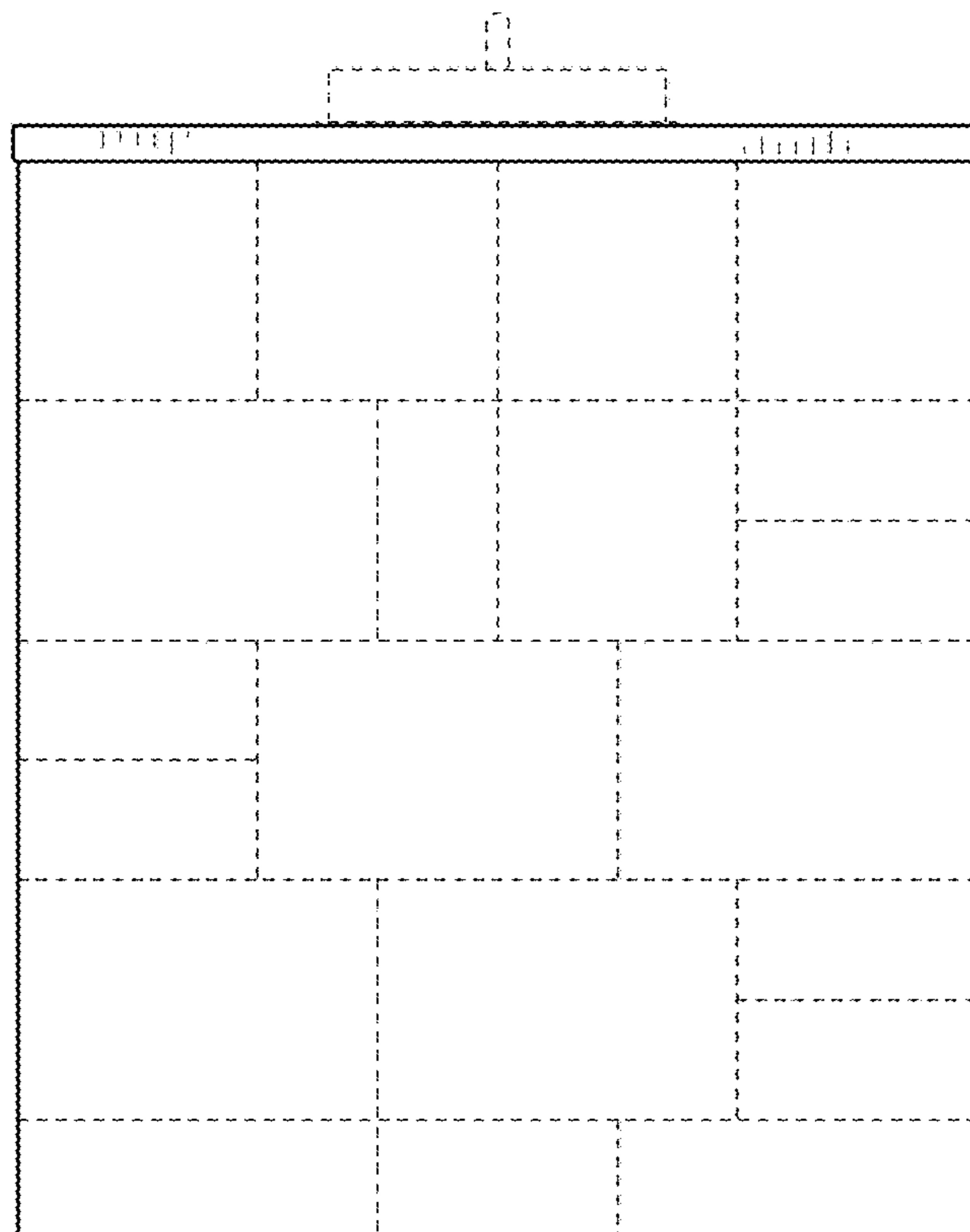


FIG. 3

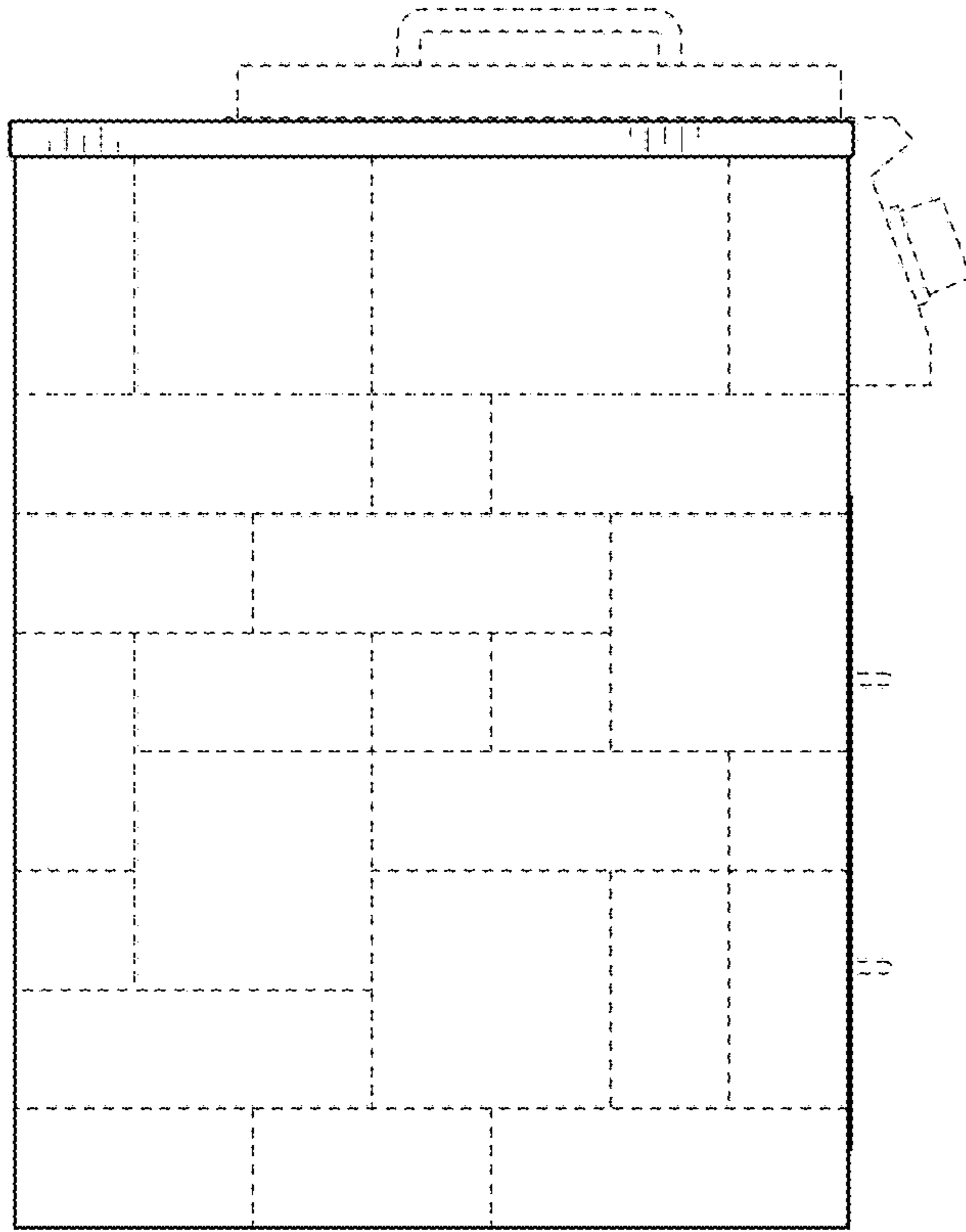


FIG. 4

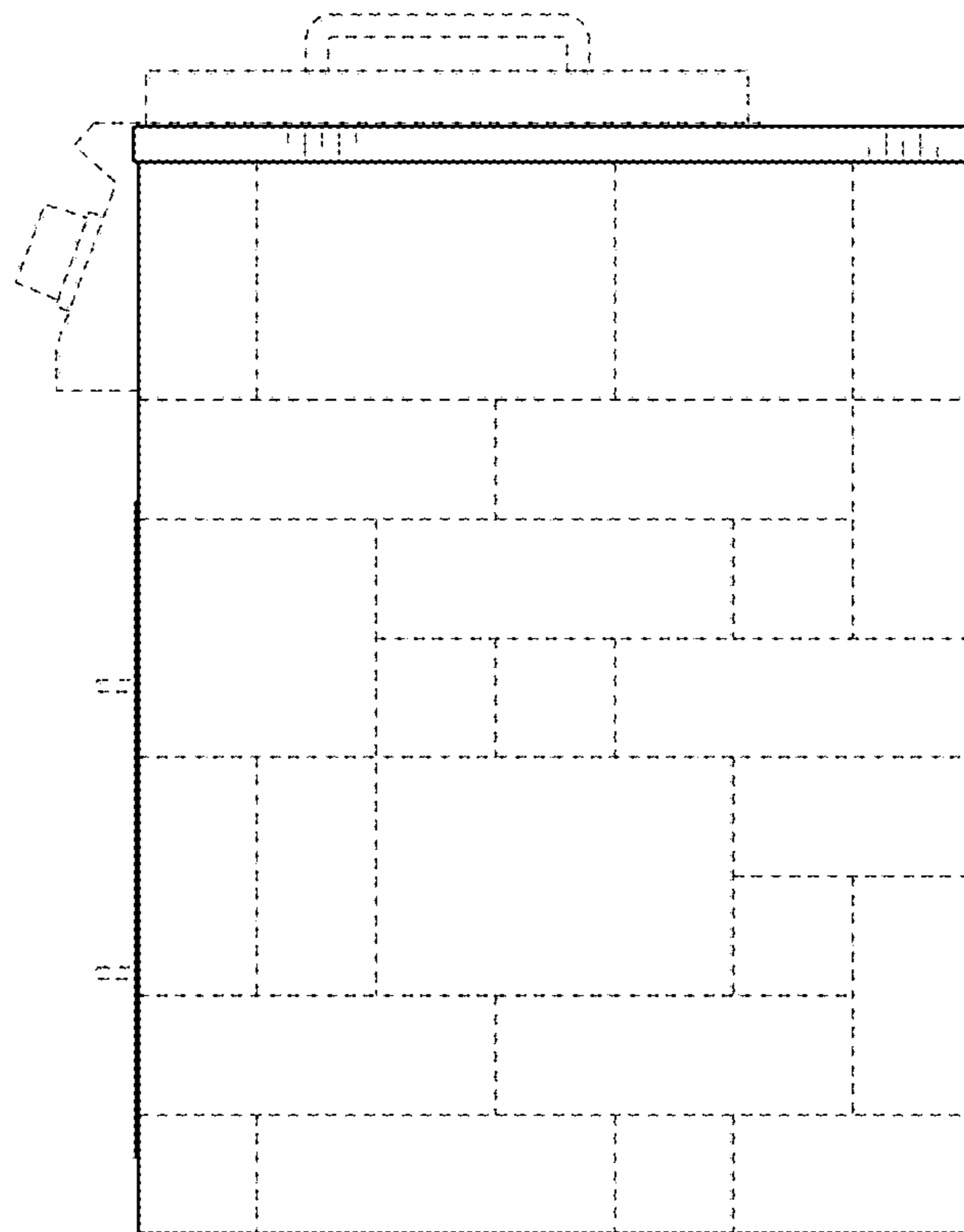


FIG. 5

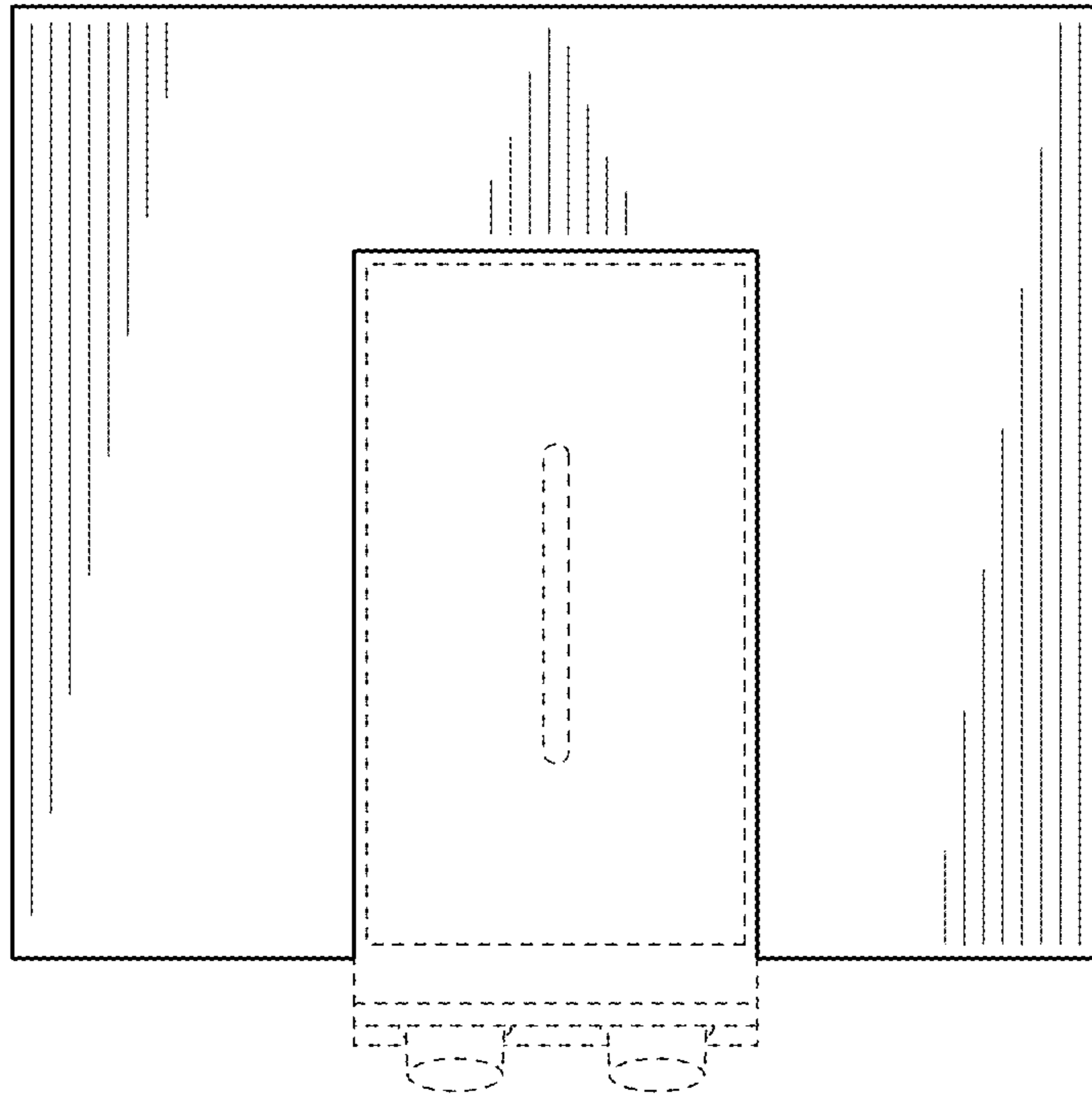


FIG. 6

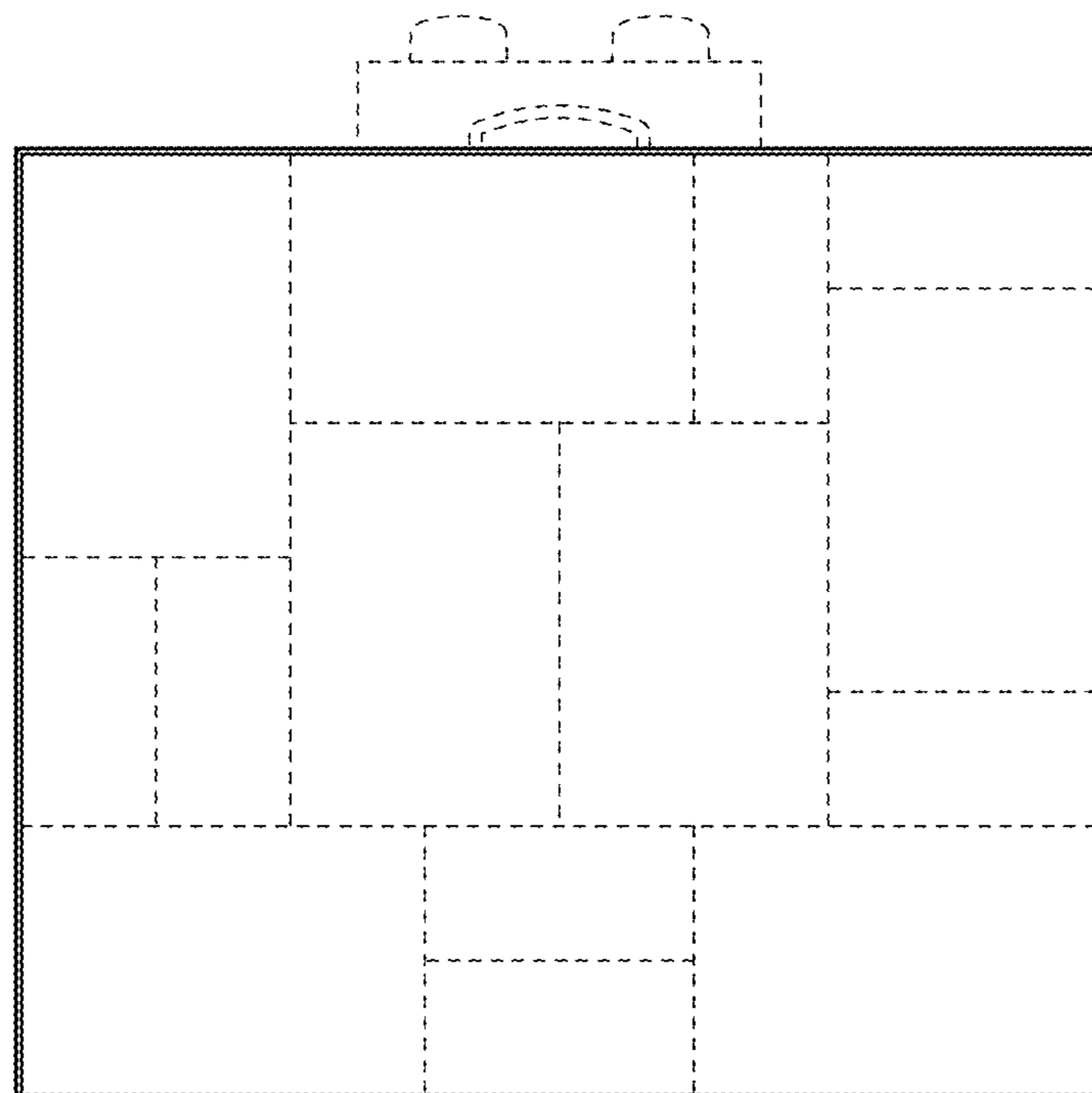


FIG. 7

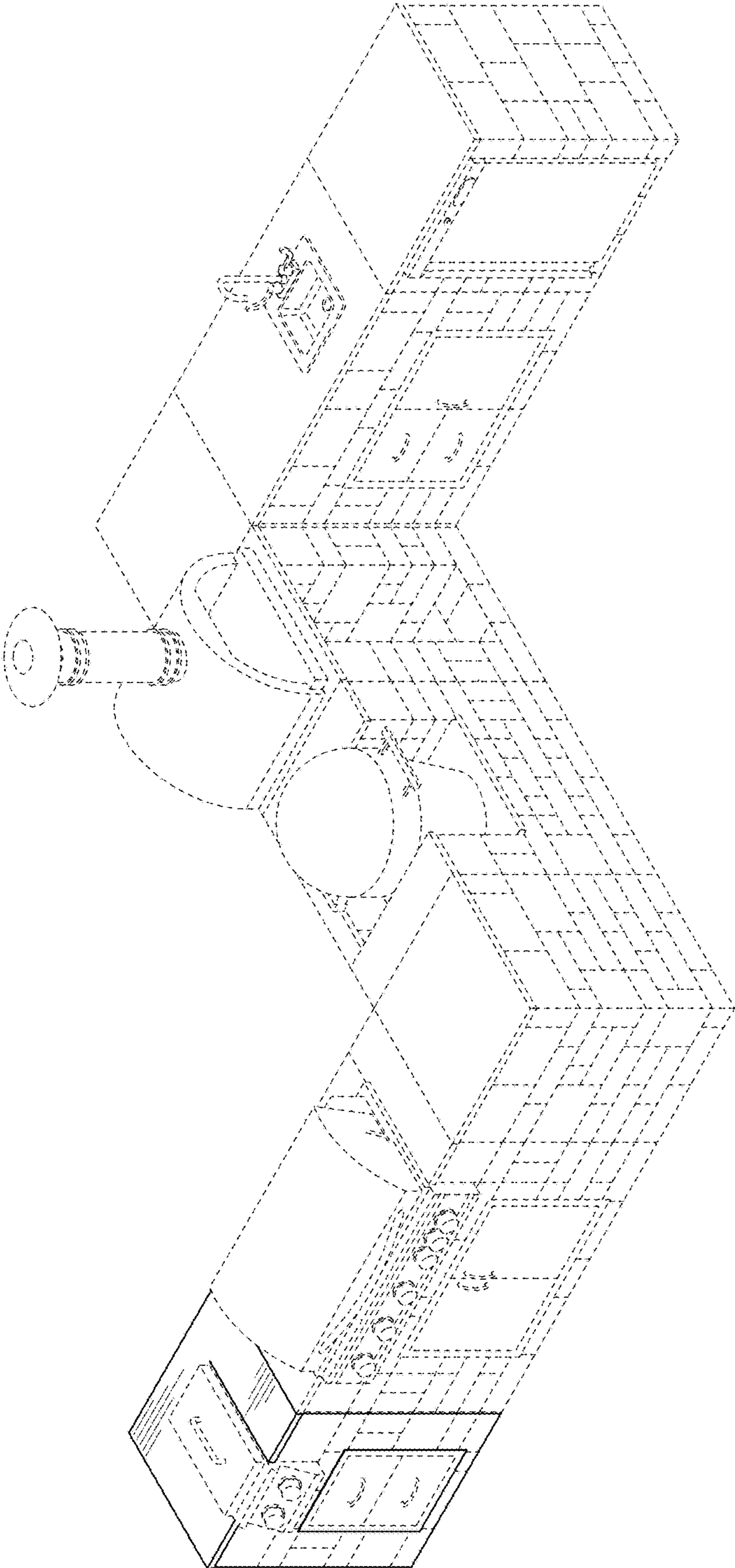


FIG. 8

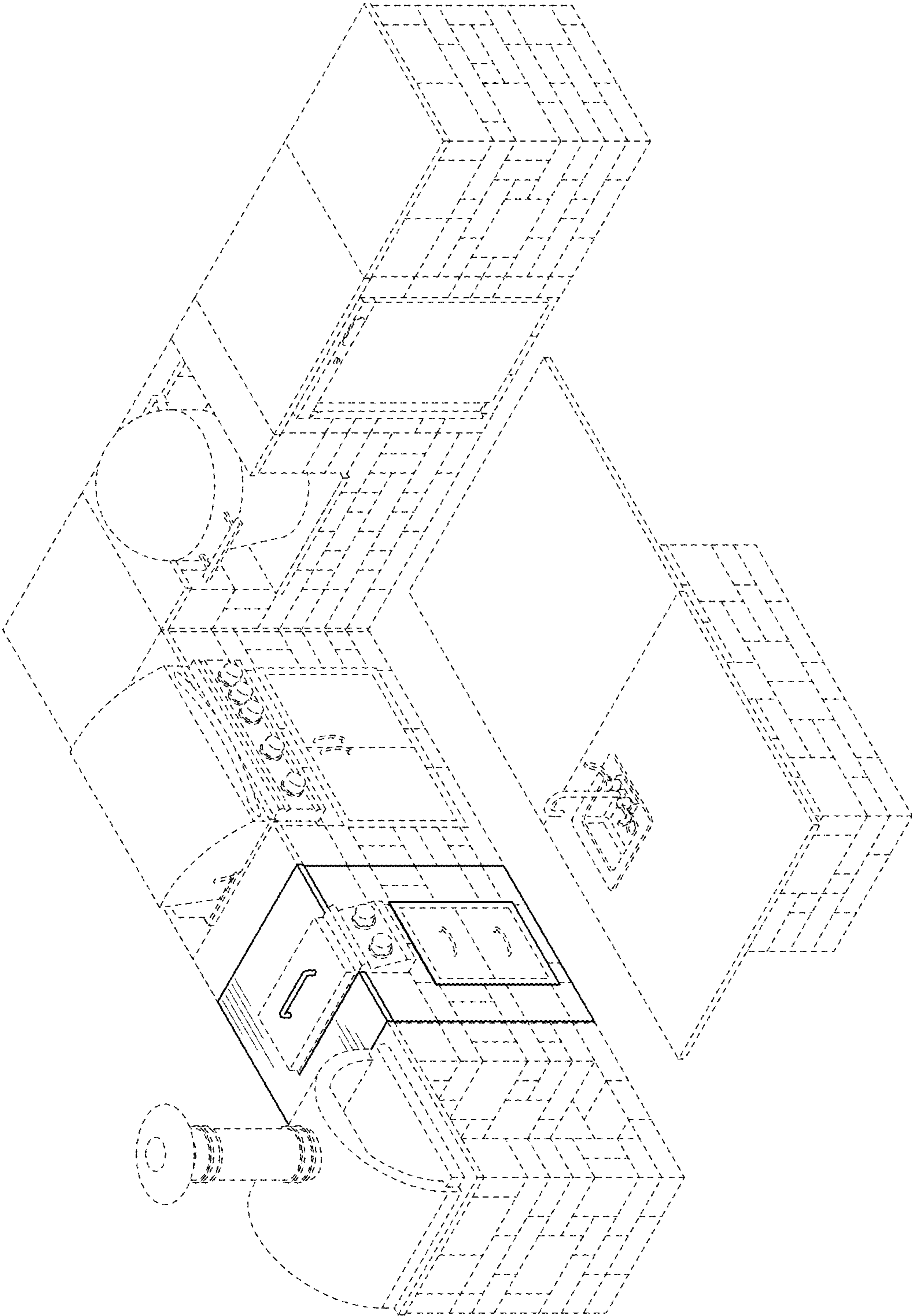


FIG. 9