



US00D804864S

(12) **United States Design Patent** (10) **Patent No.:** **US D804,864 S**
Hsu (45) **Date of Patent:** **** Dec. 12, 2017**

(54) **ORGANIZER**

(71) Applicant: **Seville Classics Inc.**, Torrance, CA (US)

(72) Inventor: **Li-Han Hsu**, Torrance, CA (US)

(73) Assignee: **Seville Classics, Inc.**, Torrance, CA (US)

(**) Term: **15 Years**

(21) Appl. No.: **29/562,845**

(22) Filed: **Apr. 29, 2016**

(51) **LOC (10) Cl.** **20-02**

(52) **U.S. Cl.**
USPC **D6/675.1**

(58) **Field of Classification Search**
USPC D6/675-675.3, 678.2, 680, 680.2;
D34/17, 21

CPC A47B 87/0261

See application file for complete search history.

(56) **References Cited**

U.S. PATENT DOCUMENTS

D422,433 S *	4/2000	Ho	D6/675.1
D423,826 S *	5/2000	Ho	D6/675.1
D446,376 S *	8/2001	Vanderbyl	D34/12
D456,639 S *	5/2002	Vaaler	D6/675.3
D622,082 S *	8/2010	Booth	D6/675
D636,550 S *	4/2011	Molayem	D34/17
D657,110 S *	4/2012	Schlomann	D34/21
D713,156 S *	9/2014	Cohen	D6/349
8,960,458 B1 *	2/2015	Klein	A47B 87/0261 211/126.11
D734,914 S *	7/2015	Tsai	D34/21
D752,906 S *	4/2016	Gunderson	D6/675.1
D785,979 S *	5/2017	Snider	D6/675.1
2009/0166991 A1 *	7/2009	Cai	A47B 31/00 280/47.35

OTHER PUBLICATIONS

Seville Classics Expandable Under-Sink Shelf with Steel Mesh and Removable Panels: Announced Dec. 15, 2009 [online], site visited Aug. 10, 2017. Available from Internet URL: https://www.amazon.com/Seville-Classics-Expandable-Under-Sink-Removable/dp/B001E8V7E0/ref=pd_sbs_79_7?_encoding=UTF8&pd_rd_i=B001E8V7E0&pd_rd_r=RS1QG4WQCQQE35FP9GD0&pd_r.*

* cited by examiner

Primary Examiner — John Windmuller

Assistant Examiner — Melvin L Davis

(74) *Attorney, Agent, or Firm* — Raymond Sun

(57) **CLAIM**

The ornamental design for an organizer, as shown and described.

DESCRIPTION

FIG. 1 is a perspective view of an organizer showing my new design.

FIG. 2 is a front plan view thereof;

FIG. 3 is a right plan view thereof;

FIG. 4 is a left plan view thereof;

FIG. 5 is a top plan view thereof;

FIG. 6 is a bottom plan view thereof; and

FIG. 7 is a rear plan view thereof.

FIG. 8 is a perspective view of an organizer in an alternate configuration of use.

FIG. 9 is a front plan view thereof;

FIG. 10 is a right plan view thereof;

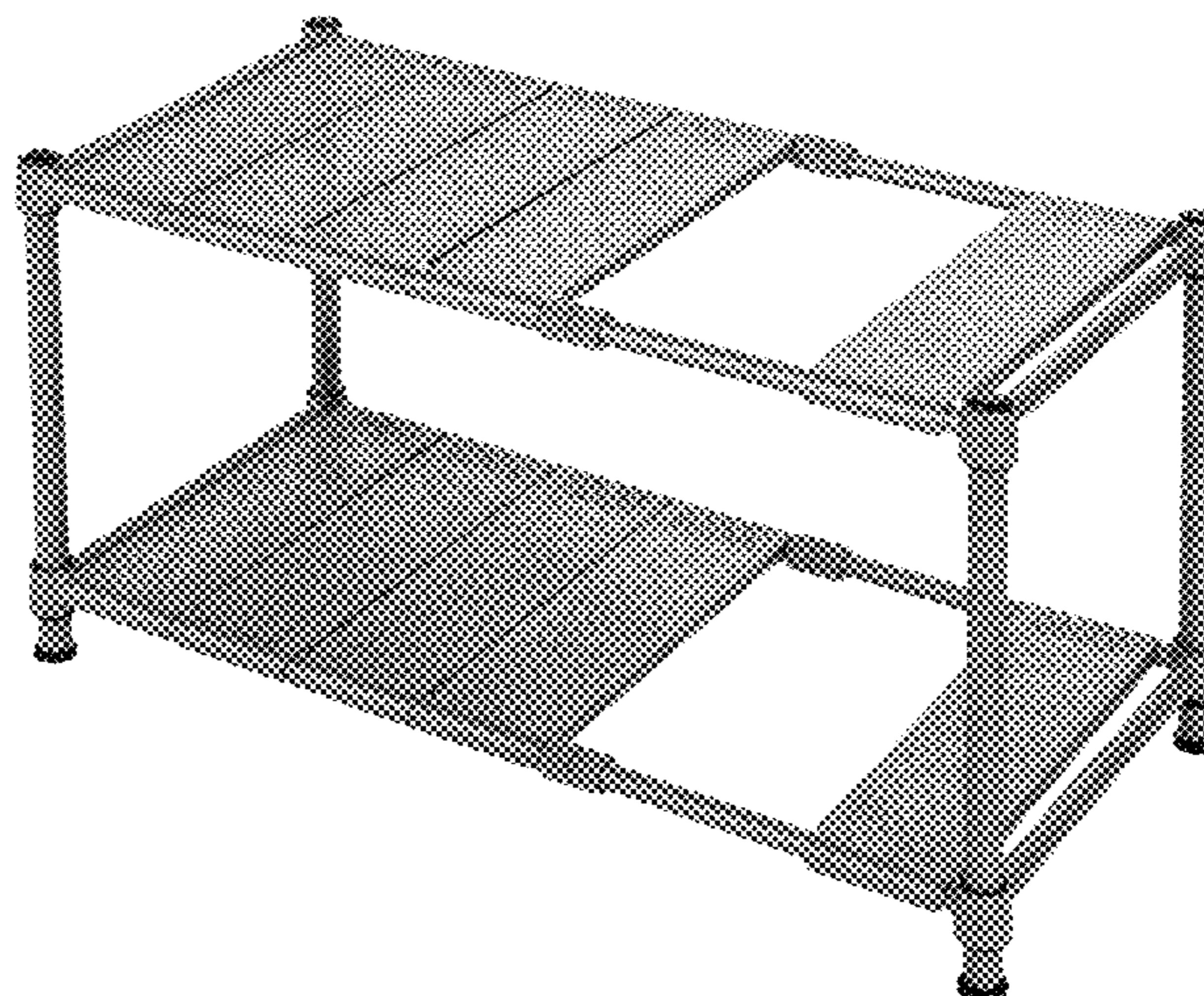
FIG. 11 is a left plan view thereof;

FIG. 12 is a top plan view thereof;

FIG. 13 is a bottom plan view thereof; and,

FIG. 14 is a rear plan view thereof.

1 Claim, 14 Drawing Sheets



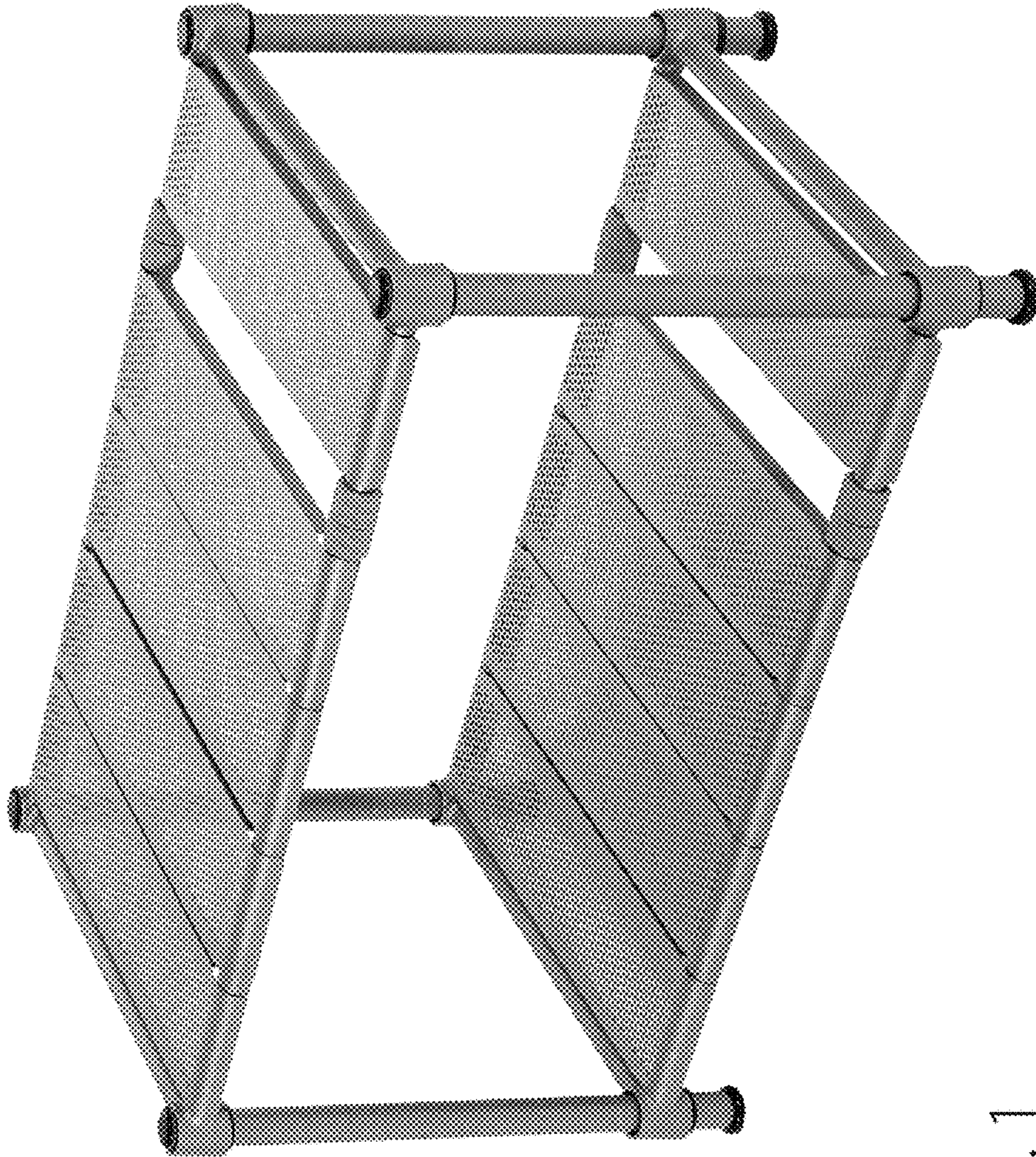


FIG. 1

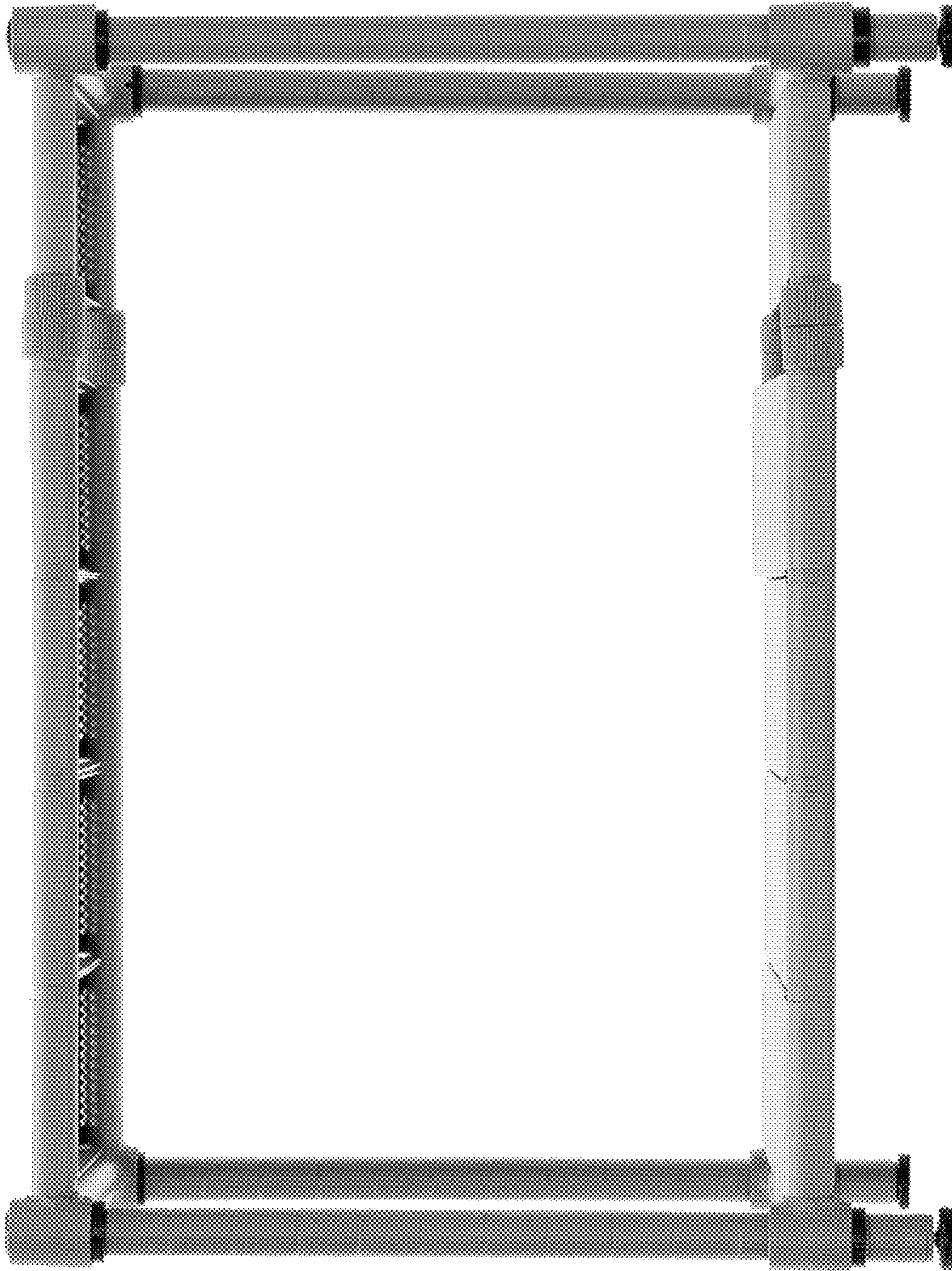


FIG. 2

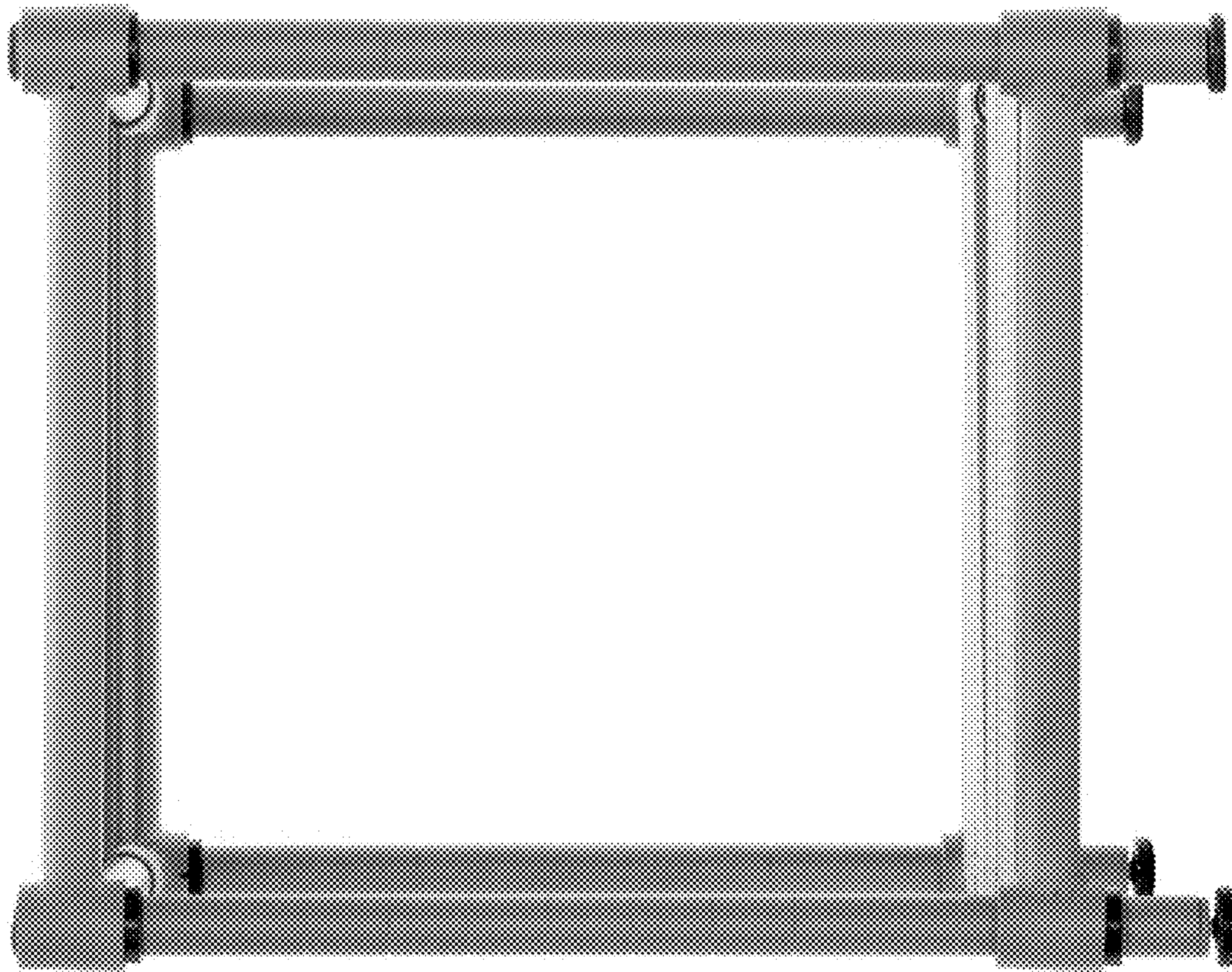


FIG. 3

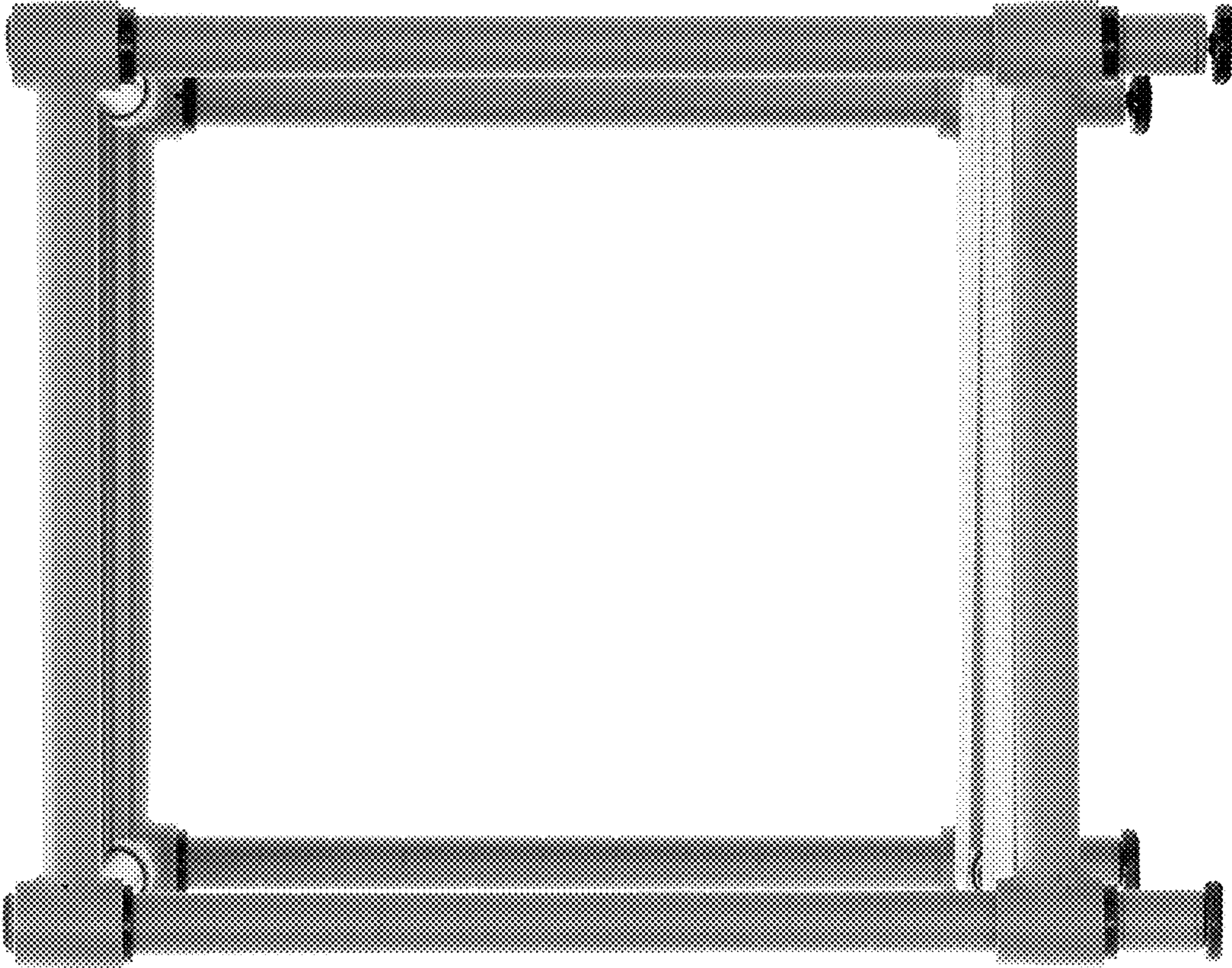


FIG. 4



FIG. 5

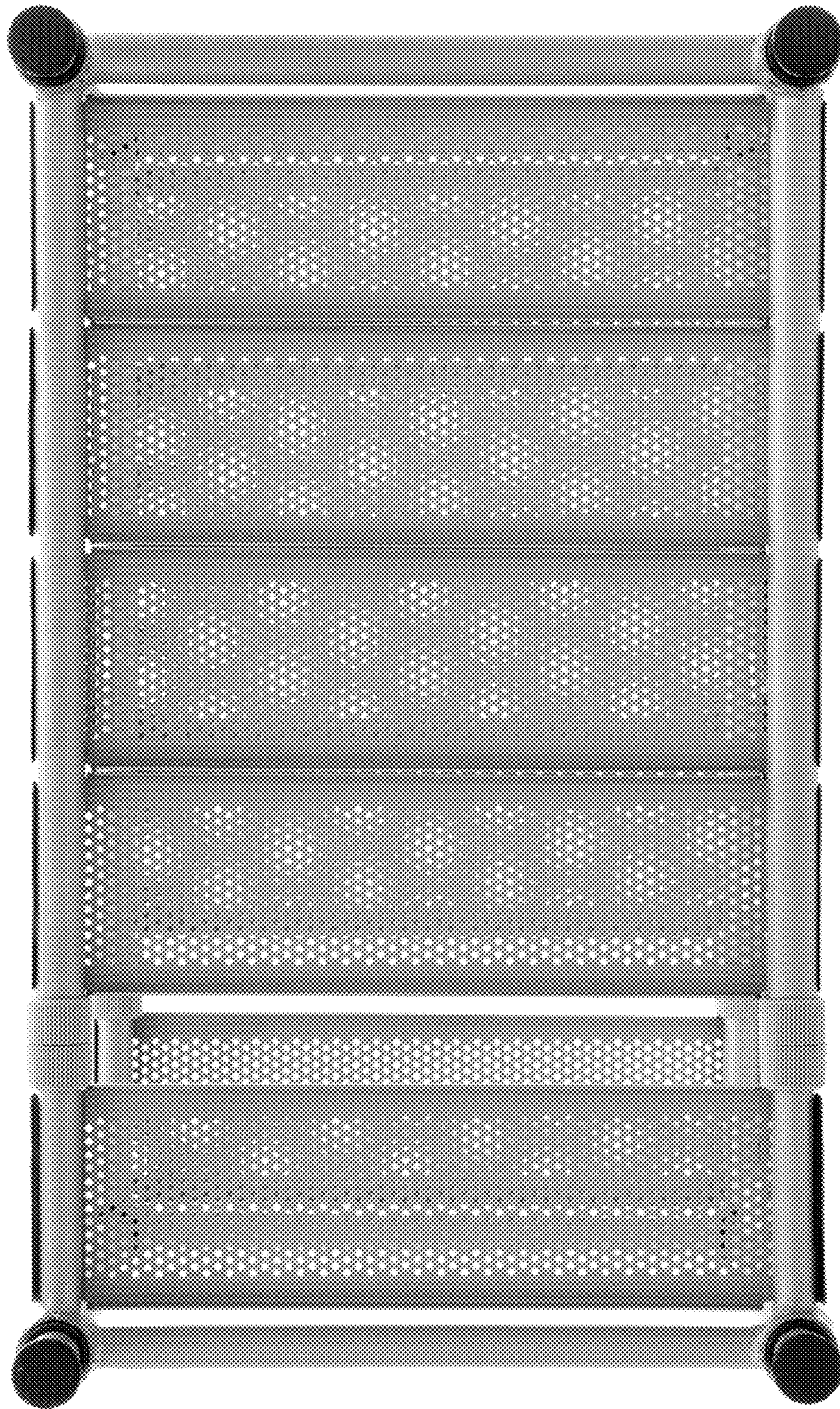


FIG. 6

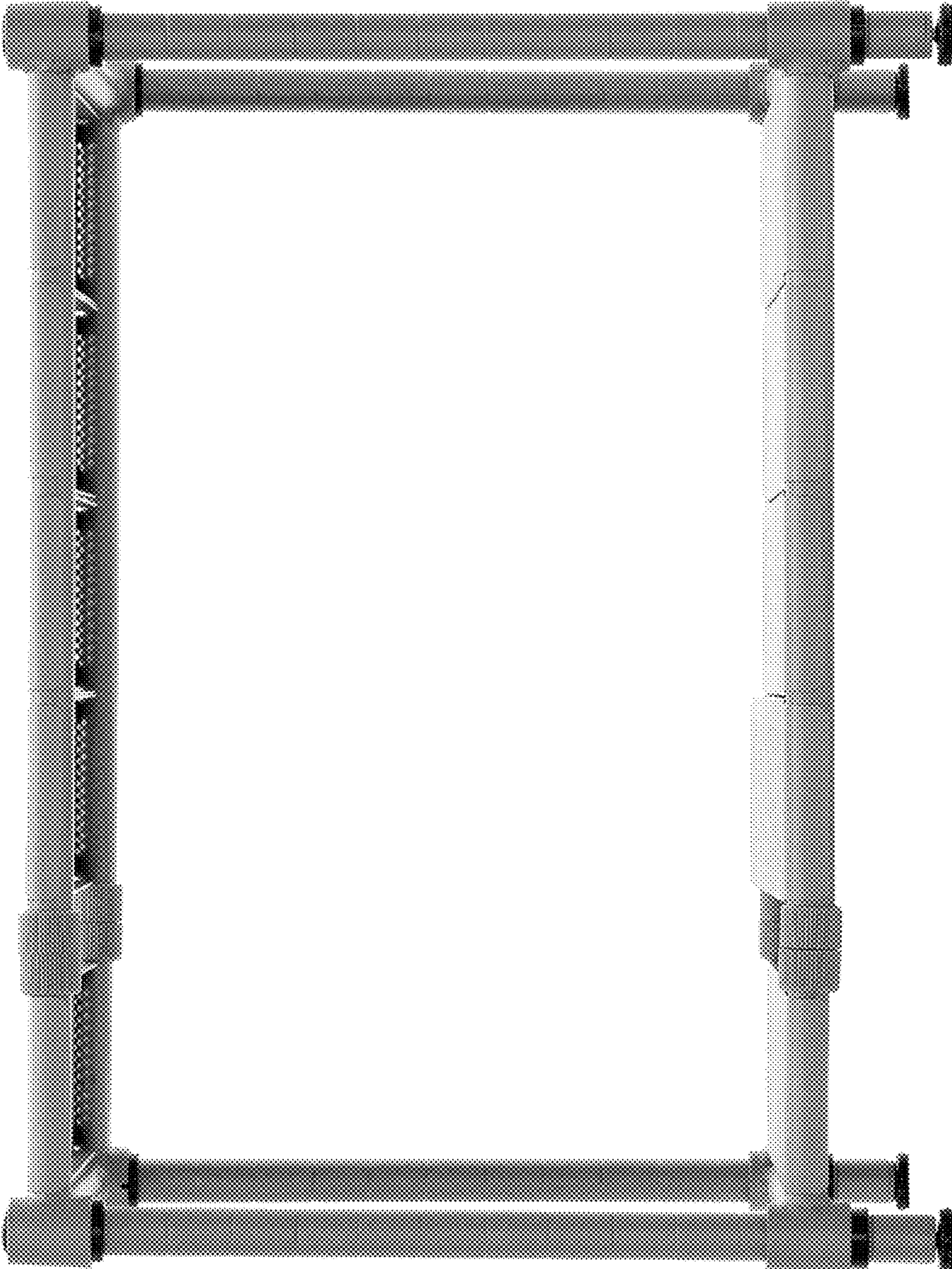


FIG. 7

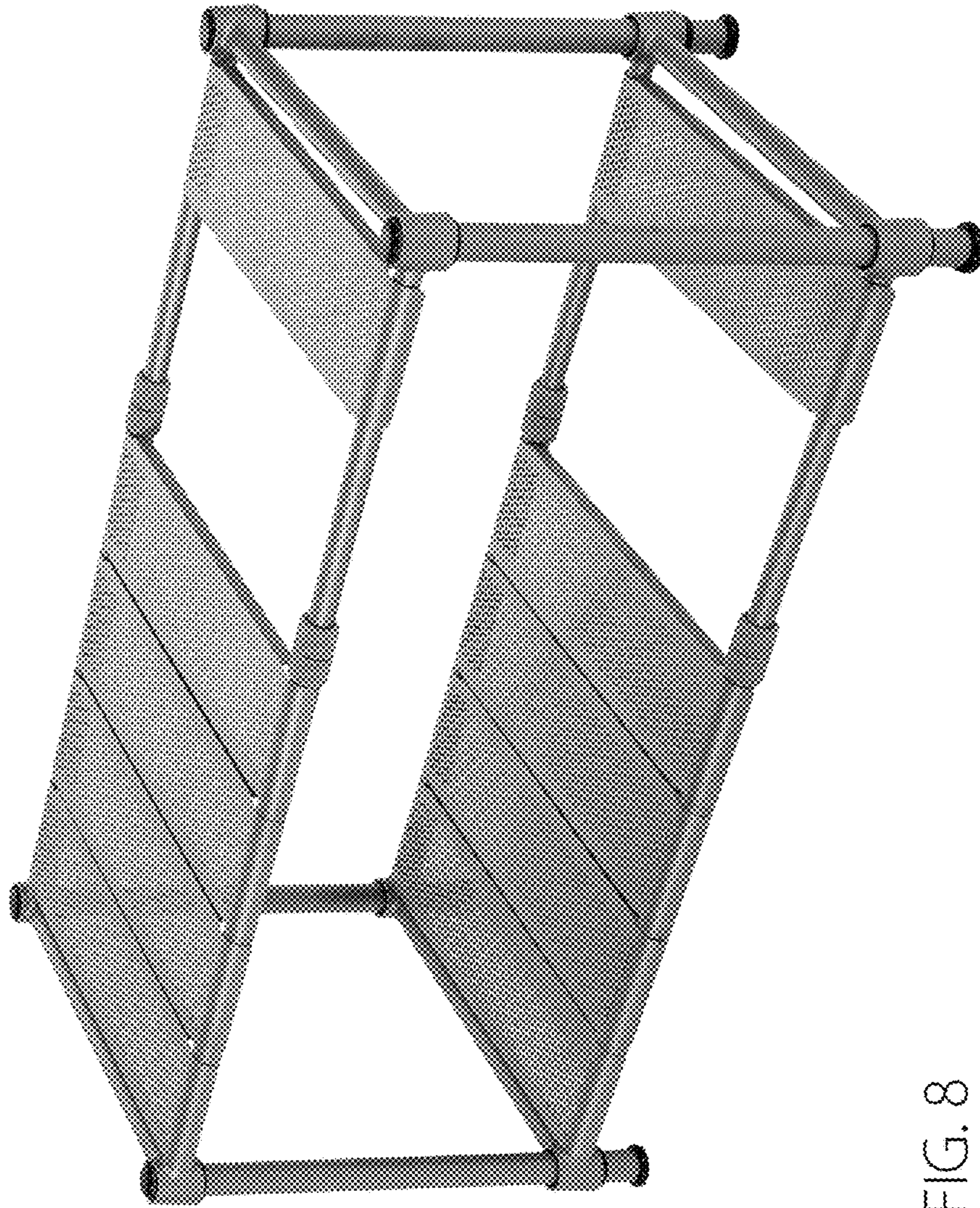


FIG. 8

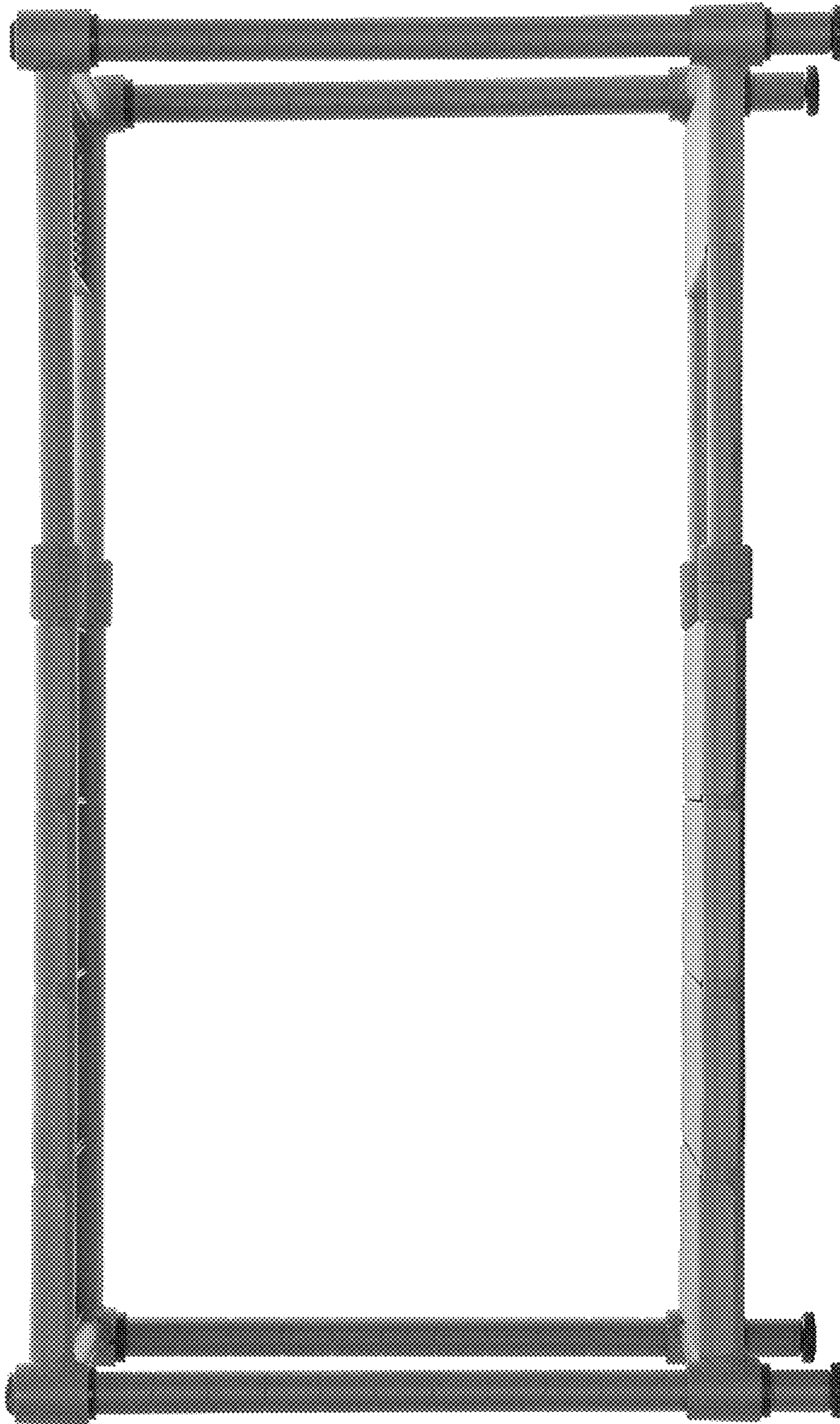


FIG. 9

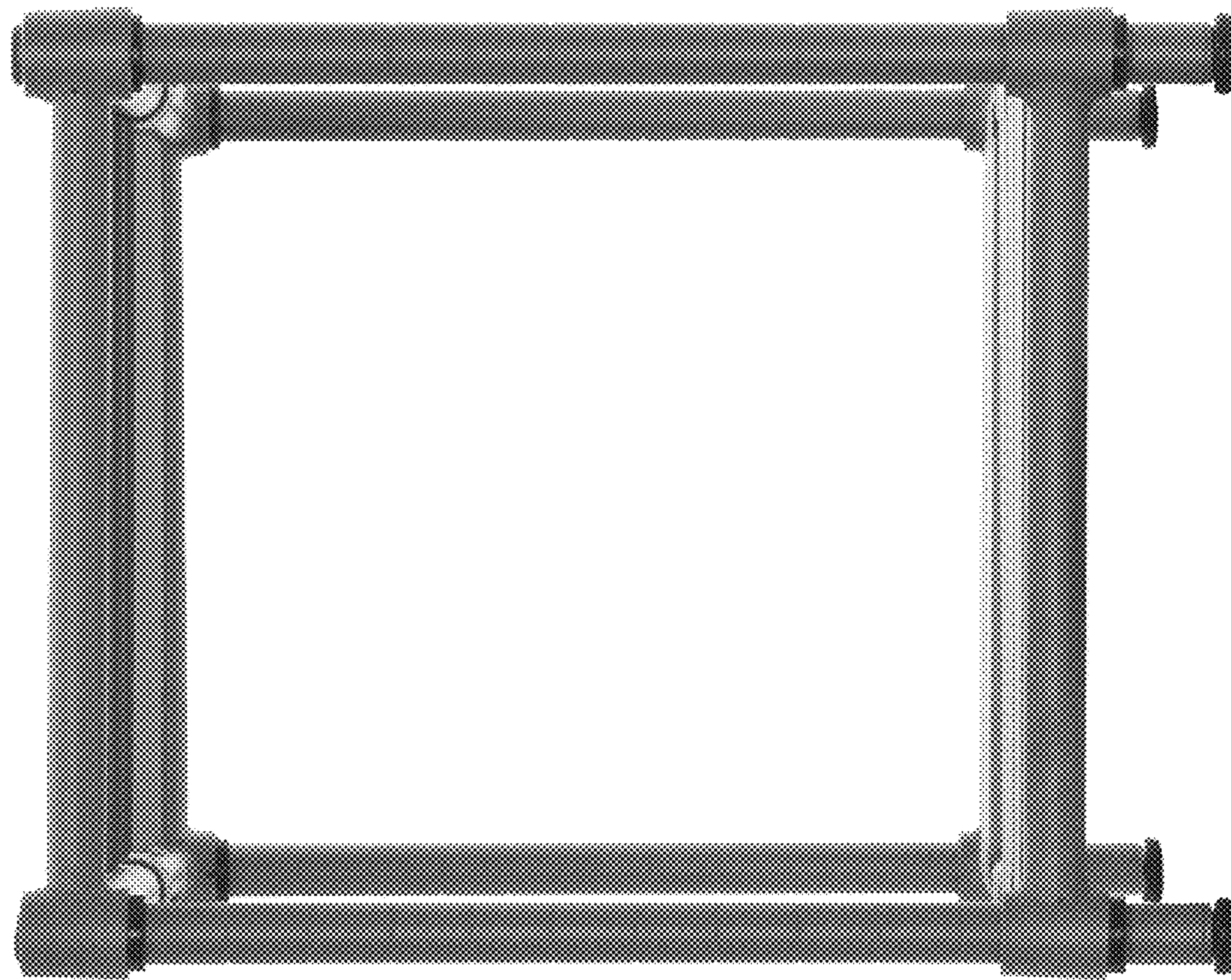


FIG. 10

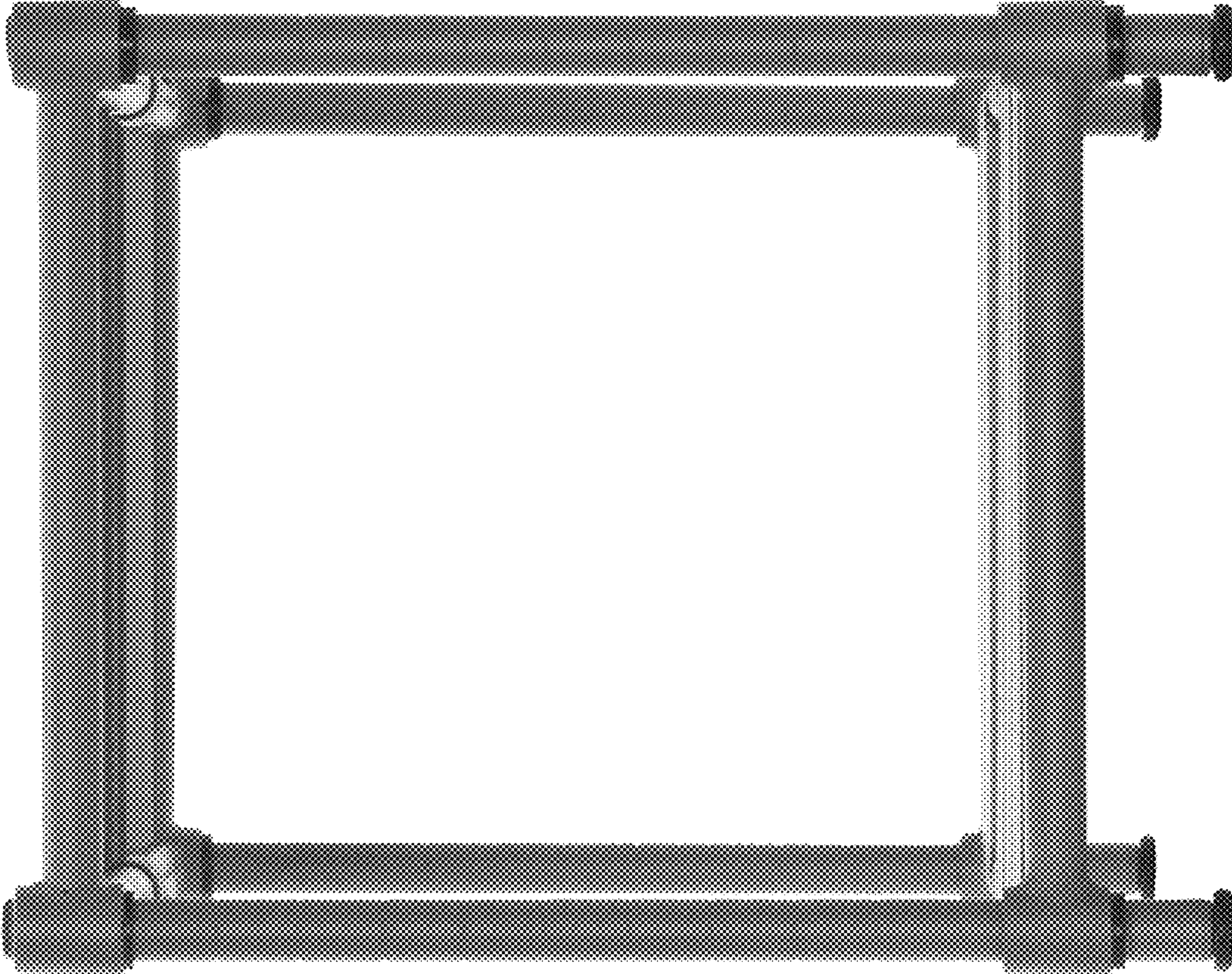


FIG. 11



FIG. 12

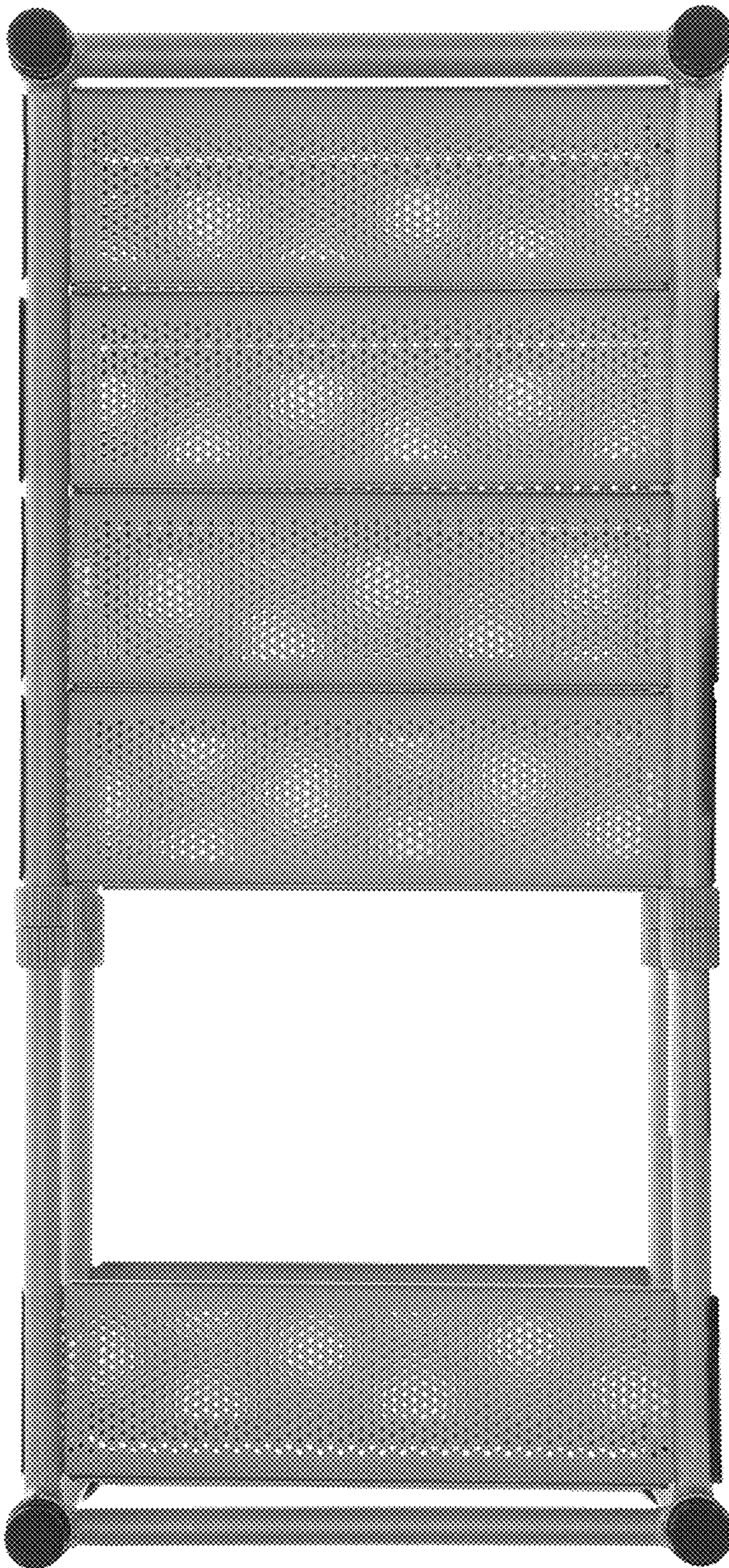


FIG. 13

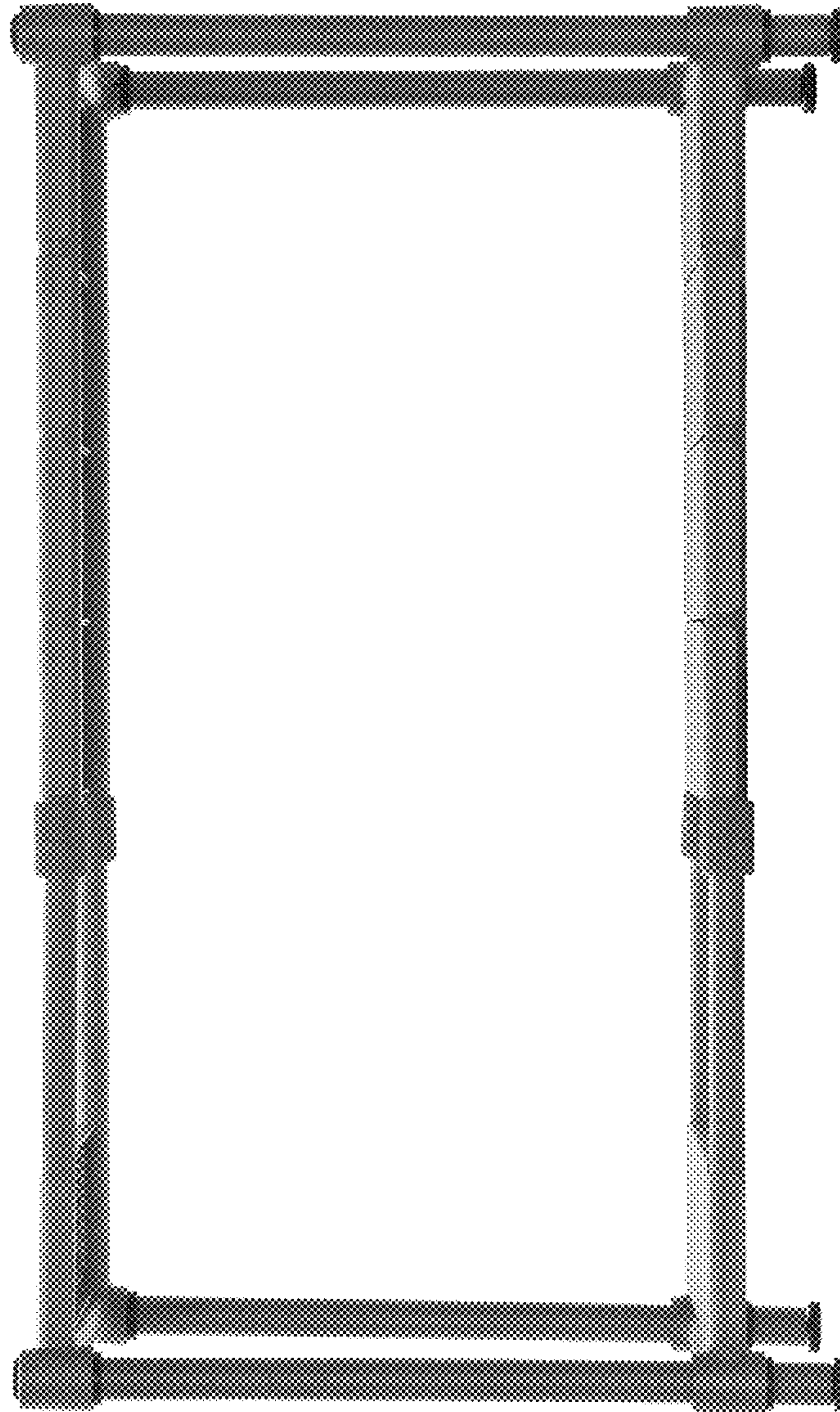


FIG. 14