



US00D804862S

(12) **United States Design Patent**
Flaherty et al.

(10) **Patent No.:** **US D804,862 S**

(45) **Date of Patent:** **** Dec. 12, 2017**

(54) **DESK**
(71) Applicant: **Varidesk, LLC**, Coppel, TX (US)
(72) Inventors: **Daniel G. Flaherty**, Irving, TX (US);
David Patton, Flower Mound, TX (US)

2,664,329 A 12/1953 Kraska
2,668,089 A * 2/1954 Cowan A47B 3/0916
108/132
2,716,582 A * 8/1955 Rosenfeld A47B 3/12
108/118
2,761,743 A 9/1956 Cottar
(Continued)

(73) Assignee: **Varidesk, LLC**, Coppel, TX (US)

FOREIGN PATENT DOCUMENTS

(**) Term: **15 Years**

CN 2 521 968 Y 11/2002
CN 101 849 736 B 4/2012

(21) Appl. No.: **29/526,807**

OTHER PUBLICATIONS

(22) Filed: **May 13, 2015**

International Search Report dated Jun. 10, 2015 in International Patent Application No. PCT/US2015/020392.

(51) **LOC (10) Cl.** **06-03**

(Continued)

(52) **U.S. Cl.**

USPC **D6/656.13**

(58) **Field of Classification Search**

USPC D6/406.1, 641, 647, 650, 653, 656.19,
D6/683.1, 685, 688.12, 688.15, 688.24,
D6/691, 691.1, 691.3, 691.6, 696, 697,
D6/697.707, 707, 707.19, 707.22, 656.13
CPC A47B 1/00; A47B 13/00; A47B 13/08;
A47B 17/00; A47B 37/00; A47B 96/00;
A47B 96/18; A47B 97/00
See application file for complete search history.

Primary Examiner — Mary Ann Calabrese
Assistant Examiner — Jennifer L Rempfer
(74) *Attorney, Agent, or Firm* — Venable LLP; Steven J. Schwarz

(57) **CLAIM**

The ornamental design for a desk, as shown and described.

(56) **References Cited**

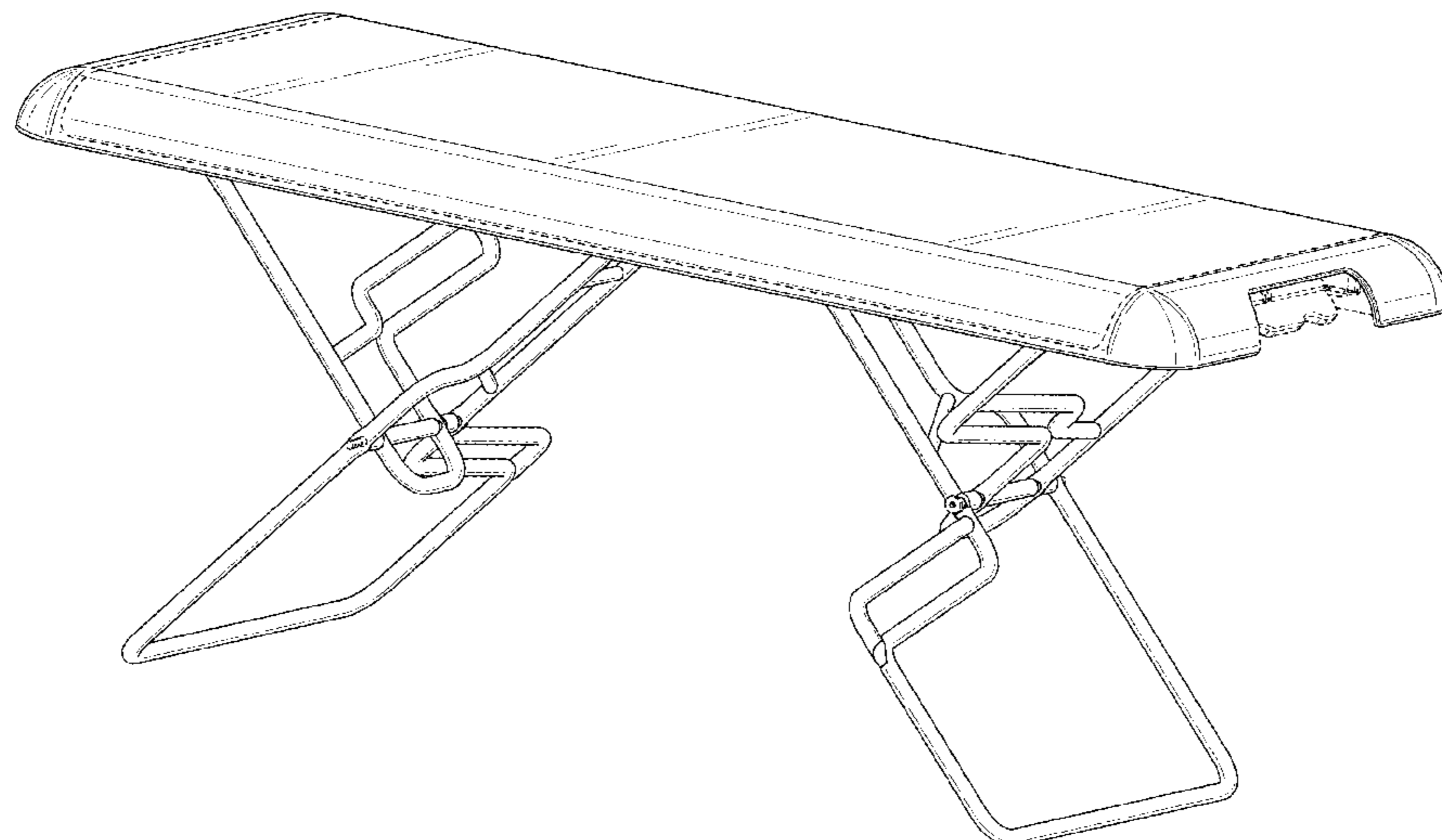
DESCRIPTION

U.S. PATENT DOCUMENTS

145,858 A 12/1873 Fling et al.
150,220 A 4/1874 Babcock
165,885 A 7/1875 Sloan
294,954 A 3/1884 Bags
831,994 A 9/1906 Rudman
1,696,193 A * 12/1928 Deland A47B 3/12
108/157.15
1,890,710 A * 12/1932 Williams A47B 3/02
108/118
2,217,576 A * 10/1940 Weber A47B 3/14
190/12 A
D155,799 S * 11/1949 Gerarhart 108/6
D170,672 S * 10/1953 Zalkind 108/115

FIG. 1 is a front-right perspective view of a desk according to the claimed design shown in a raised position; FIG. 2 is a front view of the desk of FIG. 1; FIG. 3 is a rear view of the desk of FIG. 1; FIG. 4 is a left side view of the desk of FIG. 1; FIG. 5 is a right side view of the desk of FIG. 1; FIG. 6 is a top view of the desk of FIG. 1; and, FIG. 7 is a front-right perspective view of the desk of FIG. 1 shown in a lowered position. The features shown in broken lines represent portions of the desk which form no part of the claimed design.

1 Claim, 7 Drawing Sheets



(56)

References Cited

U.S. PATENT DOCUMENTS

2,799,546 A 7/1957 Lowry
 2,814,541 A 11/1957 Derman
 2,818,256 A 12/1957 Hopper
 2,846,282 A 8/1958 Barker
 D188,057 S * 5/1960 Rasmussen D6/691.6
 2,942,921 A * 6/1960 Rachman A47B 3/0916
 3,128,727 A * 4/1964 Rainwater A47B 3/0803
 3,387,573 A * 6/1968 Dean A47B 9/16
 3,574,393 A * 4/1971 Hughes A47B 3/14
 D286,479 S * 11/1986 Marchesini D6/691.5
 4,662,286 A 5/1987 Barabas et al.
 4,747,353 A 5/1988 Watt
 D396,971 S * 8/1998 Svensson D6/656.13
 6,076,472 A * 6/2000 Lloyd A47B 3/087
 D441,554 S * 5/2001 Holm D6/349
 D469,271 S * 1/2003 Avrahami D6/691.6
 D469,981 S * 2/2003 Buono D6/691.6
 D522,280 S * 6/2006 Butters D6/708

D598,213 S * 8/2009 Frederking D6/691.6
 D613,975 S * 4/2010 Davis D6/708.16
 D668,884 S * 10/2012 Olano Jauregui D6/691.6
 9,289,058 B2 * 3/2016 Flaherty A47B 9/16
 D758,113 S * 6/2016 Domingo D6/691
 9,538,883 B2 * 1/2017 Fister A47J 43/255
 2002/0092445 A1 7/2002 Glover et al.
 2005/0006931 A1 * 1/2005 Meskill A47B 3/0912
 2009/0241811 A1 * 10/2009 Markegard A47B 3/00
 2011/0023758 A1 2/2011 Overgaard et al.
 2014/0041554 A1 2/2014 Huang
 2014/0373760 A1 * 12/2014 Shiraiishi A47B 3/083

OTHER PUBLICATIONS

Written Opinion dated Jun. 10, 2015 in International Patent Application No. PCT/US2015/020392.
 Extended European Search Report dated Jun. 10, 2015 in European Patent Application No. 15 161 122.5.
 European Office Action date Aug. 1, 2016 in European Patent Application No. 15 161 122.5.

* cited by examiner

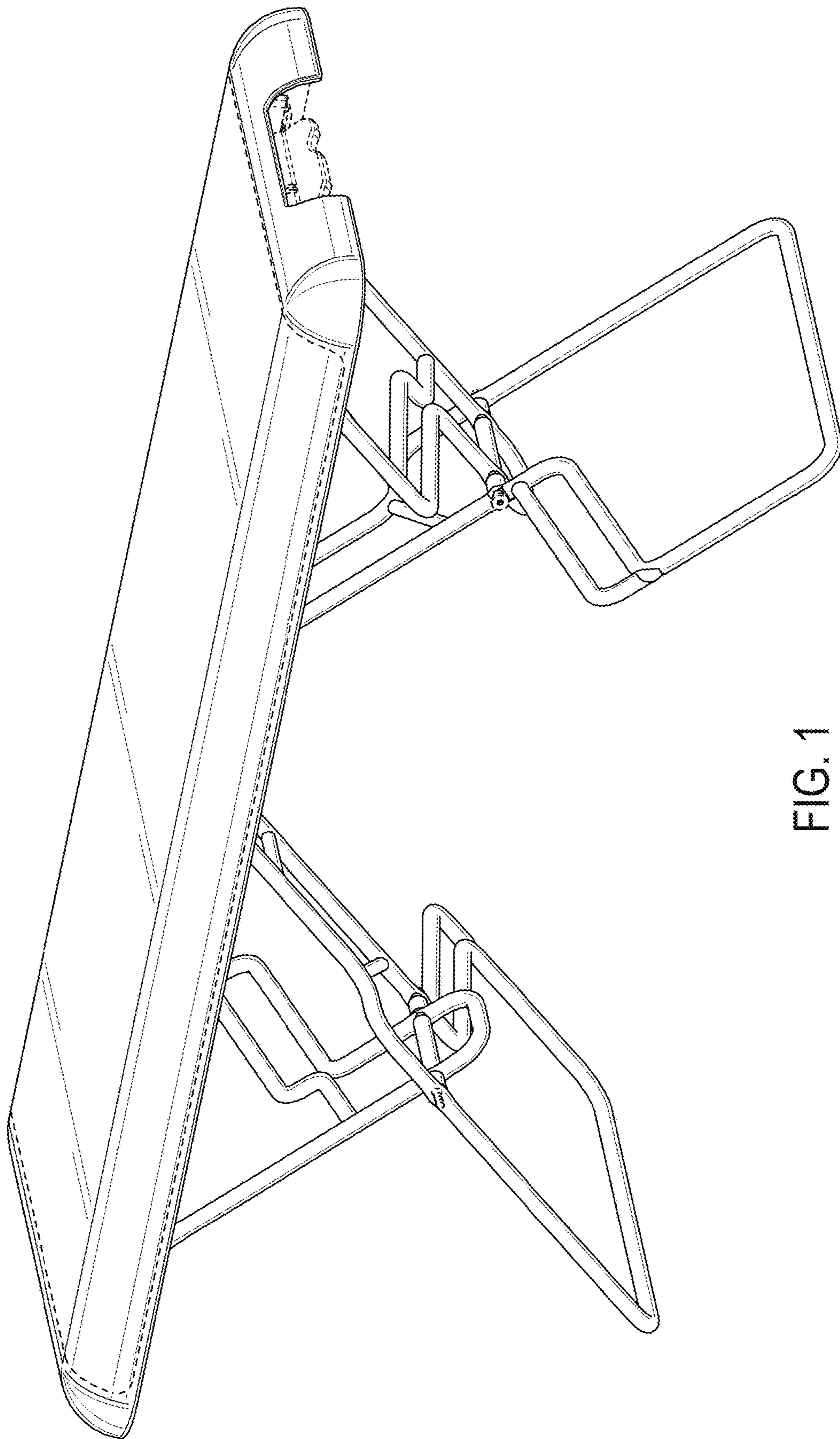


FIG. 1

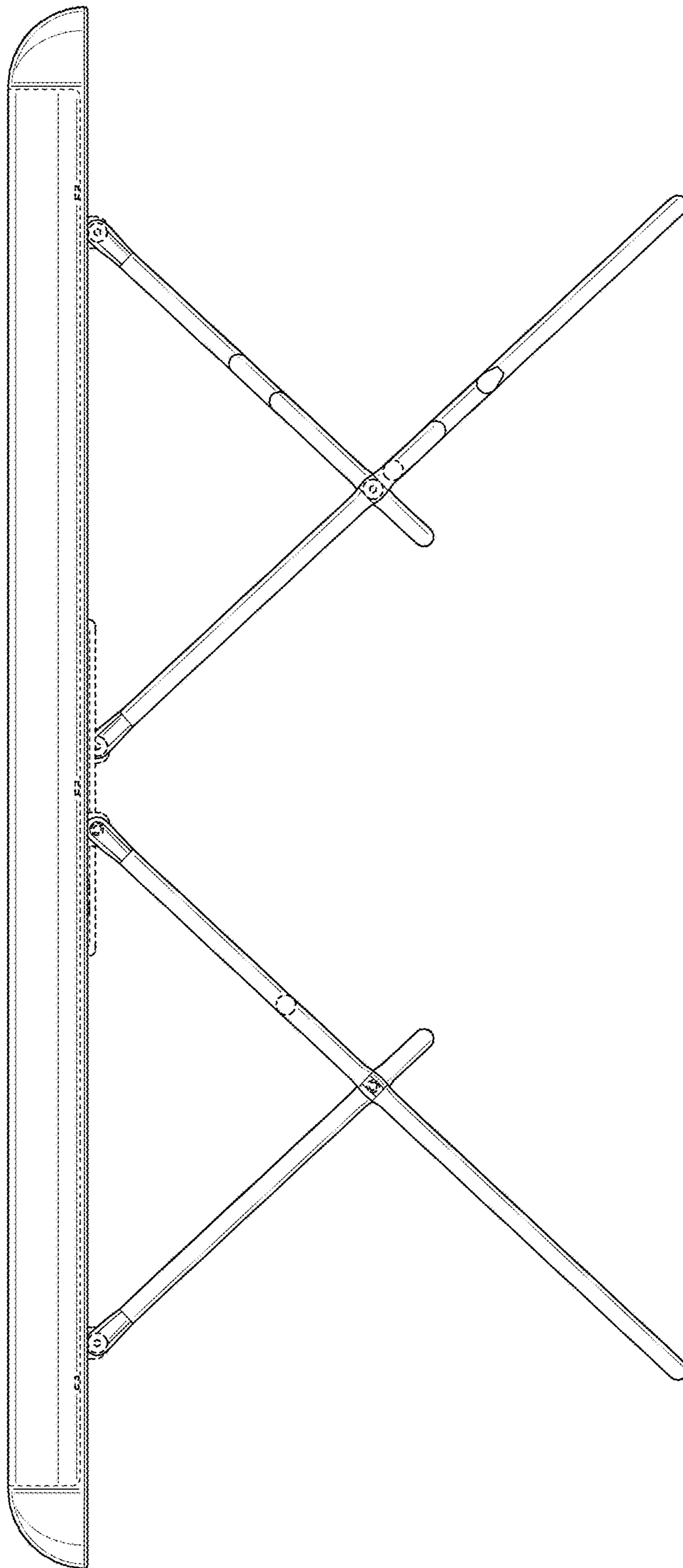


FIG. 2

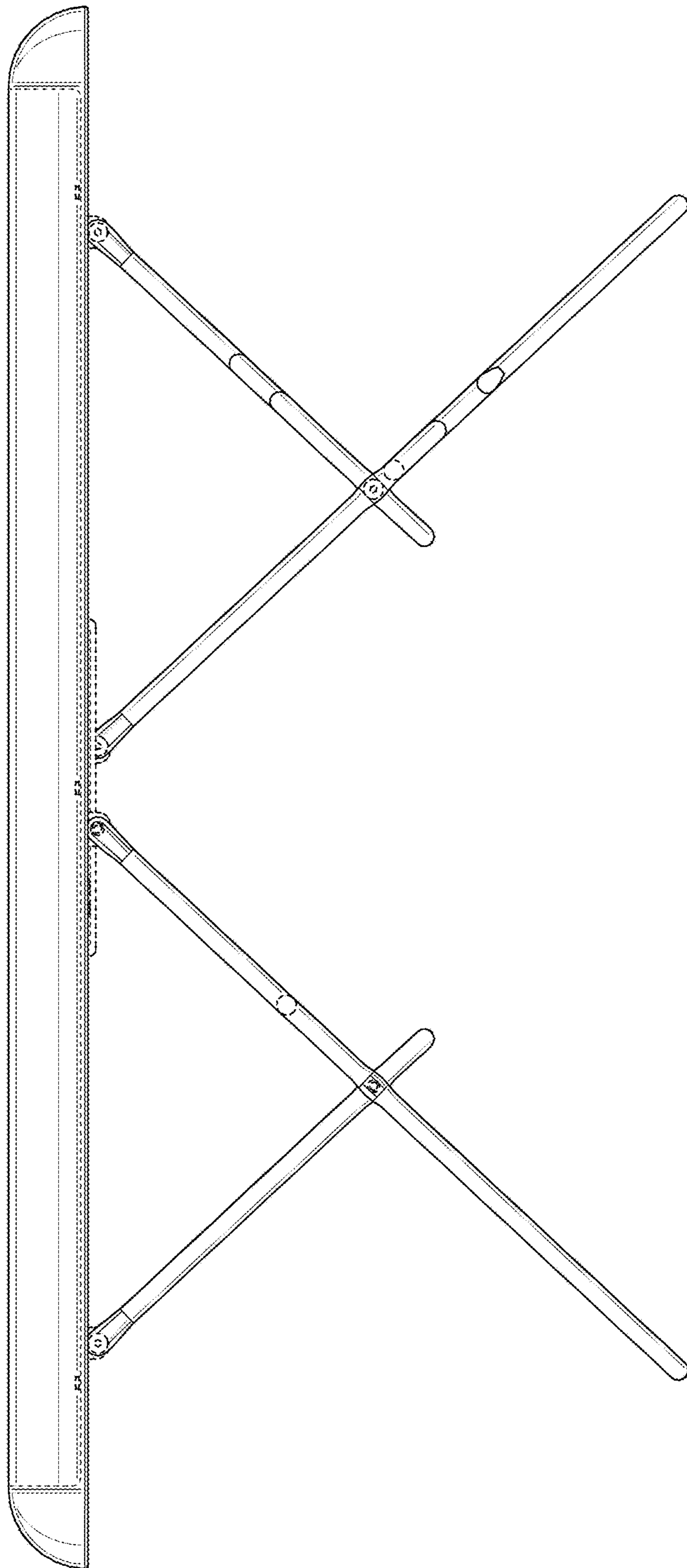


FIG. 3

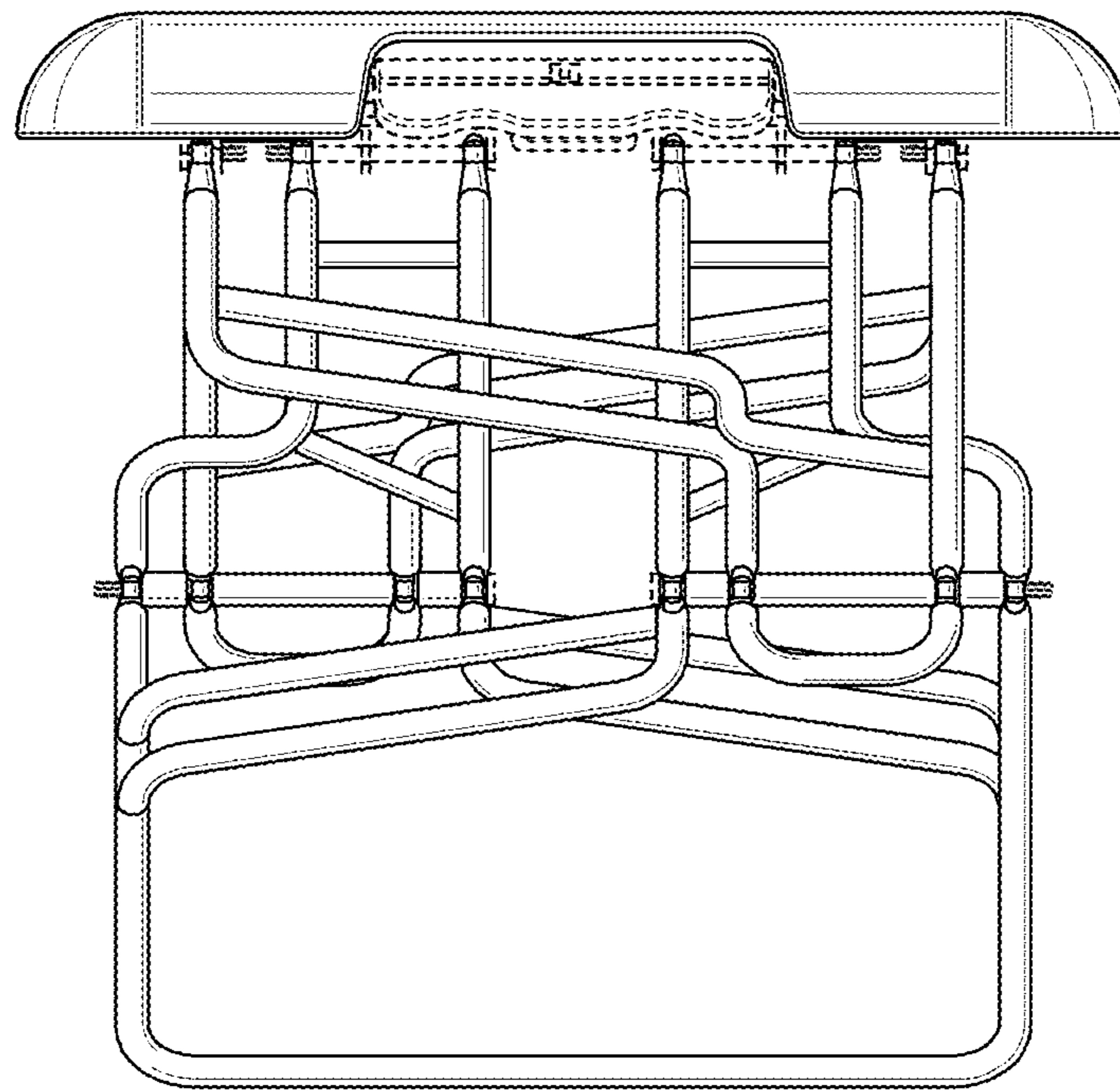


FIG. 4

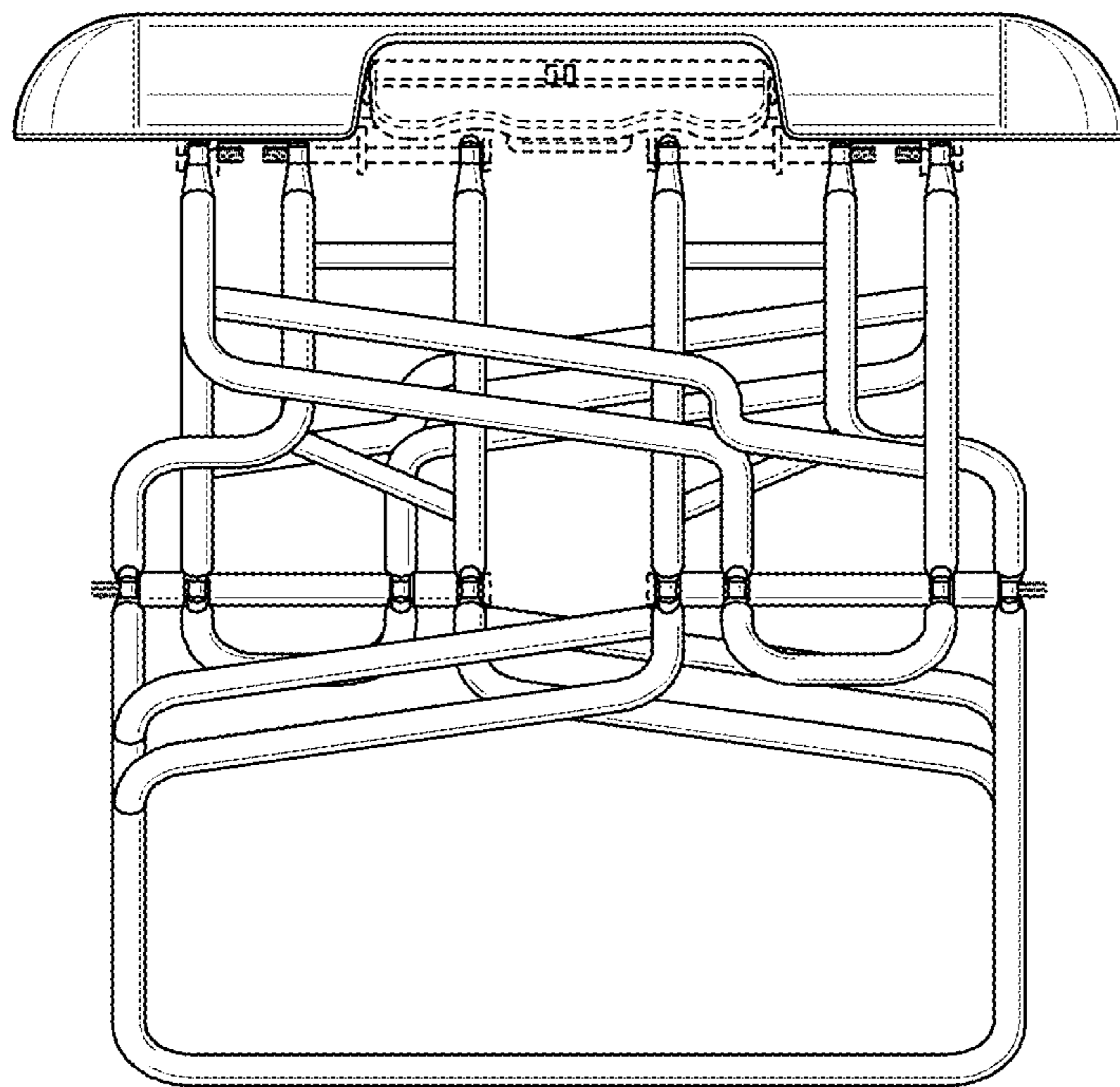


FIG. 5

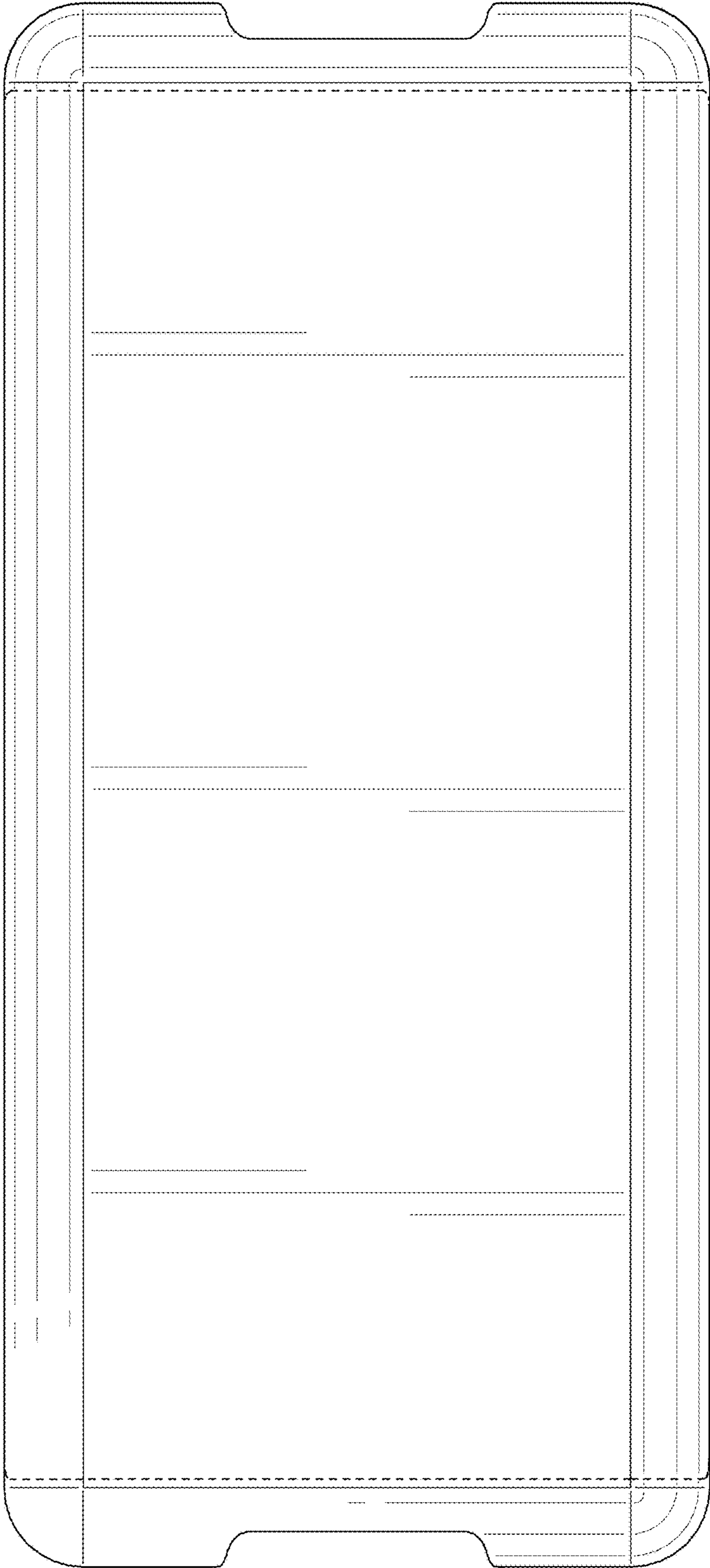


FIG. 6

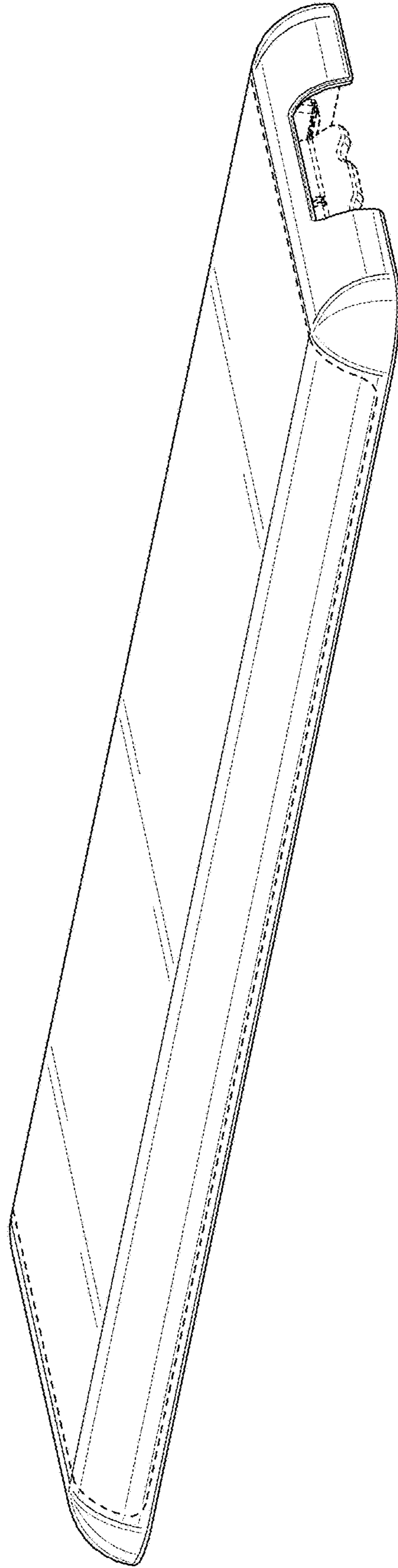


FIG. 7