



US00D804861S

(12) **United States Design Patent**  
**Failing**

(10) **Patent No.:** **US D804,861 S**

(45) **Date of Patent:** **\*\* Dec. 12, 2017**

- (54) **STANDING DESK**
- (71) Applicant: **John Failing**, Cumberland, MD (US)
- (72) Inventor: **John Failing**, Cumberland, MD (US)
- (\*\*) Term: **15 Years**
- (21) Appl. No.: **29/552,568**
- (22) Filed: **Jan. 22, 2016**

- 4,926,760 A \* 5/1990 Sack ..... B66F 7/0666  
108/145
- 5,002,293 A \* 3/1991 Gottselig ..... B62B 3/02  
108/145
- 6,349,962 B1 \* 2/2002 Johanson ..... B62B 3/02  
280/42
- 6,591,778 B1 \* 7/2003 Alderman ..... A01K 1/0353  
119/28.5
- 7,048,236 B2 \* 5/2006 Benden ..... A47B 21/0314  
108/138
- 9,133,976 B2 \* 9/2015 Lin ..... F16M 11/24
- 2013/0145972 A1 \* 6/2013 Knox ..... B60N 3/063  
108/145
- 2014/0284903 A1 \* 9/2014 Smith ..... B62B 5/00  
280/651
- 2016/0286955 A1 \* 10/2016 Cohen ..... A47B 31/04
- 2016/0297458 A1 \* 10/2016 Churchvara ..... B62B 3/02

**Related U.S. Application Data**

- (63) Continuation-in-part of application No. 14/992,814, filed on Jan. 11, 2016.
- (51) **LOC (10) Cl.** ..... **06-03**
- (52) **U.S. Cl.**  
USPC ..... **D6/655.1**
- (58) **Field of Classification Search**  
USPC ... D6/641, 655, 698, 655.1, 675, 691, 691.4  
CPC ..... A47B 9/00; A47B 2009/006; A47B 21/00;  
A47B 21/0314; A47B 3/02; A47B 31/04;  
B62B 3/02  
See application file for complete search history.

\* cited by examiner

*Primary Examiner* — Rosemary K Tarcza

*Assistant Examiner* — Alison Ofstun

(57) **CLAIM**

The ornamental design for a standing desk, as shown.

(56) **References Cited**

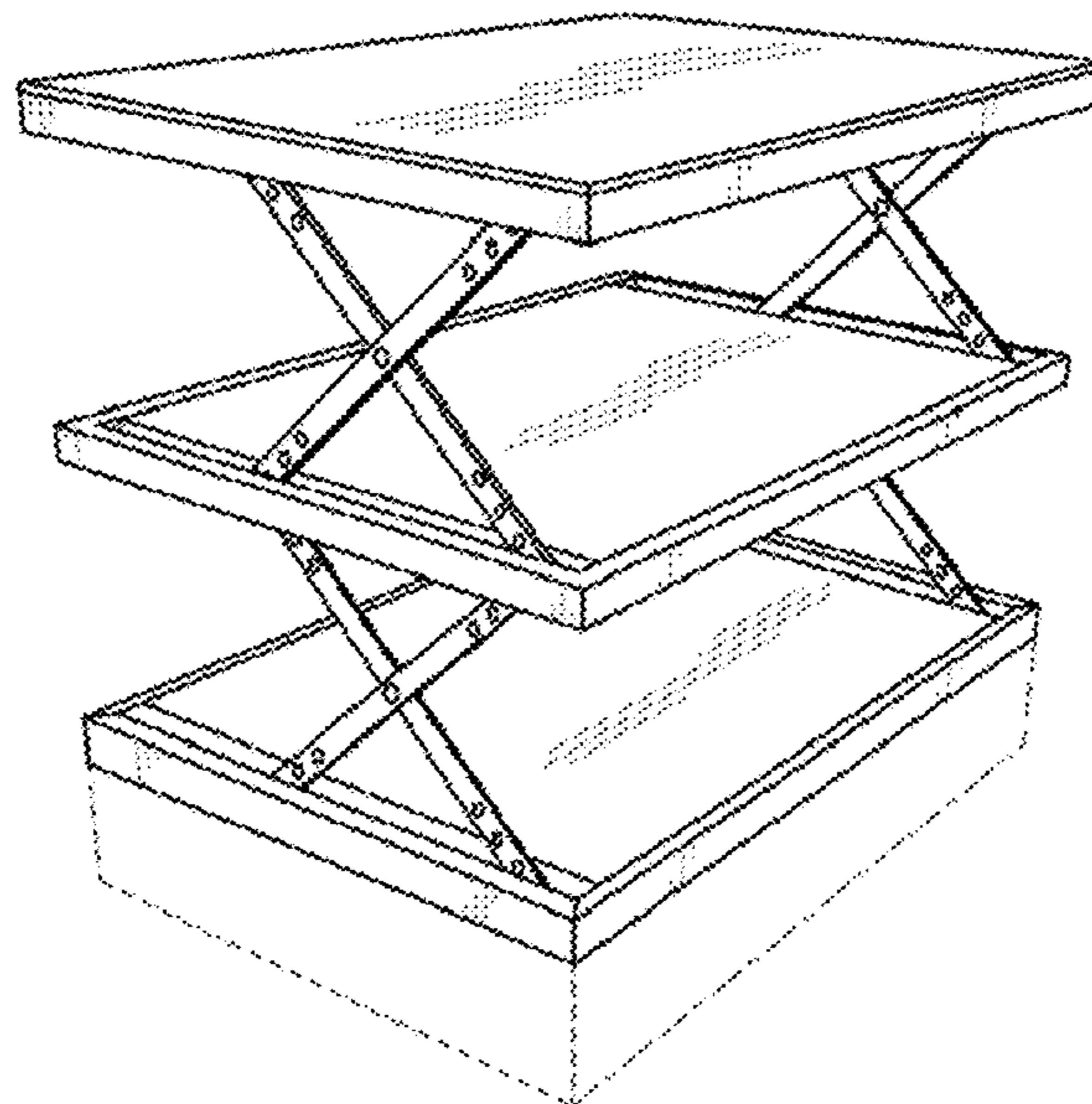
**U.S. PATENT DOCUMENTS**

- 70,339 A \* 10/1867 Kreitz ..... A47B 19/06  
108/9
- 1,557,813 A \* 10/1925 Derse ..... A47C 4/283  
108/175
- 1,814,838 A \* 7/1931 Martin ..... A47B 3/02  
108/99
- 2,581,023 A \* 1/1952 Jerick ..... A47B 9/16  
108/120
- 2,927,702 A \* 3/1960 Deusen, Jr. .... A47B 3/02  
108/96
- D302,618 S \* 8/1989 Gottselig ..... D34/17

**DESCRIPTION**

FIG. 1 is a front perspective view of the standing desk.  
 FIG. 2 is a rear perspective view of the standing desk.  
 FIG. 3 an end elevation view of the standing desk.  
 FIG. 4 is a front elevation view of the standing desk.  
 FIG. 5 is a top plan view of the standing desk; and,  
 FIG. 6 is a bottom plan view of the standing desk.  
 The broken lines shown in the drawings are included for the purpose of illustrating environmental structure and form no part of the claimed design.

**1 Claim, 6 Drawing Sheets**



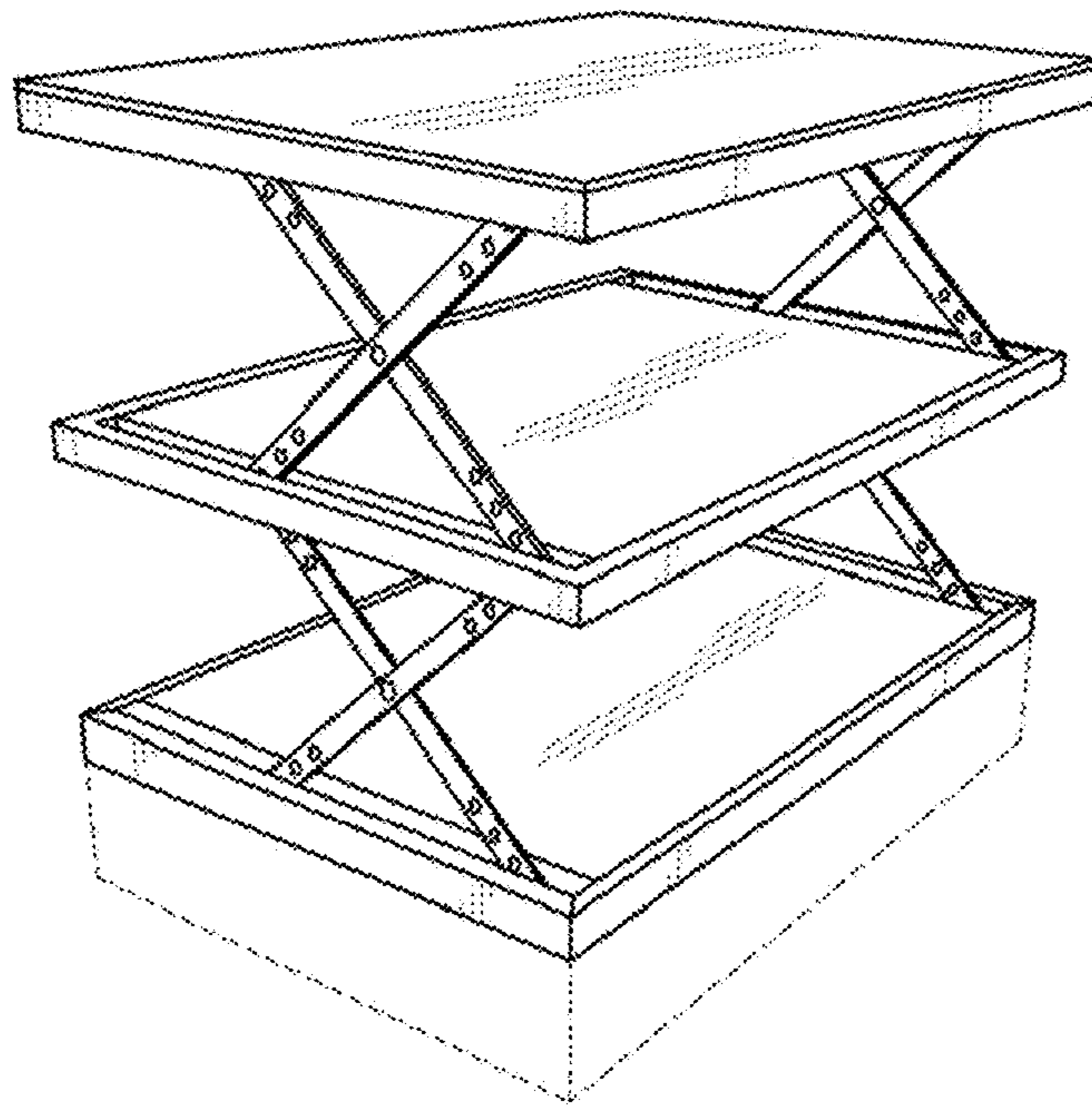


FIG. 1

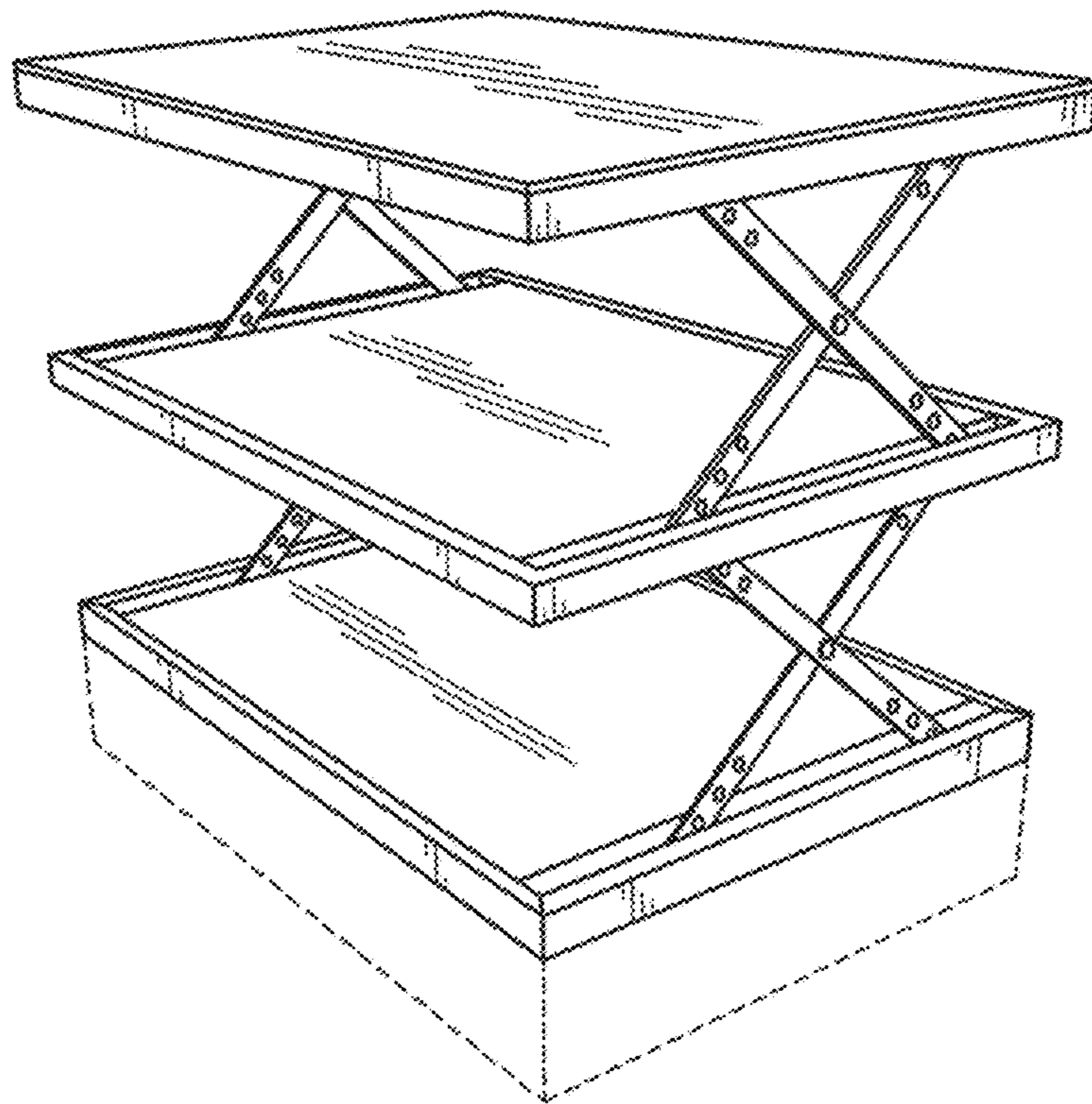


FIG. 2

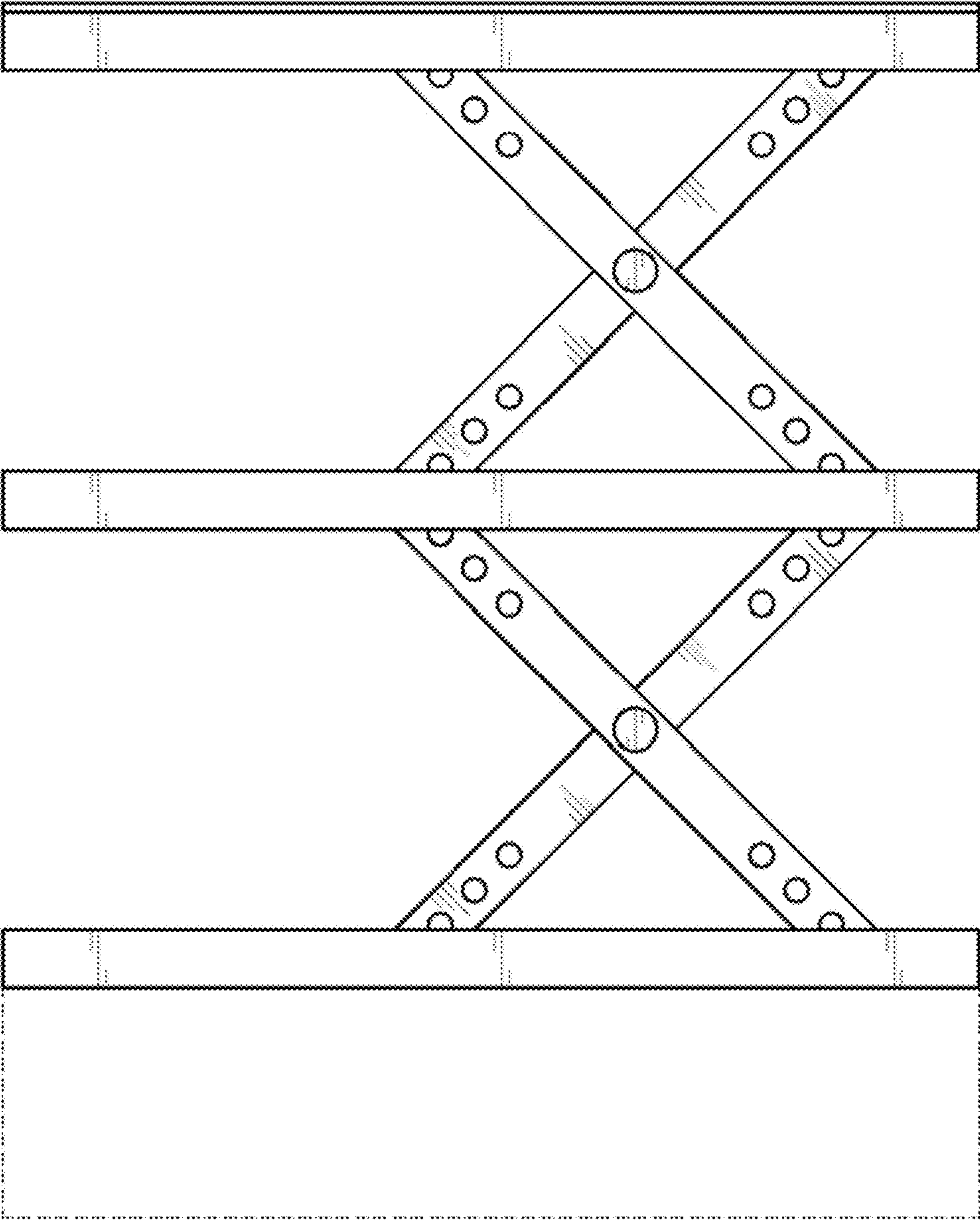


FIG. 3

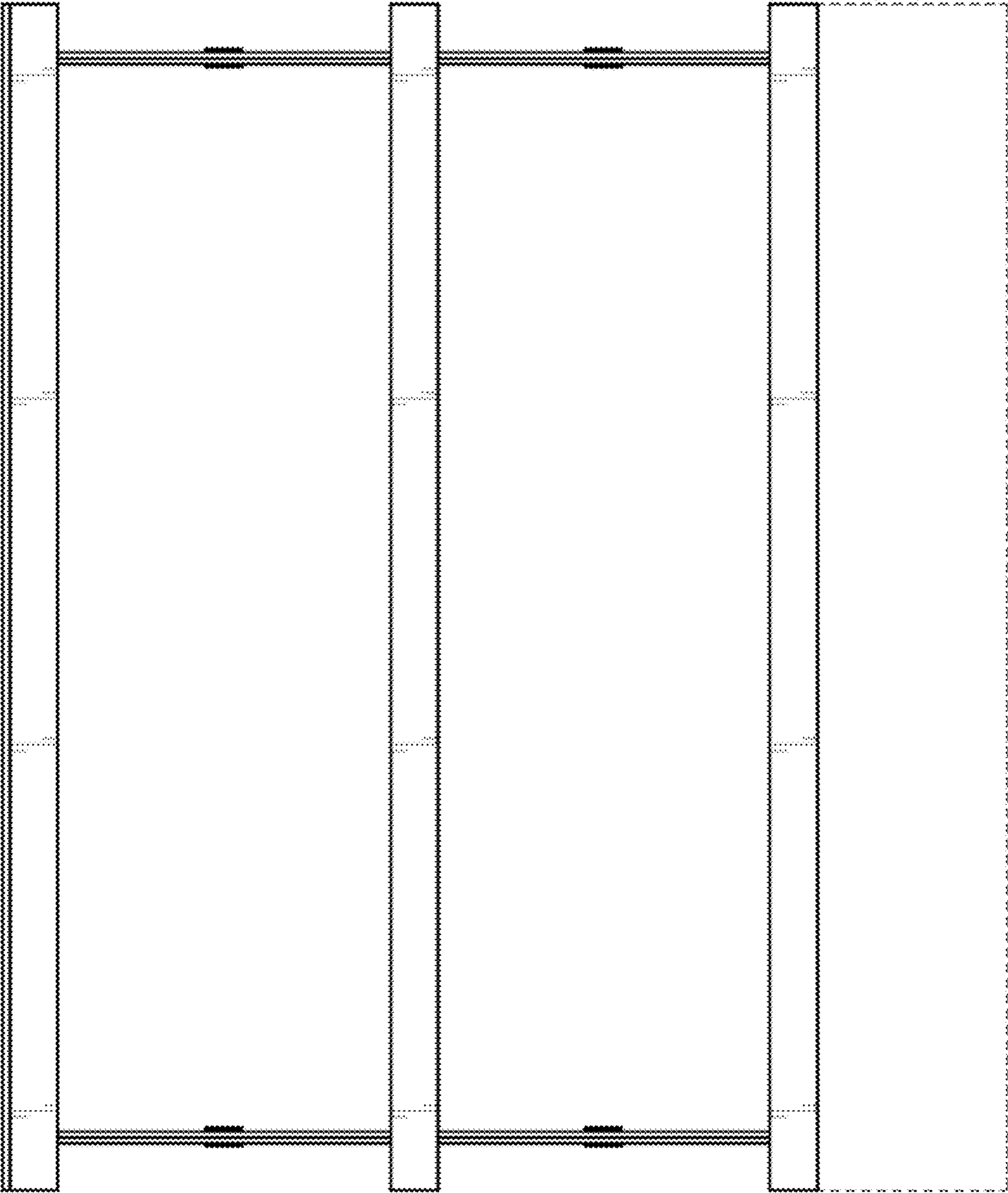


FIG. 4

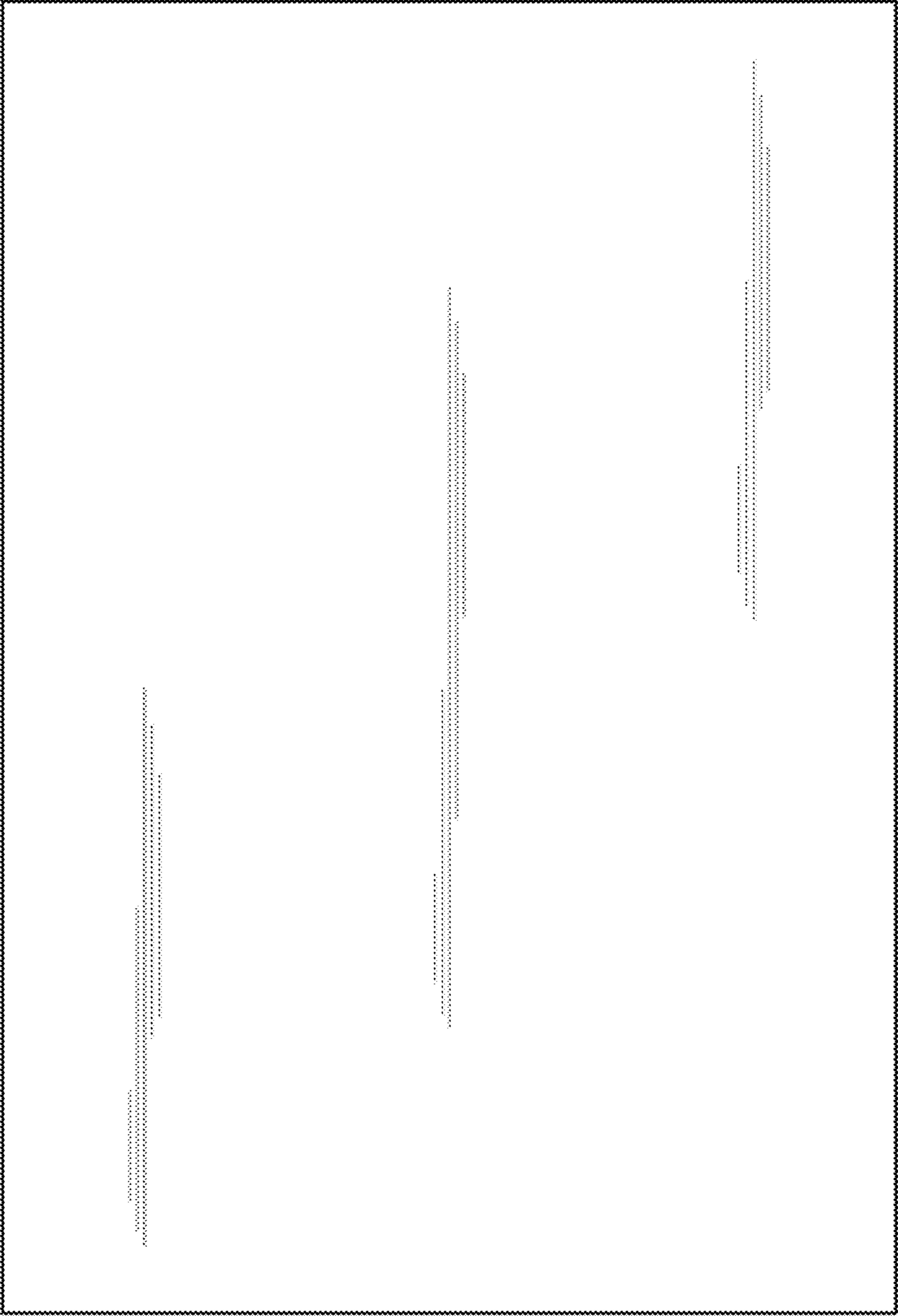
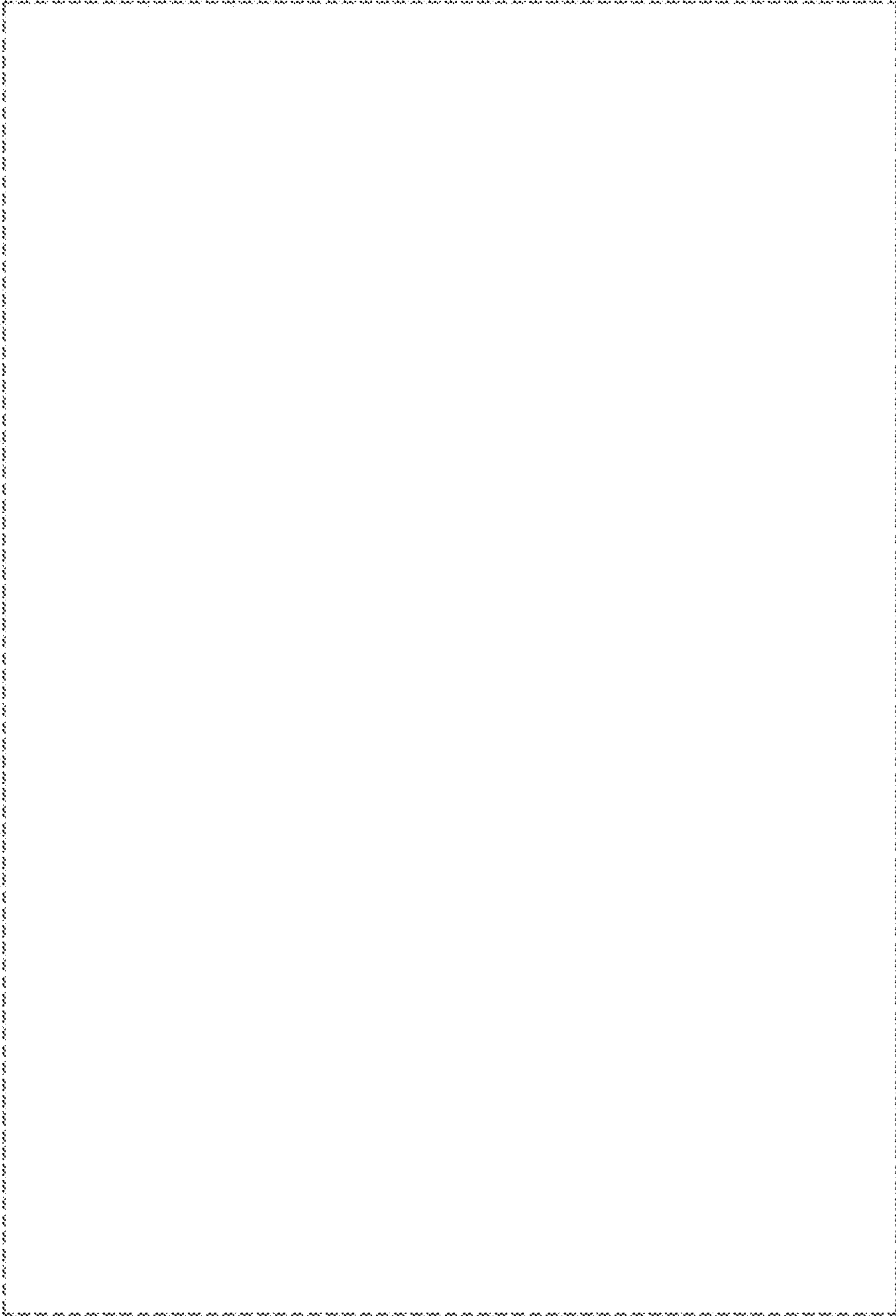


FIG. 5



*FIG. 6*