



US00D804860S

(12) **United States Design Patent**
Yamamoto

(10) **Patent No.:** **US D804,860 S**
(45) **Date of Patent:** **** Dec. 12, 2017**

- (54) **DESK**
- (71) Applicant: **Okamura Corporation**, Yokohama-shi, Kanagawa (JP)
- (72) Inventor: **Takayuki Yamamoto**, Yokohama (JP)
- (73) Assignee: **Okamura Corporation**, Yokohama-shi (JP)
- (**) Term: **15 Years**
- (21) Appl. No.: **29/560,629**
- (22) Filed: **Apr. 8, 2016**

(30) **Foreign Application Priority Data**

Oct. 19, 2015 (JP) 2015-023008

- (51) **LOC (10) Cl.** **06-03**
- (52) **U.S. Cl.**
USPC **D6/648**

(58) **Field of Classification Search**

USPC D6/641, 656, 698, 709, 648, 648.1,
D6/656.13, 702, 709.2, 709.21, 656.14
CPC A47B 9/12; A47B 21/00; A47B 21/02;
A47B 41/00; A47B 41/02; A47B 13/02;
A47B 9/00; A47B 2200/002; A47B 9/20;
A47B 2200/005; A47B 2200/0051; A47B
2200/0054; A47B 2200/0055

See application file for complete search history.

(56) **References Cited**

U.S. PATENT DOCUMENTS

- 5,706,739 A * 1/1998 Shaheen A47B 9/02
108/146
- 5,931,488 A * 8/1999 Graziano A47B 13/00
108/127
- 9,232,855 B2 * 1/2016 Ergun A47B 9/02
- 2002/0145088 A1 * 10/2002 Santoro A47B 9/04
248/188.2

- 2011/0247530 A1 * 10/2011 Coffman A47B 3/0911
108/116
- 2012/0043436 A1 * 2/2012 Atkinson A47B 9/20
248/188.5
- 2014/0096706 A1 * 4/2014 Labrosse A47B 21/02
108/21
- 2015/0108297 A1 * 4/2015 Randlov A47B 9/04
248/188.4
- 2015/0120238 A1 * 4/2015 Marvit A47B 9/00
702/152
- 2015/0164218 A1 * 6/2015 Bonuccelli A47B 9/20
108/147.19
- 2015/0216296 A1 * 8/2015 Mitchell B62B 3/02
108/21

(Continued)

Primary Examiner — Rosemary K Tarcza

Assistant Examiner — Alison Ofstun

(74) *Attorney, Agent, or Firm* — Sughrue Mion, PLLC

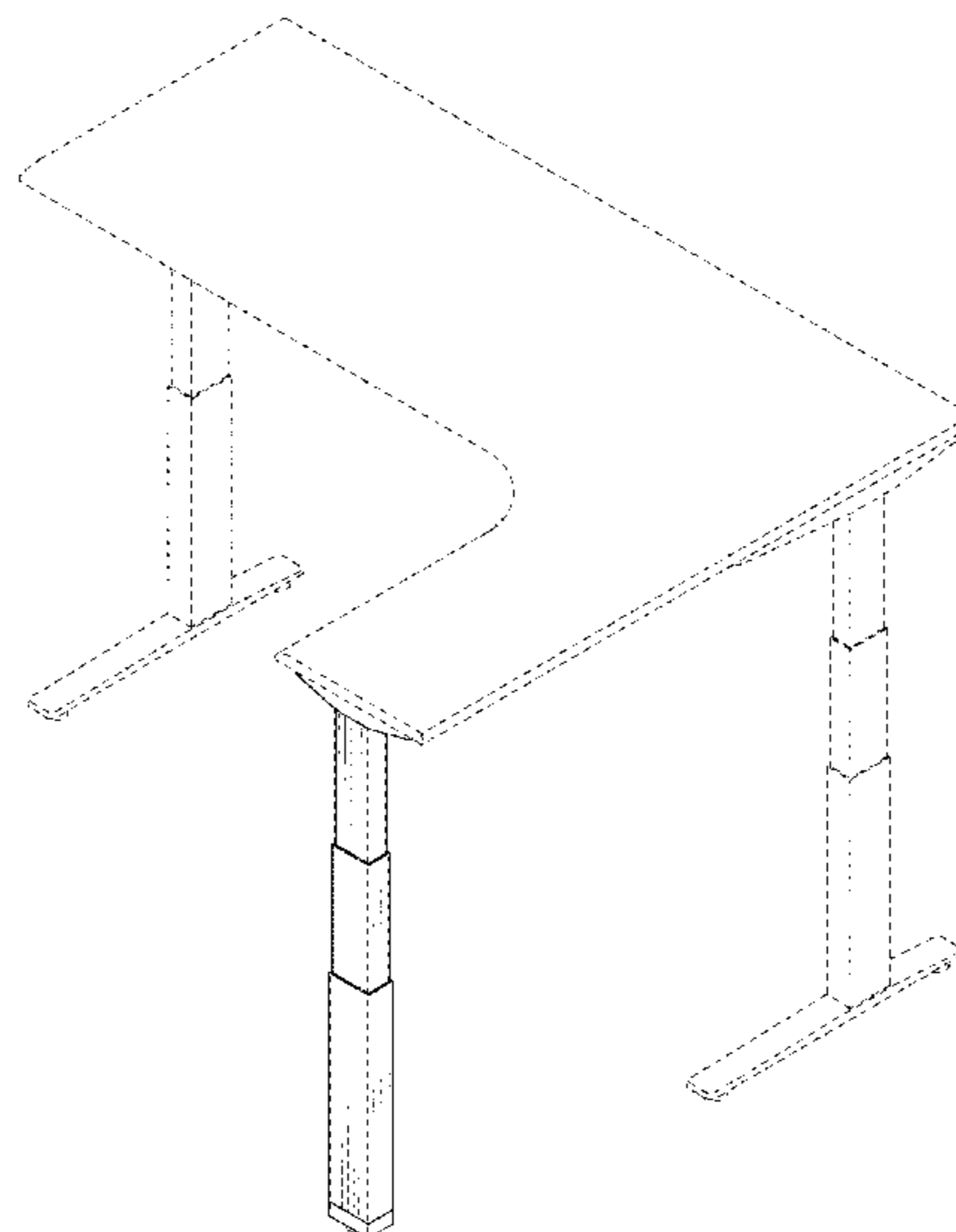
(57) **CLAIM**

The ornamental design for a desk, as shown and described.

DESCRIPTION

FIG. 1 is a perspective view of a desk.
 FIG. 2 is a front elevation view thereof.
 FIG. 3 is a rear elevation view thereof.
 FIG. 4 is a right side elevation view thereof.
 FIG. 5 is a left side elevation view thereof.
 FIG. 6 is a top plan view thereof.
 FIG. 7 is a bottom plan view thereof.
 FIG. 8 is a cross-sectional view taken along the line 8-8 in FIG. 4.
 FIG. 9 is a cross-sectional view taken along the line 9-9 in FIG. 4; and,
 FIG. 10 is a perspective view of the desk shown in an alternate position.
 The broken lines shown in the drawings illustrate portions of the desk that form no part of the claimed design.

1 Claim, 10 Drawing Sheets



(56)

References Cited

U.S. PATENT DOCUMENTS

2015/0285430 A1* 10/2015 Wang A47B 9/04
248/188.5
2015/0320198 A1* 11/2015 Zebarjad A47B 9/20
108/147
2016/0037907 A1* 2/2016 Ergun A47B 9/12
108/147
2016/0260019 A1* 9/2016 Riquelme Ruiz A47B 21/007

* cited by examiner

FIG. 1

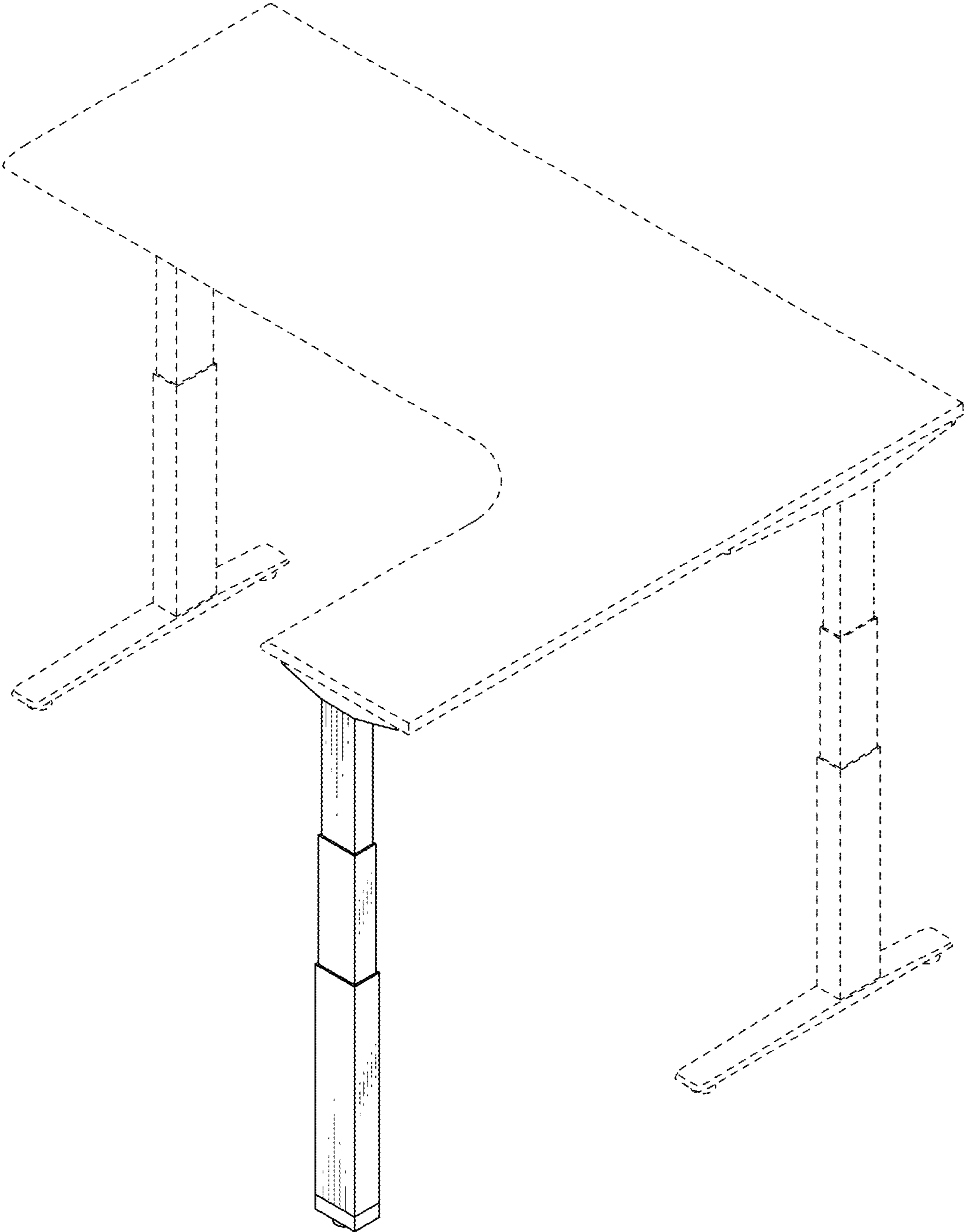


FIG. 2

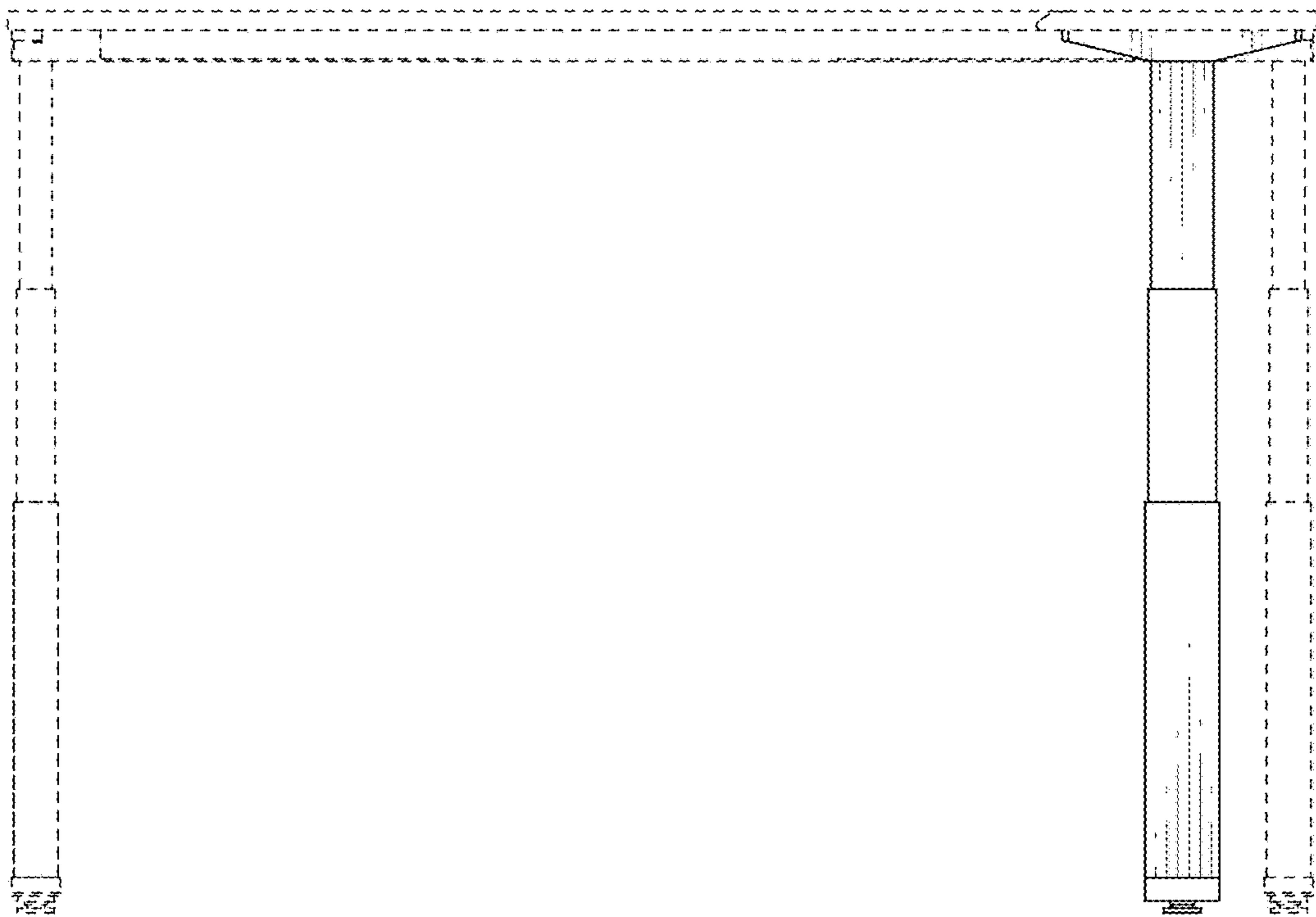


FIG. 3



FIG. 4

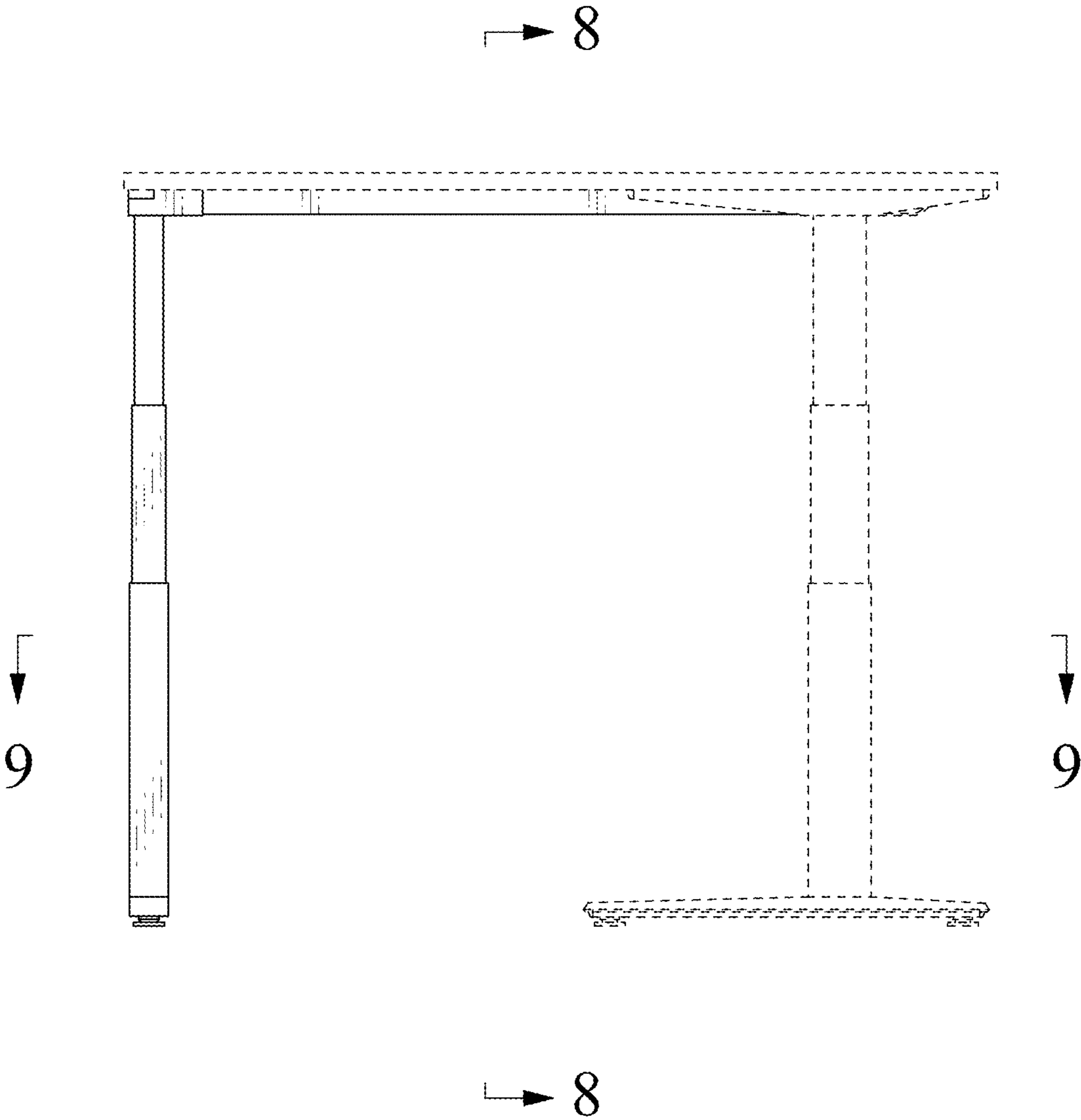


FIG. 5

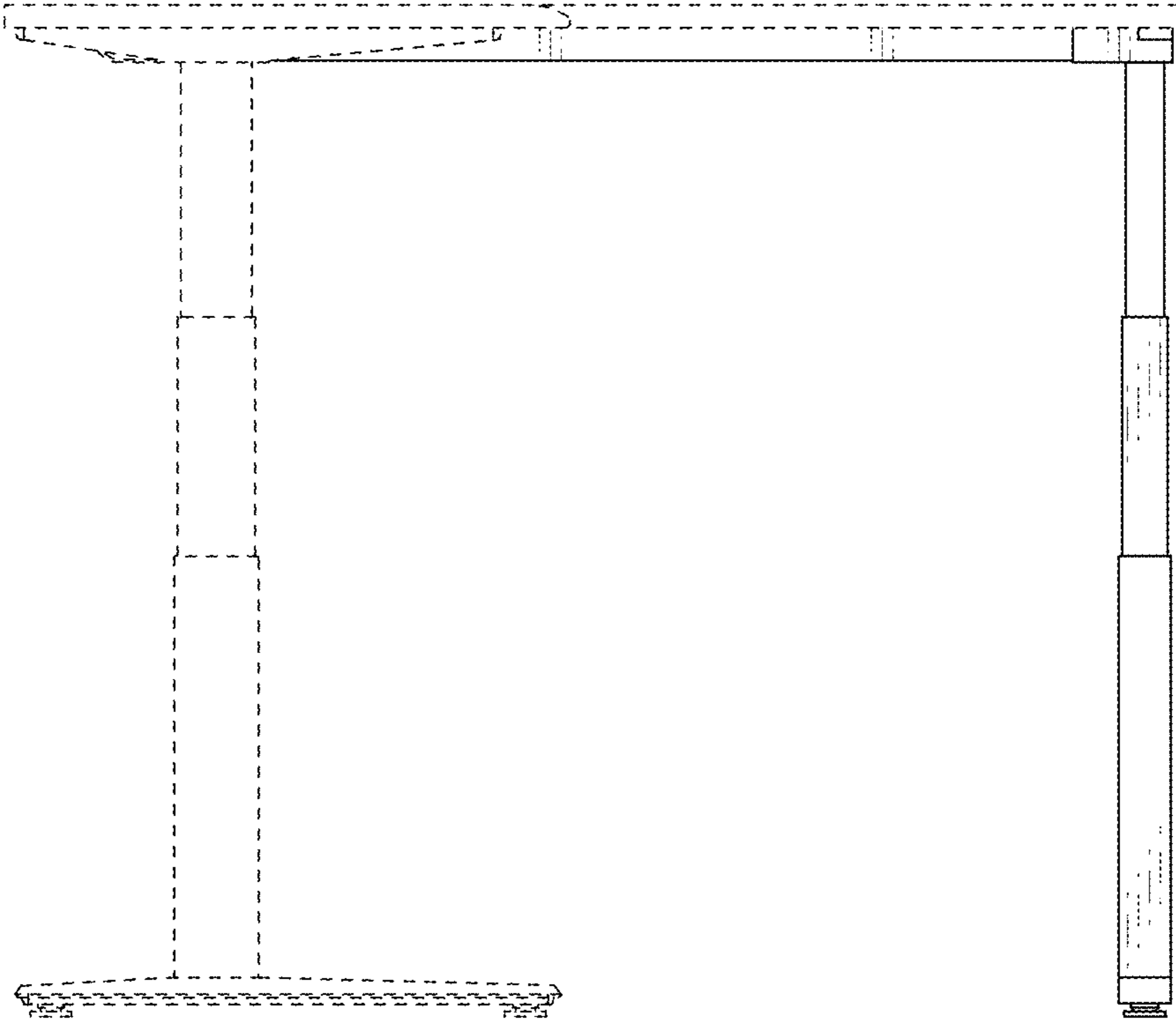


FIG. 6

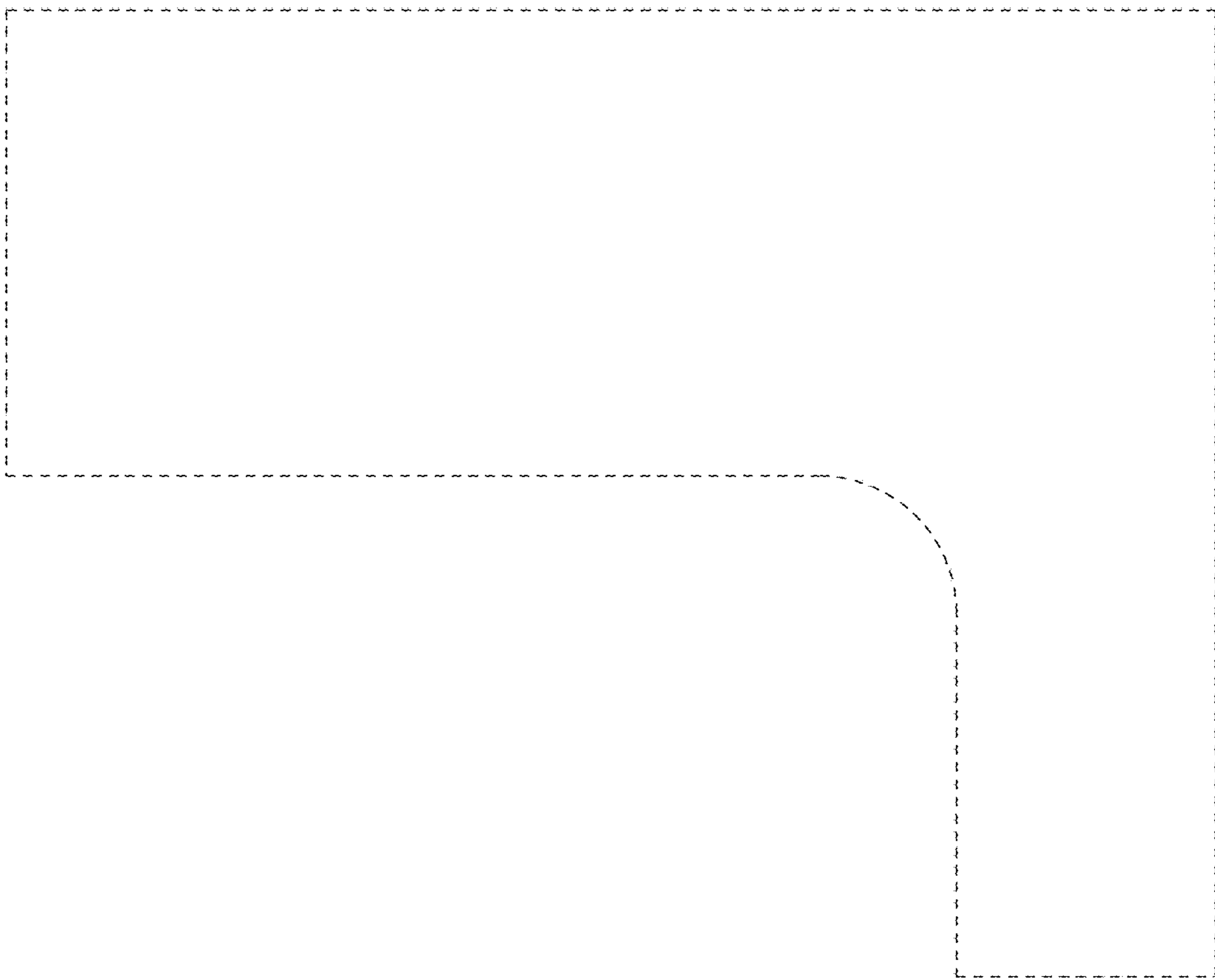


FIG. 7

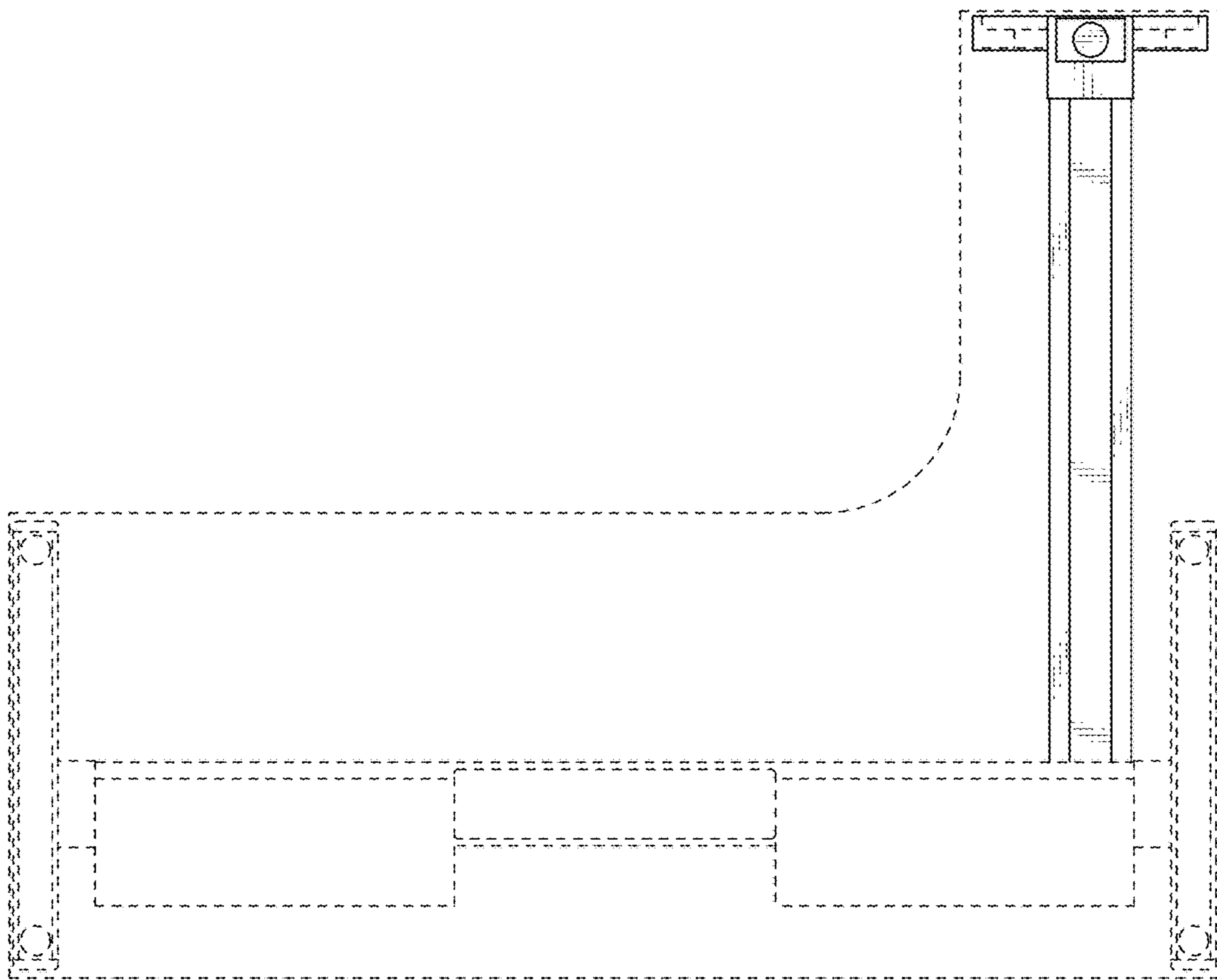


FIG. 8



FIG. 9

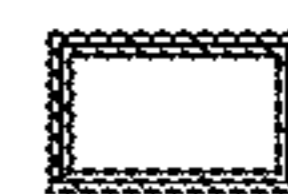
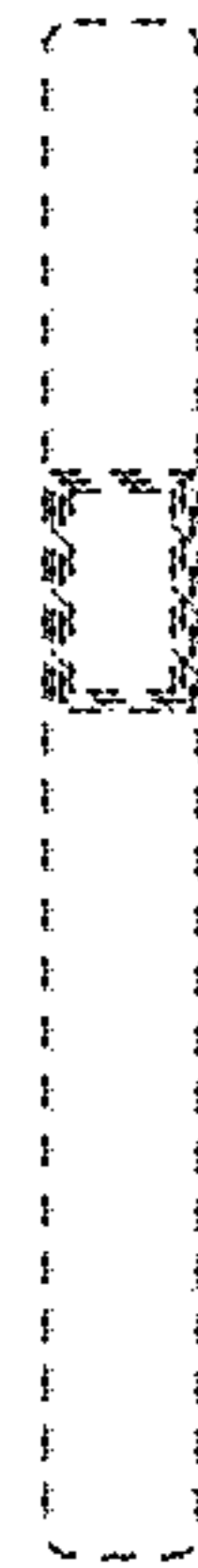


FIG. 10

