

US00D804855S

(12) **United States Design Patent** (10) **Patent No.:** **US D804,855 S**
Ross (45) **Date of Patent:** **** Dec. 12, 2017**

- (54) **MATTRESS**
- (71) Applicant: **DREAMWELL, LTD.**, Las Vegas, NV (US)
- (72) Inventor: **James P. Ross**, Atlanta, GA (US)
- (73) Assignee: **DREAMWELL, LTD.**, Las Vegas, NV (US)
- (**) Term: **15 Years**
- (21) Appl. No.: **29/552,059**
- (22) Filed: **Jan. 20, 2016**
- (51) **LOC (10) Cl.** **06-09**
- (52) **U.S. Cl.**
USPC **D6/606**
- (58) **Field of Classification Search**
USPC D6/582-583, 587-592, 595-613, D6/617-622; D21/803-809; D24/183
CPC A47G 9/00; A47G 2009/001; A47G 2009/002; A47G 2009/003; A47G 2009/005; A47G 2009/006; A47G 9/02; A47G 9/0207; A47G 9/0215; A47G 9/0223; A47G 9/023; A47G 9/0238; A47G 9/0246; A47G 9/0253; A47G 9/0261; A47G 9/06; A47G 9/062; A47G 9/066; A47G 9/068; A47G 9/08; A47G 2009/0276; A47G 9/0284; A47G 9/0292; A47G 9/04; A47G 9/10
See application file for complete search history.

D673,413 S * 1/2013 Price D6/605
 D681,999 S * 5/2013 Price D6/605
 D731,819 S * 6/2015 Wightman D6/605
 2012/0297547 A1 * 11/2012 Myers D05B 11/005 5/737

* cited by examiner

Primary Examiner — Mary Ann Calabrese
Assistant Examiner — Jennifer L Rempfer
 (74) *Attorney, Agent, or Firm* — Cantor Colburn LLP

(57) **CLAIM**

I claim the ornamental design for a mattress, as shown and described.

DESCRIPTION

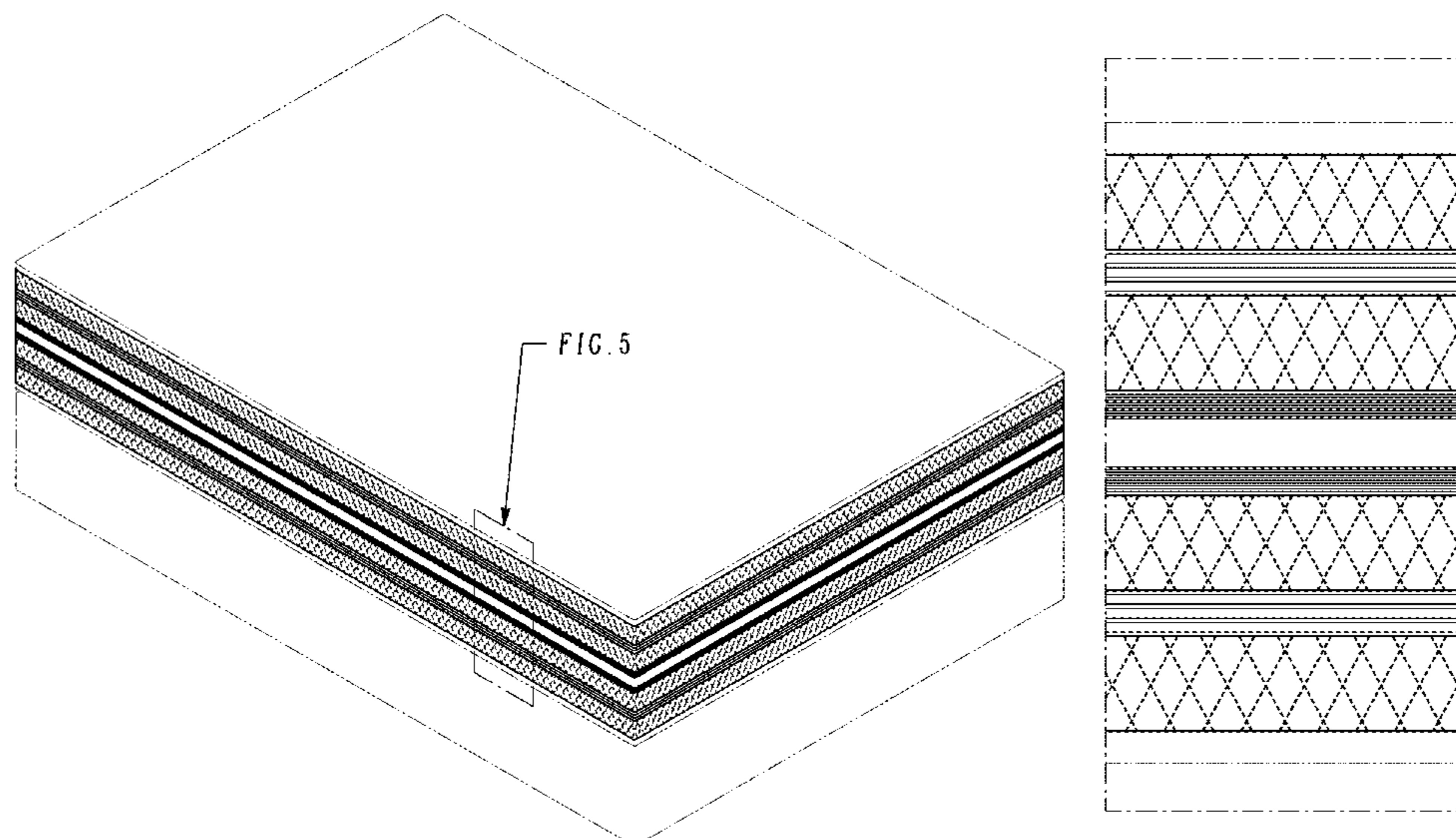
FIG. 1 is a left side, top perspective view of a mattress embodying my design;
 FIG. 2 is a top plan view thereof, the bottom being a mirror image thereof;
 FIG. 3 is a left side view thereof, the right side being a mirror image thereof;
 FIG. 4 is a foot end view thereof, the head end being a mirror image thereof;
 FIG. 5 is an enlarged perspective view taken from FIG. 1 showing a portion of the mattress; and,
 FIG. 6 is an enlarged side view taken from FIG. 3 showing a portion of the mattress.
 The broken line boundaries are environmental and form no part of the claimed design. Accordingly, the dash-dot-dot-dash broken lines represent environmental subject matter showing the claimed mattress in use and do not form part of the claimed design. The dash-dot-dash broken lines surrounding FIGS. 5 and 6 and the corresponding detailed reference rectangles shown in FIGS. 1 and 2 represent boundaries that form no part of the claimed design. The short dot-dot broken lines represent claimed stitching and do form part of the claimed design.

(56) **References Cited**

U.S. PATENT DOCUMENTS

- 2,613,185 A * 10/1952 Marshall C11D 17/00 510/145
- D670,126 S * 11/2012 Price D6/605
- D670,951 S * 11/2012 Price D6/605
- D670,952 S * 11/2012 Price D6/605
- D670,953 S * 11/2012 Price D6/605

1 Claim, 4 Drawing Sheets



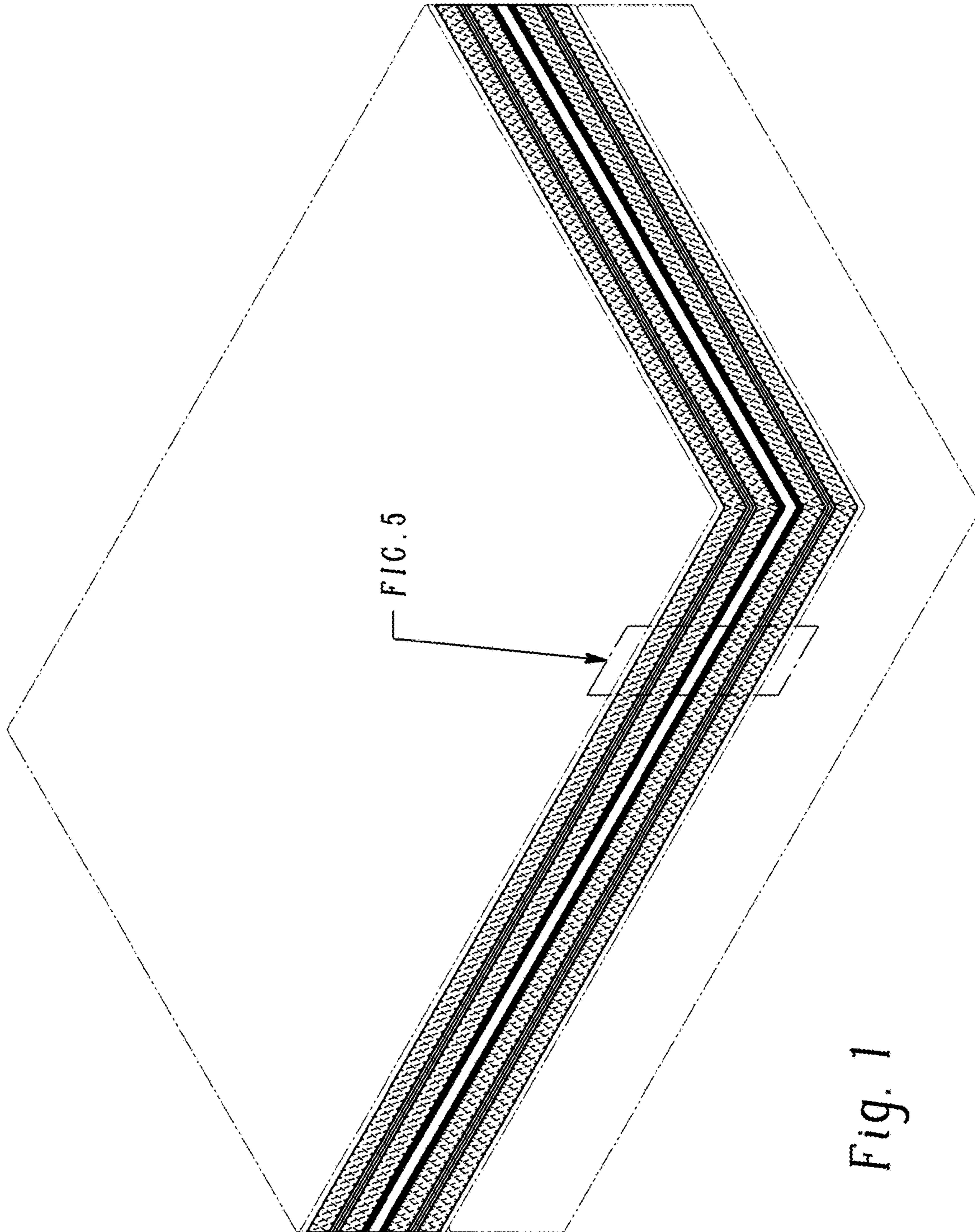




Fig. 2

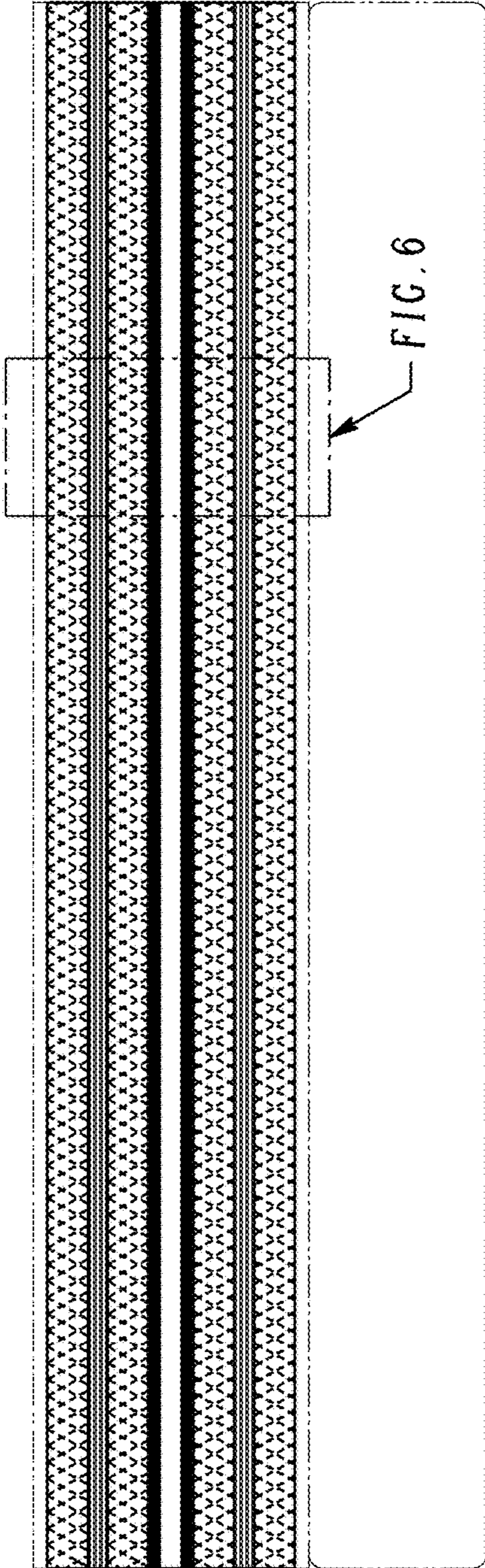


Fig. 3

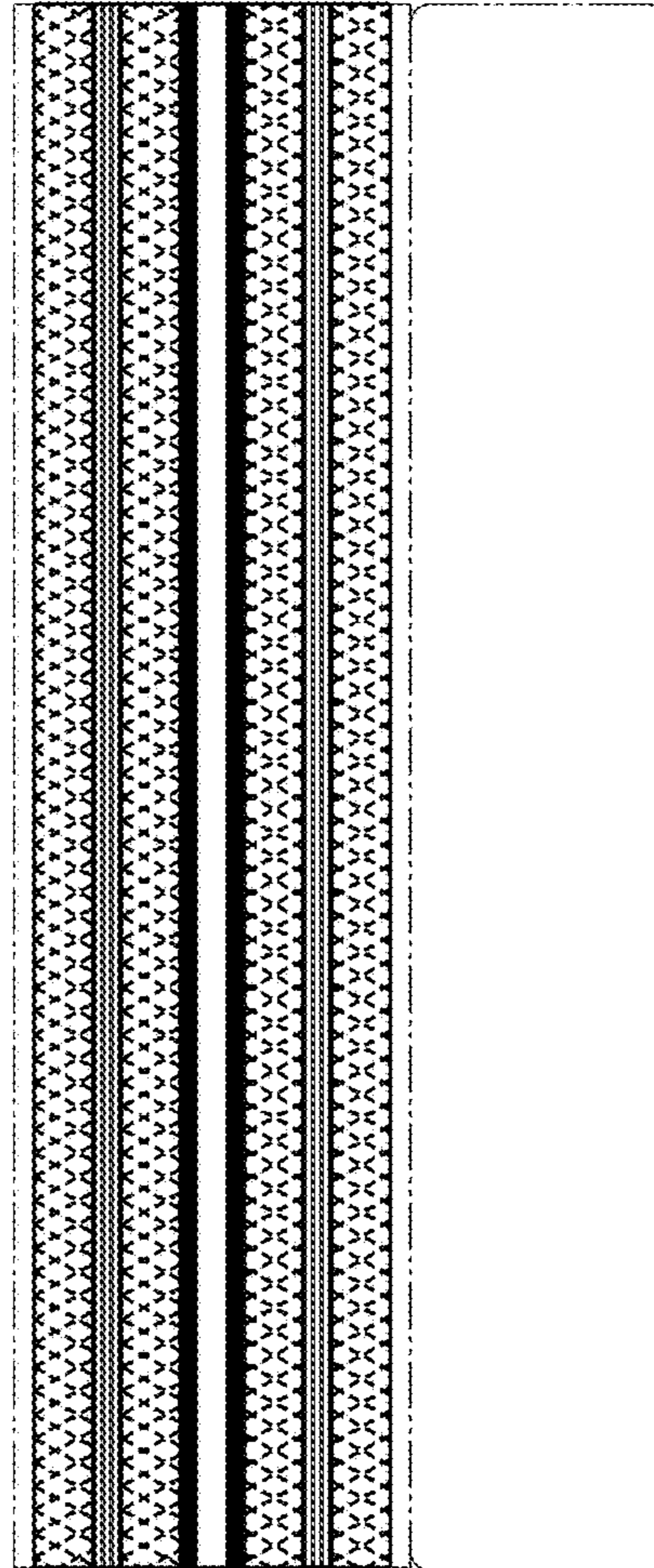


Fig. 4

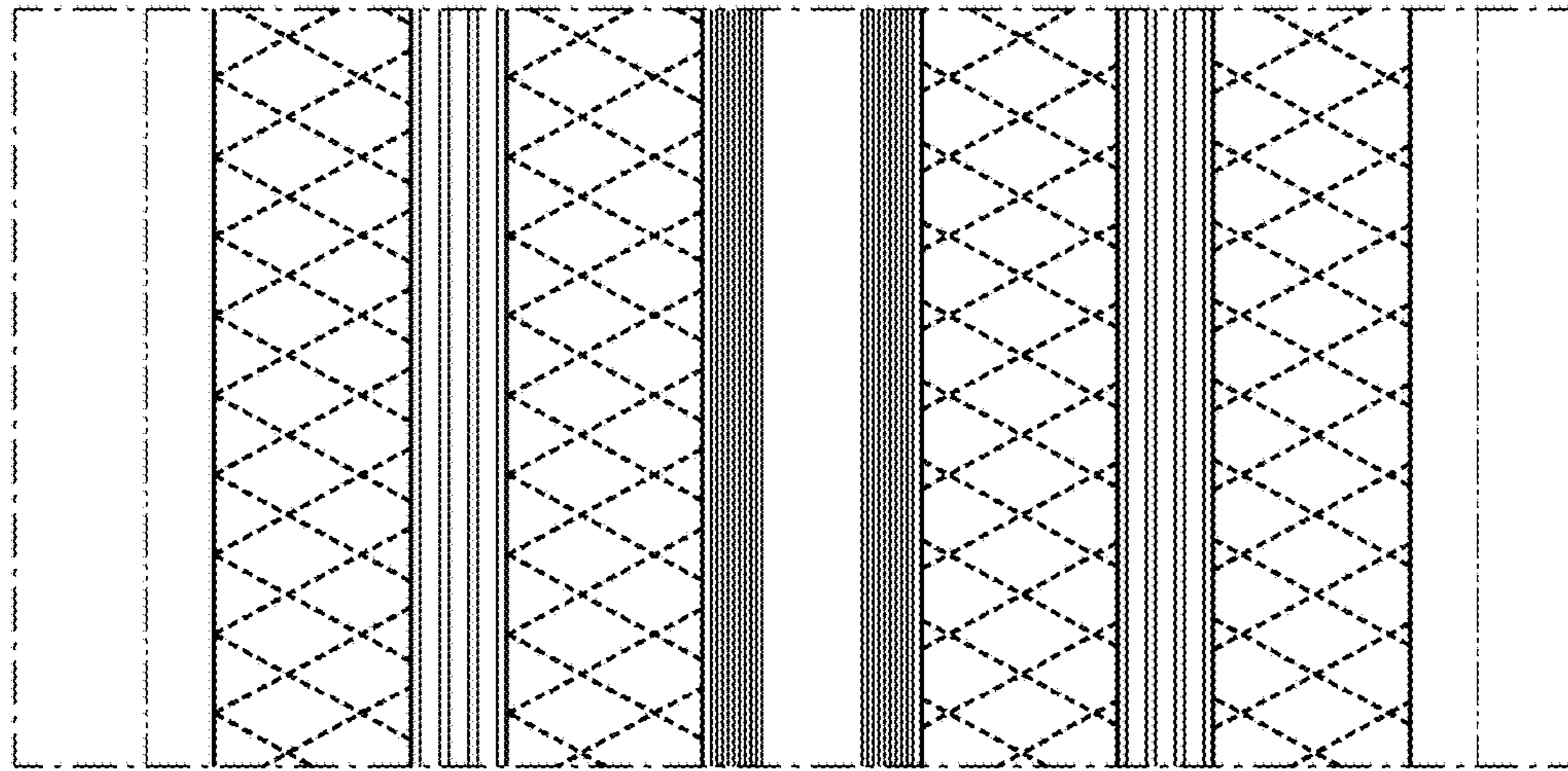


Fig. 6

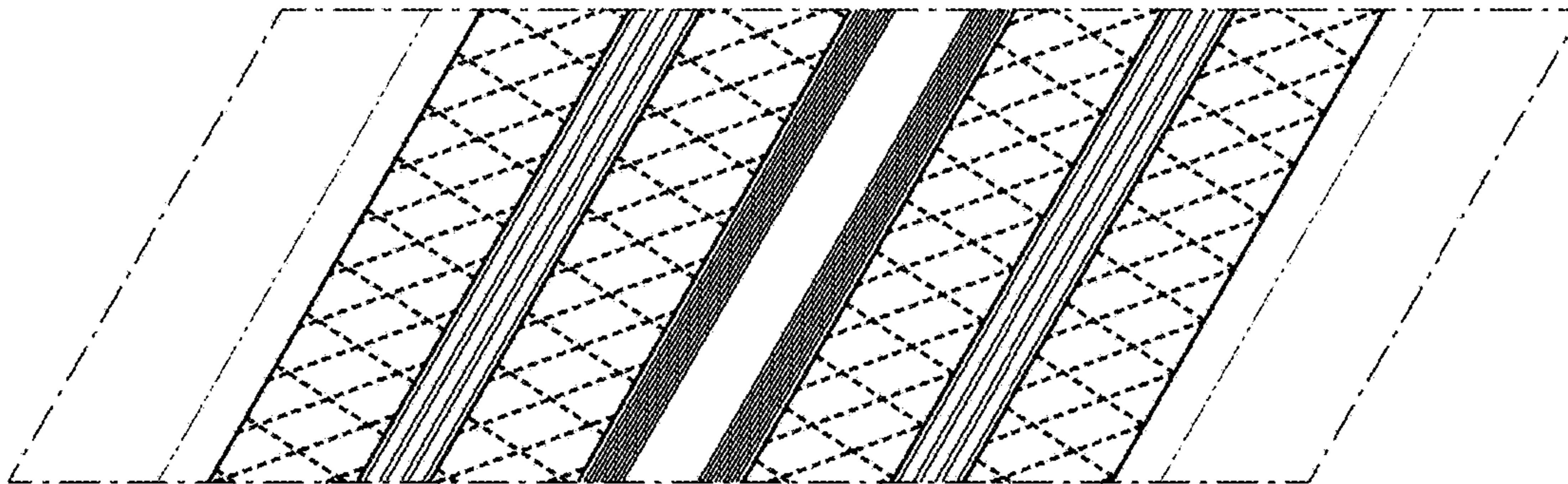


Fig. 5