



US00D804848S

(12) **United States Design Patent**  
**Morin**

(10) **Patent No.:** **US D804,848 S**

(45) **Date of Patent:** **\*\* Dec. 12, 2017**

(54) **BOOT TRAY**

(71) Applicant: **RONDI INDUSTRIES INC.**, Montreal (CA)

(72) Inventor: **Francois Morin**, Montreal (CA)

(73) Assignee: **RONDI INDUSTRIES INC.**, Montreal, Quebec (CA)

(\*\*) Term: **14 Years**

(21) Appl. No.: **29/515,987**

(22) Filed: **Jan. 28, 2015**

(51) **LOC (10) Cl.** ..... **06-11**

(52) **U.S. Cl.**  
USPC ..... **D6/582**; D3/304

(58) **Field of Classification Search**  
USPC ..... D3/304; D6/582-588, 592; D32/55-57  
CPC ..... A47G 27/0206; A47G 27/0212; A47G 27/0217; A47G 27/0225; A47G 27/0237; A47G 27/0243; A47G 27/0293; A47G 9/06; A47G 9/062; A47L 23/20; A47L 23/26; A47L 23/266; E04F 19/10  
See application file for complete search history.

(56) **References Cited**

**U.S. PATENT DOCUMENTS**

863,536 A	8/1907	Hudson	
D151,047 S *	9/1948	Jensen	206/564
D174,298 S *	3/1955	Timmons	4/520
D193,835 S *	10/1962	Kraines	D32/57
D196,169 S *	9/1963	Steinburg	D32/56
D228,606 S *	10/1973	Blount	D3/304
3,857,482 A	12/1974	Shelton	
D242,136 S *	11/1976	Matlock	D12/203
4,429,796 A	2/1984	Sussman	
4,467,927 A	8/1984	Nathan	
D290,059 S *	5/1987	Kirchner	D19/92
D303,310 S *	9/1989	Ross	D3/304
4,873,921 A	10/1989	Piane	
4,930,643 A	6/1990	Flum	

D322,697 S *	12/1991	Nguyen	D32/56
5,158,187 A	10/1992	Taub	
5,265,735 A	11/1993	Hassel	
D344,828 S *	3/1994	Adams	D32/56
D351,889 S *	10/1994	Buchanan	D21/803
D353,505 S *	12/1994	Rea	D6/582
5,588,541 A	12/1996	Goetz	
5,683,004 A	11/1997	Aho	

(Continued)

**OTHER PUBLICATIONS**

Extended European Search Report for European Patent Application 16152918.5-1653, dated Aug. 5, 2016, 9 pages.

*Primary Examiner* — Celia Murphy

*Assistant Examiner* — Clare Ann Gannon

(74) *Attorney, Agent, or Firm* — Moore & Van Allen PLLC; Peter B. Stewart

(57) **CLAIM**

The ornamental design for a boot tray, as shown and described.

**DESCRIPTION**

FIG. 1 is a perspective view of a boot tray showing my new design;

FIG. 2 is an inverted exploded perspective view thereof, with the bottom portion removed for convenience of illustration;

FIG. 3 is an exploded perspective view thereof;

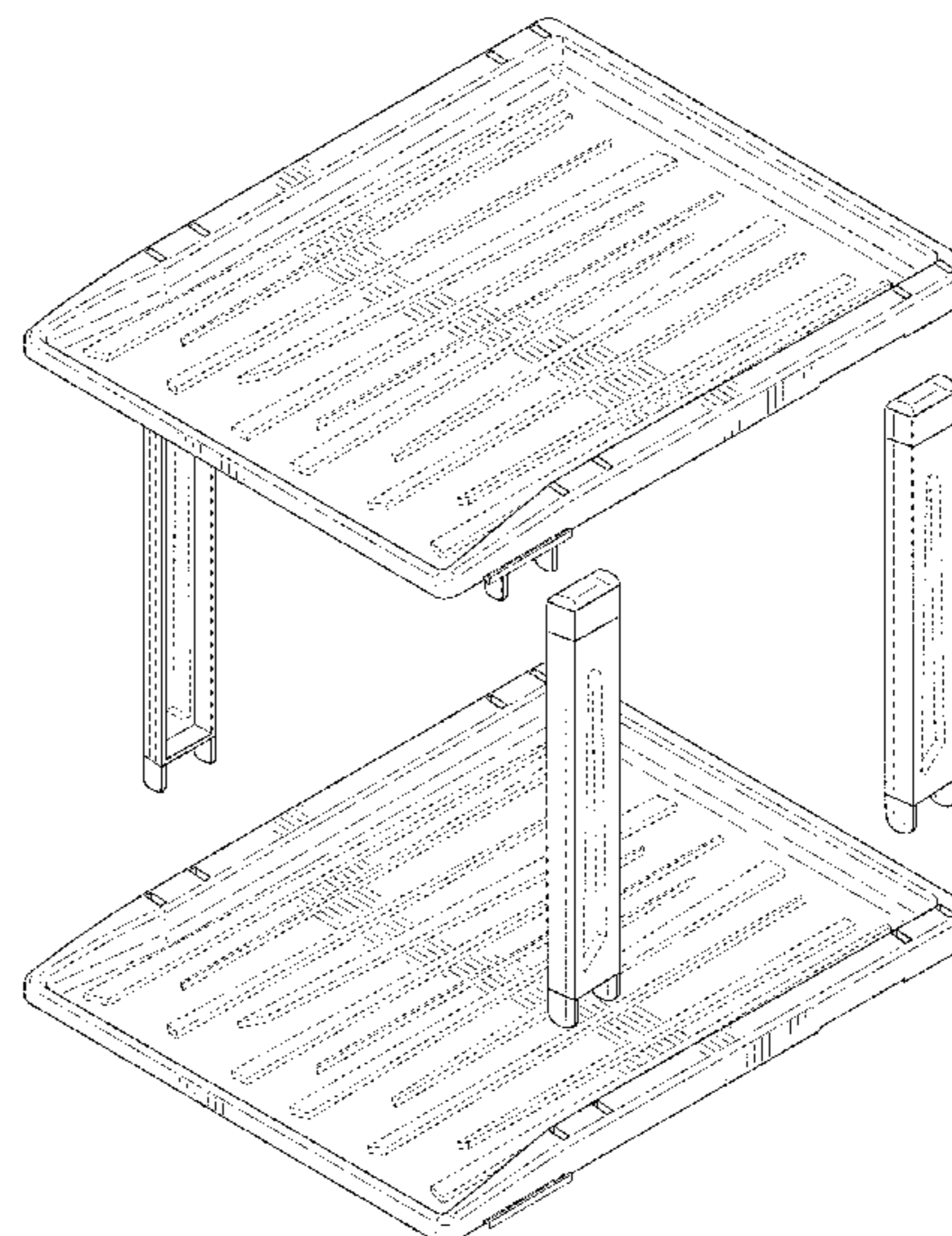
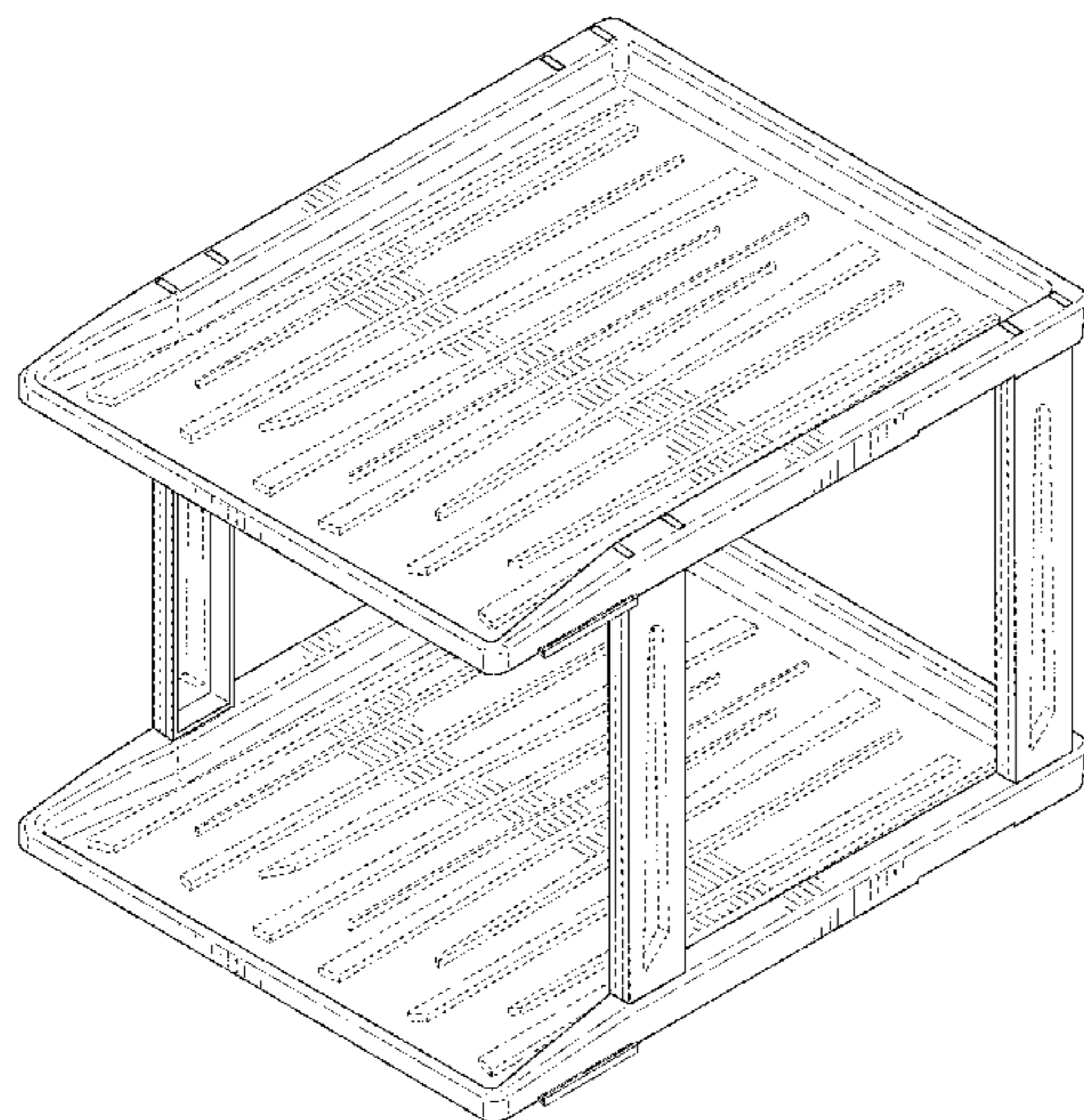
FIG. 4 is a top view thereof;

FIG. 5 is a left side view thereof; and,

FIG. 6 is a front view thereof.

The broken lines in the drawings are for the purpose of illustrating ridges and other portions of the boot tray that form no part of the claimed design. The surface shading, if any, illustrated in the drawings is provided merely to highlight the contour of the design; it is not intended to be illustrative of texture or gloss.

**1 Claim, 5 Drawing Sheets**



(56)

**References Cited**

U.S. PATENT DOCUMENTS

D396,913	S *	8/1998	Forbrich .....	D32/56
6,079,339	A	6/2000	Houk	
D515,315	S *	2/2006	Rader .....	D3/304
2006/0213843	A1 *	9/2006	Botner .....	A47B 43/00 211/34
2008/0053940	A1	3/2008	Whalen	
2008/0073300	A1 *	3/2008	Abraitis .....	A47B 61/04 211/36
2009/0242501	A1	10/2009	Yankello	
2015/0351534	A1 *	12/2015	Rege .....	A47B 61/04 211/36

\* cited by examiner

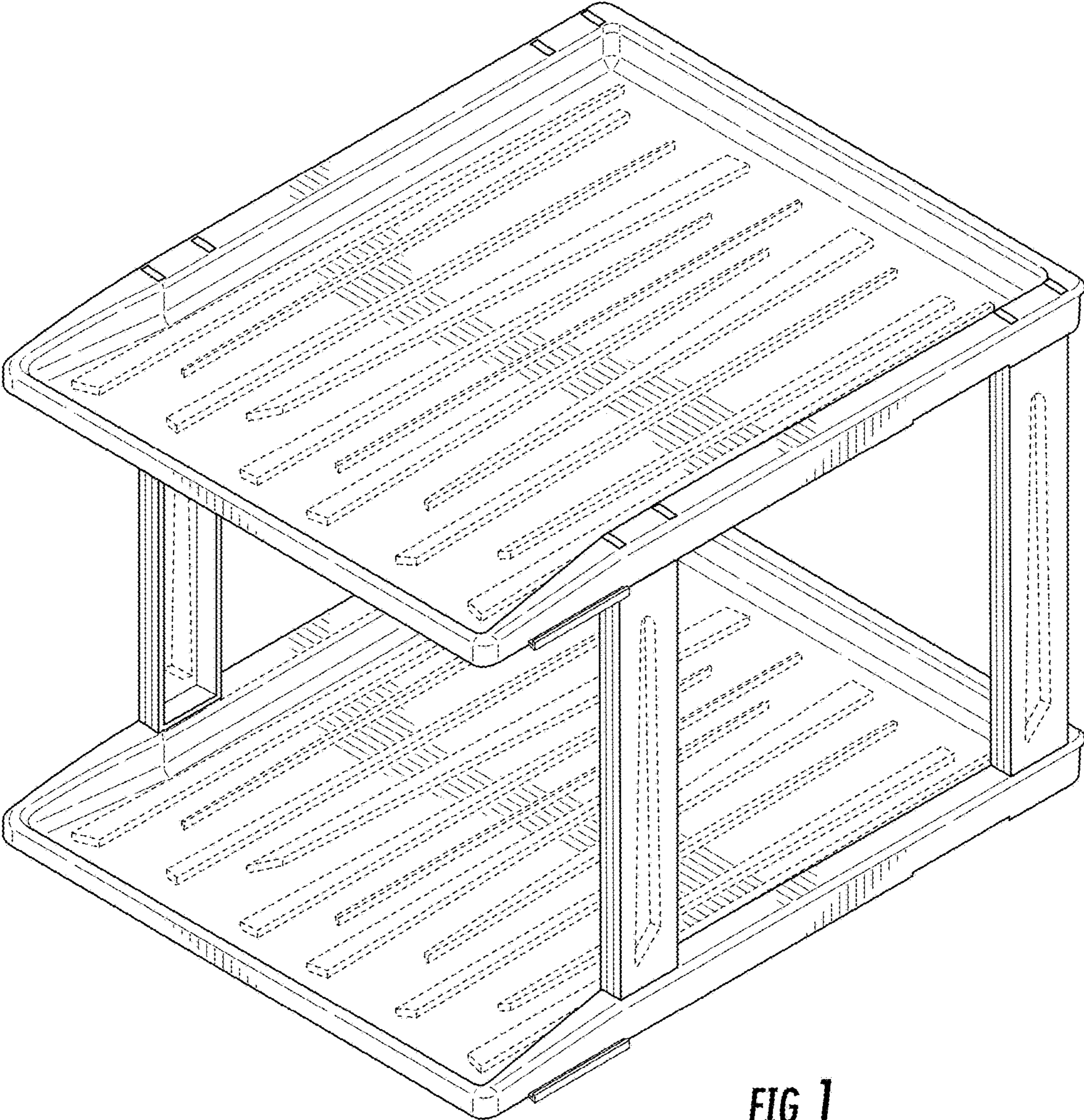
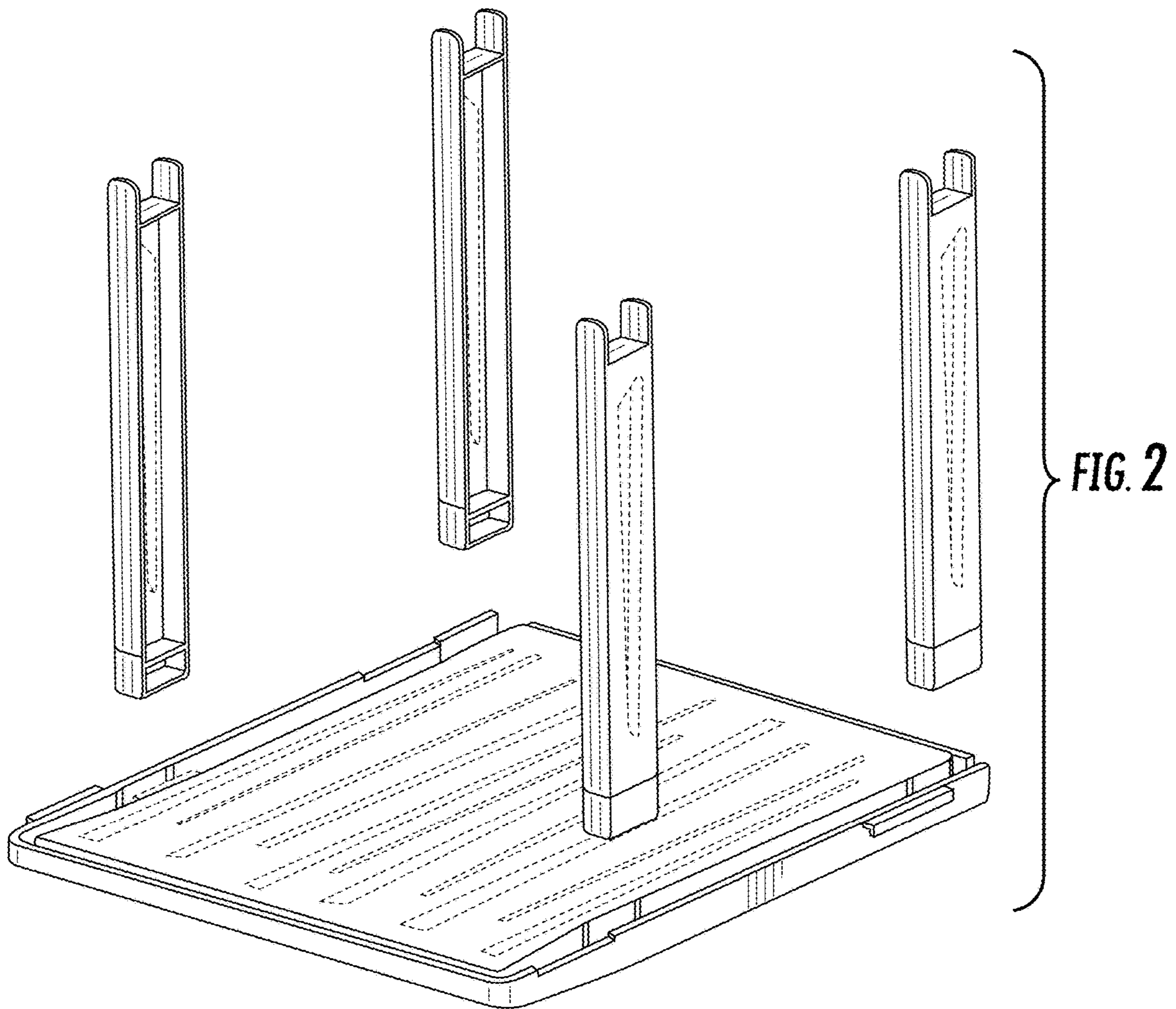


FIG. 1



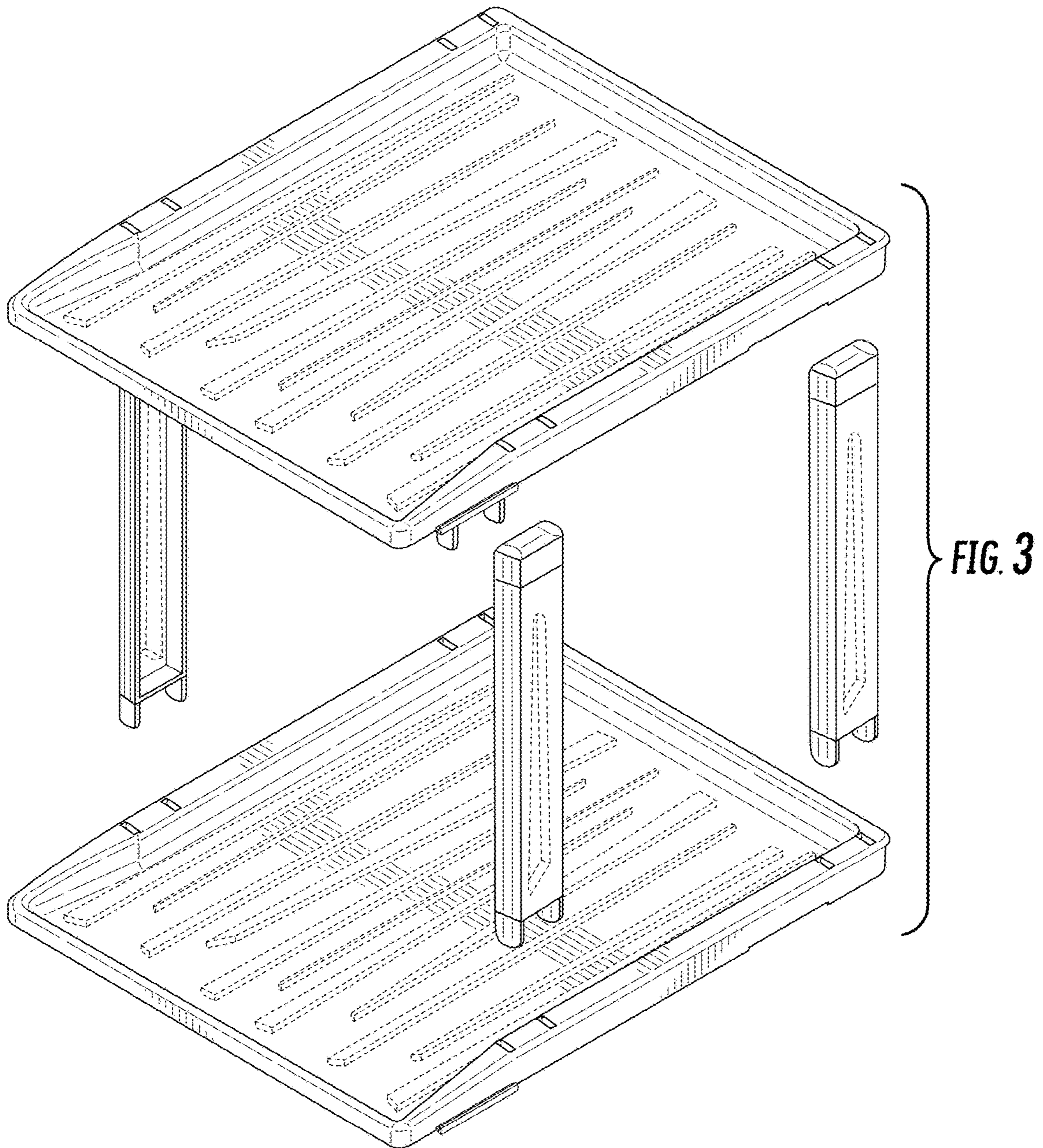


FIG. 4

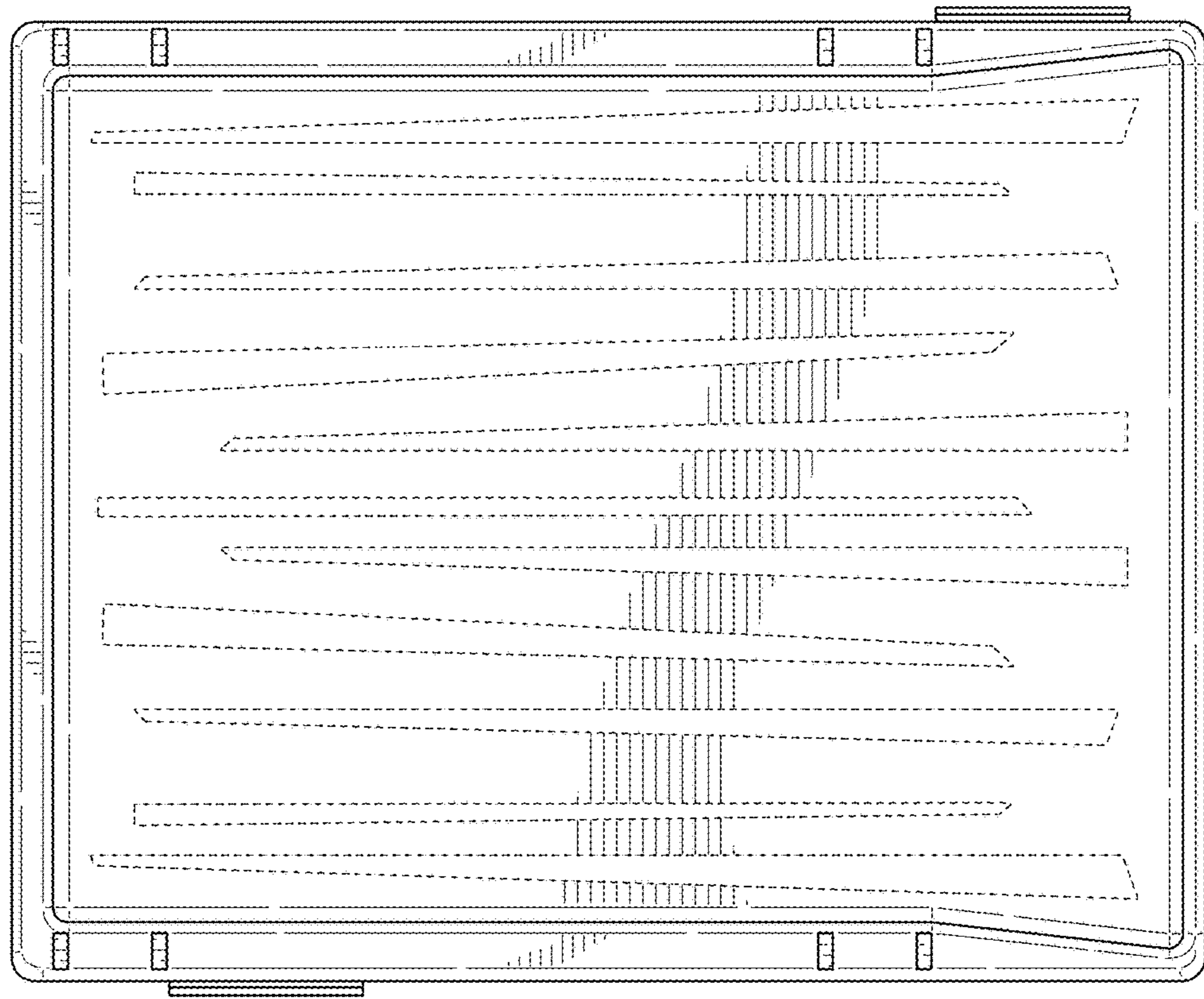
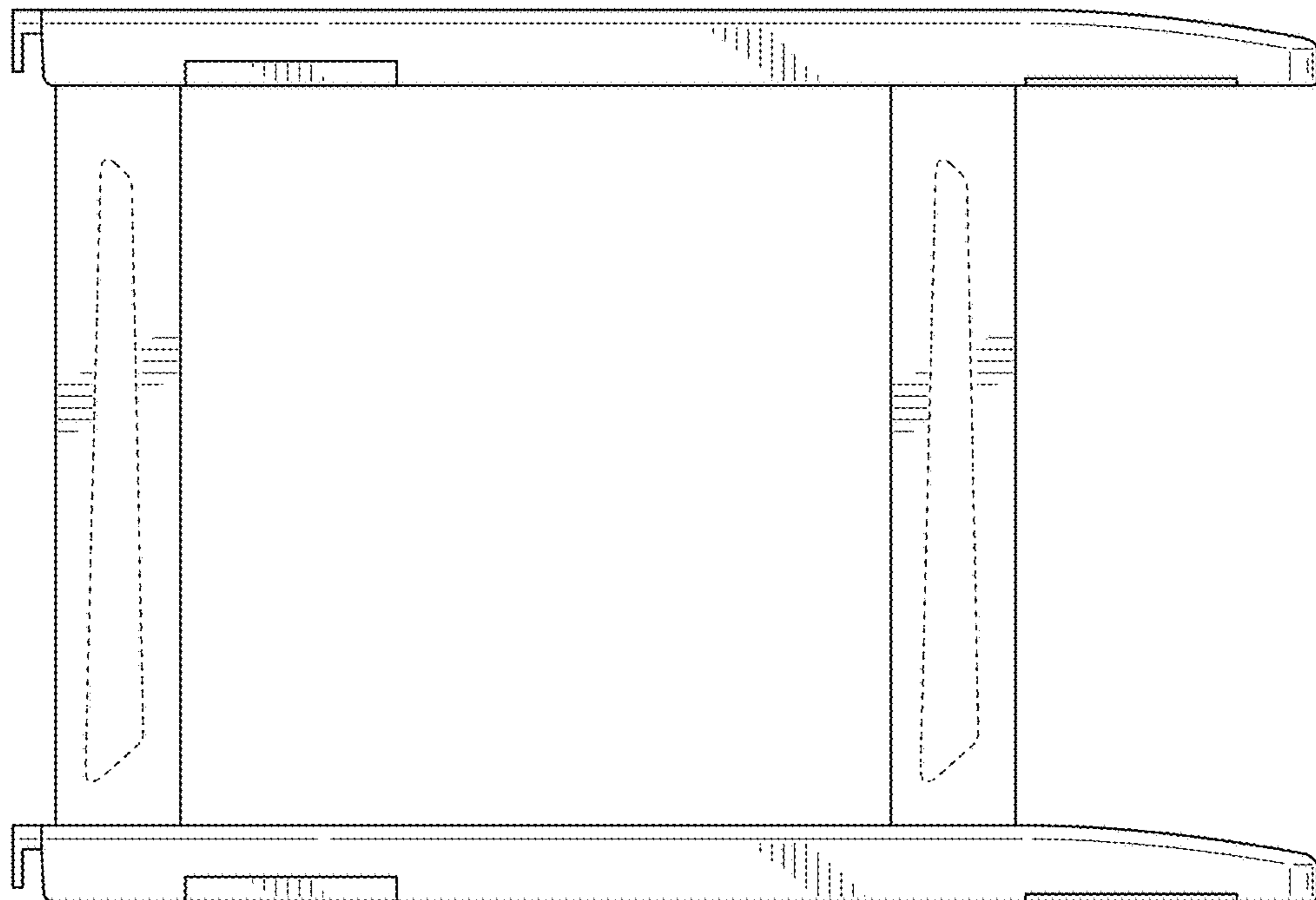
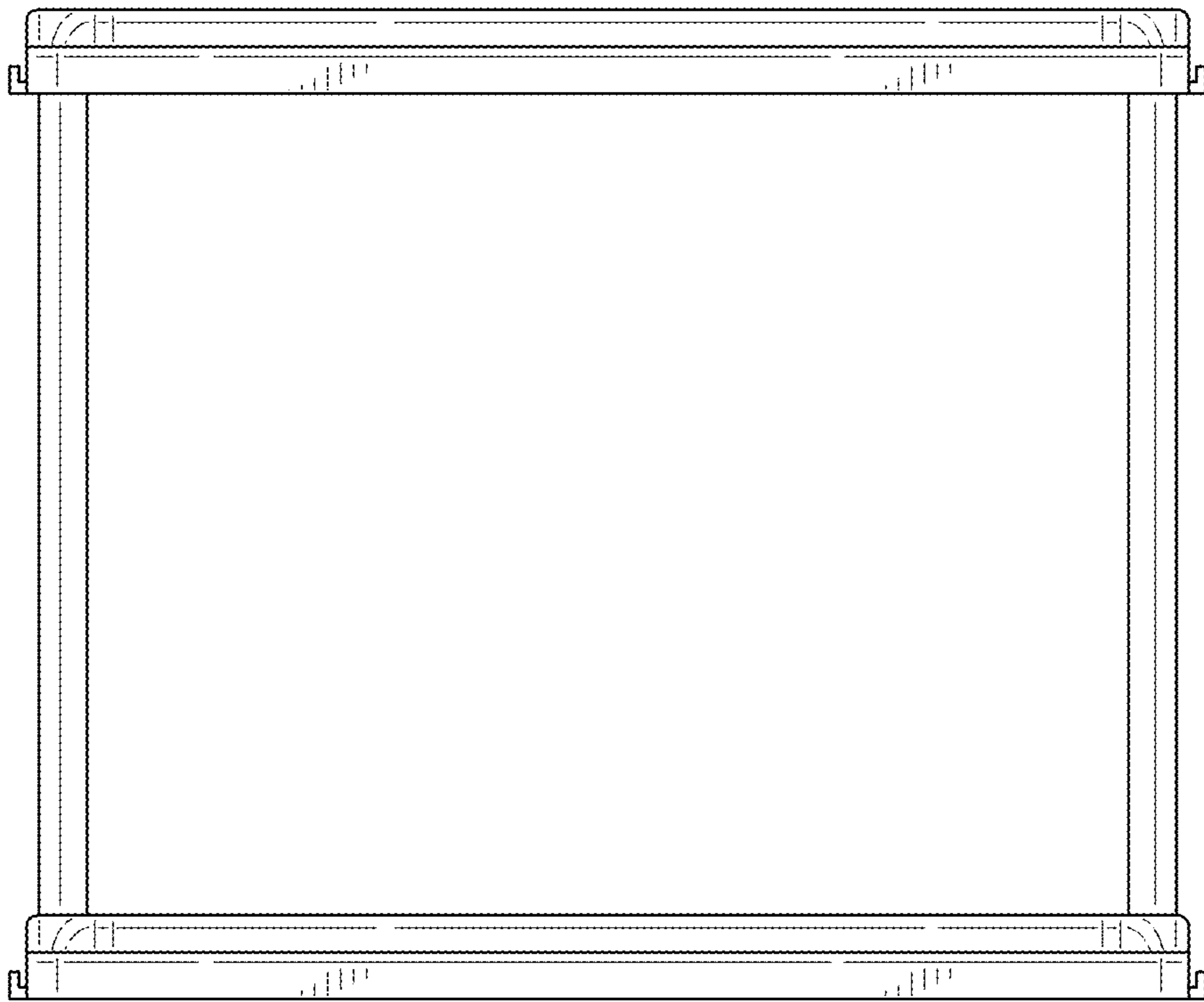


FIG. 5





**FIG. 6**