



US00D804847S

(12) **United States Design Patent** (10) **Patent No.:** **US D804,847 S**
Barnes (45) **Date of Patent:** **** Dec. 12, 2017**

(54) **HANGING KOOZIE ORGANIZER**
(71) Applicant: **Debra Barnes**, Wharton, TX (US)
(72) Inventor: **Debra Barnes**, Wharton, TX (US)
(**) Term: **15 Years**
(21) Appl. No.: **29/560,712**
(22) Filed: **Apr. 8, 2016**
(51) **LOC (10) Cl.** **07-07**
(52) **U.S. Cl.**
USPC **D6/515; D7/607**
(58) **Field of Classification Search**
USPC D6/515, 517, 518; D7/607, 624.2, 624.3;
D19/81, 84; D3/304, 307, 308, 313
CPC A45C 3/00; B65D 25/06; B65D 33/00;
B65D 33/1616; B65D 83/00; B65D
81/3876; B65D 81/3879; B65D 81/3886;
B65F 1/0053; A47F 13/085; A47F 7/00;
A47F 7/175; A47F 7/163; A47F 1/08;
A47B 81/007; G07F 9/02; G07F 11/045
See application file for complete search history.

D336,703 S * 6/1993 Mason, Jr. D19/81
5,285,927 A * 2/1994 Pruitt B65D 83/00
221/22
5,341,933 A * 8/1994 Willows B65D 33/00
206/554
5,451,108 A * 9/1995 Anderson B65D 31/12
383/38
5,503,476 A 4/1996 Hamdan
5,511,691 A * 4/1996 West, Jr. A47F 13/085
221/311
D419,010 S * 1/2000 Hansen D6/515
6,012,843 A * 1/2000 Brooks B65D 33/00
383/24
6,190,045 B1 * 2/2001 Schulman B65D 33/1616
383/24
6,209,734 B1 4/2001 Wang
D502,622 S * 3/2005 Berger D6/515
7,111,753 B2 * 9/2006 Scheetz, II B65D 81/3879
215/12.1

(Continued)

Primary Examiner — Terry A Wallace
(74) *Attorney, Agent, or Firm* — Stevenson IP, LLC

(57) **CLAIM**

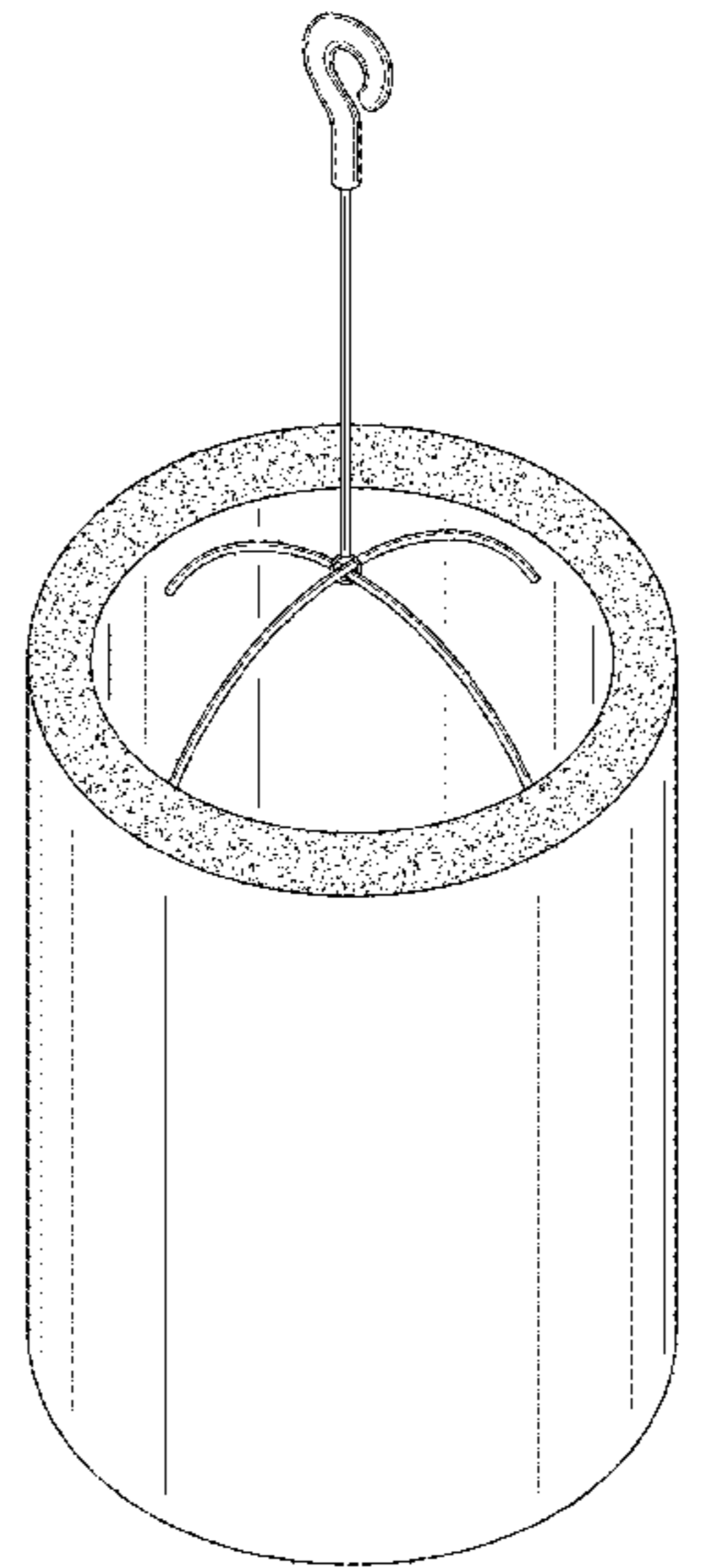
The ornamental design for a hanging koozie organizer, as shown and described.

DESCRIPTION

FIG. 1 is a front elevation view of a hanging koozie organizer showing my new design; FIG. 2 is a rear elevation view thereof; FIG. 3 is a right side elevation view thereof, the opposite side being a mirror image of the shown; FIG. 4 is a top plan view thereof; FIG. 5 is a bottom plan view thereof; and, FIG. 6 is an isometric view thereof. The broken lines in FIG. 1 of the drawings depict the word LOGO as environmental subject matter only and form no part of the claimed design.

1 Claim, 6 Drawing Sheets

(56) **References Cited**
U.S. PATENT DOCUMENTS
3,708,005 A * 1/1973 Crain A45C 3/00
190/126
3,720,346 A * 3/1973 Cypher B65D 25/06
220/254.4
4,540,611 A * 9/1985 Henderson B65D 23/08
150/901
D282,234 S * 1/1986 Henderson D7/608
4,574,981 A * 3/1986 Jewett A47F 1/08
221/283
4,739,894 A * 4/1988 Pender B65F 1/0053
220/23.4
4,979,833 A * 12/1990 Cook A45C 3/00
383/109
D329,344 S * 9/1992 Carillo D6/515



(56)

References Cited

U.S. PATENT DOCUMENTS

7,717,293	B2 *	5/2010	Bellafatto	A47F 13/085 221/312 C
8,215,500	B2	7/2012	Constantine	
2005/0199641	A1 *	9/2005	Yang	A47F 9/042 221/1
2007/0138188	A1 *	6/2007	Mace	B31D 5/0086 220/739
2008/0017654	A1 *	1/2008	Chu	B65D 81/3886 220/739
2008/0164269	A1 *	7/2008	Vorderkunz	B65D 81/3874 220/739
2011/0192859	A1 *	8/2011	Belford	B65D 81/3876 220/739
2013/0075412	A1 *	3/2013	Schminke	B65D 81/3876 220/739

* cited by examiner

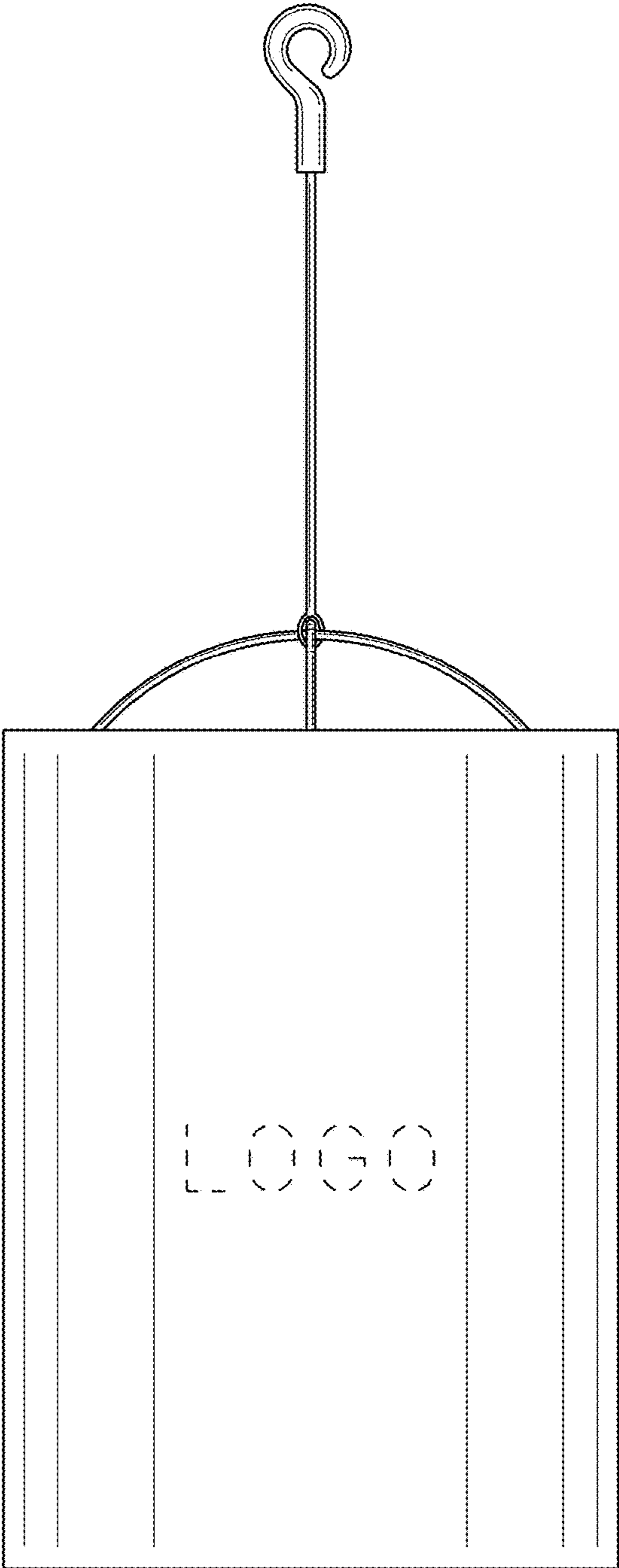


FIG. 1

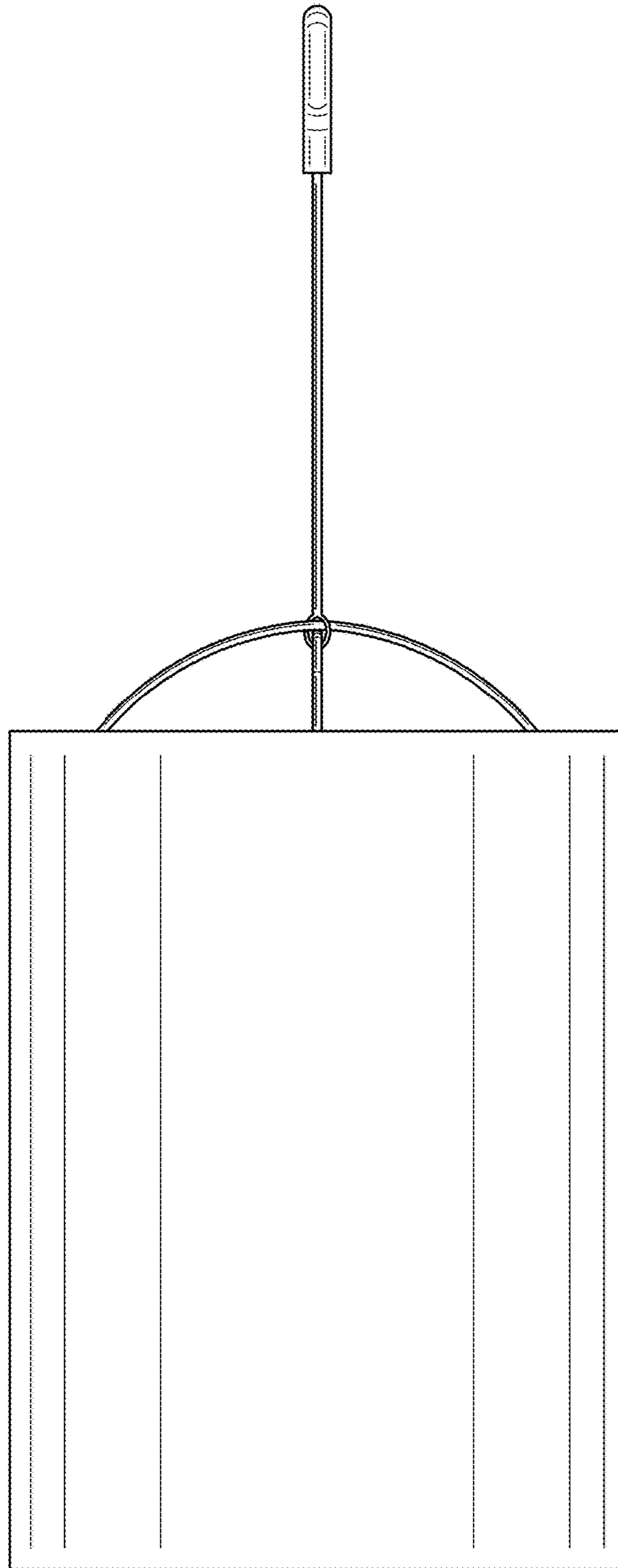


FIG. 2

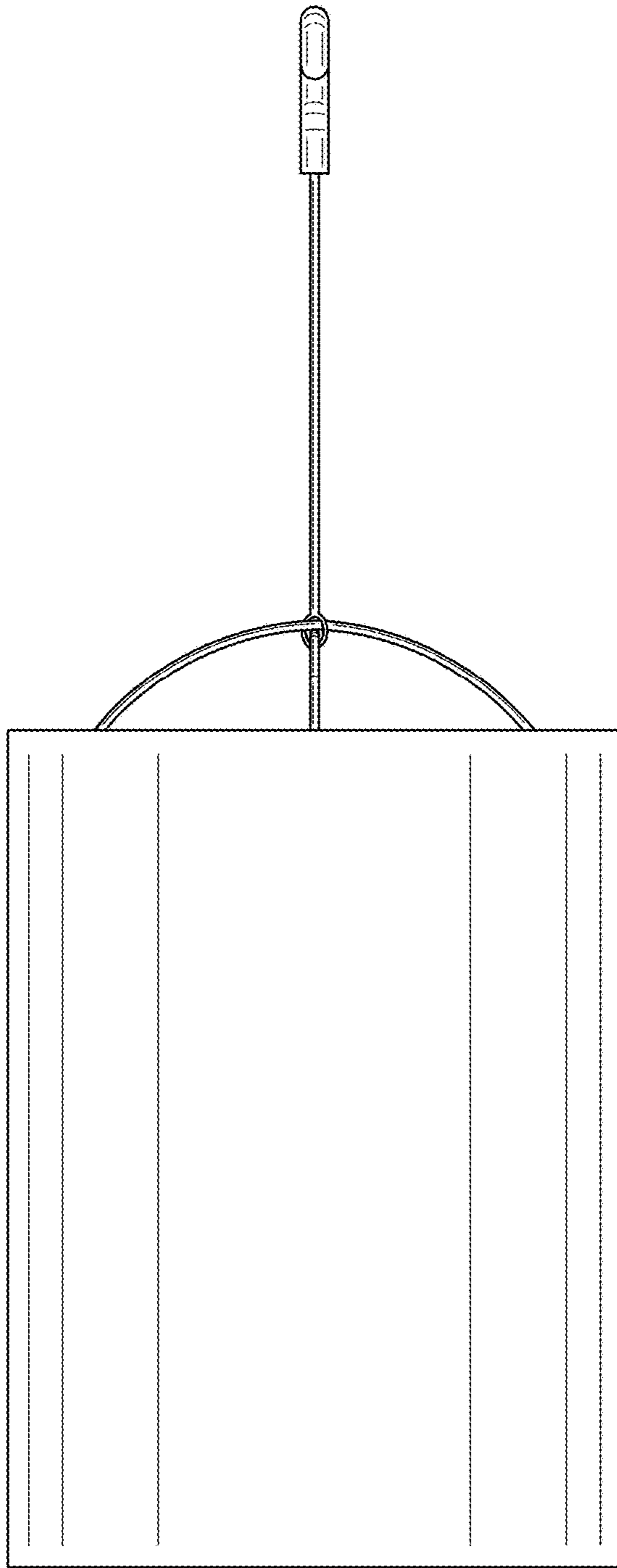


FIG. 3

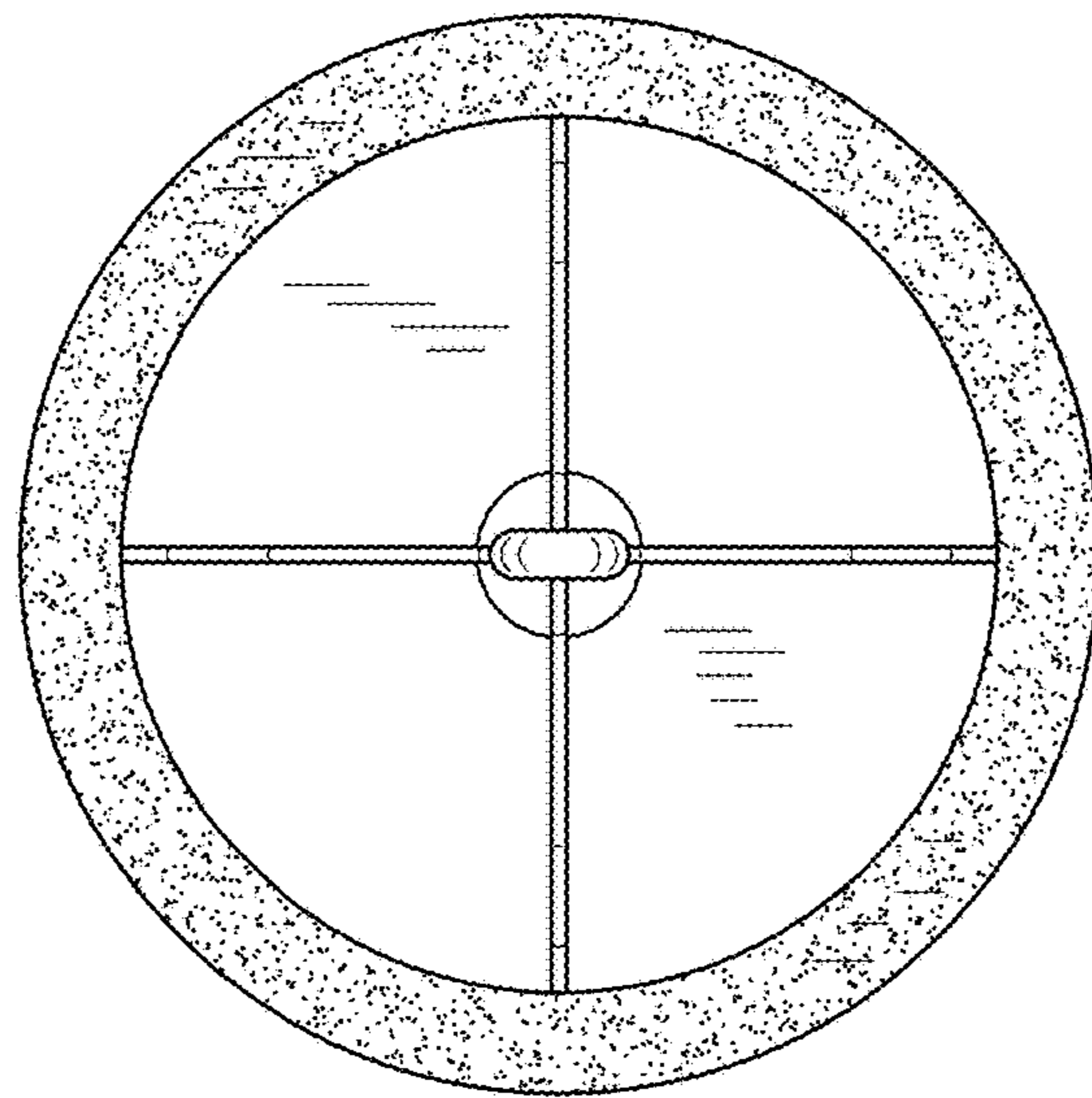


FIG. 4

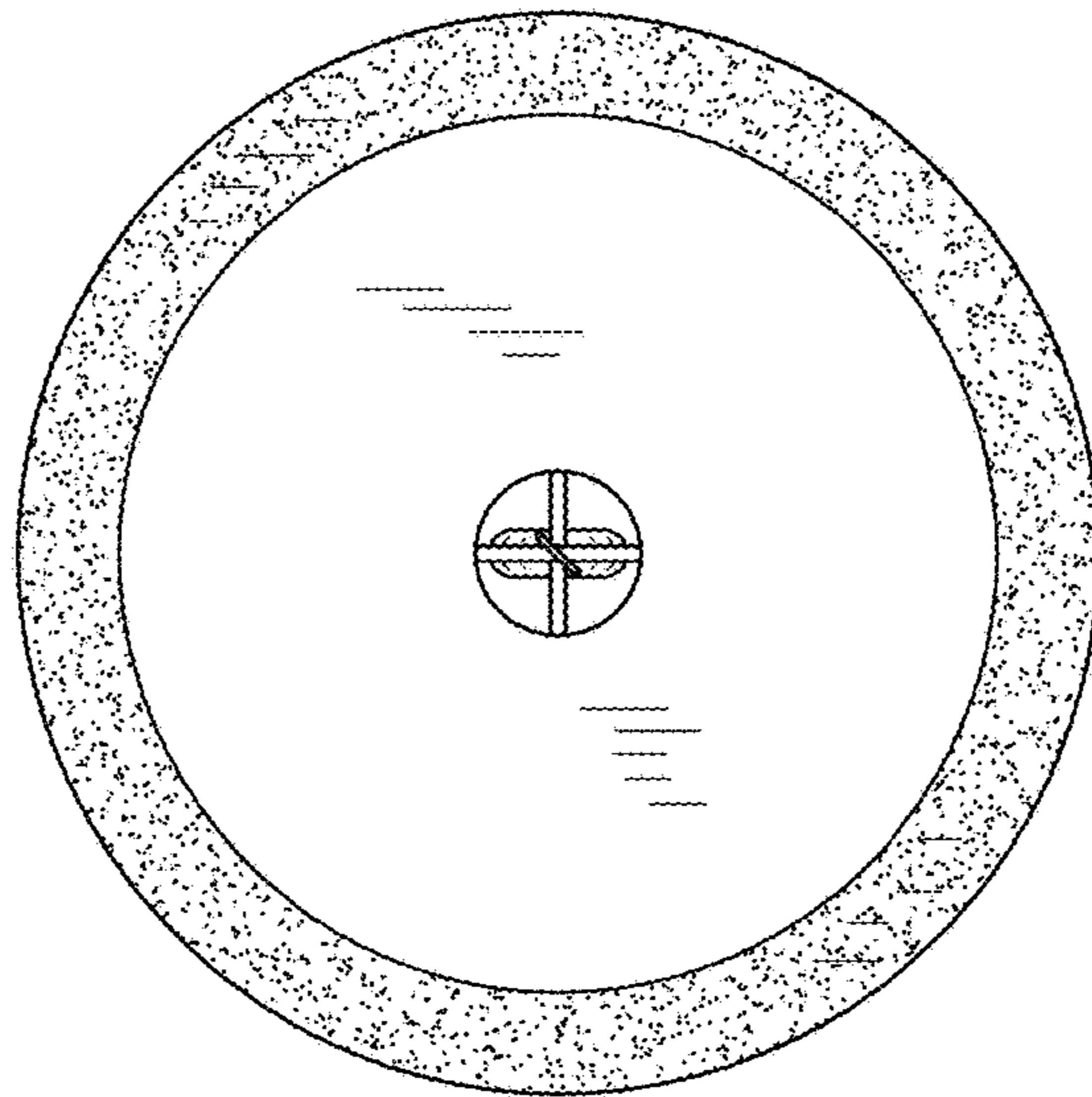


FIG. 5

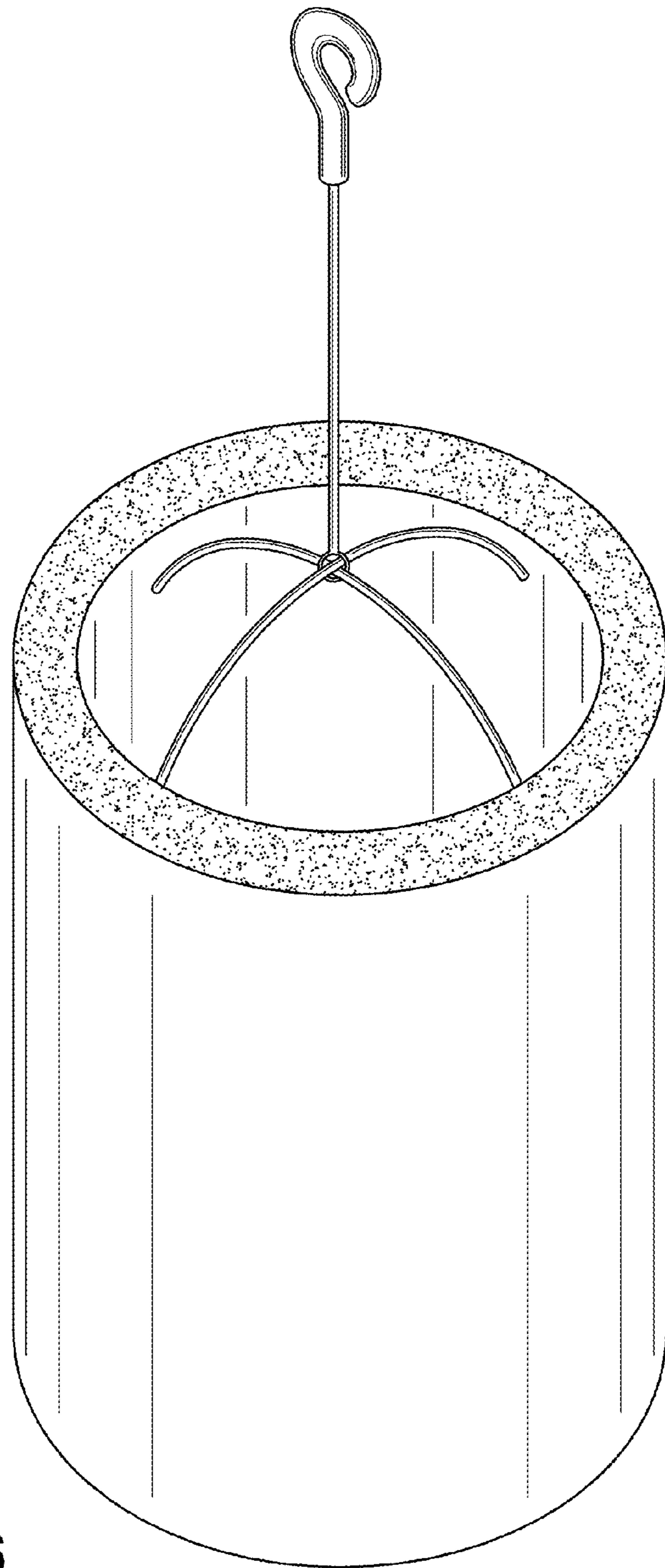


FIG. 6