



US00D804844S

(12) **United States Design Patent** (10) **Patent No.:** **US D804,844 S**
Messacar et al. (45) **Date of Patent:** **** Dec. 12, 2017**

(54) **STORAGE AND DISPENSING SYSTEM FOR A FLEXIBLE BAG**

(71) Applicant: **Scholle IPN Corporation**, Northlake, IL (US)

(72) Inventors: **Peter Messacar**, Elmhurst, IL (US);
Ryan Balock, Westchester, IL (US);
Charles Thurman, Northlake, IL (US)

(73) Assignee: **Scholle IPN Corporation**, Northlake, IL (US)

(**) Term: **15 Years**

(21) Appl. No.: **29/575,013**

(22) Filed: **Aug. 22, 2016**

(51) **LOC (10) Cl.** **06-04**

(52) **U.S. Cl.**
 USPC **D6/512**

(58) **Field of Classification Search**
 USPC D6/512, 515-517, 519-523, 542-545;
 206/225, 233, 389, 391; 211/13.1;
 221/26, 33, 208, 282, 283; 248/309.1,
 248/309.2, 905
 CPC A47K 5/12; A47K 5/1204; A47K 5/1205;
 A47K 5/1207; A47K 5/08; A47K 5/1202;
 A47K 5/1214; A47K 5/1215; A47K 5/14;
 A47K 5/16; A47K 7/04; A47K 10/421;
 A47K 10/426; B67D 1/001; B67D 1/06;
 A47F 2009/044

See application file for complete search history.

(56) **References Cited**

U.S. PATENT DOCUMENTS

D419,803 S *	2/2000	van Bakel	D6/512
D485,461 S *	1/2004	Sams	D6/515
D663,980 S *	7/2012	Bendana	D6/518
D779,228 S *	2/2017	Hamilton, Jr.	D6/523

* cited by examiner

Primary Examiner — Wan Laymon

Assistant Examiner — Mark Booker

(74) *Attorney, Agent, or Firm* — The Watson I.P. Group, PLC; Jovan N. Jovanovic; Vladan M. Vasiljevic

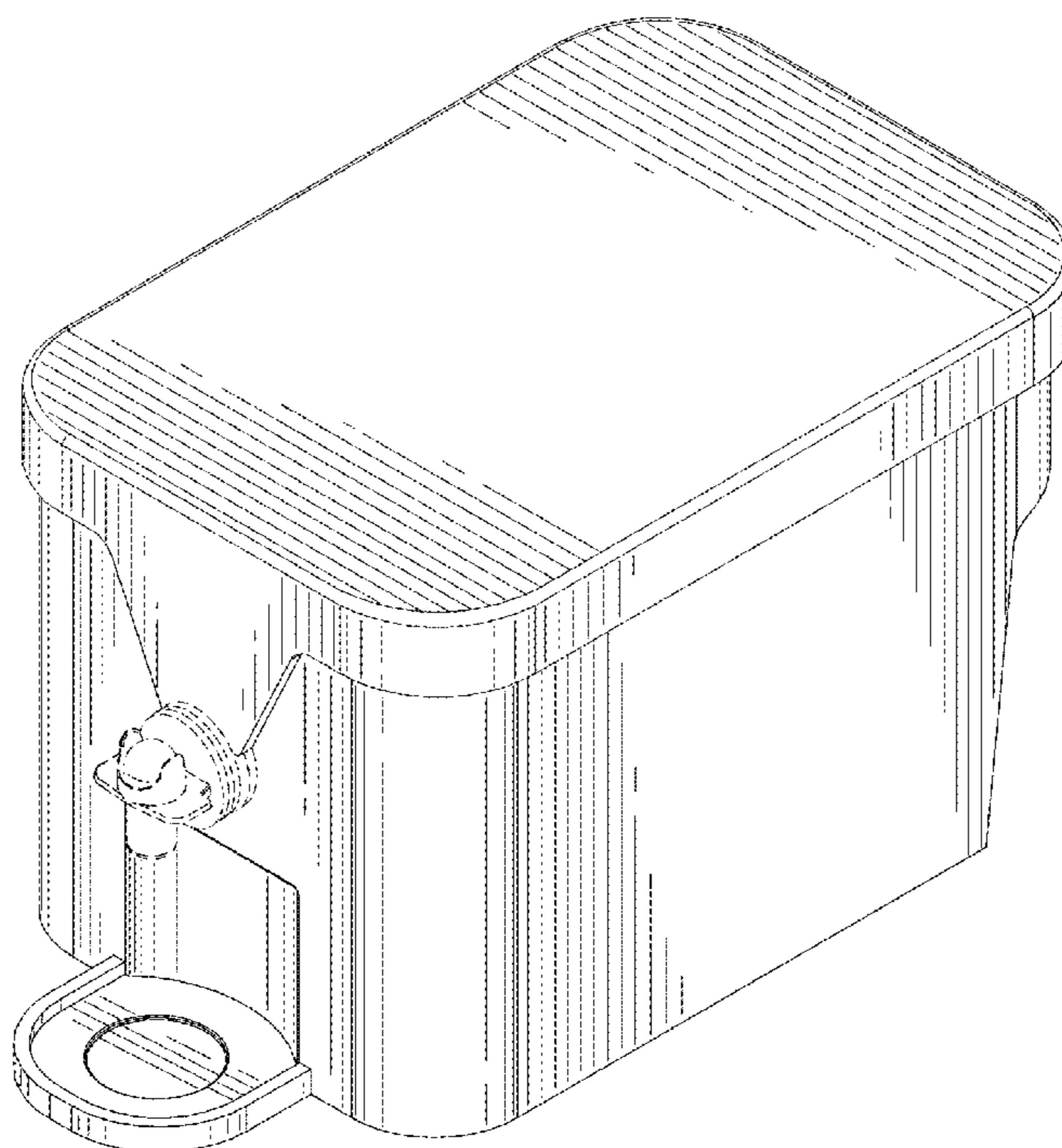
(57) **CLAIM**

The ornamental design for a storage and dispensing system for a flexible bag, as shown and described.

DESCRIPTION

FIG. 1 of the drawings is a front perspective view of the storage and dispensing system for a flexible bag showing, in particular, the ornamental design thereof; FIG. 2 of the drawings is a back perspective view thereof; FIG. 3 of the drawings is a front elevational view thereof; FIG. 4 of the drawings is a back elevational view thereof; FIG. 5 of the drawings is a first side elevational view thereof; FIG. 6 of the drawings is a second side elevational view thereof; FIG. 7 of the drawings is a top plan view thereof; and, FIG. 8 of the drawings is a bottom plan view thereof. The dashed lines show the ornamental design in its environment and form no part of the claimed design.

1 Claim, 8 Drawing Sheets



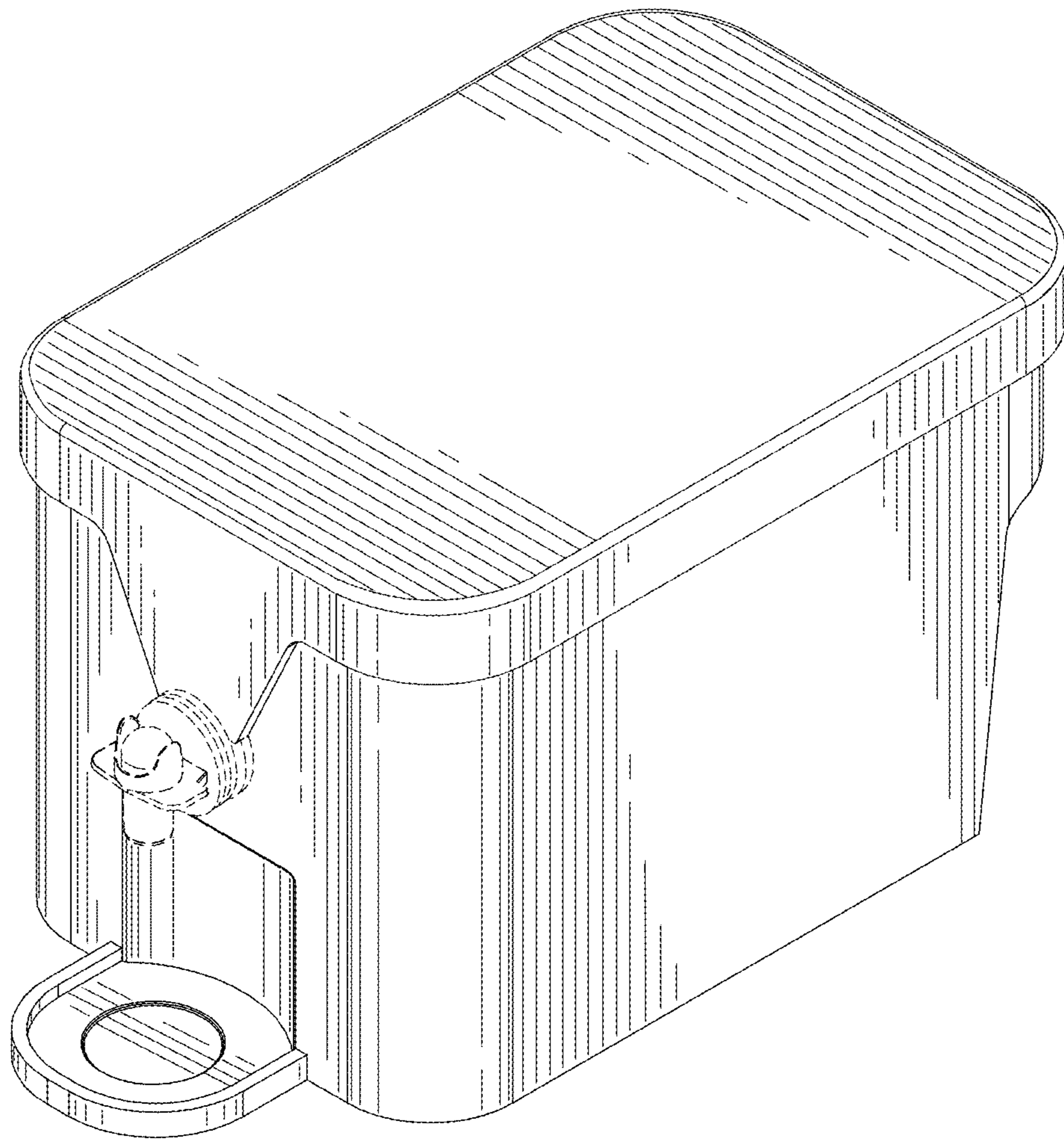


FIG. 1

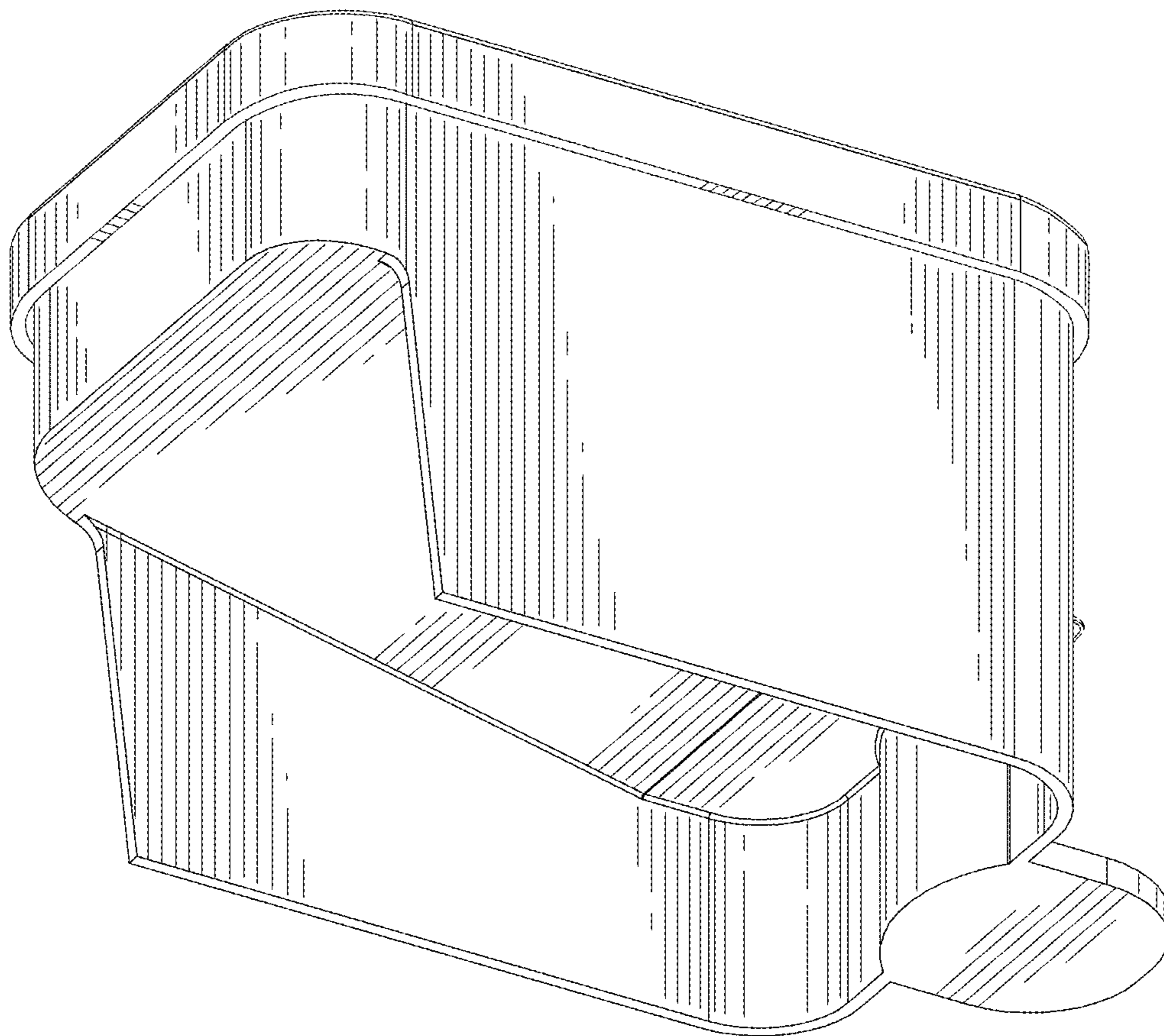


FIG. 2

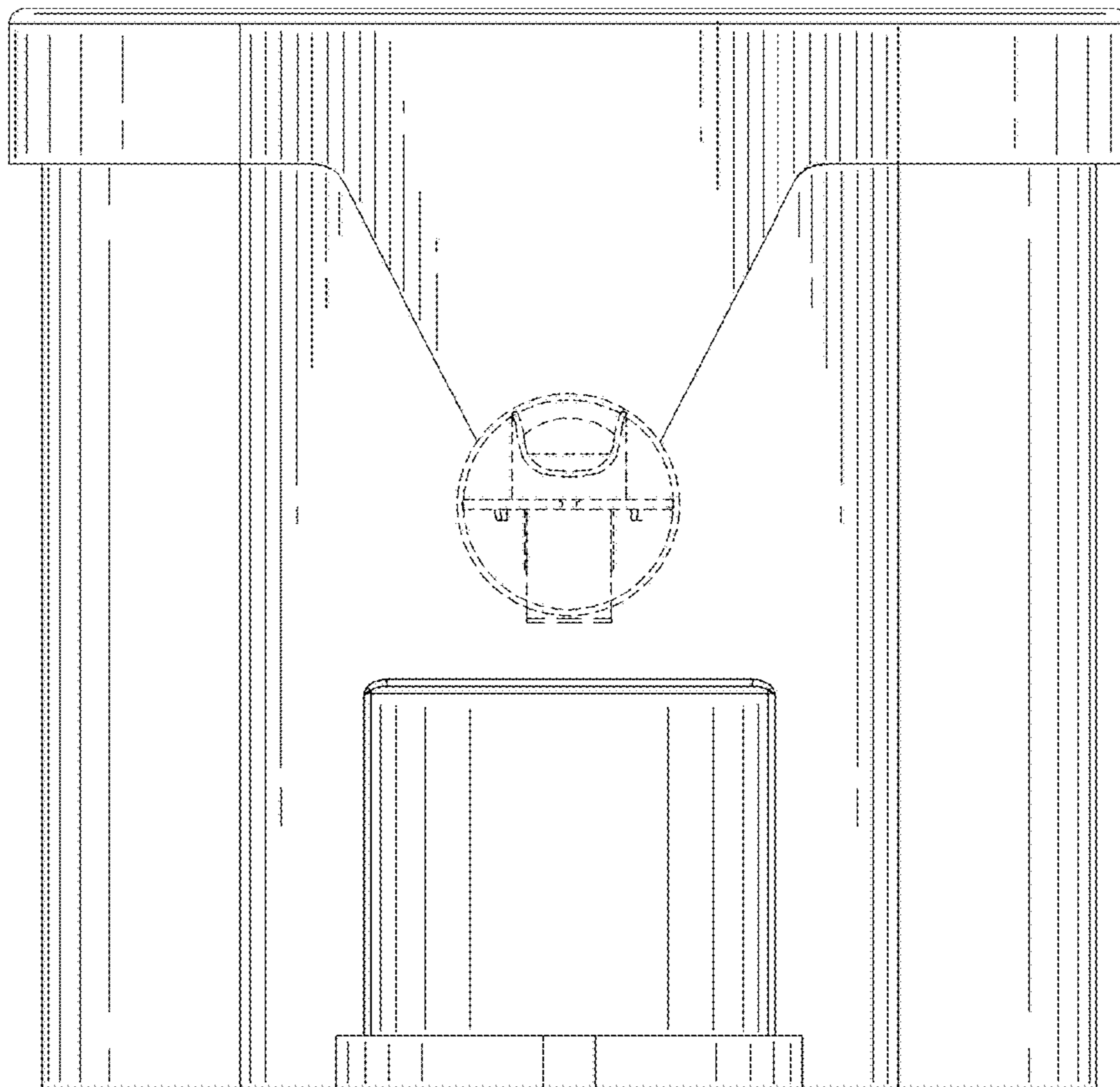


FIG. 3

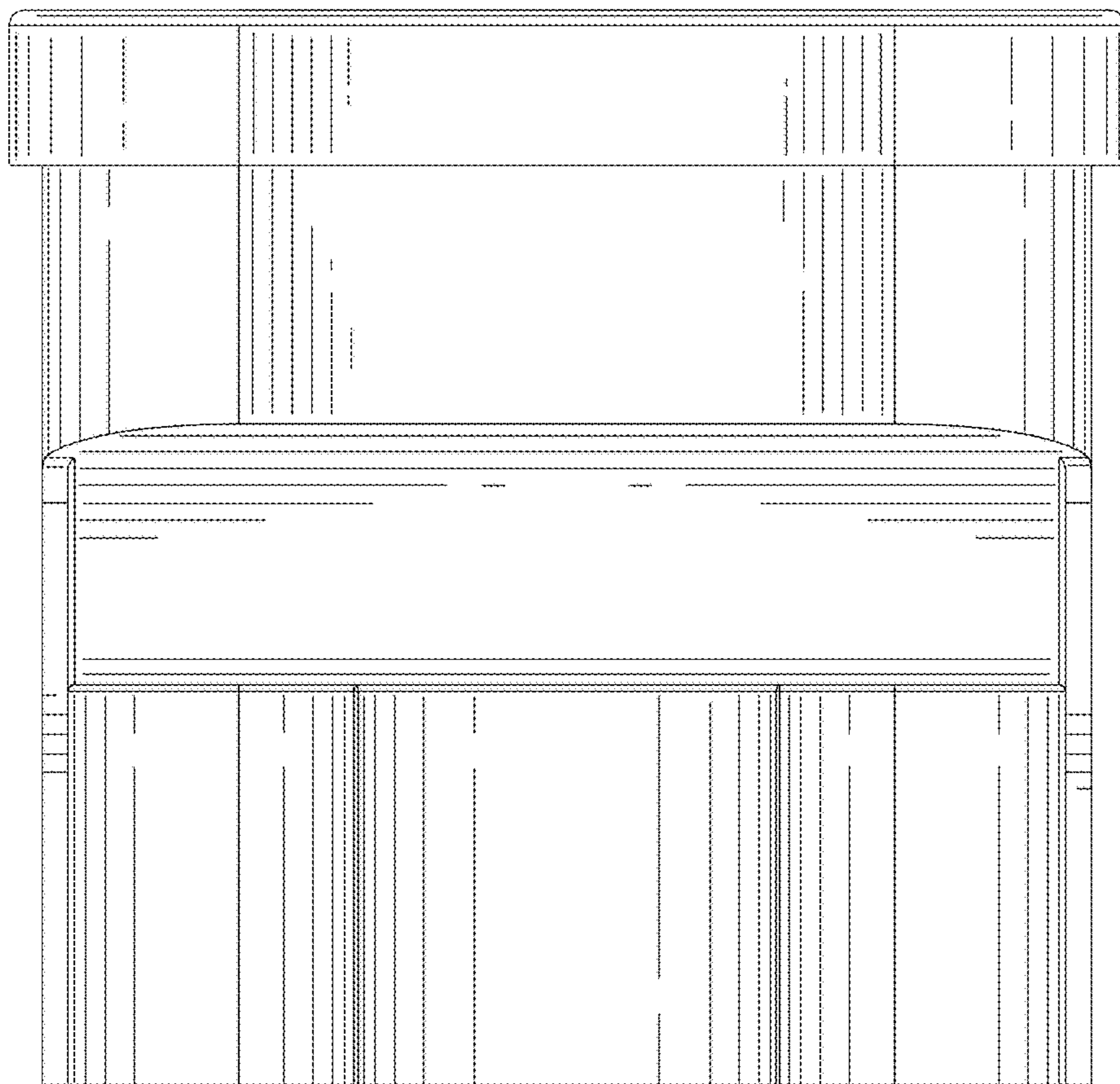


FIG. 4

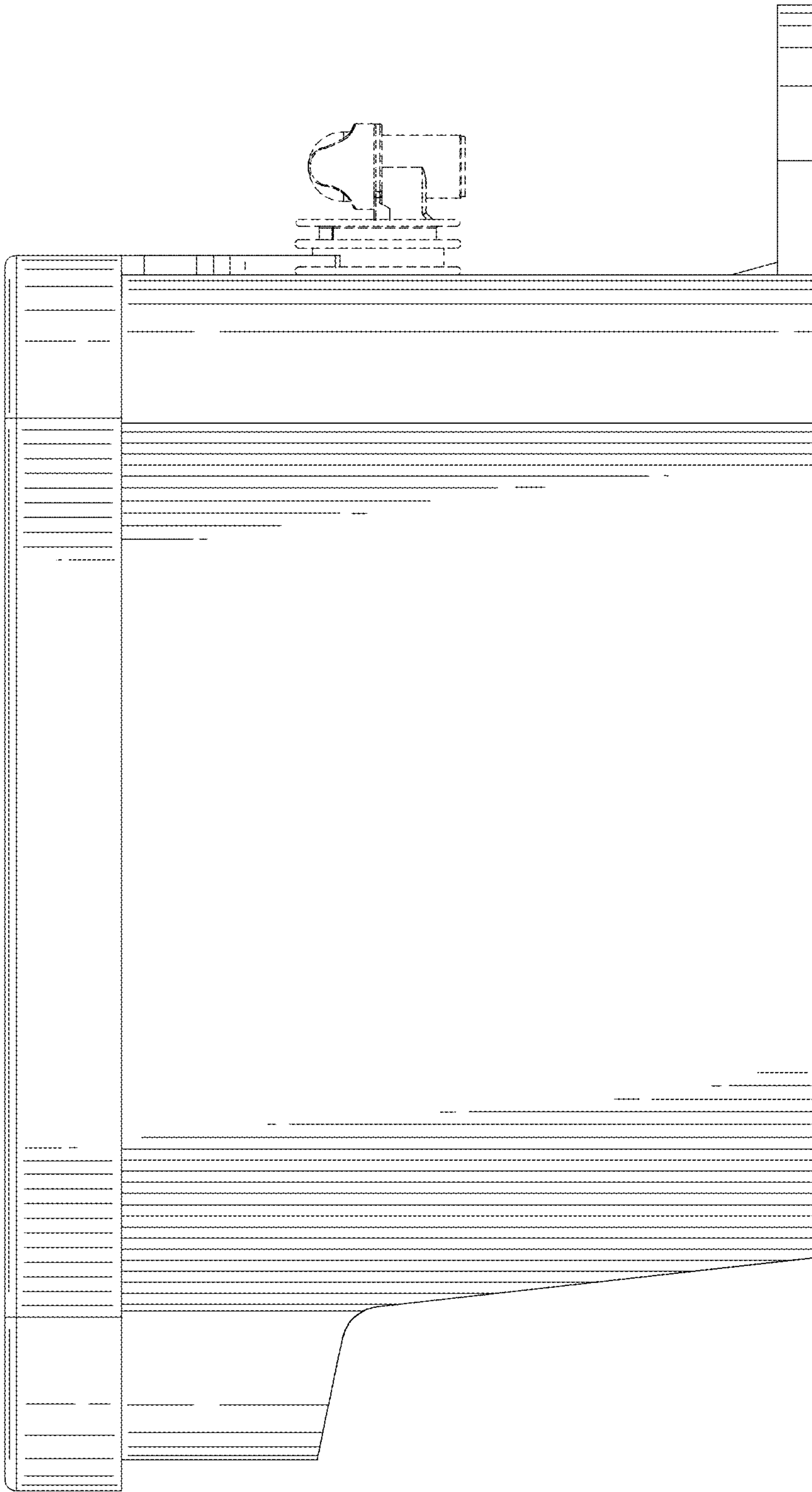


FIG. 5

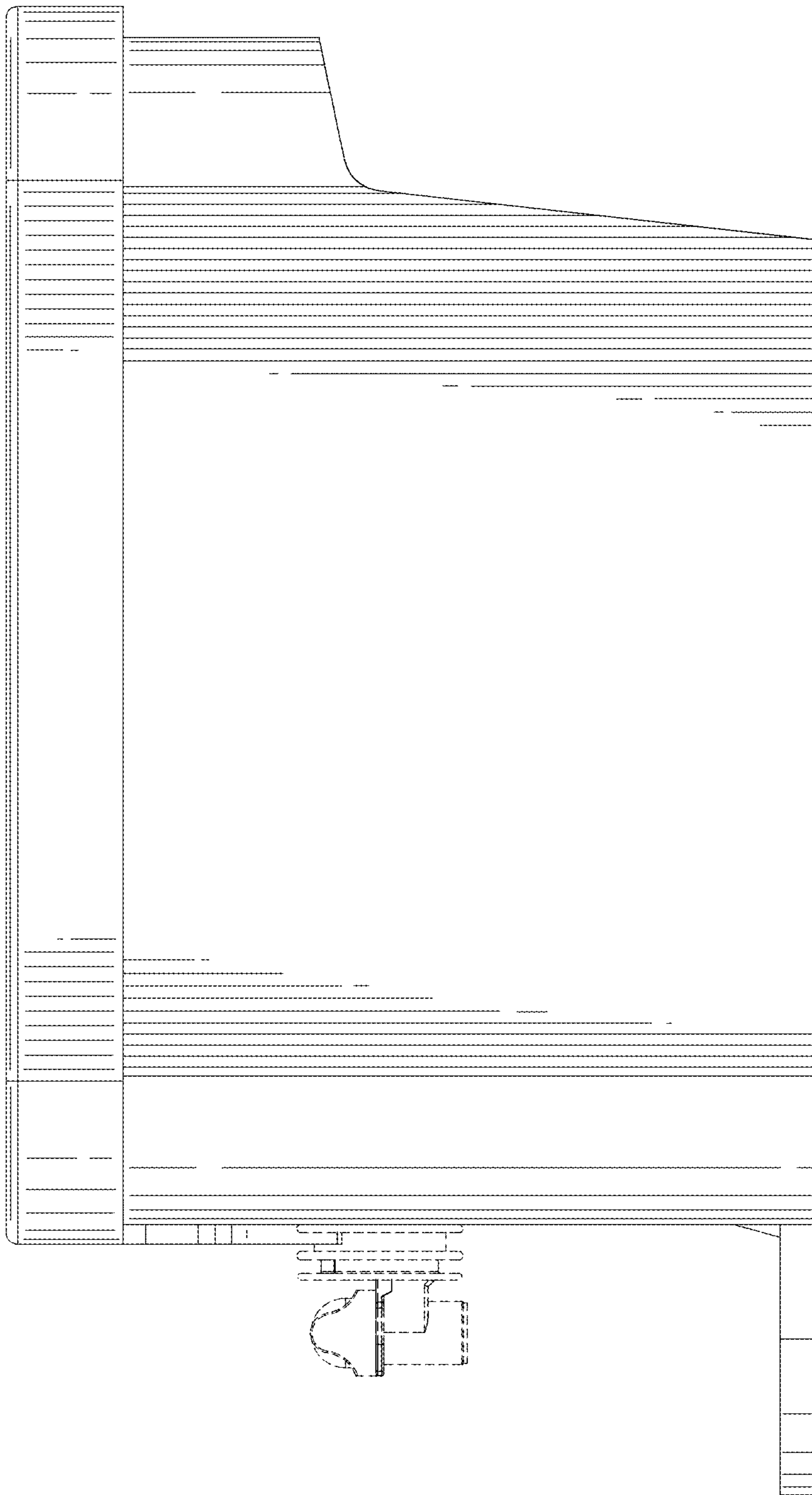


FIG. 6



FIG. 7

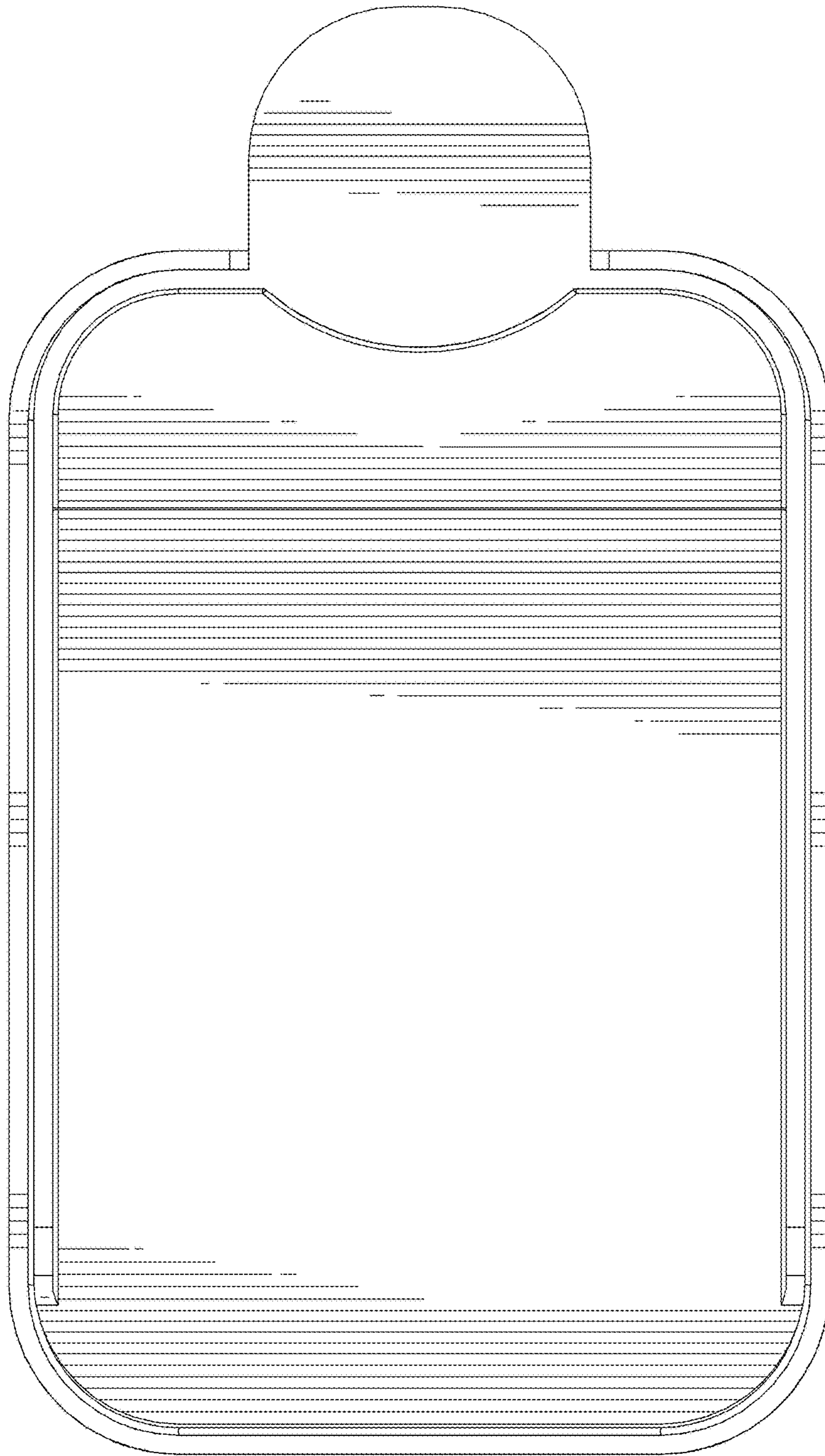


FIG. 8