



US00D804843S

(12) **United States Design Patent**
Urquiola

(10) **Patent No.:** **US D804,843 S**

(45) **Date of Patent:** **** Dec. 12, 2017**

- (54) **SOFA**
- (71) Applicant: **CASSINA S.p.A.**, Meda (MB) (IT)
- (72) Inventor: **Patricia Urquiola**, Milan (IT)
- (73) Assignee: **CASSINA S.P.A.**, Meda (IT)
- (**) Term: **15 Years**
- (21) Appl. No.: **29/585,879**
- (22) Filed: **Nov. 29, 2016**

D400,362 S *	11/1998	Mourgue	D6/334
D543,046 S *	5/2007	Ricci	D6/381
D597,338 S *	8/2009	Scagliusi	D6/381
D597,761 S *	8/2009	Natuzzi	D6/381
D606,325 S *	12/2009	Gharabegian	D6/334
D615,315 S *	5/2010	Andersen	D6/367
D615,317 S *	5/2010	Andersen	D6/367
D699,451 S *	2/2014	Beucler	D6/334
D702,452 S *	4/2014	Beucler	D6/381
D725,931 S *	4/2015	Lievore	D6/381
D740,583 S *	10/2015	Nigro	D6/375
D753,408 S *	4/2016	Lade	D6/381
D770,191 S *	11/2016	Bouhaniche	D6/334
D785,955 S *	5/2017	Jourdan	D6/334
D785,963 S *	5/2017	Podsiadlo	D6/374

(30) **Foreign Application Priority Data**

May 30, 2016 (EP) 003160860-0001

(51) **LOC (10) Cl.** **06-01**

(52) **U.S. Cl.**
USPC **D6/381**

(58) **Field of Classification Search**

CPC A47C 7/00; A47C 7/62; A47C 7/18; A47C
7/54; A47C 4/00; A47C 4/028; A47C
4/28; A47C 3/16; A47C 3/04; A47C 3/12;
A47C 1/02; A47C 1/14

See application file for complete search history.

(56) **References Cited**

U.S. PATENT DOCUMENTS

D278,581 S *	4/1985	Melchior	D6/334
D293,630 S *	1/1988	Stewart	D6/334

* cited by examiner

Primary Examiner — Deanna L Pratt

(74) *Attorney, Agent, or Firm* — Hogan Lovells US LLP

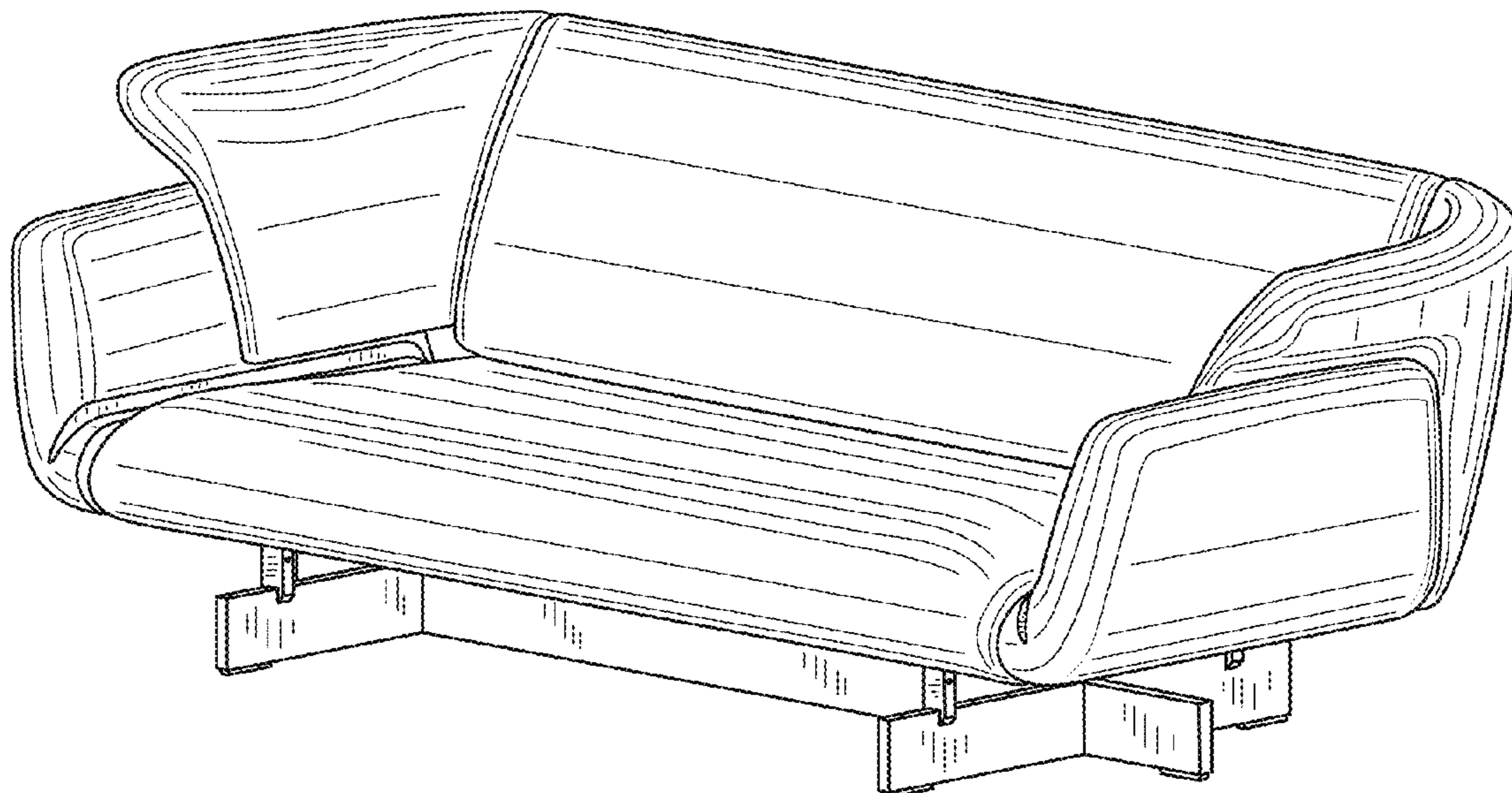
(57) **CLAIM**

The ornamental design for a sofa, as shown and described.

DESCRIPTION

FIG. 1 is a perspective view of a sofa showing the design;
FIG. 2 is a front view thereof;
FIG. 3 is a back view thereof;
FIG. 4 is a right side view thereof;
FIG. 5 is a left side view thereof;
FIG. 6 is a top view thereof; and,
FIG. 7 is a bottom view thereof.

1 Claim, 6 Drawing Sheets



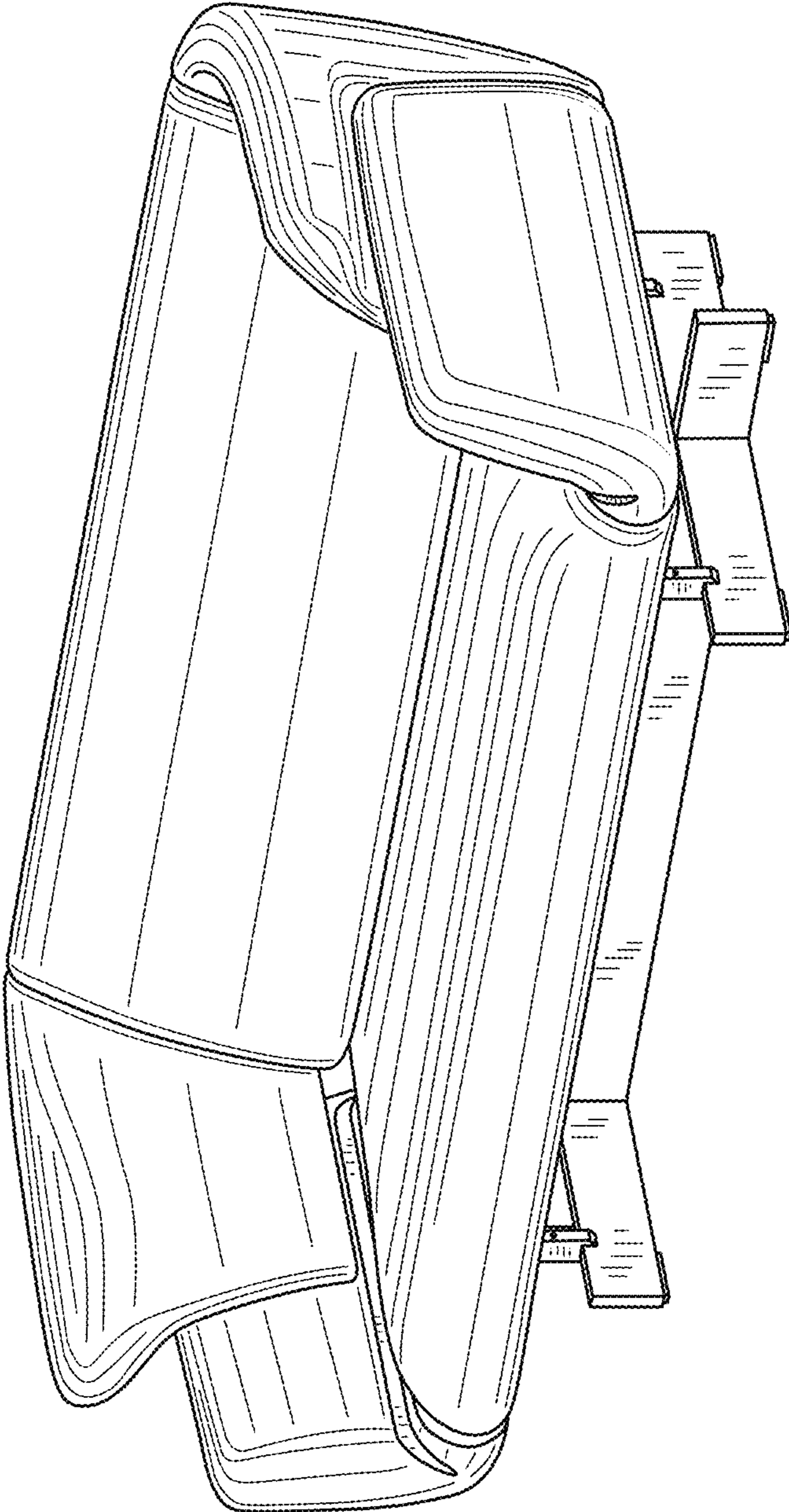


FIG.1

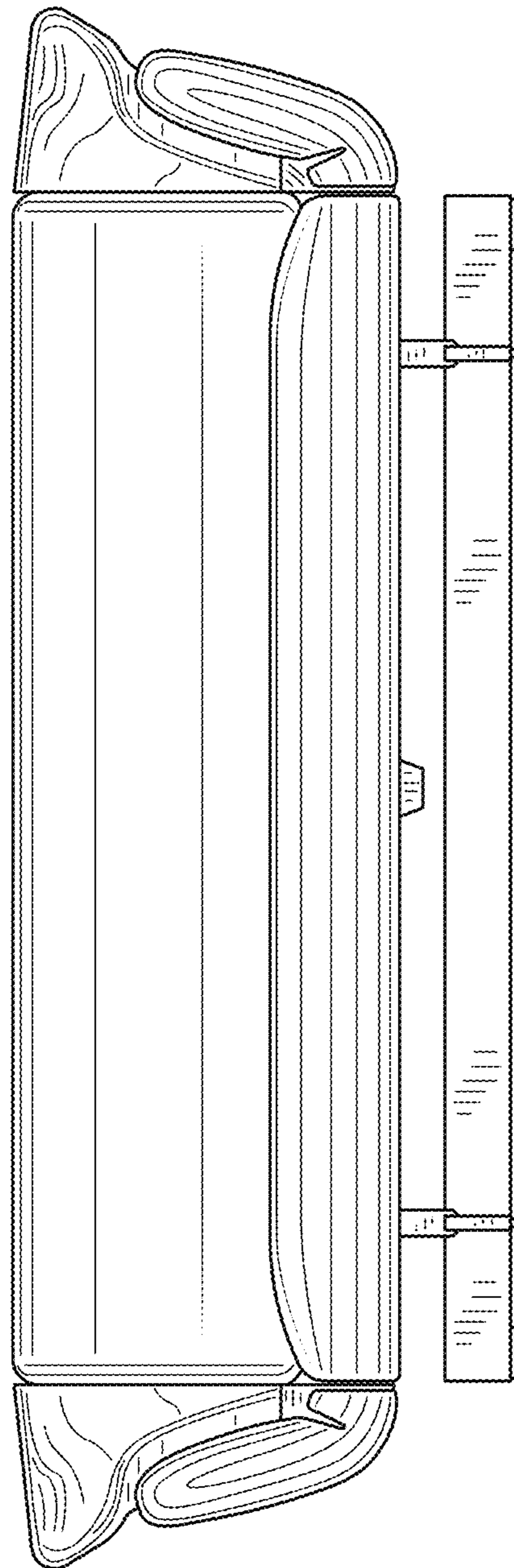


FIG.2

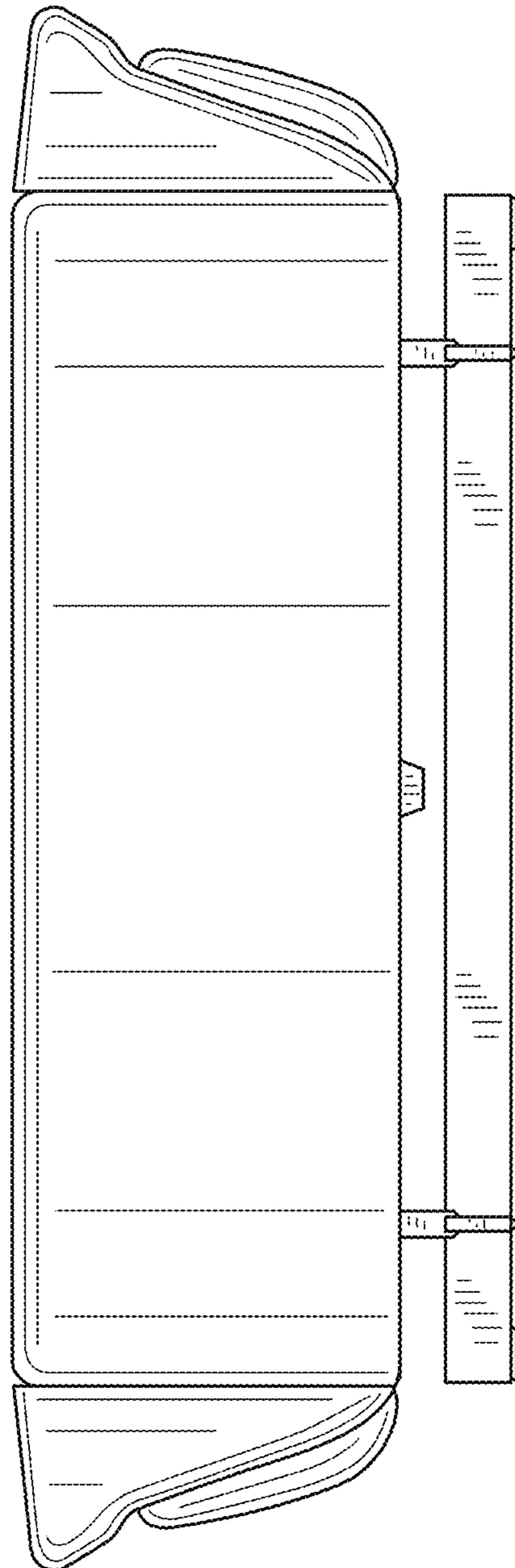


FIG.3

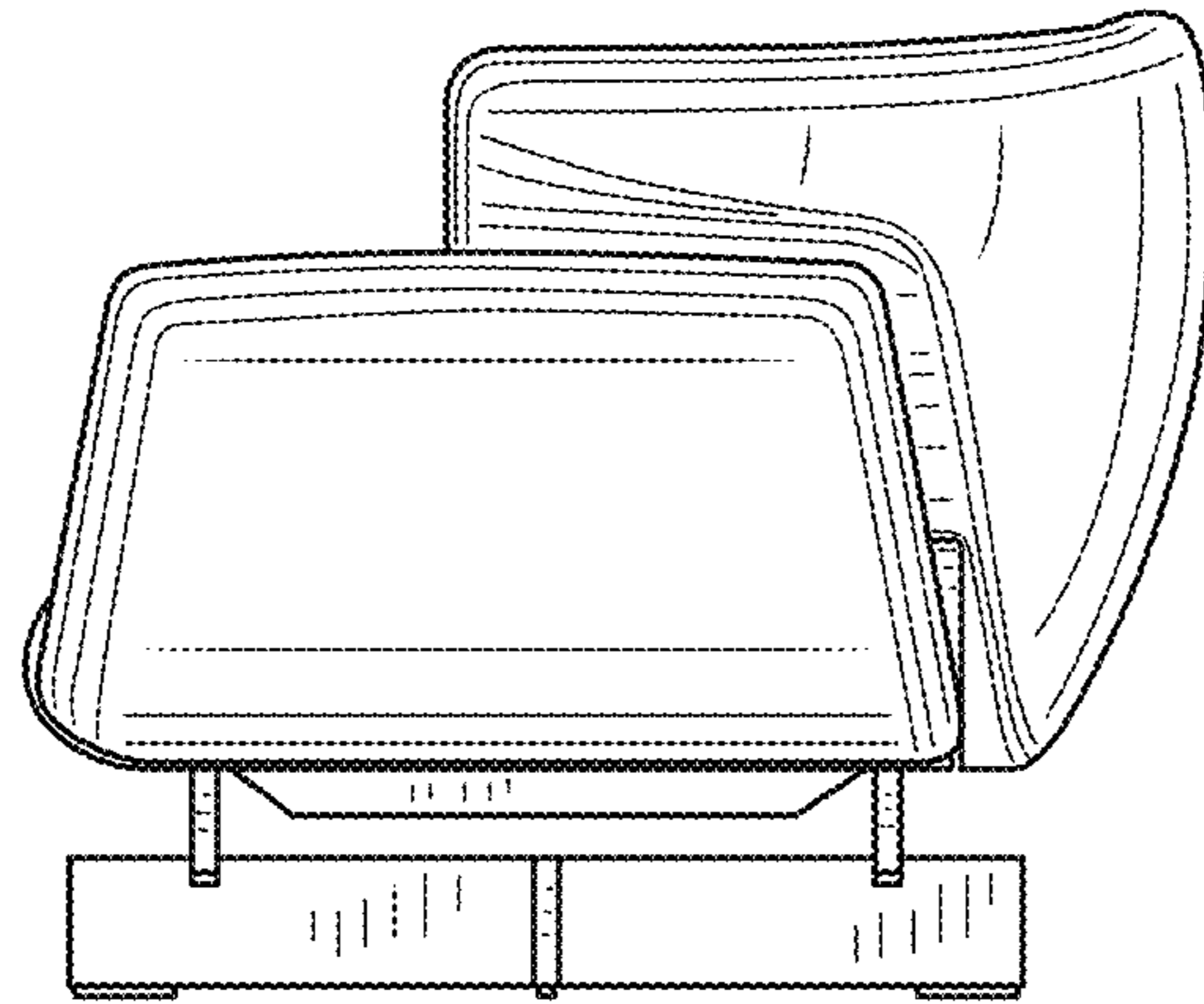


FIG. 4

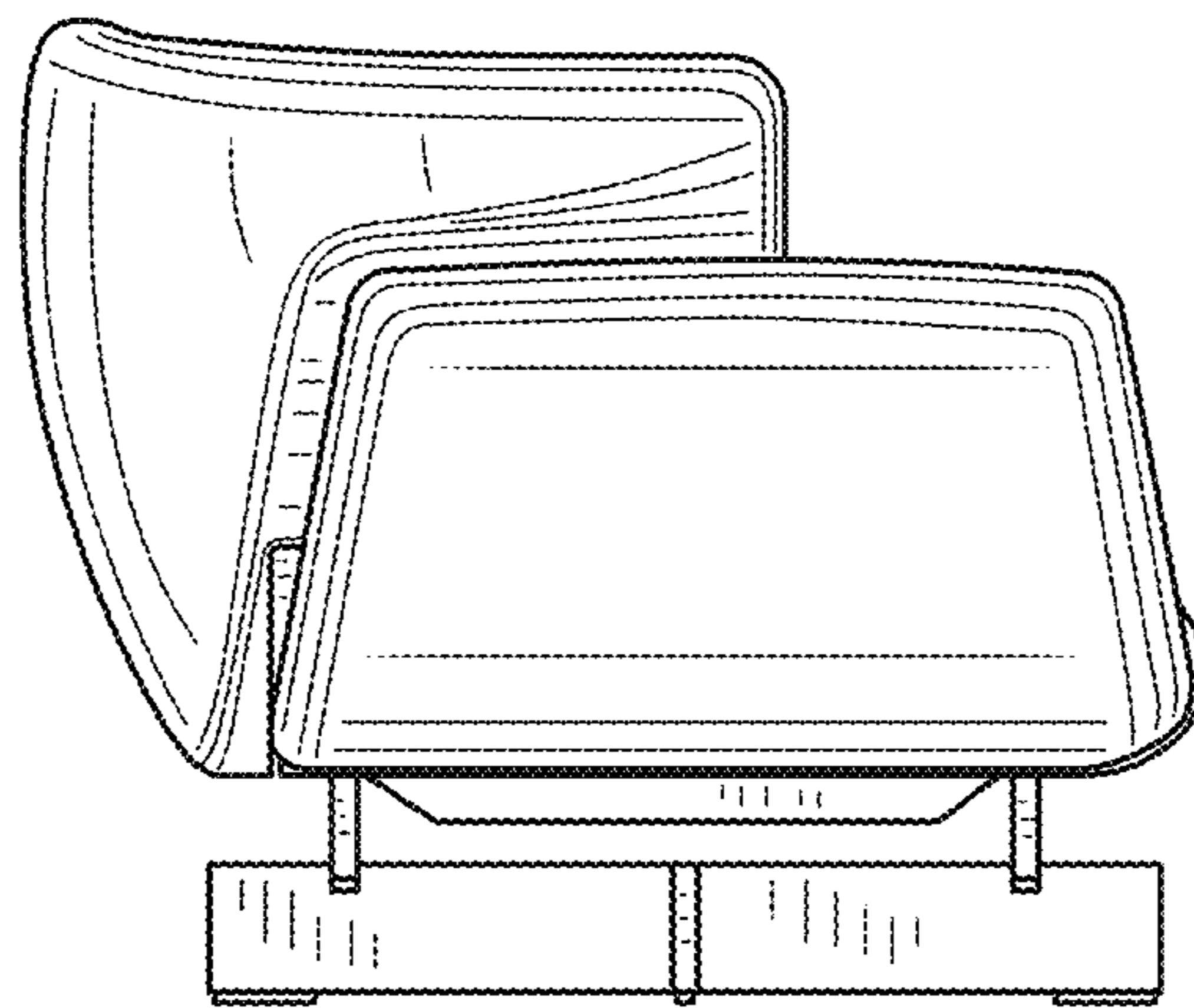


FIG. 5

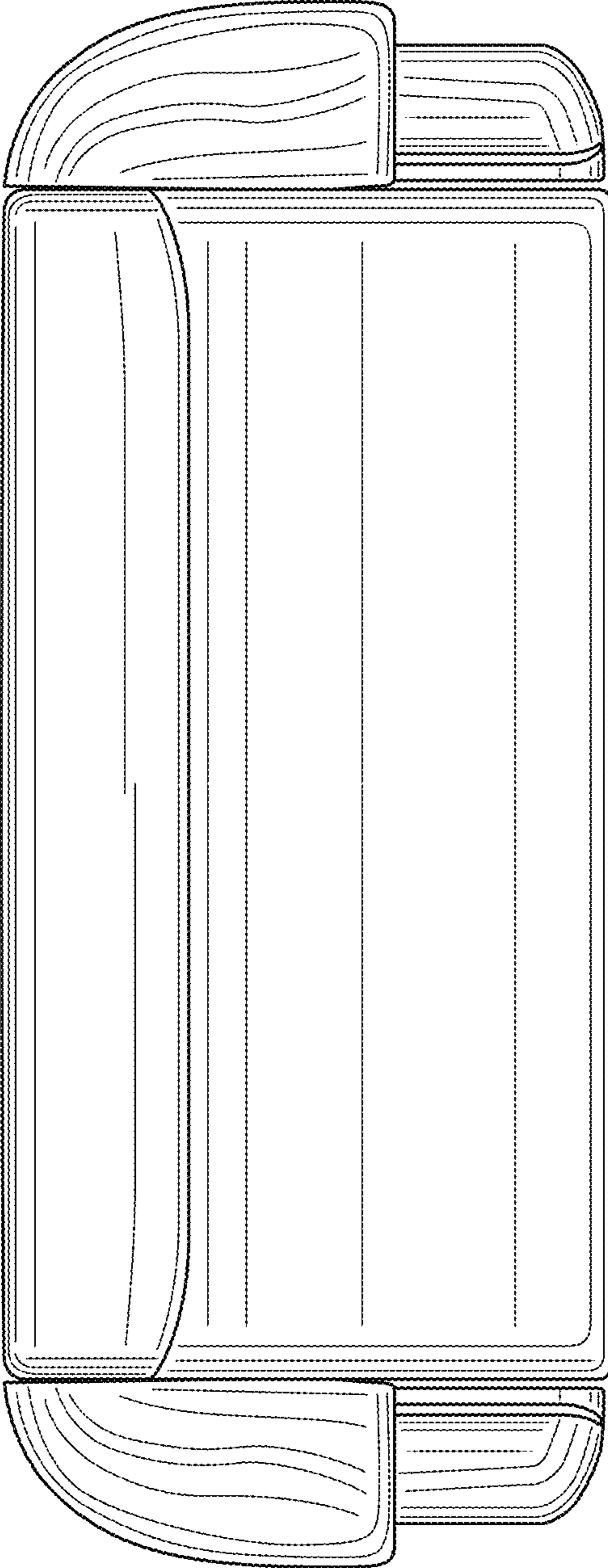


FIG.6

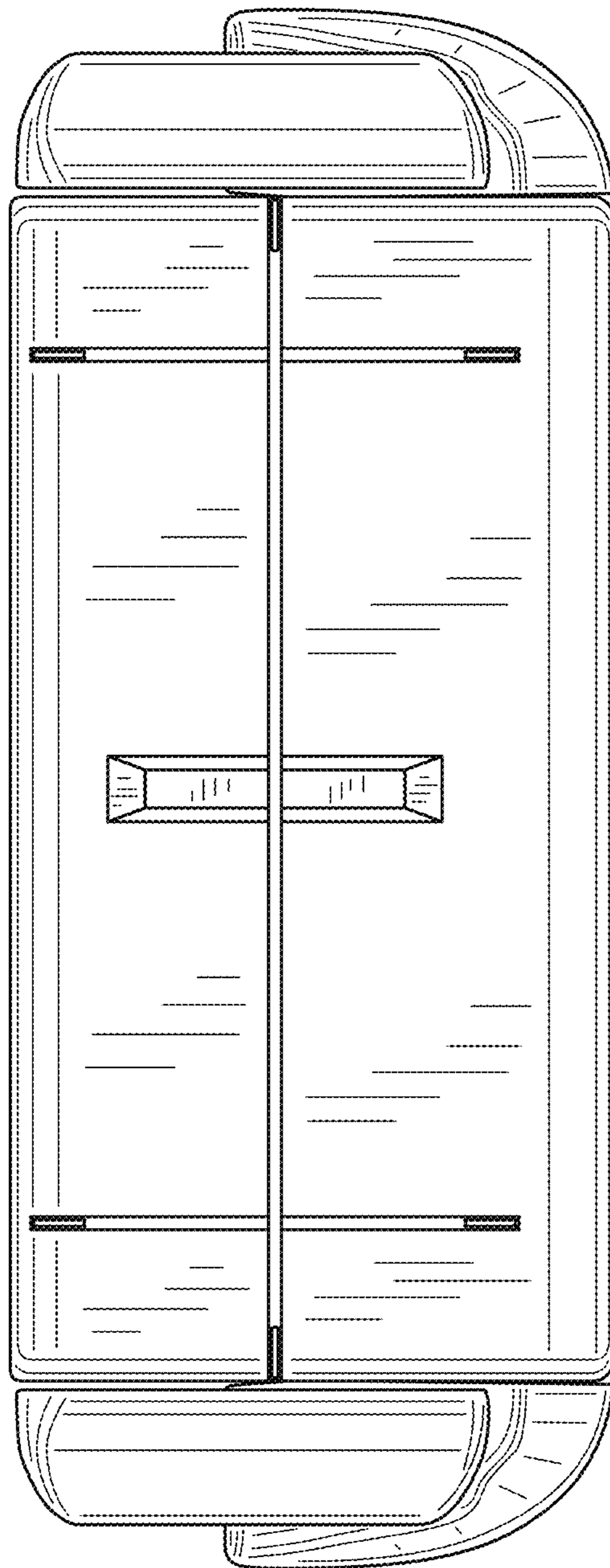


FIG.7